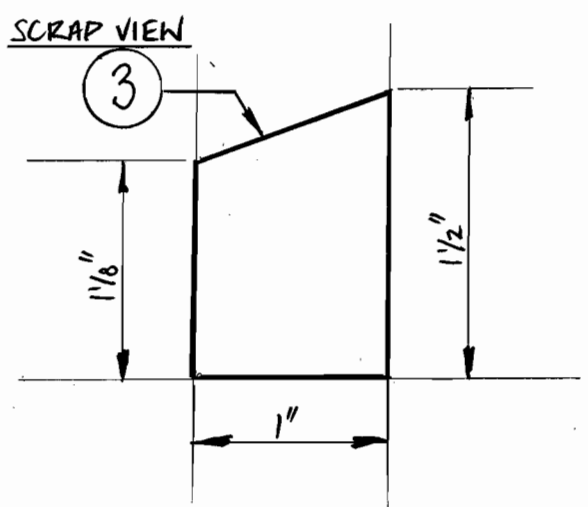
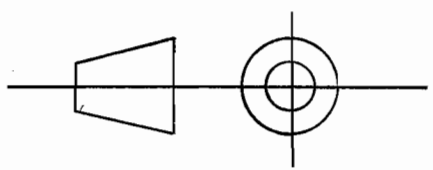


PART	DESCRIPTION
①	BASE PLATE
②	ANGLE BRACKET
③	SUPPORT PIECE

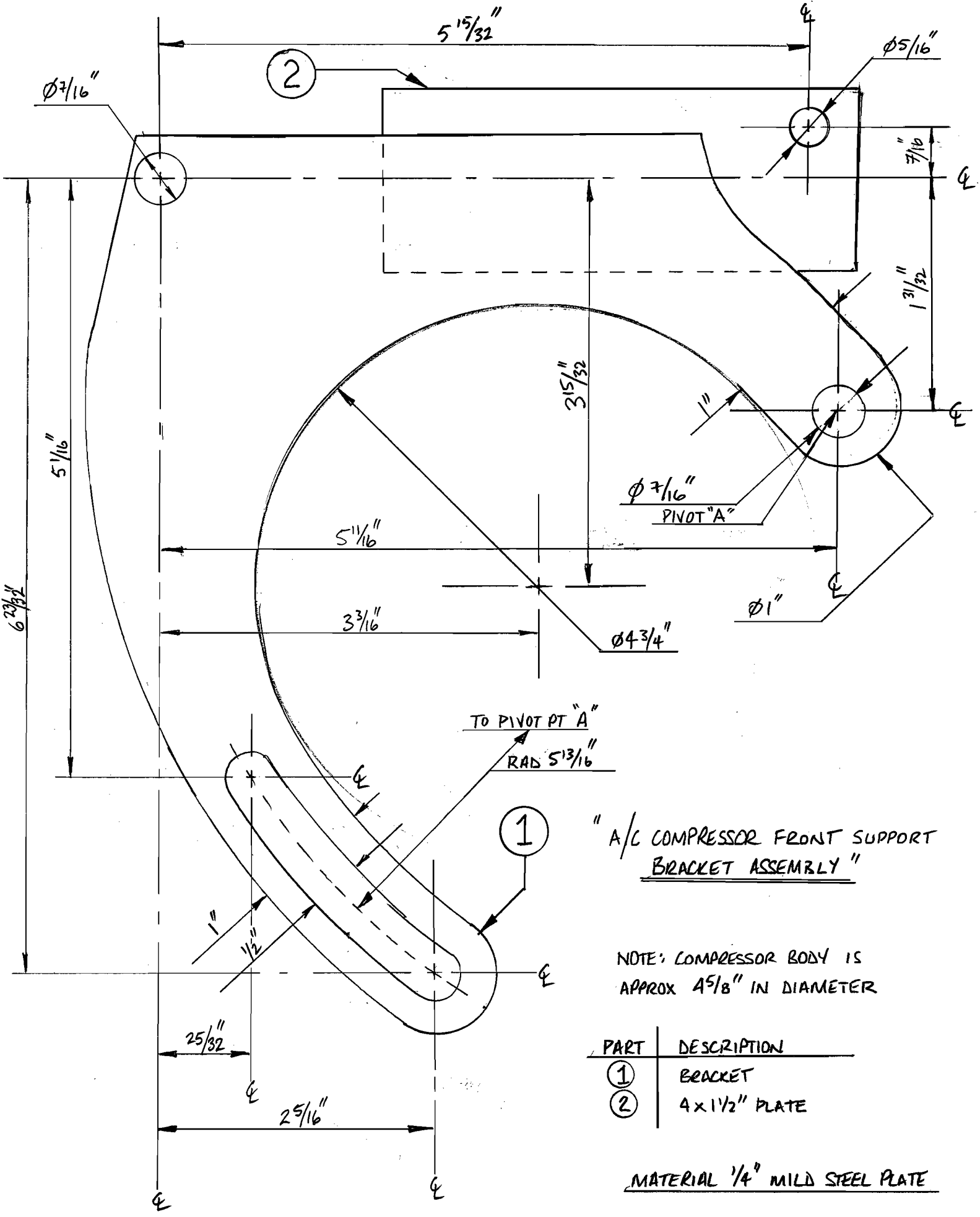
NOTE: USE REF DIMENSIONS (x^x/_x) TO CONSTRUCT PART ②, USE DIMENSIONS ①, ② & ③ TO ALIGN PARTS ① & ② ACCURATELY. TACK WELD AND ADJUST BEFORE COMPLETING WELDS.



MATERIAL 1/4" MILD STEEL PLATE

"A/C COMPRESSOR REAR SUPPORT BRACKET ASSEMBLY"

© SIMON LACEY 2006



" A/C COMPRESSOR FRONT SUPPORT BRACKET ASSEMBLY "

NOTE: COMPRESSOR BODY IS APPROX 4 5/8" IN DIAMETER

PART	DESCRIPTION
①	BRACKET
②	4 X 1 1/2" PLATE

MATERIAL 1/4" MILD STEEL PLATE

