

LUCAS

SECTION

B

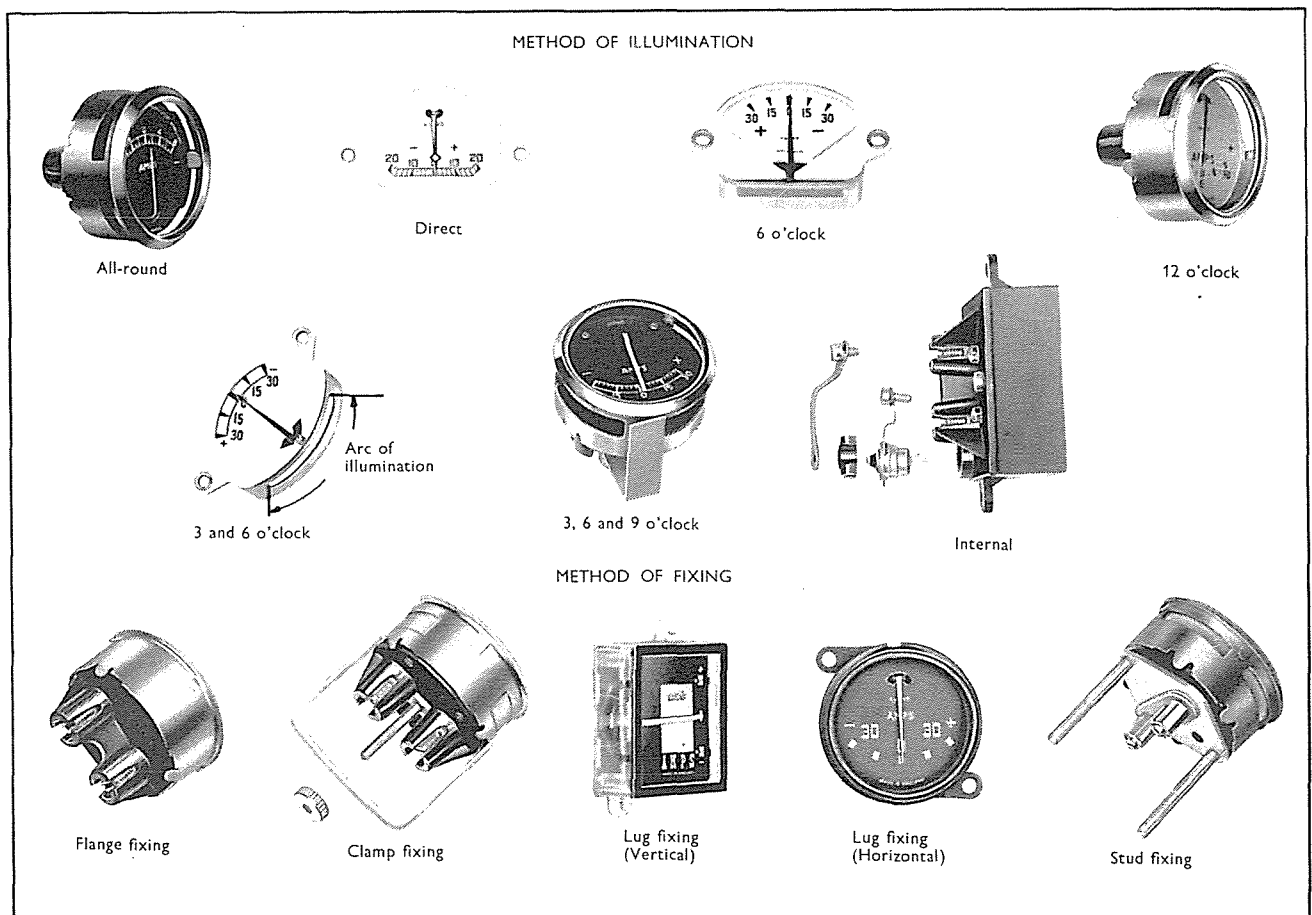
AMMETERS, BATTERY PARTS CABLE SUNDRIES, 'LUCAR' CONNECTORS

AMMETERS

Model Interpretation

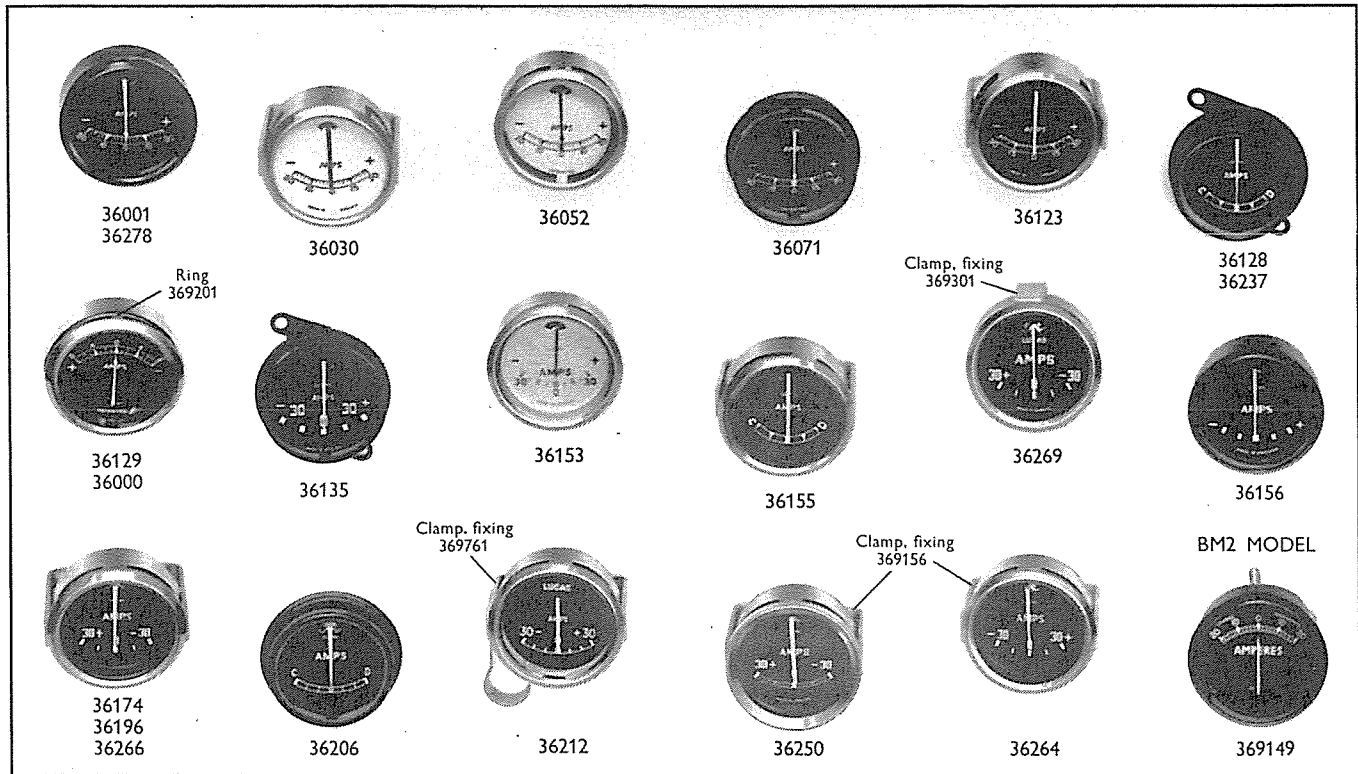
The symbols making up the model indicate the characteristics of each ammeter, i.e., CZU55—centre zero, universal movement, rectangular body.

- | | | | |
|-----|--|-----|--|
| BM. | Base moulded. | 20. | 'D' shaped. |
| 2. | Round, approx. 2" diameter; third brush control circuits; undamped movement. | 21. | Oval dial; shallow body. |
| 4. | Round, approx. 2" diameter; voltage control circuits; damped movement. | 26. | Round, 1 $\frac{5}{8}$ " diameter; 30 amp. |
| 11. | Square, approx. 2 $\frac{1}{2}$ ". | 27. | Round, 1 $\frac{5}{8}$ " diameter; 8 amp. |
| CZ. | Centre zero. | 34. | Die-cast case. |
| U. | Universal movement. | 36. | Special movement. |
| 16. | Round dial, shallow body. | 55. | Rectangular shaped. |
| | | 60. | Round dial; internal illumination. |
| | | 61. | Square shaped; internal illumination. |





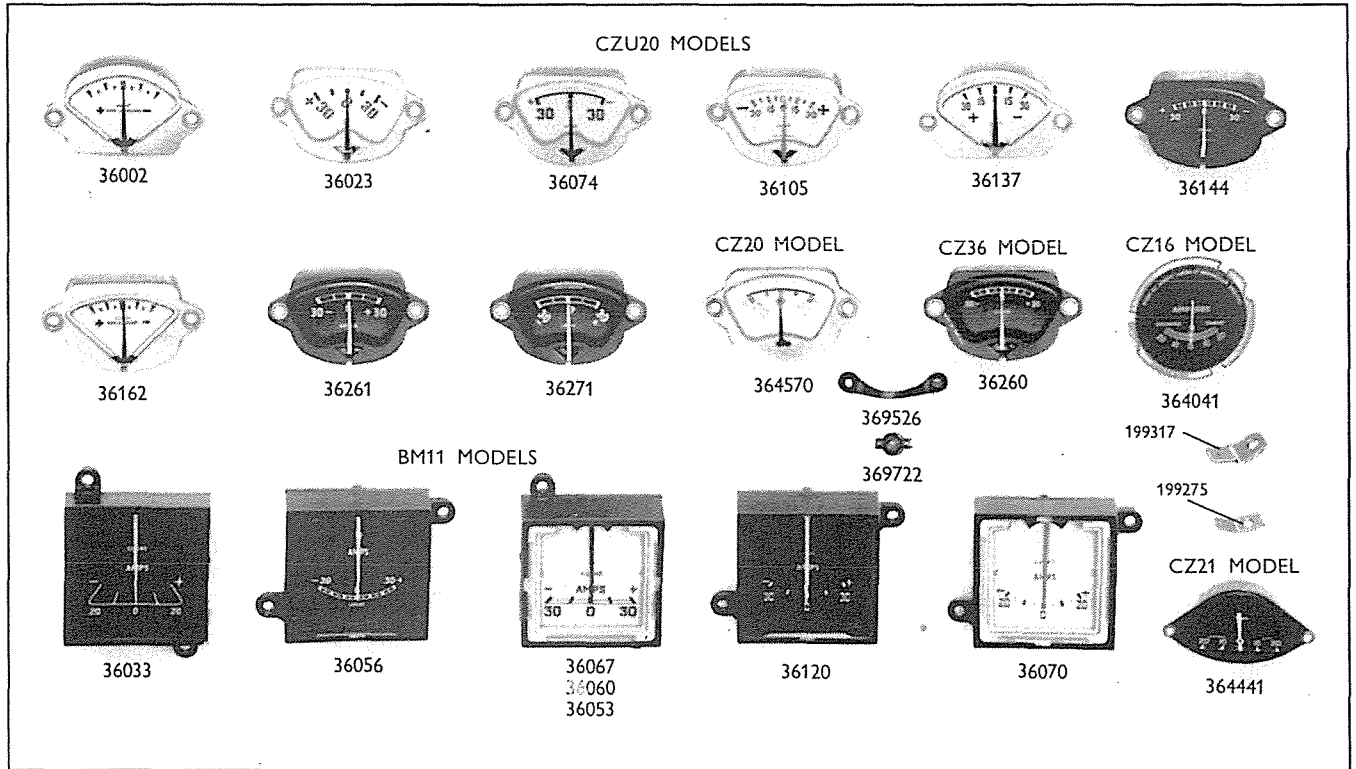
BM2 AND BM4 MODELS



Part No.	Model	Dial Characteristics			Illumination	Rim Finish	Special Features
		Reading	Colour	Printing			
36000	BM4	8-0-8	Black	White	All round	Black	Suitable for motor cycles.
36001	BM4	30-0-30	Black	White	All round	Chrome	—
36030	BM4	30-0-30	Cream	Brown	3, 6, 9 o'clock	Chrome	Clamp fixing. Suitable for wood panels.
36052	BM4	20-0-20	Ivory	Black	6 o'clock	Chrome	—
36071	BM4	30-0-30	Black	White	All round	Black	—
36123	BM4	30-0-30	Black	White	Direct	Chrome	Clamp fixing; metal panels.
36128	BM4	C - D	Black	White	All round	Black	Lug fixing.
36129	BM4	8-0-8	Black	White	12 o'clock	Chrome	Waterproof. Suitable for motor cycles.
36135	BM4	30-0-30	Black	White	All round	Black	Lug fixing.
36153	BM4	30-0-30	Green	Black	12 o'clock	Chrome	Green lighting.
36155	BM4	C - D	Black	White	12 o'clock	Chrome	Clamp fixing; wood panels.
36156	BM4	— —	Black	White	Direct	Black	—
36174	BM4	30-0-30	Black	White	12 o'clock	Chrome	Clamp fixing; metal panels
36196	BM4	30-0-30	Black	White	All round	Black	Clamp fixing.
36206	BM4	C - D	Black	White	All round	Black	Red tipped needle, green illumination.
36212	BM4	30-0-30	Black	White	All round	Chrome	Clamp fixing; metal panels; with bulb holder bracket.
36237	BM4	C - D	Black	White	3, 9 o'clock	Black	Lug fixing. Similar to 36128.
36250	BM4	30-0-30	Black	White	All round	Chrome	With Lucar connections.
36264	BM4	30-0-30	Black	White	12 o'clock	Chrome	Clamp fixing; Lucar connections.
36266	BM4	30-0-30	Black	White	12 o'clock	Black	Clamp fixing.
36269	BM4	30-0-30	Black	White	All round	Chrome	Clamp fixing; terminal adaptor pins.
36278	BM4	30-0-30	Black	White	6 o'clock	Chrome	With Lucar connections.
369149	BM2	20-0-20	Black	White	All round	Black	Long fixing studs.

Note.—The Ordering No. of each instrument is marked on the case.

BM11, CZ16, CZ20, CZ21, CZ36 AND CZU20 MODELS

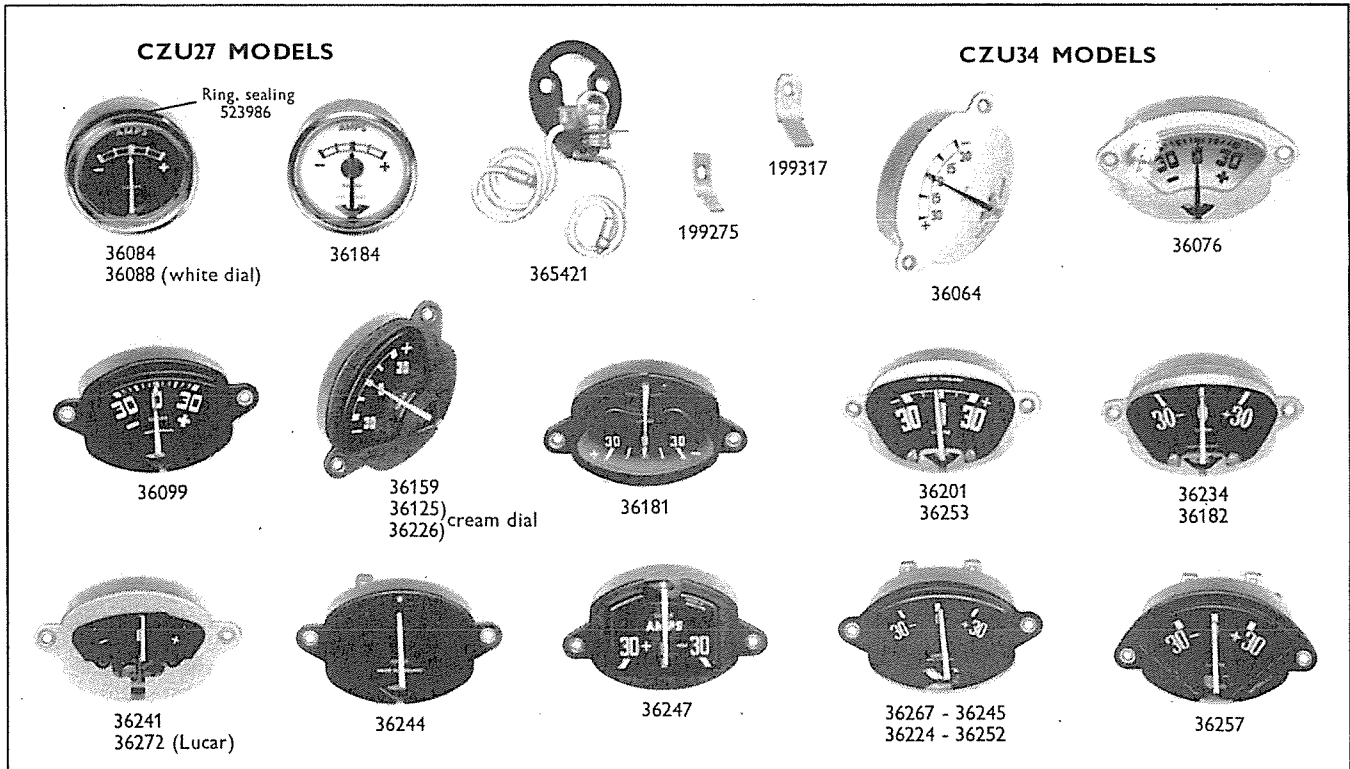


Part No.	Model	Dial Characteristics			Illumination	Rim Finish	Special Features
		Reading	Colour	Printing			
36033	BM11	20-0-20	Black	White	Internal	Black	Fitted to Citroen; with 12 v. bulb.
36053	BM11	30-0-30	Gold	Black	Internal	Black	With 12 v. bulb.
36056	BM11	30-0-30	Black	White	Internal	Black	Special for Rolls-Royce.
36060	BM11	30-0-30	Cream	Black	Internal	Black	Suitable for commercial vehicles; with 24 v. bulb.
36067	BM11	20-0-20	Cream	Brown	Internal	Black	Suitable for commercial vehicles; with 12 v. bulb; insulated return.
36070	BM11	20-0-20	Cream	Brown	Internal	Black	Red needle; with 12 v. bulb; side fixing.
36120	BM11	30-0-30	Black	White	Internal	Black	Similar to 36033, but side fixing.
364041	CZ16	20-0-20	Black	White	Direct	—	For Humber, Hillman, Standard and Rover, 1931-36.
364570	CZ20	20-0-20	Cream	Black	Direct	—	Vertical fixing.
364441	CZ21	20-0-20	Black	White	Direct	—	—
36260	CZ36	30-0-30	Black	White	Direct	—	—
36261	CZ36	30-0-30	Black	White	Direct	—	With Lucar connections.
36002	CZU20	— +	Cream	Brown	All round	—	—
36023	CZU20	30-0-30	Cream	Brown	Direct	—	Vertical fixing.
36074	CZU20	30-0-30	Cream	Maroon	Direct	—	—
36105	CZU20	30-0-30	Cream	Brown	Direct	—	Red needle.
36137	CZU20	30-0-30	White	Black	6 o'clock	—	—
36144	CZU20	30-0-30	Black	White	Direct	—	—
36162	CZU20	— +	Cream	Brown	All round	—	—
36271	CZU20	30-0-30	Black	White	Direct	—	Green needle.

Note.—The Ordering No. of each instrument is marked on the case.



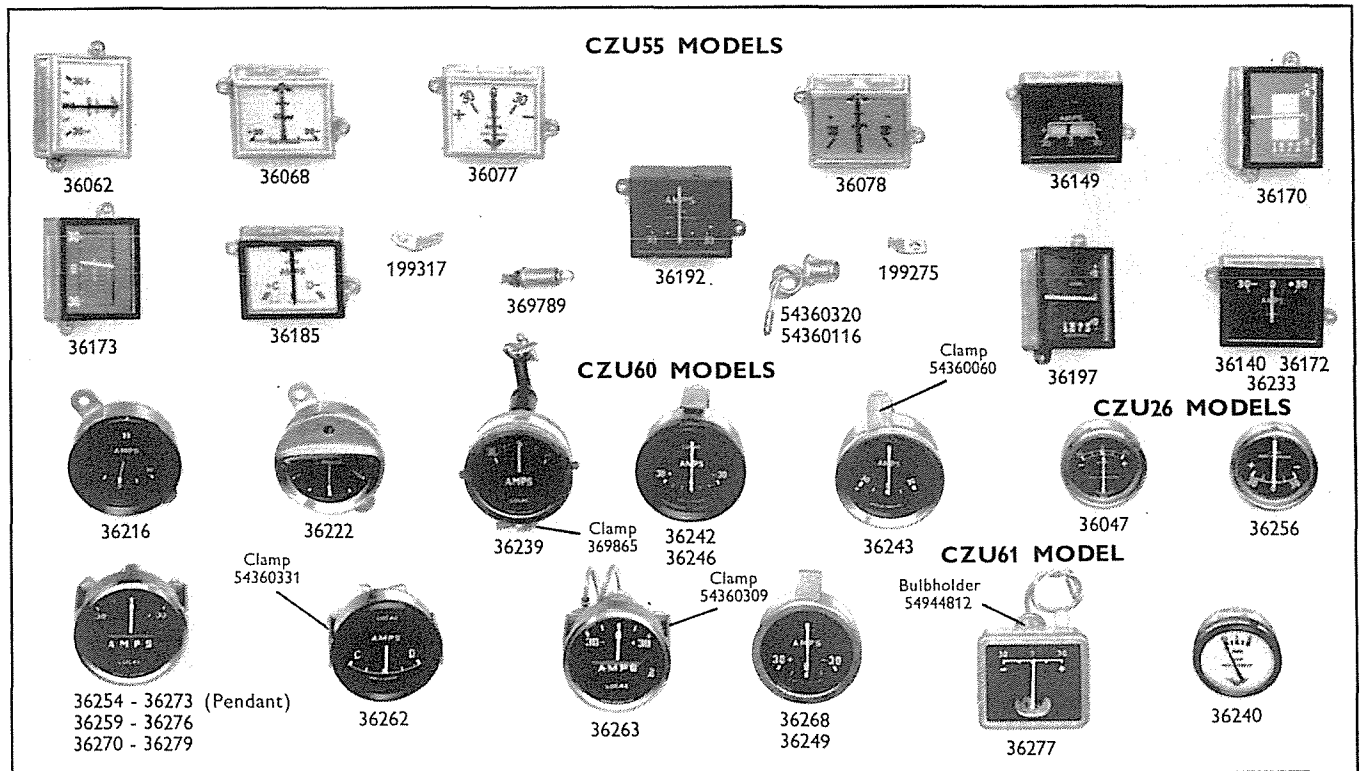
CZU27 AND CZU34 MODELS



Part No.	Model	Dial Characteristics			Illumination	Rim Finish	Special Features
		Reading	Colour	Printing			
36084	CZU27	— + (8-0-8)	Black	White	All round	Chrome	Suitable for motor cycles.
36088	CZU27	— + (8-0-8)	White	Black	All round	Aluminium	Suitable for motor cycles.
36184	CZU27	— + (8-0-8)	White	Black	All round	Chrome	Suitable for motor cycles; with warning light.
36064	CZU34	30-0-30	Cream	Black	3, 6 o'clock	—	Vertical fixing.
36076	CZU34	30-0-30	Gold	Black	Direct	—	—
36099	CZU34	30-0-30	Black	White	Direct	—	As 36076, except for colour.
36125	CZU34	30-0-30	Cream	Brown	Direct	—	Vertical fixing.
36159	CZU34	30-0-30	Black	White	Direct	—	Vertical fixing.
36181	CZU34	30-0-30	Black	White	Direct	—	As 36159, but pendent fixing.
36182	CZU34	30-0-30	Black	White	Direct	—	—
36201	CZU34	30-0-30	Black	Green	Direct	—	—
36224	CZU34	30-0-30	Grey	White	Direct	—	With terminal screws.
36226	CZU34	30-0-30	Cream	Brown	Direct	—	—
36234	CZU34	30-0-30	Dark Lilac	White	Direct	—	—
36241	CZU34	— +	Black	White	Direct	—	Vertical fixing.
36244	CZU34	Nil	Black	Nil	Direct	—	With Lucar connections.
36245	CZU34	30-0-30	Black	White	Direct	—	With Lucar connections.
36247	CZU34	30-0-30	Black	Green	Direct	—	With Lucar connections.
36252	CZU34	30-0-30	Black	White	Direct	—	—
36253	CZU34	30-0-30	Black	Green	Direct	—	With Lucar connections.
36257	CZU34	30-0-30	Black	White	Direct	—	With Lucar connections.
36267	CZU34	30-0-30	Black	White	Direct	—	With Lucar connections.
36272	CZU34	— +	Black	White	Direct	—	With Lucar connections.
36280	CZU34	30-0-30	Grey	White	Direct	—	As 36245, but for dial finish.
036435	CZU34	30-0-30	Black	White	Direct	—	As 36257, but not Lucarised.

Note.—The Ordering No. of each instrument is marked on the case.

CZU26, CZU55, CZU60 AND CZU61 MODELS



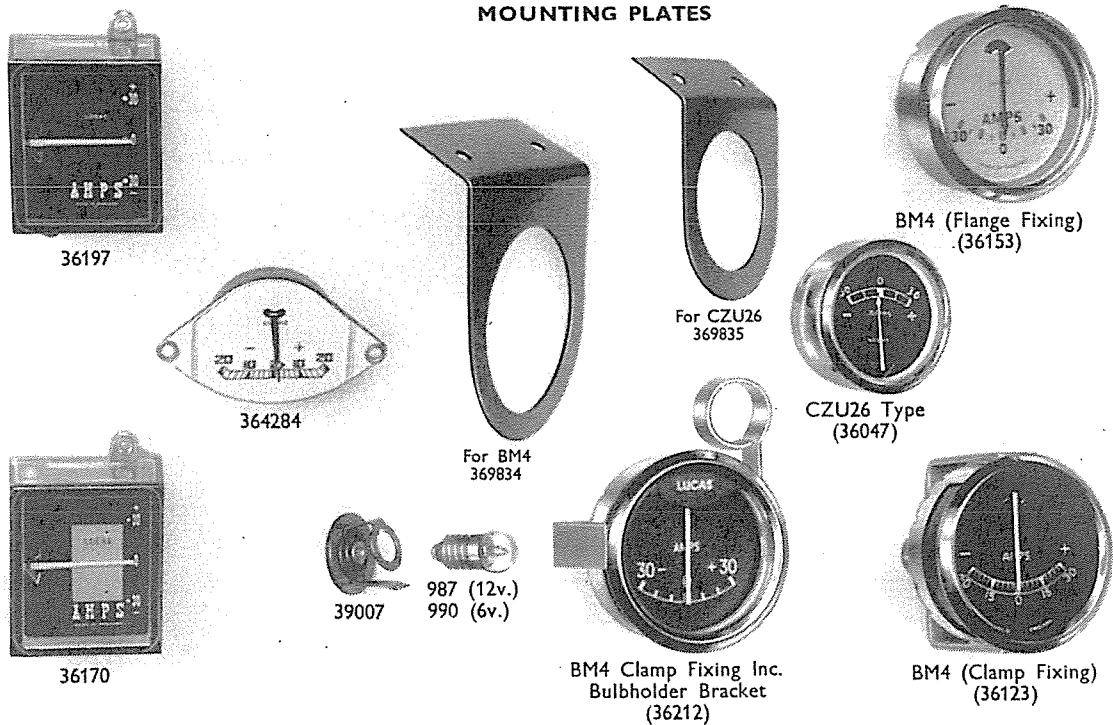
Part No.	Model	Dial Characteristics			Illumination	Rim Finish	Special Features
		Reading	Colour	Printing			
36047	CZU26	30-0-30	Black	White	All round	Chrome	—
36240	CZU26	0-2	White	Black	All round	Black	Suitable for battery chargers.
36256	CZU26	30-0-30	Grey	White	All round	Chrome	With Lucar connections.
36062	CZU55	30-0-30	Cream	Black	All round	Transparent	Vertical fixing.
36068	CZU55	30-0-30	Cream	Black	All round	Transparent	Red needle.
36077	CZU55	30-0-30	Cream	Brown	All round	Transparent	—
36078	CZU55	30-0-30	Gold	Black	All round	Transparent	—
36140	CZU55	30-0-30	Black	White	All round	Black	As 36172, except for style of printing.
36149	CZU55	30-0-30	Cream	Silver	All round	Black	Black mask, red needle.
36170	CZU55	30-0-30	Black	White	All round	Black	Vertical fixing.
36172	CZU55	30-0-30	Black	White	All round	Black	—
36173	CZU55	30-0-30	Black	White	All round	Black	Vertical fixing.
36185	CZU55	C - D	Silver	Black	All round	Black	—
36192	CZU55	30-0-30	Black	Green	6, 9 o'clock	Black	Green needle.
36197	CZU55	30-0-30	Black	White	9, 12 o'clock	Black	Vertical fixing.
36233	CZU55	30-0-30	Black	White	All round	Black	As 36172, but inverted needle.
36216	CZU60	30-0-30	Black	White	Internal bulb	Black	Special for Bentley.
36222	CZU60	C - D	Black	Orange	Internal	Chrome	Black mask.
36239	CZU60	30-0-30	Black	Green	Internal	Chrome	Clamp fixing.
36242	CZU60	30-0-30	Black	White	All round	Black	Clamp fixing.
36243	CZU60	30-0-30	Black	White	All round	Chrome	Clamp fixing.
36246	CZU60	30-0-30	Black	White	All round	Black	Clamp fixing.
36249	CZU60	30-0-30	Black	White	All round	Black	Clamp fixing.
†36254	CZU60	30-0-30	Black	White	Internal	Chrome	With Lucar connections.
36259	CZU60	30-0-30	Black	White	Internal	Chrome	With Lucar connections.
36262	CZU60	C - D	Black	White	Internal	Black	With Lucar connections.
36263	CZU60	30-0-30	Black	White	Internal	Chrome	With Lucar connections.
36268	CZU60	30-0-30	Black	White	All round	Chrome	Clamp fixing.
36270	CZU60	30-0-30	Black	White	Internal	Chrome	With Lucar connections.
36273	CZU60	30-0-30	Black	White	Internal	Chrome	With Lucar connections; red needle.
36276	CZU60	30-0-30	Black	White	Internal	Chrome	Clamp fixing.
36279	CZU60	30-0-30	Black	White	Internal	Black	Clamp fixing.
36277	CZU61	30-0-30	Black	White	Internal	Tin plated	Square shaped; with bulb holder.

Note.—The Ordering No. of each instrument is marked on the case.

† Available complete with Cables—Part No. 54036001



SUITABLE AMMETERS FOR VEHICLES NOT PREVIOUSLY EQUIPPED



EXTRA FITMENT AMMETERS

A wide range of ammeters, detailed below, is available for fitting to cars not initially equipped. These can be either panel mounted or fitted by means of the special plates illustrated. Alternative instruments may also be chosen from earlier pages, provided there is space on the panel to cut out a suitable aperture.

For cars not already fitted with ammeters we can now supply suitable mounting plates in two sizes; one, Part No. 369834 for our BM4 range and a smaller version, Part No. 369835, for our CZU26 range.

SUITABLE BM4 AMMETERS (2" diameter)

Part No.	Dial Characteristics			Illumination	Rim Finish	Special Features
	Reading	Colour	Printing			
36000	8-0-8	Black	White	All round	Black	Flange fixing.
36129	8-0-8	Black	White	12 o'clock	Chrome	Flange fixing.
36001	30-0-30	Black	White	All round	Chrome	Flange fixing.
36052	20-0-20	Ivory	Black	6 o'clock	Chrome	Flange fixing.
36153	30-0-30	Green	Black	12 o'clock	Chrome	Flange fixing.
36156	-- +	Black	White	Direct	Black	Flange fixing.
36123	30-0-30	Black	White	Direct	Chrome	Clamp fixing.
36174	30-0-30	Black	White	12 o'clock	Chrome	Clamp fixing.
†36212	30-0-30	Black	White	All round	Chrome	Clamp fixing; with bulb holder bracket.

† To illuminate Ammeter No. 36212 please order Bulb Holder No. 39007A and Bulb No. 987 (12 v.), 990 (6 v.).

SUITABLE CZU26 AMMETERS (1½" diameter)

Part No.	Dial Characteristics			Illumination	Rim Finish	Special Features
	Reading	Colour	Printing			
36047	30-0-30	Black	White	All round	Chrome	Flange fixing.
36256	30-0-30	Grey	White	All round	Chrome	Flange fixing.

Note.—Wiring instructions are supplied with each mounting plate.

Certain vehicle manufacturers have made provision for ammeters to be fitted as optional extras. These are listed below:

Morris 8 h.p. Series E	1946-48	CZ21	364284	Hillman 'Minx' Mk. VI and VII	1954	CZU55	36170
Hillman 'Minx' Mk. VI	1953	CZU55	36170	Hillman 'Minx'	1955-60	CZU55	36197

AMMETERS



DETAILED SPARE PARTS

	§ Screw, terminal	§ Ring, sealing	Nut, fixing clamp	Clamp, fixing	Washer, fixing nut	Pin, terminal conversion
BM4 Models						
36000A/B	121610	369201	—	—	—	—
36001A/D	121610	—	—	—	—	—
36030A/B	121610	—	—	—	—	—
36052A/B	121610	—	—	—	—	—
36071A/D	121610	—	—	—	—	—
36123A	121610	—	—	—	—	—
36128A/B	121610	—	—	—	—	—
36129D	121610	369201	—	—	—	—
36135A	121610	—	—	—	—	—
36153A	121610	—	—	—	—	—
36155A	121610	—	—	—	—	—
36156A	121610	—	—	—	—	—
36174A/B	121610	—	169053	369156	—	—
36196A	121610	—	169053	369301	—	—
36206A/E	121610	—	—	—	—	—
36212A/B	121610	—	169054	†369761	188408	—
36237A	121610	—	—	—	—	—
36250A/D	—	369201	169053	369156	—	—
36264A	—	—	169053	369156	—	—
36266A/B	121610	—	169053	369156	—	—
36269A	—	—	169053	369301	—	54360537
36278A	—	—	—	—	—	—
BM2 Model						
369149	121610	—	—	—	—	—

	§ Screw, terminal	Spring, retaining, bulb contact	Contact, bulb	§ Bulb	§ Screw, base fixing	§ Washer, fixing screw
BM11 Models						
36033A/D	121610	369526	369722	987	132464	185000
36053A/B	121610	369526	369722	987	132464	185000
36056A/F	121610	369526	369722	987	132464	185000
36060A/B	121610	369526	369722	993	132464	185000
36067A/B	121610	369526	369722	987	132464	185000
36070A/B	121610	369526	369722	987	132464	185000
36120A	121610	369526	369722	987	132464	185000

	§ Screw, terminal	§ Nut, terminal	§ Washer, terminal	Ring, sealing	§ Connector, Lucar (small)	§ Connector, Lucar (large)	Spacer, connector	Bulb holder	Bulb
CZU20 Models									
36002D	121610	166043	185040	—	—	—	—	—	—
36023D/F	—	166043	185040	—	—	—	—	—	—
36074D/E	—	166043	185040	—	—	—	—	—	—
36105A	—	166043	185040	—	—	—	—	—	—
36137B	—	166043	185040	—	—	—	—	—	—
36144A	—	166043	185040	—	—	—	—	—	—
36162A	—	166043	185040	—	—	—	—	—	—
36271A	—	166043	185040	—	—	—	—	—	—
CZU27 Models									
36084A/F	—	166043	185040	523896	—	—	—	—	—
36088A/F	—	166043	185040	523986	—	—	—	—	—
36184B	—	166043	185040	523986	—	—	—	365421	998
CZ16 Model									
364041	—	—	—	—	—	—	—	—	—
CZ20 Model									
364570	121610	—	—	—	—	—	—	—	—
CZ21 Model									
364441	—	—	—	—	—	—	—	—	—
CZ36 Models									
36260A	—	166020	185040	—	—	—	—	—	—
36261A	—	166020	185040	—	199275	199317	54360325	—	—

For illustrations, see pages B1-B5



AMMETERS

DETAILED SPARE PARTS

	§ Nut, terminal	§ Washer, terminal	Connector, Lucar (small)	Connector, Lucar (large)	Spacer, connector
CZU26 Models					
36047D/E	166043	185040	—	—	—
†36225A/B (36256)	166043	185040	—	—	—
36240A	166043	185040	—	—	—
36256A (‡36225)	—	—	199275	199317	54360325
CZU34 Models					
36064E/F	166043	185040	—	—	—
36076F/K	166043	185040	—	—	—
36099B/F	166043	185040	—	—	—
†36119A/B (36244)	166043	185040	—	—	—
36125A	166043	185040	—	—	—
36159D	166043	185040	—	—	—
†36180A (36247)	166043	185040	—	—	—
36181A	166043	185040	—	—	—
36182A	166043	185040	—	—	—
†36183A/B (36253)	166043	185040	—	—	—
36201A/B	166043	185040	—	—	—
36224A	166043	185040	—	—	—
36226A	166043	185040	—	—	—
†36228A (36257)	166043	185040	—	—	—
36230A	166043	185040	—	—	—
36234A	166043	185040	—	—	—
36236A	166043	185040	—	—	—
36241A/B	166043	185040	—	—	—
36244A/E (‡36119)	—	—	199275	199317	54360325
36245A/D	166043	185040	199275	199317	54360325
36247A/B (‡36180)	—	—	199275	199317	54360325
†36248A/B (36267)	166043	185040	—	—	—
36252A	166043	185040	—	—	—
36253A/B (‡36183)	—	—	199275	199317	54360325
36257A/B (‡36228)	—	—	199275	199317	54360325
36267A (‡36248)	—	—	199275	199317	54360325
36272A (‡36241)	—	—	199275	199317	54360325
036435	166043	185040	—	—	—

	§ Nut, terminal	§ Washer, terminal	Pin, adaptor		§ Nut, terminal	§ Washer, terminal	Pin, adaptor
CZU55 Models				CZU55 Models —continued			
36062E/J	166043	185040	—	36172A	166043	185040	—
36068D/E	166043	185040	—	36173A	166043	185040	—
36077B/D	166043	185040	—	36185A	166043	185040	—
36078B/F	166043	185040	—	36192A	166043	185040	—
36140A	166043	185040	—	36197A	166043	185040	—
36149A	166043	185040	—	36233A/D	—	185040	365545
36170A	166043	185040	—				

	§ Nut, terminal	§ Washer, terminal	§ Bulb	Bulb holder	Clamp, fixing	Nut, fixing clamp	Washer, fixing nut	§ Connector, Lucar (large)	§ Connector, Lucar (small)
CZU60 Models									
36216A	166043	185040	281	369789	—	—	—	—	—
36216D/F	166043	185040	987	54360116	—	—	—	—	—
36222A/B	166043	185040	281	369789	—	—	—	—	—
36239A/B	166043	185040	281	369789	369865	—	—	—	—
36242A	166043	185040	—	—	54360040	169053	185026	—	—
36243A	166043	185040	—	—	54360060	169053	185026	—	—
36246A/B	166043	185040	—	—	54360546	169053	185026	—	—
36249A	166043	185040	—	—	54360060	169053	185026	—	—
36254A	166043	185040	987	54360320	54360309	169053	185026	199317	199275
36259A	166043	185040	—	—	54360331	169053	185026	199317	199275
36262A/B	166043	185040	—	—	54360331	169053	185026	199317	199275
36263A	166043	185040	987	54360320	54360309	169053	185026	199317	199275
36268A	166043	185040	—	—	54360546	169053	185026	—	—
36270A	166043	185040	987	54360320	54360309	169053	185026	199317	199275
36273A/D	166043	185040	—	—	54360331	169053	185026	199317	199275
36276A	166043	185040	987	54360320	54360655	169053	185026	199317	199275
36279A	166043	185040	987	54360320	54360655	169053	185026	199317	199275
CZU61 Models									
36277A/B	166043	185040	987	54360320	—	—	‡54360325	199317	199275

For illustrations, see pages B1-B5

† When ordering, quote part number shown in brackets

‡ Ammeter less Lucar blades

§ Recommended spares for stock

‖ Spacer, connector

AMMETERS



VEHICLE APPLICATION REFERENCE

- 36000 BM4**
Larmar Invalid Carriage 1948-50.
- 36001 BM4**
A.C. Cars Invalid Carriage 1947-53; 'Ace' Sports and 'Aceca' Coupé 1955-60.
A.F.N. 'Le Mans' and 'Mille Miglia' 1951.
Allard 16 1947-49; 'J', 'J2' and 'J2X' Models 1949-55; 'J2R' 1956; 'K', 'L', 'M' and 'P' 1949-51; 'K3' 1954-55; 'P' 1952-55; 'Palm Beach' 21C and 21Z 1953-55.
Aston Martin DB3/S Competition 2-seater 1956.
Commer 24 cwt. Forward Control 1946-50.
Dellow Sports Mk. III later 1952-54; Mk. IIC and Mk. V Lightweight 1955-57.
Fairthorpe 'Atomota' 1959.
Healey 16 Roadster 1948-49; 'Sportsmobile' 1949; 'Silverstone' 1950; 'Tickford' Saloon 1951-54; 'Abbot' Drophead Coupé 1952-54.
H.R.G. 9 and 12 1946-52.
Jensen 'Lightweight' Commercial Vehicle 1954.
Jowett 10 cwt. 'Bradford' Van 1946-54; De Luxe Van and 6 light Utility 1949-52.
Karrier 'Bantam' 1946-50; 'Cob' 1947-48.
Layton Sports Cars 'Jomar' (T.V.R.) 1959-60.
Lotus Mk. VII and Mk. VIII (Ford Engine 100E); Mk. XI (Climax or M.G. Engine) 1958-59.
Morgan 3 wheeler 1948-52.
Morris Commercial FV and FVS 1949-54; Petrol Tanker 1951-52; FVO and FVOS 1949-54; OP Passenger Chassis 1949-50.
Reliant 750 c.c. 4 cylinder 3 wheeler 1946-54.
Standard 12 and 14 1946-48.
Triumph 15/20 cwt. Van (Petrol) 1946-60; 15/20 cwt. Van and Truck (Diesel) 1954-57.
- 36002 CZ20**
Austin Taxi and Hire Car (Petrol) 1948-52; 25 cwt. Van and Ambulance 1948-50; 2/5 ton Petrol Tanker 1946-48.
Daimler 27 and 36 (Limousine) 1949-53.
Jensen 3½ litre 1946-47.
Lloyd '650' Roadster 1948-50.
Morgan 'Plus Four' 1946-60; 'Four Four' (Standard Engine) 1949-50.
Morris 10 1946-48.
Riley 1½ and 2½ litre 1946-49.
Singer 9 Roadster 1946-51.
- 36023 CZU20**
Alvis 14 1946-50.
Morgan 'Plus Four' 1951-60.
- 36030 BM4**
Austin 12 and 16 1946-48.
Daimler DC27 Ambulance 1949-54.
Paramount Cars Roadster and Coupé 1954.
Wolseley 10, 12, 14, 18 and 25 1946-48.
- 36033 BM11**
Bristol 2 litre 1947-48.
Bristol '400' 1949-50.
Citroen 15 1946-54; 23 1946-53.
- 36047 CZU26**
Armstrong Siddeley 'Sapphire' 1953-55.
Austin 10 cwt. 1953-54; '101' Van 1958-60.
Commer 25 cwt. Forward Control 1950-54.
Dodge 61C, 100C, 101C and 120C 1947-48.
Morris 'Oxford' Taxi and Hire Car 1947-51; 5 cwt. Van 1946-53; 10 cwt. Van 1946-50.
Morris Commercial 15/20 cwt. (PV) 1946-53; 25/30 cwt. (LC3) 1946-52; 25/35 cwt. 1946; 35/40, 45/55 and 60/70 cwt., 5 ton Forward Control Tipper and ECV 13/3 1946-48; CV Ambulance 1947-51; CVF13/5 1946-47; CV11/30 1946-48 and CV11/40 1946-51; CV9/40 1950-51 and CV10 1946-48; ECV13/5 and ECV013/5 1949; 10 cwt. Van 1949-57; 'JB' Van 1958-60; LD1 and LD2 1954-60; LDO 1956; LDO1 and LDO2 1957-60; LCFO 1958-59.
Reliant 750 c.c. 4 cylinder 3 wheeler 1949-54; 6 cwt. Van and Truck (6 volt) 1954-55.
Rover 10, 12, 14 and 16 1946-47; '60' and '75' 1948-49; 'Landrover' and Station Wagon 1948-54.
- 36052 BM4**
Lea Francis 14 1949-54; 18 (4 light) 1951-54; 18 (6 light) 1950-53; 1½ litre Sports 1949 and 2½ litre Sports 1950-54.
- 36053 BM11**
Austin A125 'Sheerline' and Limousine 1948-54; A135 'Princess' 4 litre and Limousine 1948-54; Ambulance (DA1) and Hearse (DH1) 1951-55.
- 36056 BM11**
Bentley 'Continental' Sports 1952-54.
- 36062 CZ55**
Austin A40 'Devon' and 'Dorset' 1948-51; A40 Van, 'Countryman' and Pick-up Truck 1948-56.
- 36064 CZ34**
Renault 8.3 Car and Van 1947-51.
- 36068 LI**
Meynell (See also Paramount) 'Cub', 'Vixen' and 'Flying Fox' Roadster and Coupé Mk. I 1952.
Morris 'Cowley' Van and Pick-up Truck 1950-52.
Morris 'Oxford' Saloon Series I-IV 1950-51; 'Six' Saloon 1948-51.
Paramount Cars Roadster and Coupé 1951-53.
Wolseley 'Six Eighty' 1949-54; 'Four Fifty' 1949-53.
- 36070 BM11**
Bristol '401' 1949-50.
- 36071 BM4**
Jaguar 3½ litre Mk. V 1946-48; XK120 1949-54; XK140 1955-57.
- 36074 CZ20**
Humber 'Super Snipe' 1949-52.
- 36076 CZU34**
Austin A70 'Hampshire' 1948-50.
- 36077 CZU55**
Singer 'SM1500' 1949-53.
- 36078 CZU55**
Austin A90 'Atlantic' 1949-52.
Riley 1½ litre 1950-55; 2½ litre 1950-53.
- 36084 CZU27**
Renault 12 1946-51.
- 36099 CZU34**
A.F.N. 'Le Mans' and 'Mille Miglia' 1953-54.
Austin 'Champ' (Civilian) 1954-56; 1 and 1½ ton 4 x 4 Cargo Truck (Civilian) 1954-55; 2 and 5 ton Trucks 1949-50; Series II 1951-55 and 3 ton Series II 1955; Petrol and Diesel Trucks and Prime Mover, 3/5 ton Series III 1956-59; 2/5 ton Petrol Tanker 1952-55; 3/4 ton and 3/5 ton Petrol Tanker Series III 1957-60; 'Gipsy' 1958-60; 'Princess' 4 litre Mk. IV 1957-59.
- 36120 BM11**
Bristol '401' 1951-53.
- 36123 BM4**
Elva 'Courier' (B.M.C. 1,500 c.c. Engine) 1959.
Smiths Delivery Vehicles 2 ton (Diesel) (CP 80) 1953-55.
- 36125 CZU34**
Austin Light 2 ton (3.4 litre Diesel) and 301FC 1959; '301' (except 301FC) 1957-60.
Morris Commercial LC5 1954-60; LCO 1956-57; LCO5 1958-60; LC5 1954-59; LCO5 (G.P.O. Models) 1958-59; NV 1954; FVS12/5, FVS012/5, NV12/3, NVO12/3, NVO11/5, NVS12/3 and NVS13/5 1955; NVO and NVS 1951-54; 3 ton 3KNC (G.P.O.) 1956-59; 2/3 and 5 ton Trucks Series III 1956-60; Coach and Tanker Series III 1957-60.
Renault 760 c.c. 4CV Saloon 1955.
Singer 'SM1500' later 1953-54; 'S' Model 1956.
- 36128 BM4**
Jaguar 3½ litre Mk. V 1951-52; Mk. VII 1952-58; Mk. VIII 1957-59; Mk. IX 1959-60.
- 36135 BM4**
Alvis 3 litre TA21 1951-53; TC21 and TC21/100, 'Grey Lady' and Tickford Coupé 1954-55; 3 litre TCI08G (Grabber Body) 1956-57.
Jaguar 3½ litre Mk. V 1951.
Jowett 'Javelin' De Luxe 1950-51; 'Jupiter' Sports (Plate fixing) 1951-52.
- 36137 CZU20**
Austin 8 and 10 1946-47; Taxi and Hire Car 1952-58; 25 cwt. Van and Ambulance 1951-54.
Singer 9 Roadster 1947-51; 4AC and 4AD 1952-55.
- 36140 CZU55**
Austin A40 'Devon' 1952; 'Somerset' 1953-54; A40 Sports 1951-53; A70 1951-55.
Rover '75' 1950.
- 36144 CZU20**
Aston Martin 2 litre 1947-50; DB2, DB2/4 1951-56.
Lagonda 3 litre Saloon and Coupé 1954-58.
Singer 'Hunter' 1956.
- 36149 CZU55**
Morris 'Cowley' Van and Pick-up Truck (later) 1952-53; 'Oxford' Series I-IV, 'Six' Saloon 1952-54; Half Ton Van and Pick-up Truck 1954-56.
- 36153 BM4**
M.G. 1½ litre (Tourer) 1947-50; 'Midget' 1946-53.
- 36155 BM4**
Jensen 'Lightweight' Commercial Vehicle 1955.
Jowett 'Javelin' De Luxe 1952-54; 'Jupiter Sports' (Clamp fixing) 1951-54.
- 36159 CZU34**
Rover 'Landrover' 1955-60.
- 36170 CZU55**
Hillman 'Minx' All Models 1953-54.
- 36172 CZU55**
Standard 'Vanguard' Phase II 1953-56.
- 36173 CZU55**
Triumph 'Renown' 1953-54.
- 36174 BM4**
Peerless 'Gran Turismo' 1959-60.
Swallow 'Doretti' 1954-55.
Triumph 2-seater Sports 1954; TR2 1955-56; TR3 1956-59.
- 36181 CZU34**
M.G. 1½ litre 1947-53; 'Midget' 1954-55.
- 36182 CZU34**
Morris 'Cowley' Saloon 1955-56; 'Traveller' Series I-IV, 'Hindustan' Series I-III 1955-56; 'Isis' Saloon and 'Traveller' 1956.
- 36185 CZU55**
Austin A135 'Princess' 4 litre 1955-60; Ambulance and Hearse 1956-60.
- 36192 CZU55**
Humber 'Super Snipe' 1953-57.
- 36196 BM4**
Bristol '404' and '405' 1955-58.
- 36197 CZU55**
Commer 'Express' Delivery Van and Pick-up Truck 1955-57.
Hillman 'Minx' All Models 1955-56.
- 36201 CZU34**
Armstrong Siddeley All Models 1955-60.
- 36206 BM4**
Jaguar 2.4 litre 1956-57.
- 36212 BM4**
B.M.C. 7 ton Models 1958.
- 36216 CZU60**
Bentley Model 'S' Saloon 1955-59; 'Continental' Sports 1955-60.
- 36222 CZU60**
Daimler 3½ litre 'One-O-Four' Models and 4½ litre 1956.
- 36224 CZU34**
Lancaster 'Sprite' 1955-56.
- 36226 CZU34**
Morgan 'Four-Four' Series II (Ford Engine) 1956-60.



AMMETERS

VEHICLE APPLICATION REFERENCE—continued

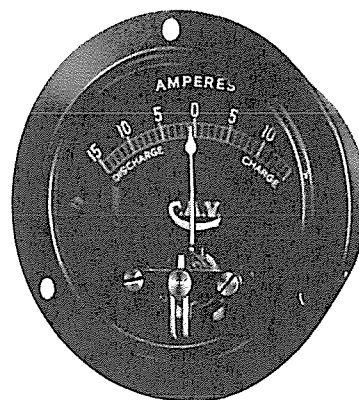
<p>36233 CZU55 Citroen DS19 1957-59; ID19 1959.</p> <p>36234 CZU34 Morris 'Cowley' Saloon 1955-59; 'Traveller' Series I-IV, 'Hindustan' Series I-III 1957-60; 'Isis' 1957; 'Isis' Series II 1958; Half Ton Van and Truck 1957-60.</p> <p>36237 BM4 Jaguar 2.4 litre (later) 1957-59; 3.4 litre and Mk. II 1960; XK150 1958-60.</p> <p>36239 CZU60 Riley 'Two-Point-Six' 1958-59.</p> <p>36241 CZU34 Humber New 'Super Snipe' Series I and II 1959-60.</p> <p>36242 CZU60 Bristol '406' 1958-60.</p> <p>36244 CZU34 Rover '60' and '90' 1954-59; '75' 1952-59; '105' 1957-59; '80' and '100' 1960; 3 litre 1959-60.</p> <p>36245 CZU34 Austin Taxi and Hire Car (Diesel) 1959-60.</p> <p>36247 CZU34 M.G. 'Magnetite' 1954-60.</p> <p>36249 CZU60 Alvis 3 litre Saloon and Coupé TD21 1958-60.</p> <p>36250 BM4 Riley 'Four-Sixty-Eight' 1959-60.</p>	<p>36252 CZU34 Beardmore Taxi Mk. VII (Ford 'Consul' Engine) 1955-58.</p> <p>36253 CZU34 Riley 'Pathfinder' 1954-57. Wolseley 'Six Ninety-Nine' 1955-60.</p> <p>36254 CZU60 Commer $\frac{3}{4}$ ton Forward Control and Passenger Chassis 1960. Hillman 'Minx Special' Series IIIA 1959-60. Morris Commercial 5 ton and Prime Mover, 7 ton Series IVFF (Diesel) 1959-60. Sunbeam 'Alpine' Sports 1959-60.</p> <p>36256 CZU26 B.M.C. 5 ton (504) and Prime Mover Series IVFF 1959-60; Series IVFG Trucks 1960; '152' Range 1957-60. Morris Commercial 'J2' 1957-60.</p> <p>36257 CZU34 Aston Martin DB2/4 1957; Mk. III 1958-59; DB4 1959-60. Singer 'Gazelle' 1957-60.</p> <p>36260 CZ36 Bentley Model 'S2' Saloon 1960. Rolls-Royce 'Silver Cloud' II 1960.</p> <p>36261 CZ36 Austin B.M.C. 'Princess' 3 litre 1960.</p> <p>36262 CZU60 Jaguar 2,4 and 3.4 litre Mk. II 1960.</p>	<p>36263 CZU60 Daimler SP250 Sports 1960.</p> <p>36264 BM4 Fairthorpe 'Atomota' (later) 1959-60; 'Zeta' 1960. Triumph TR3 1960.</p> <p>36266 BM4 Elva 'Courier' (B.M.C. 1,500 c.c. Engine) 1960.</p> <p>36267 CZU34 Hillman 'Minx' De Luxe Series III 1959-60.</p> <p>36268 CZU60 Aston Martin DB4GT 1960.</p> <p>36270 CZU60 Wolseley 'Six Ninety' (Police Car) 1959-60.</p> <p>36271 CZU20 Armstrong Siddeley 'Limousine' 1960.</p> <p>36280 CZU34 Austin 3 ton (303), 4 ton (403) and 5 ton (503) Series III (Normal Control) 1960. Morris Commercial 2/3, 4 and 5 ton Series III (later) 1960.</p> <p>036435 CZU34 Hillman 'Minx' All Models 1957; De Luxe Series III 1958.</p> <p>364570 CZ20 Humber 'Hawk' and 'Super Snipe' 1946-48. Singer 10 and 12 1946-49. Wolseley 8 1946-48.</p>
--	--	---



AMMETERS

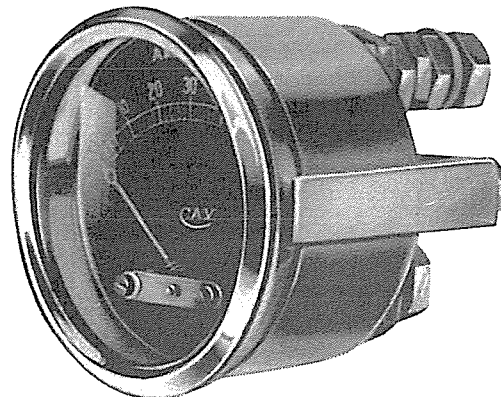
TYPE 5480-7

Part No.	Reading	Special Features
5480-7	15-0-15 30-0-30	Moving coil type; flange mounted; size $2\frac{9}{16}$ " (65 mm.) bezel diameter by $2\frac{9}{16}$ " (65 mm.) long.



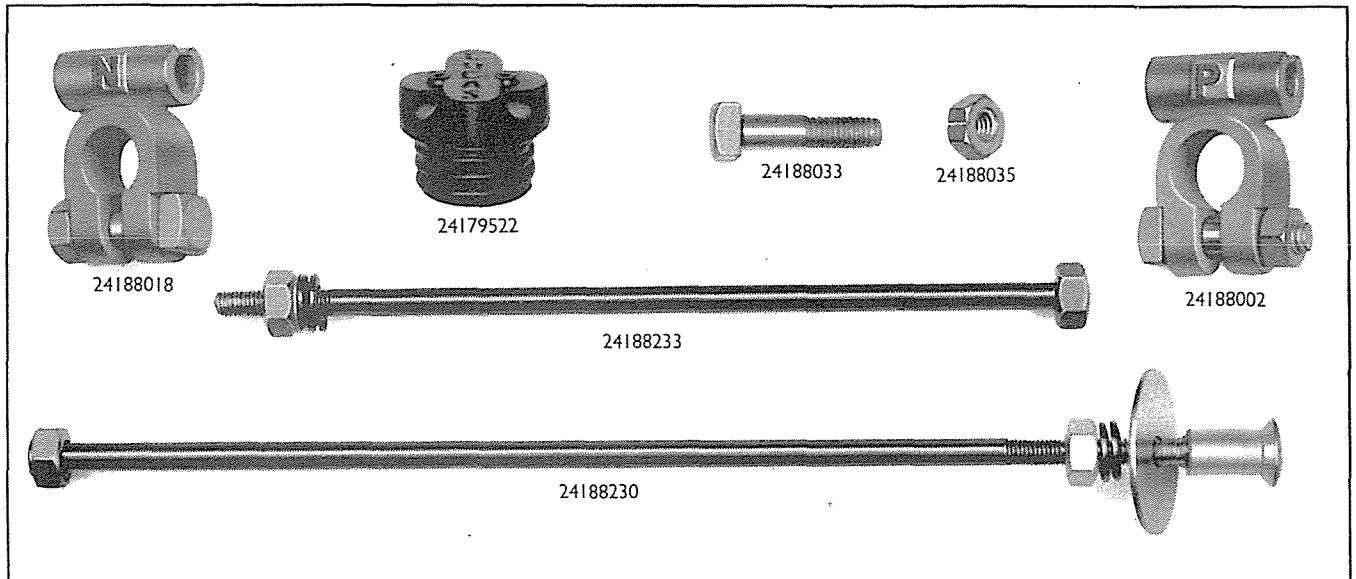
TYPES A4134 and A4138

Part No.	Reading	Special Features
A4134P	0-40	Moving coil type; clamp fixing; size $2\frac{3}{16}$ " (56 mm.) bezel diameter by $2\frac{9}{16}$ " (65 mm.) long.
A4138A	20-0-20	
A4138B	30-0-30	

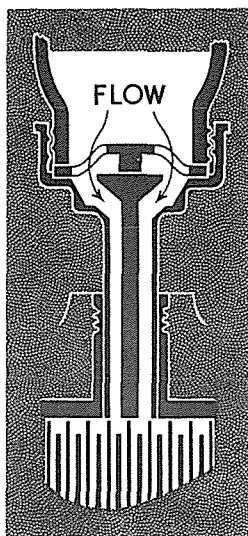


Other models of this type have a range scale reading from 15 to 80 amperes.

BATTERY SUNDRIES



Description	Special Features	Part No.
Fixing bolt	$\frac{5}{16}$ " \times $1\frac{1}{4}$ "; S.M.M.T.	24188033
Fixing nut	$\frac{5}{16}$ " Whit.; S.M.M.T.	24188035
Battery rod	$11\frac{3}{8}$ " long; Standard T	24188230
Battery rod	$7\frac{3}{4}$ " long; Standard LT	24188233
Universal cable connector	Positive; non-corrosive	24188002
Universal cable connector	Negative; non-corrosive	24188018
Vent plug	Rubber	24179522



BATTERY FILLER

Correct topping-up is automatically ensured by the Lucas Battery Filler. The nozzle is inserted into the battery and pressed down on to the separators. A valve opens, and the fluid flows until the correct level is reached.

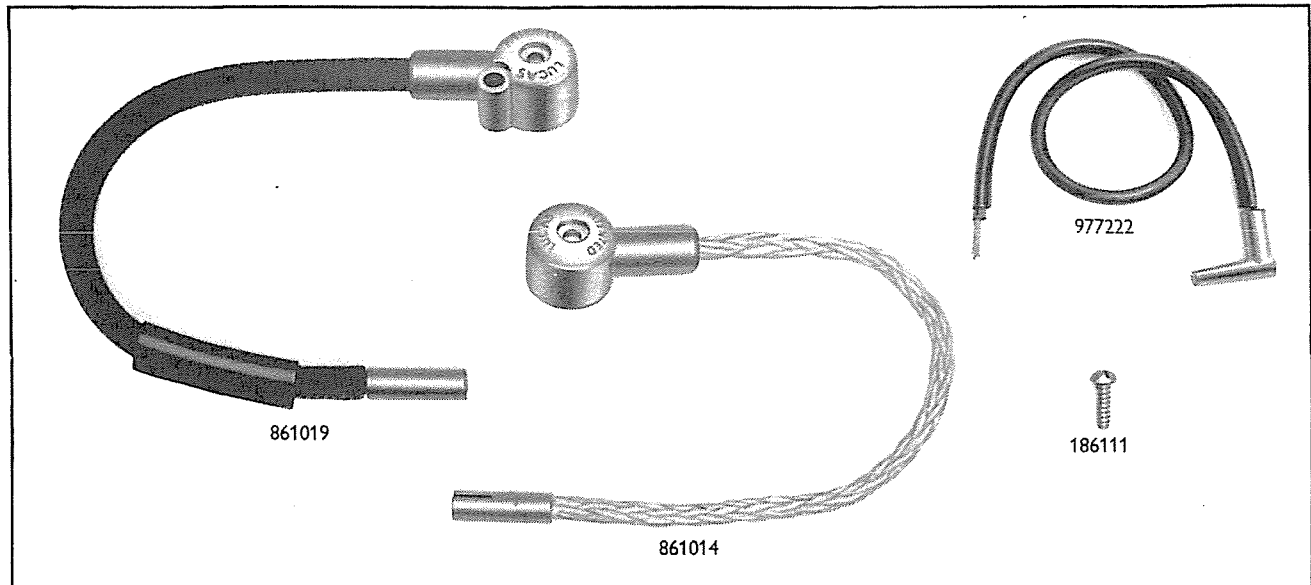
In the case of 'King of the Road' batteries fitted with the correct acid level device, the Lucas battery filler can be used as a pourer by removing the red valve; the rubber washer should be retained to keep the joint between the bottle and nozzle watertight.

Description	Part No.
Car size	24189601
Trade size	24189605





BATTERY CABLE REPLACEMENT



BATTERY CABLE REPLACEMENT

(With Lucas Die-cast Battery Lug)

It is now possible to use the Lucas Die-cast Battery Lug when a battery replacement cable is needed. This makes for clean corrosion-free battery posts and long cable life.

A standard replacement kit for all modern vehicles is supplied. This consists of a 12-inch length of cable with a die-cast lug and brass connector sleeve. The connector sleeve is kept well away from the battery and ensures that cable joints are protected from corrosion under all conditions.

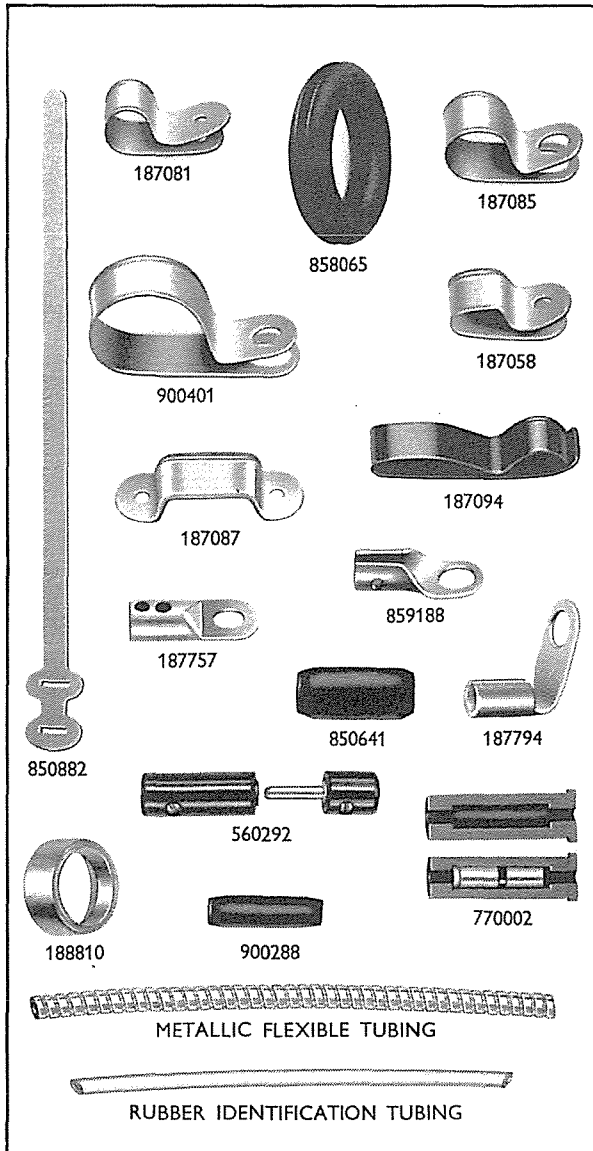
NEGATIVE LEAD (Part No. 861019)
 12 inches (37/20) Starter Cable with Cast Lug
 Brass Connector
 Rubber Sleeve
 Self-tapping Fixing Screw

POSITIVE LEAD (Part No. 861014)
 12 inches Braided Earth Cable with Cast Lug
 Brass Connector
 Self-tapping Fixing Screw

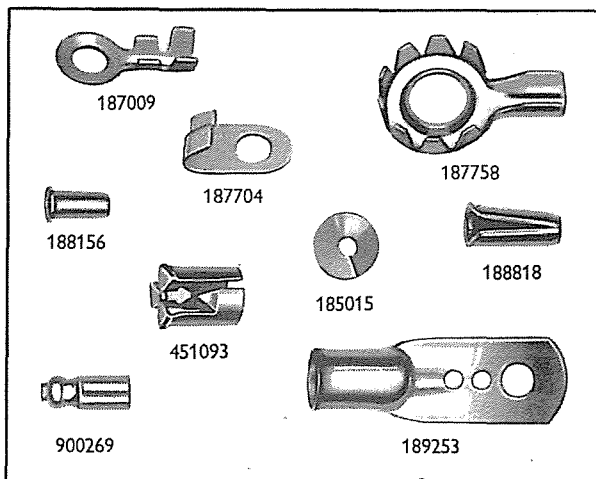
These may be used to replace either a corroded brass lug or a damaged cable by joining the replacement to any required length of standard starter cable.

BATTERY TO AMMETER LEAD (With Die-cast Plug)	Part No. 977222
BATTERY LUG FIXING SCREW (Self-tapping, Standard Size)	Part No. 186111
BATTERY LUG FIXING SCREW (Self-tapping, 1st Oversize)	Part No. 186114

CABLE SUNDRIES



These parts are illustrated half size



These parts are illustrated full size

RUBBER CABLE BUSHES

Part No.	Description
858062	$\frac{1}{4}$ " bore to fit $\frac{1}{2}$ " hole
858063	$\frac{1}{2}$ " bore to fit $\frac{3}{4}$ " hole
858065	1" bore to fit $1\frac{1}{4}$ " hole

SINGLE CABLE CLIPS

With bell-shaped ends to prevent chafing of cables
NICKEL PLATED

Part No.	Description
187075	$\frac{3}{32}$ " bore .136" hole
187045	$\frac{3}{32}$ " bore .196" hole
187047	$\frac{3}{32}$ " bore $\frac{11}{16}$ " hole
187052	$\frac{3}{32}$ " bore .196" hole
187042	$\frac{3}{32}$ " bore $\frac{9}{16}$ " hole
187007	$\frac{7}{16}$ " bore .136" hole
187081	$\frac{7}{16}$ " bore $\frac{11}{16}$ " hole

DOUBLE CABLE CLIPS

With bell-shaped ends to prevent chafing of cables
NICKEL PLATED

Part No.	Description
187058	$\frac{3}{8}$ " \times $\frac{17}{16}$ " bore .196" hole
187060	$\frac{3}{8}$ " \times $\frac{17}{16}$ " bore $\frac{5}{16}$ " hole

CABLE HARNESS CLIPS

With bell-shaped ends to prevent chafing of cables

Part No.	Description
900401	$1\frac{1}{8}$ " bore $\frac{5}{16}$ " hole

STARTER CABLE CLIPS

With bell-shaped ends to prevent chafing of cables
NICKEL PLATED

Part No.	Description
187048	$\frac{1}{2}$ " bore .196" hole
187051	$\frac{5}{8}$ " bore .196" hole
187085	$\frac{5}{8}$ " bore $\frac{5}{16}$ " hole

CABLE STRAPS

Part No.	Description
850882	7" long Aluminium



CABLE SUNDRIES

WIRING SADDLES

Part No.	Description
187087	1" cable slot

SPRING CLIPS FOR CHASSIS MOUNTING

Part No.	Description
187094	2 1/4" overall length
187050	2 1/2" overall length

CABLE EYELETS

Part No.	Description
187700	3/32" diameter, short
187009	3/16" diameter, short
850405	3/16" diameter
900450	3/16" diameter
850402	3/8" diameter

CABLE FLAG EYELETS

Part No.	Description
187704	3/16" hole

CABLE CLAW EYELETS

Part No.	Description
189368	2 B.A.
187758	5/16" diameter

TERMINAL ENDS

Part No.	Description
188156	1/8" diameter
188818	3/16" diameter
555910	3/16" diameter
185015	Terminal washer

FLEXIBLE METALLIC SHEATHING

Part No.	Size of Bore	External Diameter
857711	3/16"	13/32"
850594	1/4"	11/16"
850591	3/8"	13/16"
850593	7/16"	15/16"
857713	9/16"	1 1/8"
850592	1 1/8"	1 1/16"

CABLE CONNECTORS

Part No.	Description
900288	Snap-in Cable Connector (may be used with 3/32" single Cable Clip)
900269	Snap-in Terminal End for above
770002	Lucas Solderless Connector (for use with low current circuits) c/w Terminal Ends (may be used with 3/8" single Cable Clip)
560292	Lucas Quickly Detachable Cable Connector
850641	4-way Cable Connector

3 mm. RUBBER IDENTIFICATION TUBING (1 yard lengths)

Part No.	Colour	Part No.	Colour
857707	Black	857715	Blue
857708	Red	857716	White
857709	Green	857717	Yellow
857710	Purple	857718	Brown

STARTER CABLE TERMINALS

Part No.	Description
187757	3/8" diameter hole for cable
859188	3/8" diameter hole for cable
858183	As 859188 but 5/16" diameter hole
187794	3/8" diameter hole for earthing terminal

FERRULES FOR METALLIC FLEXIBLE SHEATHING

Part No.	Size of Bore
188812	3/16"
188814	3/8"
188805	1/2"
188807	9/16"
188810	3/4"

LIMPET BLACKLEY INSULATION TAPE

Part No.	Description
857603	1/2" wide in rolls approx. 1/4 lb. each
857604	3/8" wide in rolls approx. 3/8 lb. each

H.T. LEAD TERMINALS

Part No.	Description
189252	5 mm.
189253	7 mm.
451093	Terminal end (fitted to 7 mm. Ignition Lead)

CABLES



TOUGH RUBBER SHEATHED FLEXIBLES

Conductors of stranded tinned copper wires, each core vulcanised in rubber. Grouped cores sheathed in tough rubber. Eminently suitable for circuits subjected to conditions of exposure or vibration. Conforms in all respects to British Standards Specification No. 7.

Number of Cores	Size of each Core	Colour	12 yd. Spool	100 ft. Spool	100 yd. Spool
			Part No.	Part No.	Part No.
2	36/36	Black	857175	857176	857177
2	70/36	Black	841000	841001	841002
2	110/36	Black	841003	841004	841005
3	36/36	Black	857190	857191	857192
3	70/36	Black	841006	841007	841008
3	110/36	Black	841009	841010	841011
4	40/36	Black	54941176	54941177	—
5	40/36	Black	54941178	54941179	—

HIGH TENSION CABLES

Lucas H.T. Cables consist of high conductivity tinned copper wire, insulated with vulcanised rubber overall. Outer covering is of Neoprene, P.V.C., rubber, or highly polished yellow and black braided cotton. For the very best results we recommend Neoprene covered cable, which is specially ozone tested and is resistant to heat, petrol and water. Neoprene, P.V.C. and high gloss cables conform to British Standards Specification 1862.

Size	Colour	Description	12 yd. Spool	100 ft. Spool	100 yd. Coil
			Part No.	Part No.	Part No.
†19./012	Black	7 mm. Standard Rubber	857146	857147	857148
19./012	Black	7 mm. Neoprene insulated to Spec. UM837, Superior Grade	857158	857159	841600
19./012	Yellow/Black	7 mm. Braided Glossy	841601	841602	841603
19./012	Red	7 mm. P.V.C.	842010	842011	—
19./012	Black	7 mm. P.V.C.	842012	842013	—
19./012	Blue	7 mm. P.V.C.	842014	842015	—
19./012	Green	7 mm. P.V.C.	842016	842017	—
19./012	White	7 mm. P.V.C.	842018	842019	—
19./012	Yellow	7 mm. P.V.C.	842020	842021	—
19./012	Purple	7 mm. P.V.C.	842022	842023	—
19./012	Grey	7 mm. P.V.C.	842024	842025	—
19./012	Orange	7 mm. P.V.C.	842026	842027	—

† This cable is not considered suitable for Export and we do not recommend it where the high tension leads are bunched together or are in close proximity to metal engine components or low tension leads. The cable will give satisfactory service if kept completely clear of all earthed points, is well ventilated, and has no acute bends in the lay.



CABLES

BRIGHT BLACK POLISHED CABLES

Bright Black Polished P.V.C. insulated, cotton braided and impregnated with multi-coats of pigmented flame-resisting lacquer to form a completely weatherproof and highly polished cable. Recommended for external wiring purposes where extra protection coupled with neat appearance is required. The cable conforms in all respects to British Standards Specification 2004. Spooled on attractive metal spools.

Number of Cores	Size of Cores	12 yd. Spool	100 ft. Spool	100 yd. Spool
		Part No.	Part No.	Part No.
1	14/.010	840526	840527	840528
1	28/.012	840529	840530	840531
1	44/.012	840532	840533	840534
2	14/.010	840535	840536	840537
2	28/.012	840538	840539	840540
2	44/.012	840541	840542	840543
3	14/.010	840544	840545	840546
3	28/.012	840547	840548	840549

GENERAL PURPOSE CABLES — 'T' TYPE — SINGLE CORE

Intended for general purpose wiring of vehicles, these cables are supplied in distinctive colours. The conductor is of high conductivity copper strands, insulated with P.V.C., which is impervious to petrol, oils and acids. The outer covering of dyed soft yarn has been specially treated to prevent rotting. The cable is braided overall and is finished with a clear cellulose lacquer. These cables have been tested successfully under the most stringent service conditions. The cables conform in all respects to British Standards Specifications 1862 and 2004.

Size of Core	Colour	100 ft. Spool	Size of Core	Colour	100 ft. Spool
		Part No.			Part No.
14/.010	Red	857282	44/.012	Purple	840179
14/.010	Yellow	857324	44/.012	Brown	840276
14/.010	Blue	857360	44/.012	Blue	840309
14/.010	White	857396	44/.012	White	840310
14/.010	Green	857427	44/.012	Green	840311
14/.010	Brown	857451	44/.012	Yellow	840312
14/.010	Purple	857463	44/.012	Red	840313
14/.010	Black	857475	44/.012	Black	840314
28/.012	Red	857285	65/.012	Brown	840286
28/.012	Yellow	857327	65/.012	Blue	840320
28/.012	Blue	857363	65/.012	White	840321
28/.012	White	857400	65/.012	Green	840322
28/.012	Green	857430	65/.012	Yellow	840323
28/.012	Brown	857454	65/.012	Red	840324
28/.012	Purple	857466	65/.012	Purple	840325
28/.012	Black	857478	65/.012	Black	840326
			120/.012	Brown	840295
			120/.012	Yellow	840304

Full range of colour combinations available—for details see Cable List 502.
12 yard and 100 yard Spools supplied if required.

GENERAL PURPOSE P.T. (P.V.C.) INSULATED CABLES — SINGLE CORE

High conductivity copper conductor, insulated with P.V.C., which is impervious to petrol, oils, diluted acids or tropical fungi. Available in an extensive range of self colours with or without a contrasting tracer extruded through to the conductor. This cable conforms in all respects to British Standards Specification 2004.

Size of Core	Colour	100 ft. Spool	Size of Core	Colour	100 ft. Spool
		Part No.			Part No.
14/.010	Green	841610	44/.012	Green	841644
14/.010	Purple	841611	44/.012	Purple	841645
14/.010	Red	841612	44/.012	Red	841646
14/.010	Blue	841613	44/.012	Blue	841647
14/.010	Yellow	841614	44/.012	Yellow	841648
14/.010	White	841615	44/.012	White	841649
14/.010	Black	841616	44/.012	Black	841650
14/.010	Brown	841617	44/.012	Brown	841651
28/.012	Green	841627	65/.012	Black	841979
28/.012	Purple	841628	65/.012	Brown	841980
28/.012	Red	841629			
28/.012	Blue	841630			
28/.012	Yellow	841631			
28/.012	White	841632			
28/.012	Black	841633			
28/.012	Brown	841634			

Full range of colour combinations available—for details see Cable List 502.

CABLES



P.V.C. INSULATING TUBING (ASSORTED COLOURS)

High grade P.V.C. flexible tubing. Resistant to water, oils, paraffin and petrol at normal temperatures. Provides sound electrical insulation.

Size of bore	Wall thickness	Colour	Part No. 100 ft. coils	Size of bore	Wall thickness	Colour	Part No. 100 ft. coils	Size of bore	Wall thickness	Colour	Part No. 100 ft. coils
2.5 mm.	.5 mm.	Black	842200	7 mm.	.5 mm.	Red	842222	12 mm.	.5 mm.	Black	842244
3 mm.	.5 mm.	Black	842201	7 mm.	.5 mm.	Yellow	842223	13 mm.	.5 mm.	Black	842245
4.5 mm.	.5 mm.	Brown	842202	7 mm.	.5 mm.	Black	842224	14 mm.	.5 mm.	Black	842246
4.5 mm.	.5 mm.	Green	842203	7 mm.	.5 mm.	Blue	842225	15 mm.	.5 mm.	Black	842247
4.5 mm.	.5 mm.	Red	842204	8 mm.	.5 mm.	Brown	842226	16 mm.	.5 mm.	Black	842248
4.5 mm.	.5 mm.	Yellow	842205	8 mm.	.5 mm.	Green	842227	17 mm.	.5 mm.	Black	842249
4.5 mm.	.5 mm.	Black	842206	8 mm.	.5 mm.	Red	842228	18 mm.	.5 mm.	Black	842250
4.5 mm.	.5 mm.	Blue	842207	8 mm.	.5 mm.	Yellow	842229	19 mm.	.5 mm.	Black	842251
5 mm.	.5 mm.	Brown	842208	8 mm.	.5 mm.	Black	842230	20 mm.	.5 mm.	Black	842252
5 mm.	.5 mm.	Green	842209	8 mm.	.5 mm.	Blue	842231	21 mm.	.5 mm.	Black	842253
5 mm.	.5 mm.	Red	842210	9 mm.	.5 mm.	Brown	842232	22 mm.	.5 mm.	Black	842254
5 mm.	.5 mm.	Yellow	842211	9 mm.	.5 mm.	Green	842233	23 mm.	.5 mm.	Black	842255
5 mm.	.5 mm.	Black	842212	9 mm.	.5 mm.	Red	842234				
5 mm.	.5 mm.	Blue	842213	9 mm.	.5 mm.	Yellow	842235				
6 mm.	.5 mm.	Brown	842214	9 mm.	.5 mm.	Black	842236	12 mm.	1.0 mm.	Black	842256
6 mm.	.5 mm.	Green	842215	9 mm.	.5 mm.	Blue	842237	14 mm.	1.0 mm.	Black	842257
6 mm.	.5 mm.	Red	842216	10 mm.	.5 mm.	Brown	842238	15 mm.	1.0 mm.	Black	842258
6 mm.	.5 mm.	Yellow	842217	10 mm.	.5 mm.	Green	842239	16 mm.	1.0 mm.	Black	842259
6 mm.	.5 mm.	Black	842218	10 mm.	.5 mm.	Red	842240	23 mm.	1.0 mm.	Black	842260
6 mm.	.5 mm.	Blue	842219	10 mm.	.5 mm.	Yellow	842241				
7 mm.	.5 mm.	Brown	842220	10 mm.	.5 mm.	Black	842242				
7 mm.	.5 mm.	Green	842221	10 mm.	.5 mm.	Blue	842243				

P.V.C. (PLASTIC) TWIN AND TRIPLE CORE CABLES

High conductivity copper conductor, insulated overall with P.V.C. Impervious to petrol, oils, diluted acids or tropical fungi. Cable conforms to British Standards Specification 1862 (where applicable).

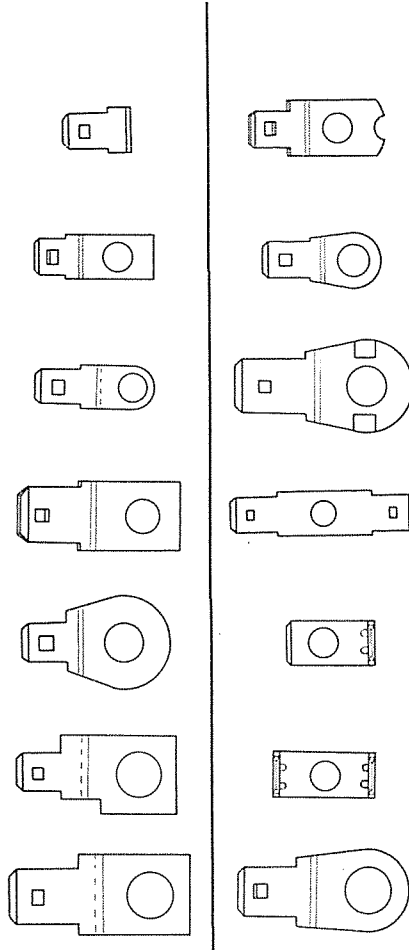
Cores	Core size	Colour	Application	Part No. 100 ft. Spools
2	14/36	Silver Grey	Parking lamp	54941174
2 (flat)	14/.010	Bronze	Demister, etc.	857921
2 (flat)	14/.010	Black	General	54941180
2 (flat)	14/.010	Red	General	54941181
2 (flat)	28/.012	Green	General	54941182
2 (flat)	28/.012	Black	General	54941183
3	40/36	Black	General	54941184
3	40/36	Grey	General	54941185
3	40/36	Brown	General	54941186



LUCAS SERVICE CONNECTORS

BLADES

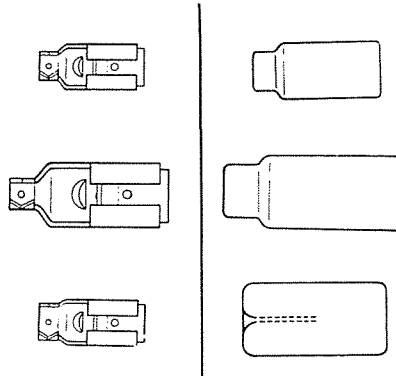
Part No.	Amps.	Fixing Hole	Application
199218 Blade	17.5	4 B.A.	TPS1/1 Switches
199275 Blade	17.5	2 B.A.	CZU34 Ammeters
199279 Blade	17.5	2 B.A.	DM2 and DM6 Distributors
199317 Blade	35	2 B.A.	CZU34 Ammeters
54190000 Blade	17.5	1/4"	General Application
54190013 Blade	17.5	5/16"	ST950 Switches
54190014 Blade	35	5/16"	ST950 Switches



Part No.	Amps.	Fixing Hole	Application
54190015 Blade	17.5	2 B.A.	ST950 Switches
54190038 Blade	17.5	2 B.A.	C39PV-2F Generators
54190044 Blade	35	1/4"	C39PV-2D Generators
54190076 Blade	17.5	3 B.A.	Earthing Connector (double contact)
54190096 Blade	17.5	2 B.A.	LA12 & HA12 Ignition Coils
54190108 Blade	17.5	2 B.A.	LA12 Ignition Coils
54199524 Blade	17.5	5/16"	Earthing Connectors

FEMALE CONNECTORS

54942078 Female	17.5	Single Leads only
54942079 Female	35	Double or Single Leads
54942747 Female	17.5	Double Lead Connector



54190042 Insulating Cover	Used with Female Connector 54942078
54190043 Insulating Cover	Used with Female Connector 54942079
54190119 Insulating Cover	Used with Female Connector 54942747

54944898 Inhibitor (Insulating Cover and Female Connector)		Made up with 4" of cable and a Female Connector to fit on to the field terminal of the Control Box
---	--	--