

# LUCAS

## GENERATORS

### DYNAMOTOR, ALTERNATORS

**ALTERNATORS**

## Model Interpretation

IA	Induction type alternator.
45	4½" diameter yoke.
2AC	Two-cycle alternator.

**DYNAMOTOR**

## Model Interpretation

A	Combined generator and starting motor.
900	5¾" diameter yoke.
R	Third brush control, 4-pole.

**GENERATORS**

## Model Interpretation

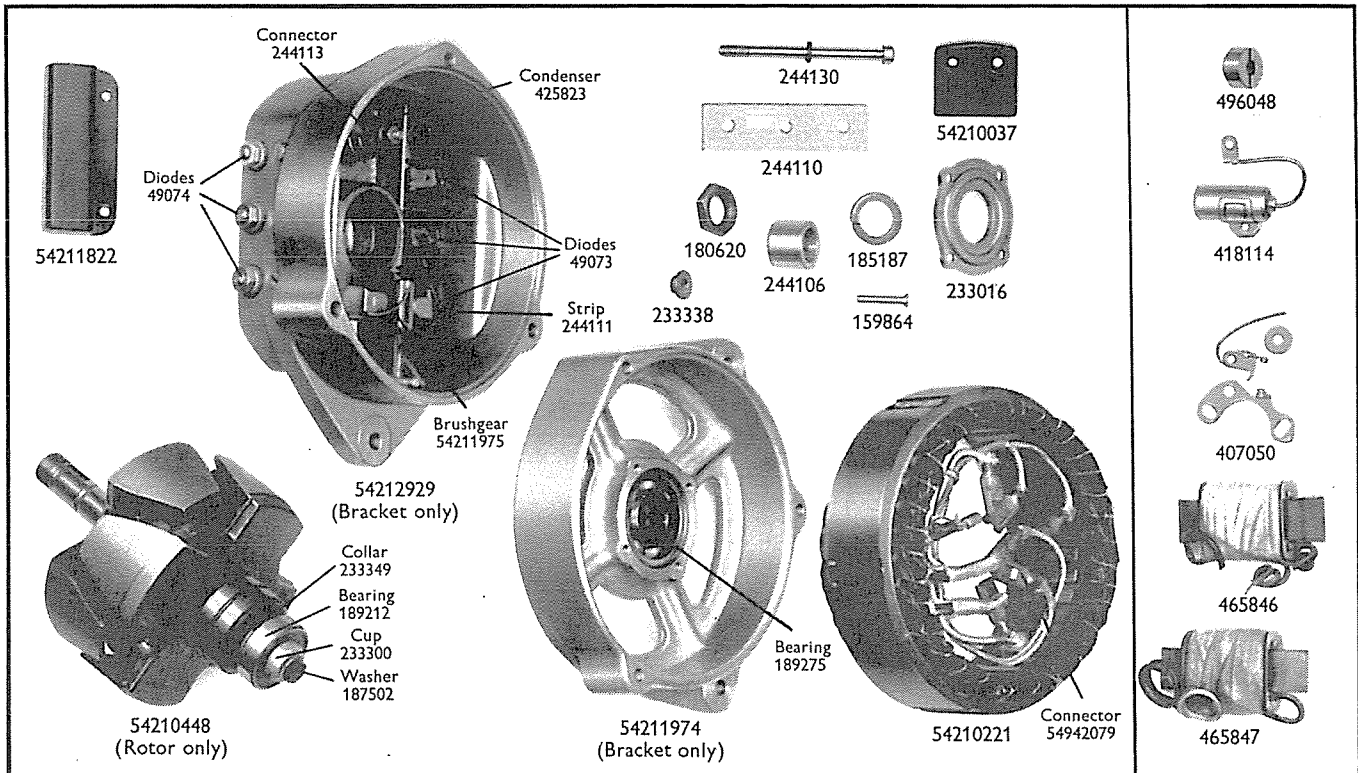
C	Concentrically mounted armature.	L	Long type yoke, voltage control.
E	Eccentrically mounted armature.	M	Third brush control, 2-pole.
3	3" diameter yoke.	P	Voltage control, 2-pole, long type yoke.
35	3.5" diameter yoke.	S	Special finish.
39	3.9" diameter yoke.	V	Ventilated.
40	4" diameter yoke.	X	Voltage control, 2-pole, plug type connector; small circular, or no windows in yoke.
418	4½" diameter yoke.	Y	Voltage control, 2-pole, short type yoke.
45	4.5" diameter yoke.	Z	Voltage control, 2-pole, long type yoke, plug type connections.
47	4.7" diameter yoke.	RA5	5" rectangular shaped laminated yoke, voltage control, special finish.
48	4.8" diameter yoke.		
5	5" diameter yoke.		

## Model Reference

Model	Part No.	Model	Part No.	Model	Part No.	Model	Part No.
2AC	23500	C39ZV	22251A	C45PV-5	22478	C45YV-3	22448
A900R	24524	C39ZV	22253A/B	C45PV-5	22483	C45YV-3	22449B
C35MV	22005	C40	22704	C45PV-5	22524	C45YV-3	22450
C35MV	22007	C40-1	22700	C45PV-5	22529	C45YV-3	22451
C35MV	22009	C45P-B	22439	C45PV-6	22489	C45YV-3	22452
C35YV	22006	C45P-3	22455A/B	C45PV-6	22494	C45YV-3	228139
C35YV	22008	C45P-3	238464	C45PV-6	22497	C45YV-3	228199
C39P	22255	C45P-3	238498	C45PV-6	22502	C45YV-3	228240
C39P-2	22259	C45P-5	22455D	C45PV-6	22503	C45YV-3	228306
C39PV	22250	C45PV-3	22413	C45PV-6	22519	C45YV-3	228365
C39PV	22251	C45PV-3	22417D	C45PV-6	22528	C45YV-4	22449D
C39PV	22253	C45PV-3	22424	C45PV-6	22530	C45YV-5	22409J
C39PV	22257	C45PV-3	22428	C45PV-6	22532	C45YV-5	22448D
C39PV	22260	C45PV-3	22446	C45PVB	22434	C45YV-5	22472
C39PV-2	22258	C45PV-3	22447	C45PVS	22417	C45YV-5	22482
C39PV-2	22262	C45PV-3	22453	C45PVS	22429D/H	C45ZV	22429A
C39PV-2	22265	C45PV-3	238311	C45PVS-5	22462	C45ZVH	22417E
C39PV-2	22268	C45PV-3	238395	C45PVS-6	22496	C47	22481
C39PV-2	22293	C45PV-4	22435	C45NV-3	228137	C47	22492
C39PV-2	22295	C45PV-4	22436	C45WV-3	22474	C48	22800
C39PV-2	22297	C45PV-4	22441	C45WV-3	238184	C48	22802
C39PV-2	22299	C45PV-4	22443	C45XV	22409	C48	22803
C39PV-2	22300	C45PV-5	22456	C45XV	22411	E3L	20009
C39PVR-2	22279	C45PV-5	22458	C45XV	22431	E3L	20035
C39PVR-2	22290	C45PV-5	22461	C45XV	22433	IA45	47068
C39PVR-2	22296	C45PV-5	22465	C45YV-3	22416	RA5	23000
C39ZV	22250A	C45PV-5	22470	C45YV-3	22430	RA5	23002



# ALTERNATORS



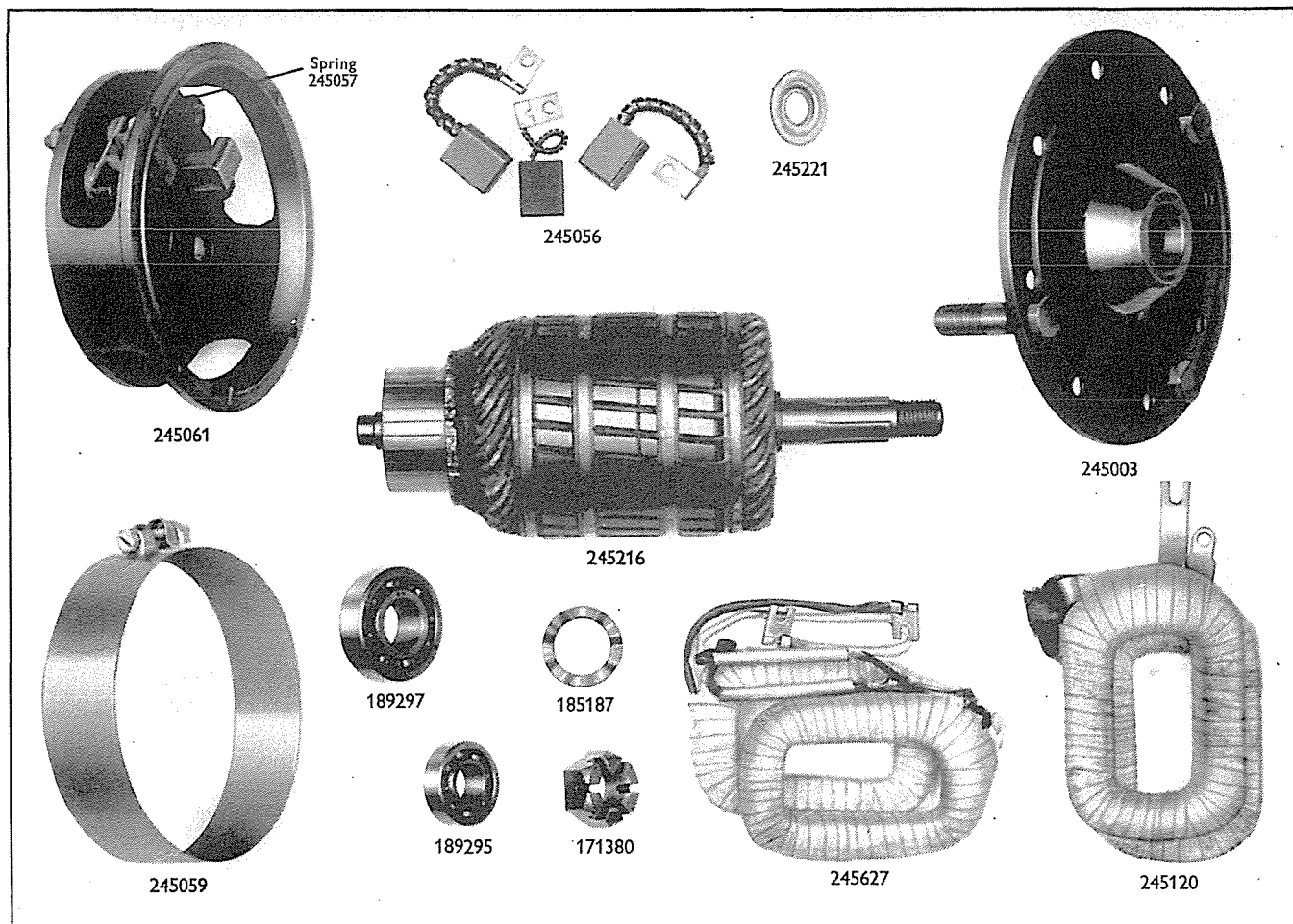
## DETAILED SPARE PARTS

Part No.	23500A
Model	2AC
Rotation	Clock
§ Bolt, through fixing	244130
§ Bracket, slip ring end, complete with brushgear and brushes	54212929
§ Brushgear, with brushes	54211975
§ Brushes, set	244018
§ Springs, set, brush tension	54210582
§ Shield, moulded, inspection	54210037
§ Condenser	425823
Connector, copper, condenser to diode strip	244113
Strip, mica, connecting strip insulating	244110
Strip, copper, cooling	244111
§ Diode, rectifier, black, hexagon base	49074
§ Diode, rectifier, red, hexagon base	49073
Bush, diode insulating	233338
Cover, diode terminals protecting	54211822
§ Stator	54210221
Connector, Lucar, female	54942079
§ Bracket, drive end, with bearing plate and screws	54211974
Plate, bearing, drive end	233016
§ Screw, bearing plate fixing	159864
§ Bearing, drive end	189275
§ Nut, shaft	180620
Washer, shaft nut	185187
Collar, drive end bearing	244106
§ Rotor, with slip ring	54210448
§ Bearing, slip ring end	189212
Collar, distance, slip ring end	233349
Cup, bearing retaining, slip ring end	233300
§ Sundry parts, set	54211976

Part No.	47068H
Model	IA45
Rotation	Clock
§ Condenser	418114
§ Contact set	407050
Felt, cam lubrication	411541
Base, complete with pivot pins	465731
Bush, terminal insulating	161735
Plate, terminal insulating	405319
§ Cam	496048
Clamp, coil fixing	465718
Clip, cable	465761
Pad, insulating	465844
Clamp, cable	465717
§ Coil, left hand	465847
§ Coil, right hand	465846
§ Sundry parts, set	465784

§ Recommended spares for stock

# DYNAMOTOR

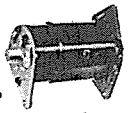


## DETAILED SPARE PARTS

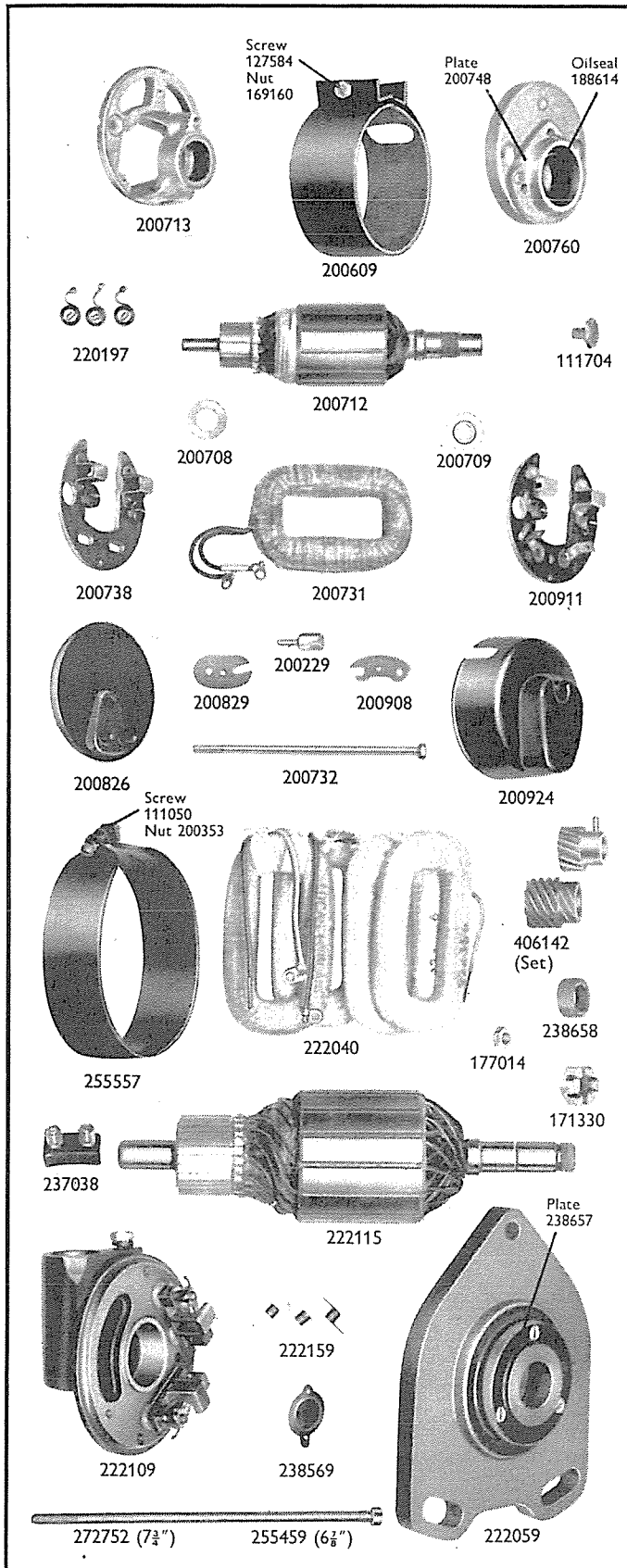
Part No. . . . .	†24524A	Part No. . . . .	†24524A
Model . . . . .	A900R	Model . . . . .	A900R
Type . . . . .	A25-0	Type . . . . .	A25-0
Voltage . . . . .	12	Voltage . . . . .	12
Rotation . . . . .	Clock	Rotation . . . . .	Clock
Earth or Insulated Return . . . . .	E.R.	Earth or Insulated Return . . . . .	E.R.
§Cover band . . . . .	245059	Bracket or frame, drive end . . . . .	245003
Screw, cover band fixing . . . . .	111050	Armature . . . . .	245216
Nut, cover band fixing screw . . . . .	200553	Nut, shaft . . . . .	171380
§Bearing, commutator end . . . . .	189295	Washer, shaft . . . . .	185187
Carrier assembly, control . . . . .	245055	Oil thrower, commutator end . . . . .	245221
§Brushes, set . . . . .	245056	Oil thrower, drive end . . . . .	245192
§Bracket, commutator end . . . . .	245061	Screw, thrust, commutator end . . . . .	245237
§ Springs, set, brush tension . . . . .	245057	Field coils, set, shunt . . . . .	245627
Terminal, main . . . . .	245109	Field coils, set, series . . . . .	245120
Bearing, drive end . . . . .	189297		

† Return unit for repair

§ Recommended spares for stock



# E3L AND C418H GENERATORS



Part No. . . . .	†20009A/J	20035A
Model . . . . .	E3L	E3L
Type . . . . .	R0-0	L1-0
Voltage . . . . .	6	6
Rotation . . . . .	Anti-clock	Anti-clock
Earth or Insulated Return . . . . .	E.R.	E.R.
Finish . . . . .	Standard	Standard
Replaced by (see footnote) . . . . .	(20035)	—
§Cover band assembly . . . . .	200609	—
Screw, cover band fixing . . . . .	127584	—
Nut, cover band fixing screw . . . . .	169160	—
§Brushes, set . . . . .	200737	200737
§Bracket or frame, commutator end . . . . .	200713/S	200910
§Bearing . . . . .	189210	189210
Washer, felt, bearing . . . . .	200708	200708
Cup, felt, bearing washer . . . . .	200709	200709
§Insulating plate (complete with brush boxes, etc.) . . . . .	200738	200911
§Springs, set, brush tension . . . . .	220197	200197
Ring, sealing, rubber . . . . .	—	369201
§Cover, commutator end . . . . .	200826	200924
Terminal pin . . . . .	200229	§200895
Plate, terminal clamping . . . . .	200829	200908
§Bearing . . . . .	189307	189307
§Bracket or frame . . . . .		
Drive end . . . . .	200760	200760
Plate, bearing . . . . .	200748	200748
§ Seal, oil . . . . .	188614	188614
§ Screw, end, gear retaining . . . . .	111704	111704
§Armature . . . . .	200712	200712
§Field coils, set . . . . .	200731	200731
§Bolt, through fixing . . . . .	200732	200732
§Sundry parts, set . . . . .	200806	200806

Part No. . . . .	‡  20900A
Model . . . . .	C418H-0
Type . . . . .	AJ30-0
Voltage . . . . .	6
Rotation . . . . .	Clock
Earth or Insulated Return . . . . .	E.R.
Finish . . . . .	Standard
§Cover band . . . . .	255557
Screw, cover band fixing . . . . .	111050
Nut, cover band fixing screw . . . . .	200553
§Brushes, set . . . . .	222086
§Bracket or frame, commutator end . . . . .	222109
§ Bushing or bearing, commutator end . . . . .	189295
Oiler or oil disc and felt . . . . .	238569
§ Springs, set, brush tension . . . . .	222159
§Shaft nut, armature . . . . .	171330
Washer, shaft . . . . .	146240
§Armature . . . . .	222115
Spring, commutator end . . . . .	171290
§Gears, set . . . . .	406142
Nut, bearing retaining . . . . .	171330
Collar, drive end bearing . . . . .	238658
§Bearing, drive end . . . . .	189296
§Bracket or frame, drive end . . . . .	222059
Plate, bearing . . . . .	238657
§Terminal block or cover . . . . .	237038
§Field coils, set . . . . .	222040
§Bolt, through fixing . . . . .	272752
	‡255459

Note. For replacement generator spare parts, see appropriate column under part number. † When ordering, quote part number shown in brackets.  
 ‡ Return unit for repair § Recommended spares for stock || Complete with Distributor 409607 ¶ Short bolt § Grommet, cable

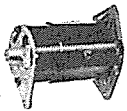
DETAILED SPARE PARTS

Part No. . . . .	22481A/J	22481M/T	22492A/E	22492H/M	22800A/B	22802A/B	§22803A
Model . . . . .	C47	C47	C47	C47	C48	C48	C48
Type . . . . .	N35	N35	BN258	BN258	N38	CW83	GC86
Voltage . . . . .	12	12	12	12	12	12	12
Rotation . . . . .	Clock	Clock	Clock	Clock	Clock	Clock	Clock
Earth or Insulated Return . . . . .	E.R.	E.R.	E.R.	E.R.	E.R.	E.R.	E.R.
§Cover band . . . . .	233019	233019	233019	233019	54210341	54210341	54211557
Screw, cover band fixing . . . . .	127584	127584	127584	127584	127584	127584	127584
Nut, cover band fixing screw . . . . .	169160	169160	169160	169160	169160	169160	169160
§Brushes, set . . . . .	233204	233204	233204	233204	233204	233204	233204
§Bracket or frame, commutator end . . . . .	233134	233134	233134	233134	54210375	54211620	54212309
§ Springs, set, brush tension . . . . .	232663	233358	232663	233358	233358	233358	54212767
Condenser . . . . .	—	—	—	—	420677	—	—
§Oiler assembly . . . . .	239368	239368	239368	239368	‡233300	‡233300	—
Screw, fixing, commutator end bearing . . . . .	—	—	—	—	147840	147840	—
Washer, thrust, commutator end . . . . .	—	—	—	—	164718	164718	164718
§Bearing, commutator end . . . . .	239263	239263	239263	239263	189212	189212	189237
Collar, distance, commutator end . . . . .	—	—	—	—	233349	233349	54211618
§Bracket or frame, drive end . . . . .	233135	233135	233135	233135	233135	233135	54212310
Plate, bearing . . . . .	233016	233016	233016	233016	233016	233016	233016
Capacitor . . . . .	420677	420677	—	—	—	—	—
Collar, distance, drive end bearing . . . . .	238042	238042	238042	238042	239898	239898	54211545
Collar, bearing retaining ring . . . . .	233081	233081	233081	233081	54210314	54210314	54210314
§Bearing, drive end . . . . .	189275	189275	189275	189275	189275	189275	189314
Bolt, bracket lug, drive end . . . . .	—	—	—	—	148320	148320	—
§Nut, shaft . . . . .	180620	180620	180620	180620	198840	198840	198840
Washer, spring, shaft nut . . . . .	185187	185187	185187	185187	185125	185125	185125
Washer, plain, shaft nut . . . . .	—	—	—	—	146120	146120	146120
§Armature . . . . .	233105	233105	233105	233105	54210318	54210318	54211541
Retainer, bearing ring . . . . .	238824	238824	238824	238824	¶187502	¶187502	¶54211246
Terminal, field . . . . .	233062	233062	233062	233062	233062	233062	54110256
Terminal, main . . . . .	—	—	—	—	—	—	54110246
§Field coils, set . . . . .	233012	233012	233012	233012	54210313	54210853	54212343
§Bolt, through fixing . . . . .	233018	233018	233018	233018	233325	233325	54211544
§Sundry parts, set . . . . .	233133	233133	233133	233133	233133	233133	233133

C47 AND C48 GENERATORS

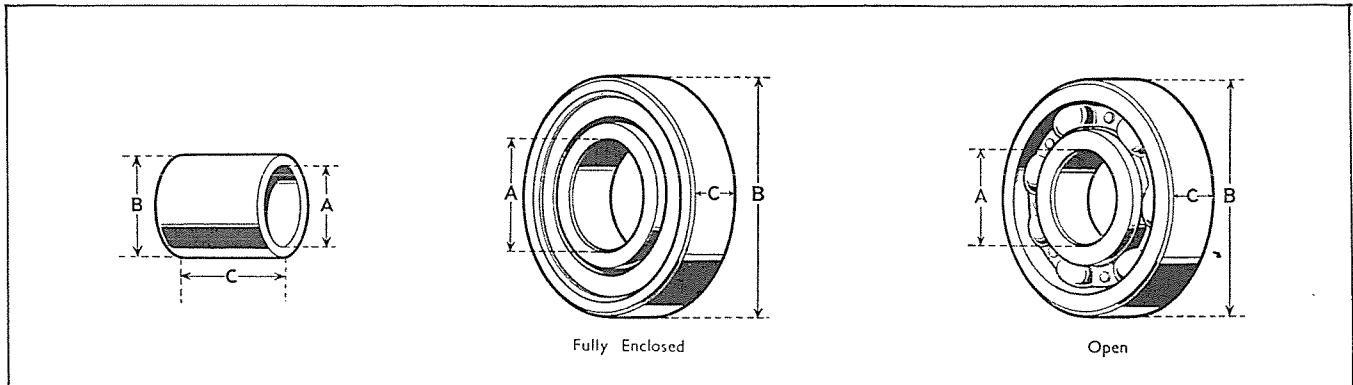
22481 — 22803

‡ Cup, retaining    § Recommended spares for stock    ¶ Washer, locking    ¶ Plate, terminal insulating    § Coupling 54210027 and plate, driving 239889 supplied separately



# GENERATORS

## BEARINGS AND BEARING BUSHES



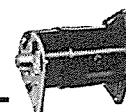
### BEARING CHART

Part No.	Type	Description	Bore A	Outside Diameter B	Width C
189210	108	Single row; rigid ball journal; light type; metric sizes .. .. .	8 mm.	22 mm.	7 mm.
189212	115RS	Single row; rigid ball journal; light type; metric sizes; rubber sealed	15 mm.	35 mm.	16 mm.
189237	115P	Single row; rigid ball journal; light type; metric sizes; fully enclosed	17 mm.	40 mm.	12 mm.
189238	117P	Single row; rigid ball journal; light type; metric sizes; fully enclosed	17 mm.	40 mm.	12 mm.
189275	N4957 (Special)	Ball journal; metric sizes .. .. .	17 mm.	47 mm.	14 mm.
189277	L3389 (Special)	Roller journal; English sizes .. .. .	.500"	1.625"	.625"
189290	115RSV2	Single row; rigid ball journal; light type; metric sizes; rubber sealed	15 mm.	35 mm.	11 mm.
189295	LS5	Single row; rigid ball journal; light type; English sizes .. ..	.500"	1.312"	.375"
189296	LS7	Single row; rigid ball journal; light type; English sizes .. ..	.625"	1.562"	.437"
189297	LS8	Single row; rigid ball journal; light type; English sizes .. ..	.750"	1.875"	.562"
189307	115	Single row; rigid ball journal; light type; metric sizes .. .. .	15 mm.	35 mm.	11 mm.
189308	117	Single row; rigid ball journal; light type; metric sizes .. .. .	17 mm.	40 mm.	12 mm.
189314	317	Single row; rigid ball journal; medium type; metric sizes .. ..	17 mm.	47 mm.	14 mm.

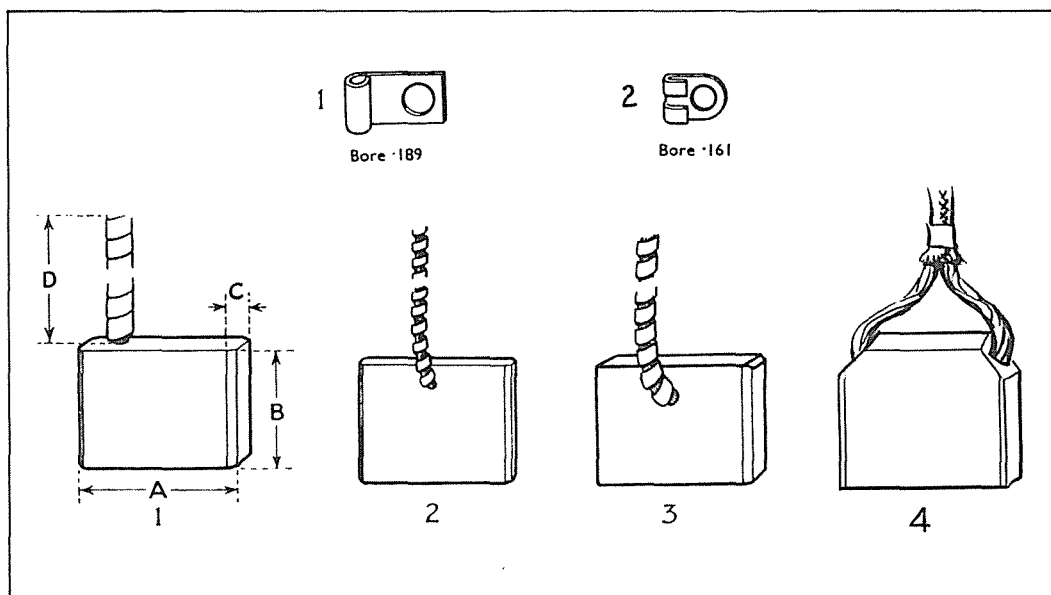
### BEARING BUSH CHART

Part No.	Fitted to Models	Dimensions in inches		
		Bore A	Diameter B	Width C
220258	C35MV, C35XV, C35YV, C39P, C39PV and C39ZV .. .. .	.594	.716	.750
220418	C35MV .. .. .	.506	.629	.750
220598	C35MV .. .. .	.506	.629	.786
227818	C39PV-2 and C40-1 .. .. .	.594	.716	.875
238567	C45NV, C45P, C45PV, C45WV, C45XV and C45YV .. .. .	.628	.754	.968
239263	C45PV and C47 .. .. .	.628	.754	1.218

# GENERATORS

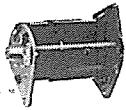


## BRUSH CHART

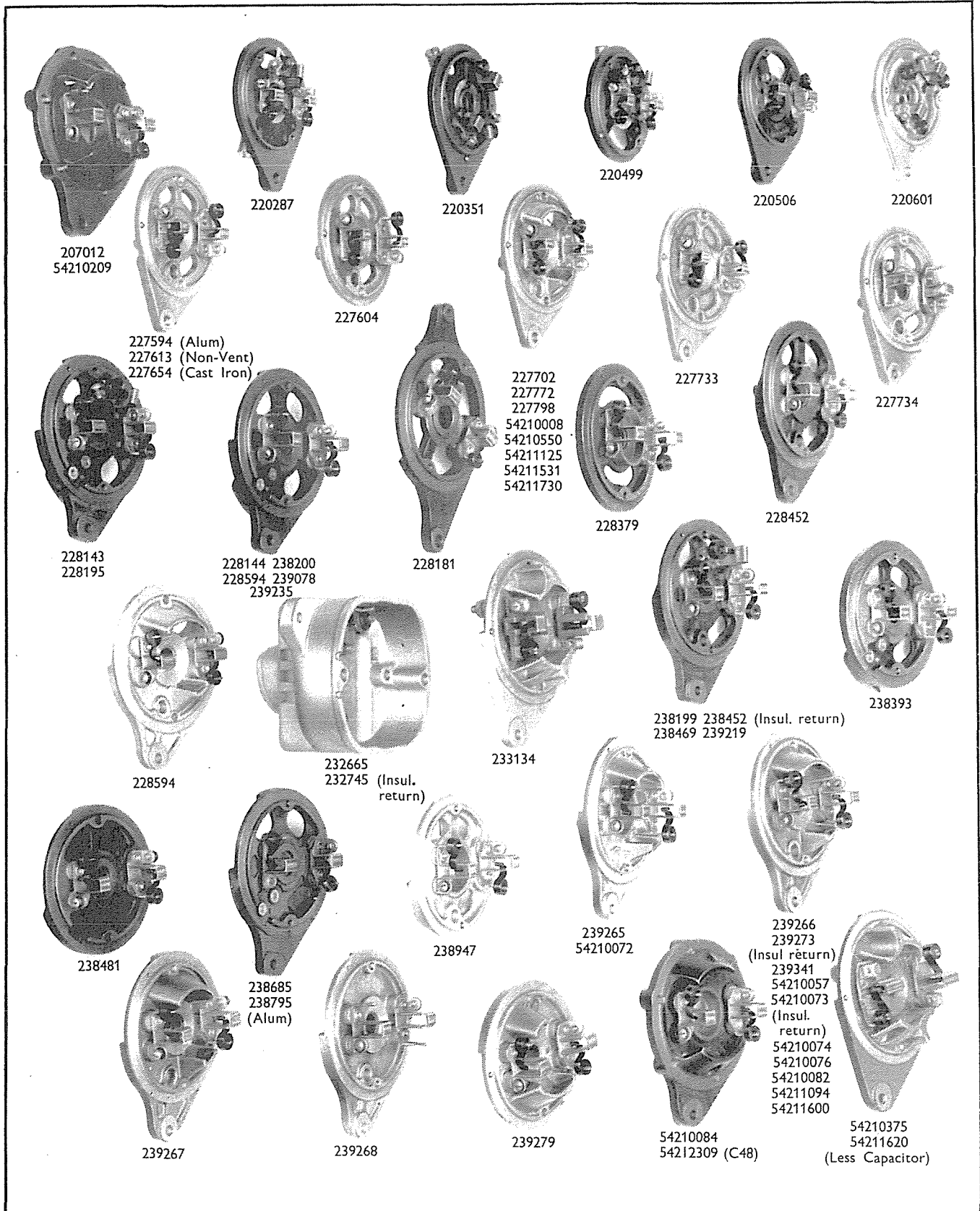


Part No.	Fitted to	No. off per set	Set comprises: Brushes Part Nos.	Dimensions in inches				Brush Index No.	Eyelet Index No.
				A	B	C	D		
200737	E3L .. .. .	2	200736	.499	.562	.249	3.25	1	2
203148	C45XV and C45YV .. ..	2	203136	.747	.750	.278	3.00	1	2
220196	C35MV and C35XV .. ..	2	220173	.497	.562	.247	2.00	1	2
			220174	.497	.562	.100	2.00	1	2
220383	C35YV .. .. .	2	220173	.497	.562	.247	2.00	1	2
222086	C418H .. .. .	2	222033	.747	.625	.309	2.50	1	1
224751	C40-1 .. .. .	2	224012	.997	.875	.312	2.50	1	1
			224032	.997	.875	.100	2.50	2	1
227305	C39P, C39PV and C39ZV ..	2	227304	.749	.687	.249	3.00	1	1
228179	C45NV .. .. .	2	203136	.747	.750	.278	3.00	1	1
			228043	.750	.750	.100	2.50	2	1
232662	RA5 .. .. .	2	232655	1.00	.875	.312	2.50	3	1
233204	C47 and C48 .. .. .	2	233183	.984	.880	.208	2.312	4	1
238038	C45WV .. .. .	2	238055	1.00	.750	.312	2.406	1	1
			238090	1.00	.750	.100	2.50	2	1
238061	C45P and C45PV .. .. .	2	238035	1.00	.750	.312	2.406	1	1
238240	C45PV and C45ZV .. .. .	2	238227	1.00	.750	.312	2.50	1	1
244018	2AC .. .. .	2	244018	.312	.625	.180	1.812	2	—
245056	A900R .. .. .	2	245005	.747	.937	.397	2.75	1	1
			245006	.747	.937	.185	2.25	1	1
54210090	C45PV-6 .. .. .	2	54210058	.999	.850	.249	2.406	1	1
54212267	C45PV-6 .. .. .	2	54210055	.999	.850	.249	1.906	1	1

Items shown in 'Set Comprises' column are for reference purposes only. Always quote Part No.



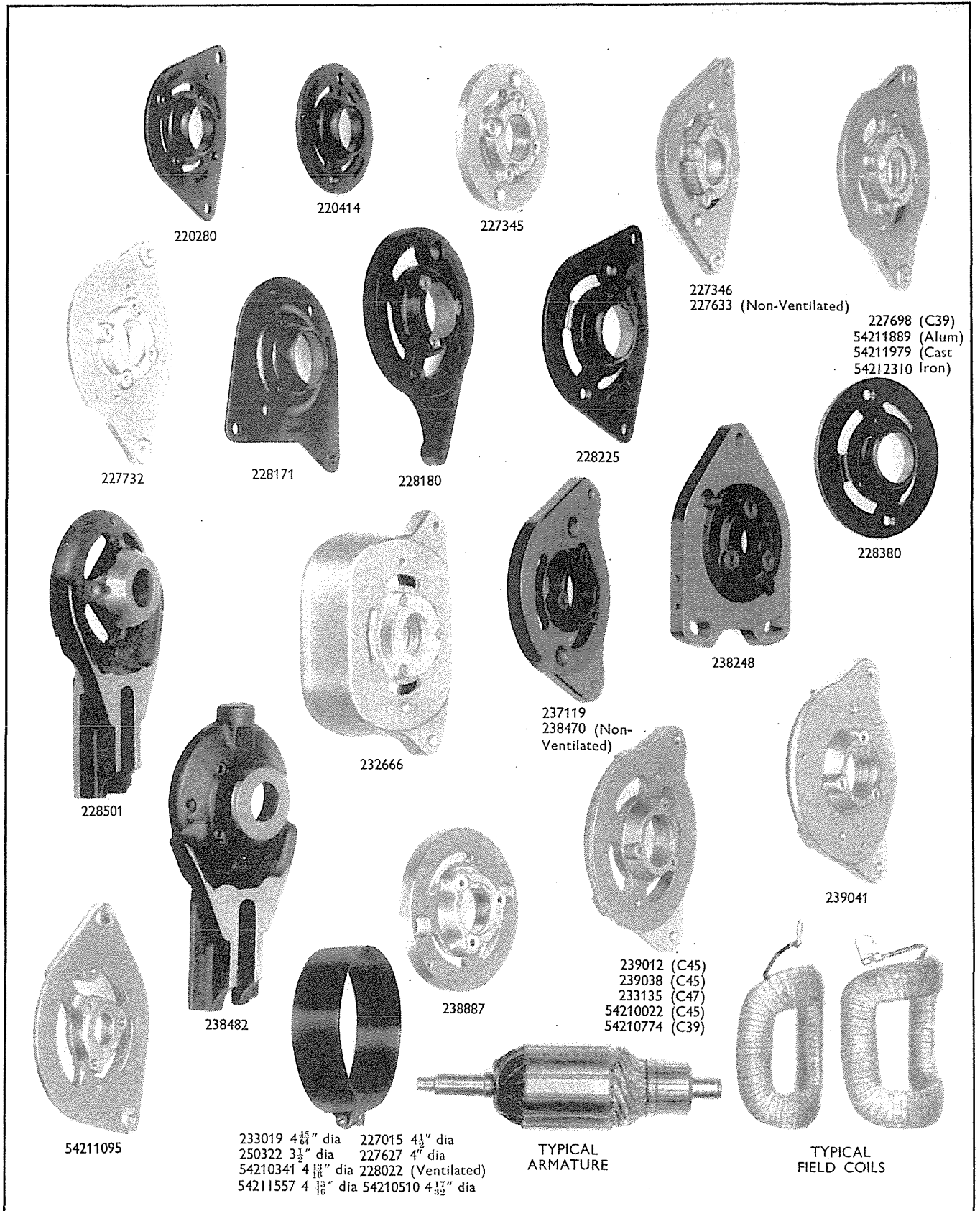
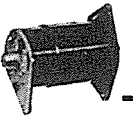
# GENERATORS



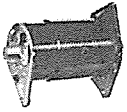
For detailed spare parts, see pages D5 and D11-D20



# GENERATORS



For detailed spare parts, see pages D5 and D11-D20



# GENERATORS

## BRUSH SPRINGS



227542  
232663  
233358  
54212767

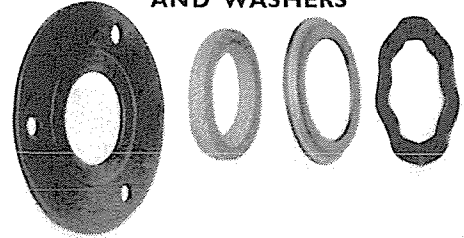


228159



238062  
54210091

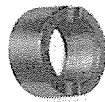
## TYPICAL BEARING PLATE AND WASHERS



## SHAFT NUTS



180396  $\frac{7}{16}$ " dia  
180620  $\frac{5}{8}$ " dia  
180630  $\frac{7}{16}$ " dia  
180636  $\frac{7}{16}$ " dia



180732  $\frac{5}{8}$ " dia  
180740  $\frac{7}{16}$ " dia  
198800  $\frac{11}{16}$ " dia  
198840  $\frac{3}{4}$ " dia  
228375  $\frac{1}{2}$ " dia



54211246

## CONNECTORS



227571



238742

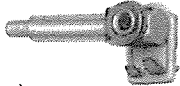


238743

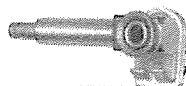
## TERMINALS



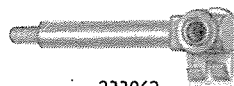
238631  
245109 ( $1\frac{3}{4}$ " long)  
54110246 (Hex. head)  
54110256 (Hex. head)



227625



227729



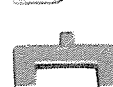
233062



54210027



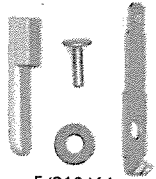
54190044



239889

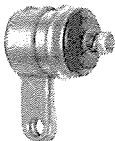


54190038

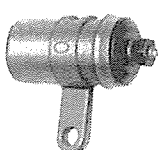


54210464  
54211890

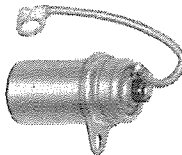
## CONDENSERS



232729



232753



420677

## OILERS



227914



238367

Wick and Spring  
228141



238954



239368  
54211097

## TERMINAL BLOCKS AND COVERS



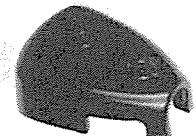
224009



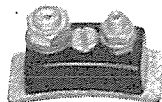
238234



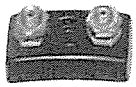
238494



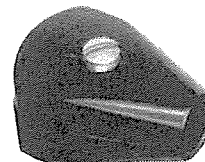
238684



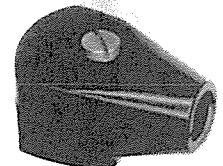
54210020



220278



224345



238495

## SUNDRY PARTS SET (TYPICAL)

### THROUGH BOLTS



220201  $6\frac{1}{2}$ " long  
227269  $6\frac{1}{2}$ " long

228398  $6\frac{1}{8}$ " long  
228539  $6\frac{1}{8}$ " long



207008  $7\frac{3}{16}$ " long  
228335 6" long  
228336  $6\frac{3}{8}$ " long

232637  $6\frac{5}{16}$ " long  
233018  $8\frac{5}{32}$ " long  
233325  $8\frac{1}{32}$ " long

270131  $7\frac{3}{64}$ " long  
272752  $7\frac{3}{4}$ " long  
54211544  $8\frac{1}{8}$ " long

For detailed spare parts, see pages D5 and D11-D20

**DETAILED SPARE PARTS**

Part No. . . . .	22005B	‡22006B	22007B	22008A/B	22009E/F	†22250A	†22250E/F	†22251A	†22251E/F	22253A/B	22253F/H	†22255A/H
Model . . . . .	C35MV	C35YV	C35MV	C35YV	C35MV	C39ZV	C39PV	C39ZV	C39PV	C39ZV	C39PV	C39P
Type . . . . .	AD11	FQ5-0	L2-0	V74-0	CW17	L-0	L-0	L-0	L-0	A163	A163	L1-1
Voltage . . . . .	6	6	6	6	6	12	12	6	6	12	12	12
Rotation . . . . .	Clock	Anti-clock	Clock	Clock	Clock	Clock	Clock	Clock	Clock	Clock	Clock	Clock
Insulated or Earth Return . . . . .	E.R.	E.R.	E.R.	E.R.	E.R.	E.R.	E.R.	E.R.	E.R.	E.R.	E.R.	E.R.
Finish . . . . .	Standard	Standard	Standard	Standard	Standard	Standard	Standard	Standard	Standard	Standard	Standard	Standard
Replaced by (see footnote) . . . . .	—	—	—	—	—	(22258)	(22258)	(22262)	(22262)	—	—	(22259)
§Cover band . . . . .	250322	250322	250322	250322	250322	—	227627	—	227627	—	227627	227627
Screw, cover band fixing . . . . .	127584	127584	127584	127584	127584	—	127584	—	127584	—	127584	127584
Nut, cover band fixing screw . . . . .	169160	169160	169160	169160	169160	—	169160	—	169160	—	169160	169160
§Brushes, set . . . . .	220196	220383	220196	220383	220196	227305	227305	227305	227305	227305	227305	227305
§Bracket or frame, commutator end . . . . .	220499	220506	220287	220351	220601	227594	227594	227594	227594	227604	227604	227613
§ Bushing or bearing . . . . .	220418	220258	220258	220258	220598	220258	220258	220258	220258	220258	220258	220258
§ Oiler assembly . . . . .	238367	238367	238367	238367	—	238367	238367	238367	238367	238367	238367	238367
Wick and spring . . . . .	228141	228141	228141	228141	—	228141	228141	228141	228141	228141	228141	228141
Plug, bush . . . . .	—	220262	—	220262	—	—	—	220262	—	220262	—	—
§ Springs, set, brush tension . . . . .	220197	220197	220197	220197	220197	228159	228159	228159	228159	228159	228159	228159
Plate, terminal location . . . . .	—	—	—	—	—	227583	227583	—	227583	—	227583	227583
§Bearing, drive end . . . . .	189307	189307	189307	189307	189307	189307	189307	189307	189307	189307	189307	189237
§Bracket or frame, drive end . . . . .	220414	220280	220280	220280	220280	227346	227346	227346	227346	227345	227345	227633
Plate, bearing . . . . .	220202	220202	220202	220202	220202	220202	220202	220202	220202	220202	220202	220202
Washer, corrugated, bearing . . . . .	158730	158730	158730	158730	158730	158730	158730	158730	158730	158730	158730	158730
Washer, dished . . . . .	220421	220421	220421	220421	220421	220421	220421	220421	220421	220421	220421	220421
Bolt, lug, $\frac{1}{16}$ " , 18 A.N.F. . . . .	—	—	—	—	—	—	112557	112557	112557	—	—	112557
§Nut, shaft . . . . .	180630	180396	180630	180396	180630	198800	198800	180740	198800	198800	198800	198800
Washer, shaft nut . . . . .	188350	188350	188350	188350	188350	188350	185085	188350	188350	188350	188350	188350
§Armature . . . . .	220162	220281	220281	220281	220162	227680	227271	227294	227294	227680	227271	227271
Retainer, bearing ring . . . . .	227631	227631	227631	227631	227631	227631	227631	227631	227631	227631	227631	227631
Collar, drive end bearing . . . . .	220164	220164	220164	220164	220164	227532	227532	227532	227532	227532	227532	227532
Collar, distance, commutator end . . . . .	—	—	—	—	164736	164736	164736	164736	164736	164736	164736	164736
§Block, terminal . . . . .	220278	220278	220278	220278	—	—	—	—	—	—	—	—
§Field coils, set . . . . .	220308	220447	220308	220380	220308	227291	227291	227292	227292	227291	227291	227291
Terminal, field or assembly . . . . .	—	—	—	—	—	238631	227625	238631	227625	238631	227625	227625
Tube, terminal insulating . . . . .	—	—	—	—	—	—	857692	—	857692	—	857692	857692
§Bolt, through fixing . . . . .	220201	220201	220201	220201	220201	227269	227269	227269	227269	227269	227269	227269
§Connector, main . . . . .	—	—	—	—	—	227571	—	227571	—	227571	—	—
§Connector, field . . . . .	—	—	—	—	—	238742	—	238742	—	238742	—	—
§Sundry parts, set . . . . .	249684	249684	249684	249684	249684	227726	227726	227726	227726	227726	227726	227726

Note. For replacement generator spare parts, see appropriate column under part number    † When ordering, quote part number shown in brackets    ‡ Return unit for repair    § Recommended spares for stock

For illustrations, see pages D6-D10

**GENERATORS**

22005 — 22255

DETAILED SPARE PARTS

D12

22257 — 22265

Part No. . . . .	†22257A	22258D	22258E/H	22259A/B	22259D/E	22259F/H	†22260A	22262A/B	22262D	22262E/H	22265A	22265B
Model . . . . .	C39PV	C39PV-2	C39PV-2	C39P-2	C39P-2	C39P-2	C39PV	C39PV-2	C39PV-2	C39PV-2	C39PV-2	C39PV-2
Type . . . . .	DA41	L-0	L-0	L1-0	L1-0	L1-0	FA81	L-0	L-0	L-0	DA41	DA41
Voltage . . . . .	12	12	12	12	12	12	12	6	6	6	12	12
Rotation . . . . .	Clock	Clock	Clock	Clock	Clock	Clock	Clock	Clock	Clock	Clock	Clock	Clock
Insulated or Earth Return . . . . .	E.R.	E.R.	E.R.	E.R.	E.R.	E.R.	I.R.	E.R.	E.R.	E.R.	E.R.	E.R.
Finish . . . . .	Special	Standard	Standard	Standard	Standard	Standard	Standard	Standard	Standard	Standard	Standard	Standard
Replaced by (see footnote) . . . . .	(22265)	—	—	—	—	—	(22268)	—	—	—	—	—
§Cover band . . . . .	227627	227627	—	227627	227627	—	227627	227627	227627	—	227627	227627
Screw, cover band fixing . . . . .	127584	127584	—	127584	127584	—	127584	127584	127584	—	127584	127584
Nut, cover band fixing screw . . . . .	169160	169160	—	169160	169160	—	169160	169160	169160	—	169160	169160
§Brushes, set . . . . .	227305	227305	227305	227305	227305	227305	227305	227305	227305	227305	227305	227305
§Bracket or frame, commutator end . . . . .	227654	227702	227702	227733	227733	227733	227734	227702	227702	227702	227772	227772
§  Bushing or bearing . . . . .	220258	227818	227818	227818	227818	227818	220258	227818	227818	227818	227818	227818
§  Oiler assembly . . . . .	238367	227914	227914	238367	227914	227914	238367	238367	227914	227914	238367	227914
Wick and spring . . . . .	228141	—	—	228141	‡227963	—	228141	228141	—	—	228141	—
§  Springs, set, brush tension . . . . .	228159	228159	228159	228159	228159	228159	228159	228159	228159	228159	228159	228159
Plate, terminal location . . . . .	227583	227694	227851	227694	227851	227851	227583	227694	227851	227851	227694	227694
§Bearing, drive end . . . . .	189307	189307	189307	189237	189237	189237	189307	189307	189307	189307	189307	189307
§Bracket or frame, drive end . . . . .	227346	227698	227698	227732	227732	227732	227346	227698	227698	227698	227698	227698
Plate, bearing . . . . .	220202	220202	220202	220202	220202	220202	220202	220202	220202	220202	220202	220202
Washer, corrugated, bearing . . . . .	158730	158730	158730	158730	158730	158730	158730	158730	158730	158730	158730	158730
Washer, dished . . . . .	220421	220421	220421	220421	220421	220421	220421	220421	220421	220421	220421	220421
Bolt, lug, $\frac{1}{8}$ " , 18 A.N.F. . . . .	112557	—	—	—	—	—	112557	—	—	—	—	—
§Nut, shaft . . . . .	198800	198800	198800	198800	198800	198800	198800	198800	198800	198800	198800	198800
Washer, shaft nut . . . . .	188350	185085	185085	188350	188350	188350	188350	188350	188350	188350	185085	185085
§Armature . . . . .	227683	227693	227693	227693	227693	227693	227271	227727	227727	227727	227767	227767
Retainer, bearing ring . . . . .	227631	227631	227631	227631	227631	227631	227631	227631	227631	227631	227631	227631
Collar, drive end bearing . . . . .	227532	227532	227532	227532	227532	227532	227532	227532	227532	227532	227532	227532
Collar, distance, commutator end . . . . .	164736	164736	164736	164736	164736	164736	164736	164736	164736	164736	164736	164736
§Field coils, set . . . . .	227291	227291	227291	227291	227291	227291	227291	227292	227292	227292	227291	227291
Terminal, field or assembly . . . . .	227625	227625	227625	227625	227625	227625	227729	227625	227625	227625	227625	227625
Tube, terminal insulating . . . . .	857692	857692	857692	857692	857692	857692	857692	857692	857692	857692	857692	857692
§Bolt, through fixing . . . . .	227269	228336	228336	228336	228336	228336	227269	228336	228336	228336	228336	228336
§Sundry parts, set . . . . .	227726	227726	227726	227726	227726	227726	227726	227726	227726	227726	227726	227726

GENERATORS

Note. For replacement generator spare parts, see appropriate column under part number † When ordering, quote part number shown in brackets ‡ Plug, oil, neoprene § Recommended spares for stock

For illustrations, see pages D6-D10

**DETAILED SPARE PARTS**

Part No. . . . .	22265D/E	22268A	22268B	22268D/E	22279A	22279B/D	22290A/E	22293A	22295A	22296A	†22297A	22299A/D
Model . . . . .	C39PV-2	C39PV-2	C39PV-2	C39PV-2	C39PVR-2	C39PVR-2	C39PVR-2	C39PV-2	C39PV-2	C39PVR-2	C39PV-2	C39PV-2
Type . . . . .	DA41	FA81	FA81	FA81	GC58	GC58	SA32	OM22	DA48	SA34	L	FA102
Voltage . . . . .	12	12	12	12	12	12	12	12	12	12	12	12
Rotation . . . . .	Clock	Clock	Clock	Clock	Clock	Clock	Clock	Clock	Clock	Clock	Clock	Clock
Insulated or Earth Return . . . . .	E.R.	I.R.	I.R.	I.R.	E.R.	E.R.	E.R.	E.R.	E.R.	E.R.	E.R.	E.R.
Finish . . . . .	Standard	Standard	Standard	Standard	Special	Special	Standard	Standard	Standard	Standard	Standard	Standard
Replaced by (see footnote) . . . . .	—	—	—	—	—	—	—	—	—	—	(22700)	—
§Cover band . . . . .	—	227627	227627	—	227627	—	227627	227627	—	227627	—	—
Screw, cover band fixing . . . . .	—	127584	127584	—	127584	—	127584	127584	—	127584	—	—
Nut, cover band fixing screw . . . . .	—	169160	169160	—	169160	—	169160	169160	—	169160	—	—
§Brushes, set . . . . .	227305	227305	227305	227305	227305	227305	227305	227305	227305	227305	227305	227305
§Bracket or frame, commutator end . . . . .	227772	227798	227798	227798	—	—	229303	54210008	54210550	229303	227702	54211531
§  Bushing or bearing . . . . .	227818	227818	227818	227818	227818	227818	189212	189212	227818	189212	227818	189237
§  Oiler assembly . . . . .	238367	238367	227914	227914	227914	227914	54210013	54210013	227914	54210013	227914	—
Wick and spring . . . . .	228141	228141	—	—	—	—	—	—	—	—	—	—
§  Springs, set, brush tension . . . . .	228159	228159	228159	228159	228159	228159	228159	228159	228159	228159	228159	228159
Plate, terminal location . . . . .	227694	227694	227694	227851	—	—	227851	—	227851	227851	227851	227851
§Bearing, drive end . . . . .	189307	189307	189307	189307	189307	189307	189307	189307	189307	189307	189307	189307
§Bracket or frame, drive end . . . . .	227698	227698	227698	227698	—	—	54211979	227698	54210774	54211889	227698	227698
Plate, bearing . . . . .	220202	220202	220202	220202	220202	220202	220202	220202	220202	220202	220202	220202
Washer, corrugated, bearing . . . . .	158730	158730	158730	158730	158730	158730	158730	158730	158730	158730	158730	158730
Washer, dished . . . . .	220421	220421	220421	220421	220421	220421	220421	220421	220421	220421	220421	220421
Bolt, lug, $\frac{1}{8}$ " , 18 A.N.F. . . . .	—	—	—	—	—	—	—	—	—	—	—	—
§Nut, shaft . . . . .	198800	180740	180740	198800	198800	198800	198800	198800	198800	198800	198800	198800
Washer, shaft nut . . . . .	185085	185085	185085	185085	185085	185085	185085	185085	185085	185085	185085	185085
§Armature . . . . .	227767	227693	227693	227693	—	—	229311	54210011	227693	54211076	227693	227693
Retainer, bearing ring . . . . .	227631	227631	227631	227631	227631	227631	227631	227631	227631	227631	227631	227631
Collar, drive end bearing . . . . .	227532	227532	227532	227532	227532	227532	227532	227532	227532	227532	227532	227532
Collar, distance, commutator end . . . . .	164736	164736	164736	164736	164736	164736	229312	164736	164736	229312	164736	229312
§Field coils, set . . . . .	227291	227291	227291	227291	—	—	—	227291	227291	—	227291	227291
Terminal, field or assembly . . . . .	227625	227729	227729	227729	227625	227625	227625	227625	227625	227625	227625	227625
Tube, terminal insulating . . . . .	857692	857692	857692	857692	857692	857692	857692	857692	857692	857692	857692	857692
§Bolt, through fixing . . . . .	228336	228336	228336	228336	228336	228336	228336	228336	228336	228336	228336	228336
§Connector, main . . . . .	—	—	—	—	—	—	—	—	—	—	‡54190044	—
§Connector, field . . . . .	—	—	—	—	—	—	—	—	—	—	‡54190038	—
§Sundry parts, set . . . . .	227726	227726	227726	227726	227726	227726	227726	227726	227726	227726	227726	227726

**GENERATORS**

22265 — 22299

Note. For replacement generator spare parts, see appropriate column under part number    † When ordering, quote part number shown in brackets    ‡ Lucar    § Recommended spares for stock  
 || Spring, commutator end

DETAILED SPARE PARTS

D14

22300 — 22428

Part No.	22300A	22409A/H	22409J	†22411A	‡22413D	22416B	†22417D	†22417E	†22417J	†22417K	†22424A	22428A
Model	C39PV-2	C45XV	C45YV-5	C45XV	C45PV-3	C45YV-3	C45PV-3	C45ZVH	C45PV-S	C45PV-S	C45PV-3	C45PV-3
Type	FA103	CW32	CW32	L-0	N7-0	CJ26	BN172	BN172	BN172	BN172	FA66	D8
Voltage	12	6	6	12	12	12	12	12	12	12	12	12
Rotation	Clock	Clock	Clock	Clock	Clock	Clock	Clock	Clock	Clock	Clock	Clock	Anti-clock
Insulated or Earth Return	I.R.	E.R.	E.R.	E.R.	E.R.	E.R.	E.R.	E.R.	E.R.	E.R.	E.R.	E.R.
Finish	Standard	Standard	Standard	Standard	Special	Standard	Special	Special	Special	Special	Standard	Standard
Replaced by (see footnote)	—	—	—	(22449)	—	—	(22496)	(22496)	(22496)	(22496)	(22494)	—
§Cover band	—	—	227015	—	227015	227015	227015	—	227015	227015	227015	228022
Screw, cover band fixing	—	—	127584	—	127584	127584	127584	—	127584	127584	127584	127584
Nut, cover band fixing screw	—	—	169160	—	169160	169160	169160	—	169160	169160	169160	169160
§Brushes, set	227305	203148	203148	203148	238240	203148	238061	238240	238240	238240	238061	238061
§Bracket or frame, commutator end	54211730	228452	228594	228452	238685	228181	238685	—	238845	239265	238200	238393
§ Bushing or bearing	189237	238567	238567	238567	189307	238567	189307	189307	189307	189237	238567	238567
§ Oiler assembly	—	238367	238367	238367	—	238367	—	—	—	—	238367	238367
Wick and spring	—	228141	228141	228141	—	228141	—	—	—	—	228141	228141
Plug, bush	—	238566	238566	238566	—	238566	—	—	—	—	238566	—
§ Springs, set, brush tension	228159	228159	228159	228159	238062	228159	238062	238062	238062	238062	238062	238062
Plate, terminal location	227851	—	—	—	—	—	—	—	238837	238837	—	—
§Bearing, drive end	189307	189308	189308	189308	189308	189308	189308	189308	189308	189308	189308	189308
§Bracket or frame, drive end	227698	237119	239012	237119	237119	228180	237119	237119	237119	237119	239038	238248
Plate, bearing	220202	238396	238396	238396	238396	238396	238396	238396	238396	238396	238396	238396
Washer, corrugated, bearing	158730	238565	238565	238565	238565	238565	238565	238565	238565	238565	238565	—
Washer, dished	220421	238564	238564	238564	238564	238564	238564	238564	238564	238564	238564	—
Bolt, lug, $\frac{1}{8}$ " 18 A.N.F.	—	—	—	112557	112557	112557	112557	112557	112557	112557	112557	—
§Nut, shaft	198800	180636	198800	180620	180620	180620	180620	180620	180620	180620	180620	171330
Washer, shaft nut	185085	—	188343	—	185187	185187	—	185187	185187	185187	185187	—
§Armature	227693	228423	228423	228061	238683	228061	239511	238940	238940	238940	239428	238785
Retainer, bearing ring	227631	238823	238824	238823	238018	238823	238018	238018	238824	238824	238018	238824
Collar, drive end bearing	227532	238640	238640	238042	238042	238042	238042	238042	238042	238042	238042	238360
Collar, distance, commutator end	229312	238147	238147	238147	238537	238147	—	—	—	—	238147	238147
§Block, terminal	—	—	—	—	238234	—	238234	—	—	—	238234	238234
§Field coils, set	227291	228494	228228	228495	238070	228409	238436	238820	238820	238820	238070	238784
Terminal, field or assembly	227729	—	—	—	—	224345	—	238631	227625	227625	—	—
Tube, terminal insulating	857692	—	—	—	—	—	—	—	857692	857692	—	—
§Bolt, through fixing	228336	228336	228335	228336	272752	270131	270131	270131	270131	270131	270131	272752
§Connector, main	—	238743	—	238743	—	—	—	238743	—	—	—	—
§Connector, field	—	238742	—	238742	—	—	—	238742	—	—	—	—
§Sundry parts, set	227726	239024	239024	239024	239024	239024	239024	239024	239024	239024	239024	239024

GENERATORS

Note. For replacement generator spare parts, see appropriate column under part number † When ordering, quote part number shown in brackets ‡ Return unit for repair § Recommended spares for stock

For illustrations, see pages D6-D10

**DETAILED SPARE PARTS**

Part No. . . . .	†22429A	†22429D/E	†22429F/H	22430E	†22431A	†22433A	22434A/B	22434D	†22435A/B	†22436A	22439A/D	†22441A
Model . . . . .	C45ZV	C45PV-S	C45PV-S	C45YV-3	C45XV	C45XV	C45PV-B	C45PV-B	C45PV-4	C45PV-4	C45P-B	C45PV-4
Type . . . . .	G86	G86-0	G86-0	CJ39	AJ33	L-0	AA80-0	AA80-0	L-0	BS56	CA66	FA6-6
Voltage . . . . .	12	12	12	12	12	6	12	12	12	12	6	12
Rotation . . . . .	Clock	Clock	Clock	Clock	Clock	Clock	Clock	Clock	Clock	Clock	Anti-clock	Clock
Insulated or Earth Return . . . . .	E.R.	E.R.	E.R.	E.R.	E.R.	E.R.	E.R.	E.R.	E.R.	E.R.	E.R.	E.R.
Finish . . . . .	Special	Special	Special	Standard	Standard	Standard	Standard	Standard	Standard	Special	Standard	Standard
Replaced by (see footnote) . . . . .	(22496)	(22496)	(22496)	—	(22449)	(22482)	—	—	(22519)	(22503)	—	(22494)
§Cover band . . . . .	—	227015	227015	227015	—	—	227015	227015	227015	227015	227015	227015
Screw, cover band fixing . . . . .	—	127584	127584	127584	—	—	127584	127584	127584	127584	127584	127584
Nut, cover band fixing screw . . . . .	—	169160	169160	169160	—	—	169160	169160	169160	169160	169160	169160
§Brushes, set . . . . .	238240	238240	238240	203148	203148	203148	238061	238061	238061	238240	238061	238061
§Bracket or frame, commutator end . . . . .	238795	238845	239265	228379	228452	228452	238886	238947	239266	239267	238947	239266
§ Bushing or bearing . . . . .	189307	189307	189237	189308	238567	238567	189307	189237	238567	238567	189237	238567
§ Oiler assembly . . . . .	—	—	—	—	238367	238367	—	—	238367	238367	—	238367
Wick and spring . . . . .	—	—	—	—	228141	228141	—	—	228141	228141	—	228141
Plug, bush . . . . .	—	—	—	—	238566	—	—	—	238566	238566	—	238566
§ Springs, set, brush tension . . . . .	238062	238062	238062	228159	228159	228159	238062	238062	238062	238062	238062	238062
Plate, terminal location . . . . .	—	238837	238837	—	—	—	238837	238837	238837	238837	238837	238837
§Bearing, drive end . . . . .	189308	189308	189308	189308	189308	189308	189308	189308	189308	189308	189308	189308
§Bracket or frame, drive end . . . . .	237119	237119	237119	228380	237119	237119	238887	238887	237119	237119	238887	239038
Plate, bearing . . . . .	238396	238396	238396	228167	238396	238396	238396	238396	238396	238396	238396	238396
Washer, corrugated, bearing . . . . .	238565	238565	238565	238565	238565	238565	238565	238565	238565	238565	238565	238565
Washer, dished . . . . .	238564	238564	238564	238564	238564	238564	238564	238564	238564	238564	238564	238564
Bolt, lug, 3/8", 18 A.N.F. . . . .	112557	112557	112557	112557	112557	112557	—	—	—	—	—	112557
§Nut, shaft . . . . .	180620	180620	180620	228375	180620	180620	180620	180620	180620	180620	180620	180620
Washer, shaft nut . . . . .	185187	185187	185187	185187	—	—	185187	185187	185187	185187	185187	185187
§Armature . . . . .	239190	239190	239190	228377	228061	228067	238806	239190	239428	239191	238958	239428
Retainer, bearing ring . . . . .	238018	238824	238824	238823	238823	238823	238824	238824	238824	238824	238824	238824
Collar, drive end bearing . . . . .	238042	238042	238042	238042	238042	238042	238042	238042	238042	238042	238042	238042
Collar, distance, commutator end . . . . .	—	—	—	238147	238147	238147	—	—	238147	238147	—	238147
§Field coils, set . . . . .	238820	238820	238820	228075	228495	228494	238820	238820	238820	238820	238967	238820
Terminal, field or assembly . . . . .	238631	227625	227625	238494	—	—	227625	227625	227625	227625	227625	227625
Tube, terminal insulating . . . . .	—	857692	857692	—	—	—	857692	857692	857692	857692	857692	857692
§Bolt, through fixing . . . . .	270131	270131	270131	228539	228336	228336	270131	270131	270131	270131	270131	270131
§Connector, main . . . . .	238743	—	—	—	238743	238743	—	—	—	—	—	—
§Connector, field . . . . .	238742	—	—	—	238742	238742	—	—	—	—	—	—
§Sundry parts, set . . . . .	239024	239024	239024	239024	239024	239024	239024	239024	239024	239024	239024	239024

**GENERATORS**

Note. For replacement generator spare parts, see appropriate column under part number      † When ordering, quote part number shown in brackets      § Recommended spares for stock

DETAILED SPARE PARTS

D16

22443 — 22455

GENERATORS

Part No. . . . .	22443A	†22446A/B	†22447A	22448B	22448D	22449B	22449D	22450A	22451A	22452A	†22453A	22455A/B
Model . . . . .	C45PV-4	C45PV-3	C45PV-3	C45YV-3	C45YV-5	C45YV-3	C45YV-4	C45YV-3	C45YV-3	C45YV-3	C45PV-3	C45P-3
Type . . . . .	CW48	L1	L1-1	A108	A108	L1	L-0	BN95	P-0	GC24	BN117	T45
Voltage . . . . .	12	12	12	6	6	12	12	6	6	12	12	12
Rotation . . . . .	Clock	Clock	Clock	Clock	Clock	Clock	Clock	Clock	Clock	Clock	Clock	Clock
Insulated or Earth Return . . . . .	E.R.	E.R.	E.R.	E.R.	E.R.	E.R.	E.R.	E.R.	E.R.	E.R.	I.R.	E.R.
Finish . . . . .	Standard	Standard	Special	Standard	Standard	Standard	Standard	Standard	Standard	Standard	Standard	Standard
Replaced by (see footnote) . . . . .	—	(22519)	(22519)	—	—	—	—	—	—	—	(22497)	—
§Cover band . . . . .	227015	227015	227015	227015	227015	227015	227015	227015	227015	227015	227015	227015
Screw, cover band fixing . . . . .	127584	127584	127584	127584	127584	127584	127584	127584	127584	127584	127584	127584
Nut, cover band fixing screw . . . . .	169160	169160	169160	169160	169160	169160	169160	169160	169160	169160	169160	169160
§Brushes, set . . . . .	238061	238061	238061	203148	203148	203148	203148	203148	203148	203148	238061	238061
§Bracket or frame, commutator end . . . . .	239181	238200	238199	228144	239235	228144	239078	228144	228144	228195	238452	238469
§ Bushing or bearing . . . . .	238567	238567	238567	238567	238567	238567	238567	238567	238567	238567	238567	238567
§ Oiler assembly . . . . .	238367	238367	238367	238367	238367	238367	238367	238367	238367	238367	238367	238367
Wick and spring . . . . .	228141	228141	228141	228141	228141	228141	228141	228141	228141	228141	228141	228141
Plug, bush . . . . .	238566	—	238566	238566	238566	238566	238566	238566	238566	238566	238566	238566
§ Springs, set, brush tension . . . . .	238062	238062	238062	228159	228159	228159	228159	228159	228159	228159	238062	238062
Plate, terminal location . . . . .	238837	—	—	—	—	—	—	—	—	—	—	—
§Bearing, drive end . . . . .	189314	189308	189308	189308	189308	189308	189308	189308	189308	189308	189308	189308
§Bracket or frame, drive end . . . . .	228501	237119	237119	228171	228171	237119	237119	239038	228225	237119	237119	238470
Plate, bearing . . . . .	228390	238396	238396	228167	228167	238396	238396	238396	228167	238396	238396	238396
Washer, corrugated, bearing . . . . .	—	238565	238565	238565	238565	238565	238565	238565	238565	238565	238565	238565
Washer, dished . . . . .	228397	238564	238564	238564	238564	238564	238564	238564	238564	238564	238564	238564
Bolt, lug, $\frac{1}{16}$ " 18 A.N.F. . . . .	—	—	—	112557	—	112557	112557	112557	112557	112557	112557	—
§Nut, shaft . . . . .	180732	180620	171330	180620	228175	180620	180620	180620	180620	180620	171330	180620
Washer, shaft nut . . . . .	185187	185187	185187	185187	185187	185187	185187	185187	185187	185187	185187	185187
§Armature . . . . .	239515	239428	239428	228595	228595	228061	228061	228595	228595	228203	239428	239428
Retainer, bearing ring . . . . .	238824	238824	238018	238823	238824	238823	238824	238823	238823	238018	238018	238018
Collar, drive end bearing . . . . .	—	238042	238042	238042	238042	238042	238042	238042	238042	238042	238042	238042
Collar, distance, commutator end . . . . .	238147	238147	238147	238147	238147	238147	238147	238147	238147	238147	238147	238147
§Block, terminal . . . . .	—	238234	238234	—	—	238234	—	238234	238234	238234	224009	238234
§Field coils, set . . . . .	238820	238070	238070	228228	228228	228075	239077	228228	228228	228075	238070	238436
Terminal, field or assembly . . . . .	227625	—	—	—	—	—	—	—	—	—	—	—
Tube, terminal insulating . . . . .	857692	857692	—	—	—	—	—	—	—	—	—	—
§Bolt, through fixing . . . . .	272752	270131	272752	270131	228335	270131	228335	270131	270131	228335	270131	270131
§Sundry parts, set . . . . .	239024	239024	239024	239024	239024	239024	239024	239024	239024	239024	239024	239024

Note. For replacement generator spare parts, see appropriate column under part number † When ordering, quote part number shown in brackets § Recommended spares for stock

For illustrations, see pages D6-D10



**DETAILED SPARE PARTS**

Part No.	22455D	†22456A/D	†22456E/F	†22458A/B	†22458D/E	†22461A	†22461B	†22461D/F	†22462A/B	†22465A/E	†22470A/F	†22470H/L
Model	C45P-5	C45PV-5	C45PV-5	C45PV-5	C45PV-5	C45PV-5	C45PV-5	C45PV-5	C45PVS-5	C45PV-5	C45PV-5	C45PV-5
Type	T45-1	L-0	L-0	FA66	FA66	BN193	BN193	BN193	GC51	OM13	BN215	BN215
Voltage	12	12	12	12	12	12	12	12	12	12	12	12
Rotation	Clock	Clock	Clock	Clock	Clock	Clock	Clock	Clock	Clock	Clock	Clock	Clock
Insulated or Earth Return	E.R.	E.R.	E.R.	E.R.	E.R.	I.R.	I.R.	I.R.	E.R.	E.R.	E.R.	E.R.
Finish	Standard	Standard	Standard	Standard	Standard	Standard	Standard	Standard	Special	Special	Standard	Standard
Replaced by (see footnote)	—	(22519)	(22519)	(22494)	(22494)	(22497)	(22497)	(22497)	(22496)	(22478)	(22502)	(22502)
§Cover band	227015	227015	—	227015	—	227015	227015	—	227015	227015	227015	227015
Screw, cover band fixing	127584	127584	—	127584	—	127584	127584	—	127584	127584	127584	127584
Nut, cover band fixing screw	169160	169160	—	169160	—	169160	169160	—	169160	169160	169160	169160
§Brushes, set	238061	238061	238061	238061	238061	238061	238061	238061	238240	238240	238061	238061
§Bracket or frame, commutator end	239268	239266	239266	239266	239266	239273	239273	239273	239265	239267	239341	239341
§ Bushing or bearing	238567	238567	238567	238567	239263	238567	239263	239263	189237	238567	238567	239263
§ Oiler assembly	238367	238367	238367	238367	239368	238367	239368	239368	—	238367	238367	239368
Wick and spring	228141	228141	228141	228141	—	228141	—	—	—	228141	228141	—
Plug, bush	—	—	—	—	—	—	—	—	—	—	—	—
§ Springs, set, brush tension	238062	238062	238062	238062	238062	238062	238062	238062	238062	238062	238062	238062
Plate, terminal location	238837	239239	239239	238837	—	238837	—	239239	238837	238837	238837	—
§Bearing, drive end	189238	189308	189308	189308	189308	189308	189308	189308	189308	189308	189308	189308
§Bracket or frame, drive end	239041	239012	239012	239038	239038	239012	239012	239012	239012	239012	239012	239012
Plate, bearing	238396	238396	238396	238396	238396	238396	238396	54210370	238396	54210370	238396	54210370
Washer, corrugated, bearing	238565	238565	238565	238565	238565	238565	238565	238565	238565	238565	238565	238565
Washer, dished	238564	238564	238564	238564	238564	238564	238564	238564	238564	238564	238564	238564
Bolt, lug, 3/8", 18 A.N.F.	112557	—	—	112557	—	—	—	—	112557	112557	112557	112557
§Nut, shaft	180620	180620	180620	180620	180620	180620	180620	180620	180620	180620	180620	180620
Washer, shaft nut	185187	185187	185187	185187	185187	185187	185187	185187	185187	185187	185187	185187
§Armature	239428	239428	239428	239428	239428	239428	239428	239428	239190	239191	239428	239428
Retainer, bearing ring	238824	238824	238824	238824	238824	238824	238824	238824	238824	238824	238824	238824
Collar, drive end bearing	238042	238042	238042	238042	238042	238042	238042	238042	238042	238042	238042	238042
Collar, distance, commutator end	238147	238147	238147	238147	238147	238147	238147	238147	—	238147	238147	238147
§Field coils, set	238820	238820	238820	238820	238820	239169	239169	239169	238820	238820	238820	238820
Terminal, field or assembly	227625	227625	227625	227625	227625	239087	227729	227729	227625	227625	227625	227625
Tube, terminal insulating	857692	857692	857692	857692	857692	857692	857692	857692	857692	857692	857692	857692
§Bolt, through fixing	272752	272752	272752	272752	272752	272752	272752	272752	272752	272752	272752	272752
§Sundry parts, set	239024	239024	239024	239024	239024	239024	239024	239024	239024	239024	239024	239024

Note. For replacement generator spare parts, see appropriate column under part number    † When ordering, quote part number shown in brackets    § Recommended spares for stock

**GENERATORS**

22455 — 22470

**DETAILED SPARE PARTS**

D18

22472 — 22502

Part No. . . . .	22472A	22474A	22478A	22478B/E	22482A/B	†22483A	†22483B/D	22489B/E	22494B/D	22496B	22497B	22502B/D
Model . . . . .	C45YV-5	C45WV-3	C45PV-5	C45PV-5	C45YV-5	C45PV-5	C45PV-5	C45PV-6	C45PV-6	C45PVS-6	C45PV-6	C45PV-6
Type . . . . .	A150	L1	XW9	WX9	RX	L-0	L-0	L-0	FA66	GC51	BN193	BN215
Voltage . . . . .	6	6	12	12	6	12	12	12	12	12	12	12
Rotation . . . . .	Clock	Clock	Clock	Clock	Clock	Clock	Clock	Clock	Clock	Clock	Clock	Clock
Insulated or Earth Return . . . . .	E.R.	E.R.	E.R.	E.R.	E.R.	E.R.	E.R.	E.R.	E.R.	E.R.	I.R.	E.R.
Finish . . . . .	Standard	Standard	Standard	Standard	Standard	Standard	Standard	Standard	Standard	Special	Standard	Standard
Replaced by (see footnote) . . . . .	—	—	—	—	—	(22489)	(22489)	—	—	—	—	—
§Cover band . . . . .	227015	227015	227015	—	227015	227015	—	—	—	227015	—	—
Screw, cover band fixing . . . . .	127584	127584	127584	—	127584	127584	—	—	—	127584	—	—
Nut, cover band fixing screw . . . . .	169160	169160	169160	—	169160	169160	—	—	—	169160	—	—
§Brushes, set . . . . .	203148	238038	238061	238061	203148	238061	238061	54210090	54210090	54210090	54210090	54210090
§Bracket or frame, commutator end . . . . .	228594	239219	239267	239267	228594	239266	239266	54210057	54210057	54210072	54210073	54210076
§    Bushing or bearing . . . . .	238567	238567	238567	238567	238567	239263	239263	239263	239263	189237	239263	239263
§    Oiler assembly . . . . .	238367	238367	238367	238367	238367	239368	239368	239368	239368	—	239368	239368
Wick and spring . . . . .	228141	228141	228141	228141	228141	—	—	—	—	—	—	—
Plug, bush . . . . .	238566	—	—	—	—	—	—	—	—	—	—	—
§    Springs, set, brush tension . . . . .	228159	238062	238062	238062	228159	238062	238062	54210091	54210091	54210091	54210091	54210091
Plate, terminal location . . . . .	—	—	—	—	239017	—	—	—	—	‡238954	—	—
Screw, thrust, commutator end . . . . .	—	—	—	—	—	—	—	—	—	238379	—	—
§Bearing, drive end . . . . .	189308	189308	189308	189308	189308	189308	189308	189308	189308	189308	189308	189308
§Bracket or frame, drive end . . . . .	239038	239012	239012	239012	239012	239012	239012	239012	239038	239012	239012	239012
Plate, bearing . . . . .	238396	238396	54210370	54210370	238396	238396	238396	54210370	54210370	238396	238396	54210370
Washer, corrugated, bearing . . . . .	238565	238565	238565	238565	238565	238565	238565	238565	238565	238565	238565	238565
Washer, dished . . . . .	238564	238564	238564	238564	238564	238564	238564	238564	238564	238564	238564	238564
Washer, felt . . . . .	—	—	—	—	—	—	—	238563	‡112557	238563	238563	238563
§Nut, shaft . . . . .	228175	180620	180620	180620	180620	180620	180620	180620	180620	180620	180620	180620
Washer, shaft nut . . . . .	185187	185187	185187	185187	185187	185187	185187	185187	185187	185187	185187	185187
§Armature . . . . .	228595	239310	239191	239191	228595	239428	239428	239428	239428	239511	239428	239428
Retainer, bearing ring . . . . .	238824	238824	238824	238824	238824	238824	238824	238824	238824	238824	238824	238824
Collar, drive end bearing . . . . .	238042	238042	238042	238042	238042	238042	238042	238042	238042	238042	238042	238042
Collar, distance, commutator end . . . . .	238147	238147	238147	238147	238147	238147	238147	238147	238147	227532	238147	238147
§Field coils, set . . . . .	228228	238165	238820	238820	228228	238820	238820	238820	238820	238820	239169	238820
Terminal, field or assembly . . . . .	—	227625	227625	227625	227625	227625	227625	227625	227625	227625	227729	227625
Tube, terminal insulating . . . . .	—	857692	857692	857692	857692	857692	857692	857692	857692	857692	857692	857692
§Bolt, through fixing . . . . .	228335	270131	272752	272752	228335	272752	272752	272752	272752	272752	272752	272752
§Sundry parts, set . . . . .	239024	239024	239024	239024	239024	239024	239024	239024	239024	239024	239024	239024

**GENERATORS**

Note. For replacement generator spare parts, see appropriate column under part number    † When ordering, quote part number shown in brackets    ‡ Spring, thrust    § Recommended spares for stock  
 †† Bolt, lug, 1/8", 18 A.N.F.

For illustrations, see pages D6-D10

DETAILED SPARE PARTS

GENERATORS

Part No.	22503B/D	22519A	†22524A/F	22528A/D	†22529A	22530A/B	22532A	22532B/D	22700A/D	†22704A	23000A/J	23002A/D
Model	C45PV-6	C45PV-6	C45PV-5	C45PV-6	C45PV-5	C45PV-6	C45PV-6	C45PV-6	C40-1	C40	RA5	RA5
Type	XW9	L-0	CC78	CC78	L-0	L-0	T83	T83	L-0	L-0	L-0	N-0
Voltage	12	12	12	12	12	12	12	12	12	12	12	12
Rotation	Clock	Clock	Clock	Clock	Clock	Clock	Clock	Clock	Clock	Clock	Clock	Clock
Insulated or Earth Return	E.R.	E.R.	E.R.	E.R.	E.R.	E.R.	E.R.	E.R.	E.R.	E.R.	E.R.	I.R.
Finish	Standard	Standard	Standard	Standard	Standard	Standard	Standard	Standard	Standard	Standard	Special	Special
Replaced by (see footnote)	—	—	(22528)	—	(22530)	—	—	—	—	(22700)	—	—
Coupling (supplied separately)	—	—	54210027	54210027	—	—	—	—	—	—	—	—
Dog, driving (supplied separately)	—	—	239889	239889	—	—	—	—	—	—	—	—
Condenser	—	—	—	—	—	—	—	—	—	—	232729	232753
§Brushes, set	54210090	54210090	238061	54210090	238061	54210090	54212267	54210090	227541	227541	232662	232662
§Bracket or frame, commutator end	54210074	54210082	207012	54210084	54210209	54211094	54210057	54211600	54211125	54211125	232665	232745
§ Bushing or bearing	238567	238567	189237	189237	239263	239263	239263	239263	227818	227818	189277	189277
§ Oiler assembly	238367	238367	—	—	239368	239368	239368	239368	54211097	54211097	—	—
Wick and spring	228141	228141	—	—	—	—	—	—	—	—	—	—
§ Springs, set, brush tension	54210091	54210091	238062	54210091	238062	54210091	54210091	54210091	227542	227542	232663	232663
Washer, thrust, commutator end	—	—	—	—	—	—	—	—	164736	164736	—	—
§Bearing, drive end	189308	189308	189314	189314	189308	189308	189308	189308	189307	189307	189275	189275
§Bracket or frame, drive end	239012	239012	54210022	54210022	239012	239012	239012	239012	54211095	54211095	232666	232666
Plate, bearing	54210370	238396	239888	239888	238396	238396	238396	54210370	229400	229400	232612	232612
Washer, corrugated, bearing	238565	238565	239892	239892	238565	238565	238565	238565	158730	158730	—	—
Washer, dished	238564	238564	238564	238564	238564	238564	238564	238564	—	—	—	—
Washer, felt	238563	—	—	—	—	—	—	—	—	—	—	—
§Nut, shaft	180620	180620	180620	180620	180620	180620	180620	180620	198800	198800	180620	180620
Washer, shaft nut	185187	185187	185187	185187	185187	185187	185187	185187	185058	185085	185187	185187
§Armature	239513	239428	54210021	54211386	239428	239428	239512	239512	227987	227987	232630	232630
Retainer, bearing ring	238824	238824	238824	238824	238824	238824	238824	238824	227631	227631	232610	232610
Collar, drive end bearing	238042	238042	239898	239898	238042	238042	238042	238042	227532	227532	232653	232653
Collar, distance, commutator end	238147	238147	239594	239594	238147	238147	238147	238147	—	—	232636	232636
§Block, terminal	—	—	54210020	54210020	—	—	—	‡54211246	—	—	—	232751
§Field coils, set	238820	238820	207013	207013	238820	238820	238820	54210553	227543	227543	232769	232769
Terminal, field or assembly	227625	227625	—	—	54210464	54210464	227625	{ 54110246(D) 54110256(F) }	54211890	54211890	232725	232725
Tube, terminal insulating	857692	857692	857692	857692	—	—	857692	{ 54211247(D) 54211248(F) }	—	—	245109	245109
§Bolt, through fixing	272752	272752	207008	207008	272752	272752	272752	272752	228336	228336	232637	232637
§Sundry parts, set	239024	239024	239024	239024	239024	239024	239024	239024	54211894	54211894	232741	232741

Note. For replacement generator spare parts, see appropriate column under part number † When ordering, quote part number shown in brackets ‡ Plate, terminals insulating  
 § Recommended spares for stock || Terminal assembly (D) .. Main (F) .. Field

DETAILED SPARE PARTS

D20

228137 — 238498

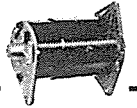
Part No. . . . .	†228137	†228139	†228199	†228240	228306	†228365	†238184	†238311	238395	†238464	238498
Model . . . . .	C45NV-3	C45YV-3	C45YV-3	C45YV-3	C45YV-3	V45YV-3	C45WV-3	C45PV-3	C45PV-3	C45P-3	C45P-3
Type . . . . .	L-1	L1	CJ13-1	L1-0	P32-0	AA59	L1	BP55-1	FA20	T45	CW24-0
Voltage . . . . .	12	12	12	12	12	6	6	12	12	12	12
Rotation . . . . .	Clock	Clock	Clock	Clock	Clock	Clock	Clock	Clock	Clock	Clock	Clock
Insulated or Earth Return . . . . .	E.R.	E.R.	E.R.	E.R.	E.R.	E.R.	E.R.	E.R.	E.R.	E.R.	E.R.
Finish . . . . .	Standard	Standard	Standard	Special	Standard	Standard	Standard	Standard	Standard	Standard	Standard
Replaced by (see footnote) . . . . .	(22449 & Regulator) 37057	(22449)	(22416)	(22449)	—	(22482)	(22474)	(238395)	—	(22455)	—
§Cover band . . . . .	227015	227015	227015	227015	227015	227015	227015	228022	227015	227015	227015
Screw, cover band fixing . . . . .	127584	127584	127584	127584	127584	127584	127584	127584	127584	127584	127584
Nut, cover band fixing screw . . . . .	169160	169160	169160	169160	169160	169160	169160	169160	169160	169160	169160
§Brushes, set . . . . .	228179	203148	203148	203148	203148	203148	238038	238061	238061	238061	238061
§Bracket or frame, commutator end . . . . .	228143	228144	228181	228144	228144	228144	238199	238199	238393	238469	238481
§ Bushing or bearing . . . . .	238567	238567	238567	238567	238567	238567	238567	238567	238567	238567	238567
§ Oiler assembly . . . . .	238367	238367	238367	238367	238367	238367	238367	238367	238367	238367	238367
Wick and spring . . . . .	228141	228141	228141	228141	228141	228141	228141	228141	228141	228141	228141
Plug, bush . . . . .	—	238566	238566	238566	238566	238566	238566	238566	238566	238566	238566
§ Springs, set, brush tension . . . . .	228159	228159	228159	228159	228159	228159	238039	238062	238062	238062	238062
Carrier, control brush . . . . .	—	—	—	—	—	—	238054	—	—	—	—
Washer, thrust, commutator end . . . . .	—	—	—	—	—	—	—	—	—	—	—
§Bearing, drive end . . . . .	189308	189308	189308	189308	189308	189308	189308	189308	189308	189308	189314
§Bracket or frame, drive end . . . . .	237119	237119	228180	237119	228225	237119	237119	238248	238248	238470	238482
Plate, bearing . . . . .	238396	238396	238396	238396	228167	238396	238396	238396	238396	238396	228390
Washer, corrugated, bearing . . . . .	238565	238565	238565	238565	238565	238565	158730	—	—	238565	228397
Washer, dished . . . . .	238564	238564	238564	238564	238564	238564	238564	—	—	238564	228396
Bolt, lug, 5/8", 18 A.N.F. . . . .	112557	112557	112557	112557	—	112557	—	—	—	—	—
§Nut, shaft . . . . .	180620	180620	180620	180620	180620	180620	180620	171330	171330	180620	182560
Washer, shaft nut . . . . .	185187	185187	185187	185187	185187	185187	185187	—	146240	185187	149320
§Armature . . . . .	228061	228061	228061	228061	228061	228595	238167	238890	238890	239428	238505
Retainer, bearing ring . . . . .	238018	238324	238018	238108	238018	238018	238018	238018	238018	238018	—
Collar, drive end bearing . . . . .	238042	238042	238042	238042	238042	238042	238042	238284	238284	238042	238504
Collar, distance, commutator end . . . . .	—	238147	—	238147	—	238147	—	—	238147	238147	—
§Block, terminal . . . . .	238234	238234	224345	238234	238234	238234	238234	224345	238684	238234	238495
§Terminal set, Lucar . . . . .	—	—	—	—	—	—	—	—	—	—	—
§Field coils, set . . . . .	228070	228075	228075	228075	228075	228228	238165	238070	238070	238436	238070
Terminal, field or assembly . . . . .	—	—	—	—	—	—	—	—	—	—	—
Tube, terminal insulating . . . . .	—	—	—	—	—	—	—	—	—	—	—
§Bolt, through fixing . . . . .	228335	270131	228335	228335	228398	228335	270131	272752	272752	270131	272752
§Connector, main . . . . .	—	—	—	—	—	—	—	—	—	—	—
§Connector, field . . . . .	—	—	—	—	—	—	—	—	—	—	—
§Sundry parts, set . . . . .	—	239024	—	—	—	—	239024	239024	239024	239024	239024

GENERATORS

Note. For replacement generator spare parts, see appropriate column under part number † When ordering, quote part number shown in brackets § Recommended spares for stock

For illustrations, see pages D6-D10

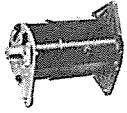
# GENERATORS



## VEHICLE APPLICATION REFERENCE

- 20035 E3L 6 volt  
Wessex Industries Delivery Van 1952-55.
- 20900 C418H 6 volt  
Jowett 10 cwt. 'Bradford' Van 1946.
- 22005 C35MV 6 volt  
Morgan 3-wheeler 1948-52.
- 22007 C35MV 6 volt  
Morris 5 cwt. Van 1946-51.
- 22008 C35YV 6 volt  
Allard 'Clipper' 3-wheeler 1955.  
Barrett, W. & F. Invalid Carriage 1949-54.  
Encon Motors 'Clipper' 1954.  
Reliant 750 c.c. 1946-54; 6 cwt. Van and Truck (6 volt) 1954-55; 'Regal' Car and 5 cwt. Van (6 volt) 1953-59.  
Standard 'Eight' 1946-48.
- 22009 C35MV 6 volt  
Dellow Motors Sports Mk. III 1952-54.
- 22253 C39PV 12 volt  
Wolseley 'Four Fifty' 1949-50.
- 22258 C39PV-2 12 volt  
A.C. Cars 'Petite' 1953-57; 'Ace' Sports 1955-60; 'Aceca' Coupé 1955-60.  
A.F.N. 'Le Mans' and 'Mille Miglia' 1951-54.  
Alfa Romeo 'Giulietta' Sports 750C 'Berlina' 1955-60; Sprint 750B 1956-60; t.i. 753 1958-60; 'Giulietta Spyder' and T10 Van (Petrol) 1956-60.  
Armstrong Siddeley 'Sapphire 234' and '236' 1956-58.  
Austin A30 1952-56; A35 1957-59; A40 1948-59; A50 1955-57; A55 1958-59; 'Metropolitan' 1957-59; LD1A, LD2A, LDO1A and LDO2A 1958-59; 301FC 1958-59; Series IVFF Trucks 1959; 101 Van 1958-59; '152' Range 1957-59; '301' Range 1957-59; Series III Trucks (Diesel) 1955-56; Series III Trucks 1957-59.  
Bedford 10/12 cwt. Van 1948-52; CA Van 1953-60; 1 $\frac{1}{2}$ , 3, 4 and 5 ton and 8 ton Scammell 1951-53; TA, TD and TJ Normal Control 1953-60; TC Forward Control 1958-60; S Type (Petrol) 1951-60.  
Bristol All Models 1950-60.  
Citroen '15' 1951-55; DS19, ID19 and 'Safari' 1957-60.  
Commer 8 cwt. Van 1949-52; Estate Car 1949; 'Express' Delivery Van and Pick-up Truck 1953-60; 'Cob' Light Van 1957-60; 25 cwt. Forward Control 1951-56; 1, 1 $\frac{1}{2}$  and 1 $\frac{1}{2}$  ton Forward Control and 7 $\frac{1}{2}$  ton 'Superpoise' 1956-60; 25 cwt. 'Superpoise' 1949-56; 2, 3, 4, 5 and 6 ton 'Superpoise' and Forward Control (Petrol and Diesel) 1959-60.  
Daimler 'Conquest' 1954-58.  
Dellow Motors Sports 1955-57.  
Fairthorpe 'Electron' and 'Electron Minor' 1958; 'Atomota' 1959-60.  
Frazer Nash 'Mille Miglia', 'Targa Florio', 'Sebring' and Hard Top 1955.  
Hillman 'Minx' (later) 1948-59; 'Husky' Series I 1955-60.  
Humber 'Hawk' 1949-60.  
Jensen 30 cwt. 'Jen-Tug' (later) 1952-54.  
Jowett 'Javelin' (later) 1949-54; 10 cwt. 'Bradford' Van 1951-54; De Luxe Van and 6 Light Utility 1951-52.  
Karrier 'Bantam' 1951-60.  
Lanchester '14' and 'Sprite' 1952-56.  
Layton Sports Car 'Jomar' (Ford Engine) 1959-60.  
Lotus Mk. VII and Mk. VIII (Ford 100E Engine) 1958-60; (M.G. Engine) 1958-59.  
Mevnell 'Cub', 'Vixen' and 'Flying Fox' 1952.  
M.G. 1 $\frac{1}{2}$  litre and 'Magnette' 1952-59; MGA 1956-59.  
Morgan 'Plus Four' 1951-60; 'Four-Four' Series II (Ford Engine) 1956-60.  
Morris 'Minor' 1948-59; 'Cowley' Van and Truck 1952-53; 'Oxford' and 'Hindustan' 1952-59; 'Hindustan' 1960; Quarter Ton and Half Ton Vans 1954-59.  
Morris Commercial 15/20 cwt. PV (later) 1950-53; 25/30 cwt. (later) 1952; 30 cwt. LC4, LC5 and LCO5 1953-59; CV Ambulance (later) 1951; CV11/40 and CV9/40 1950-51; FV, FVS and FV512/5 1949-55; NV and NV12/3 1954-55; NVO12/3 1955; NVS, NVS12/3 and NVS13/5 1951-55; PP Coach 1950-51; 10 cwt. 'J' and 'JB' Vans 1949-59; 'J2' 1957-59; LD1 and LD2 1954-59; 3 ton (G.P.O.) 1956-59; Series III Trucks (Diesel) 1956; Series III Trucks 1957-59; Series IVFF Trucks 1958-59.
- 22258 C39PV-2 12 volt—continued  
Nash 'Metropolitan' 1954-59.  
Paramount Cars Roadster and Coupé 1951-54.  
Peerless 'Gran Turismo' 1959-60.  
Reliant 'Regal' Car and Van (12 volt) 1959; 10 cwt. Van (3-wheeler, 12 volt) 1951-56; 'Regent Four' Van (Export only) 1959-60.  
Riley 1 $\frac{1}{2}$  litre 1951-55; 'One-Point-Five' 1958-59.  
Rover '60' 1954-59; 'Landrover' and Station Wagon (Petrol) 1950-60.  
Singer 9 4AC and 4AD 1950-55; 'SM1500' 1949-54; 'Hunter' and 'S' Model 1955-56; 'Gazelle' 1957-59.  
Standard 'Eight' and 'Ten' 1954-59; All 'Vanguard' Models 1948-59; 'Pennant', 'Ensign' and 'Atlas' 1958-59.  
Sunbeam 'Rapier' 1956-58.  
Swallow 'Doretti' 1954-55.  
Triumph '2000' 1949; 2-seater Sports 1954; TR2 and TR3 1955-59; 'Mayflower' 1950-53; 'Renown' 1950-54.  
Trojan All Models 1950-60.  
Vauxhall All Models (except 14 1948) 1948-60.  
Wolseley All 4 cylinder Models (except 'Fifteen Sixty') 1950-59.
- 22259 C39P-2 12 volt  
Rover 'Landrover' and Station Wagon 1948-49.
- 22262 C39PV-2 6 volt  
Bedford 30 cwt., 2/3, 3/4 and 5 ton and Scammell Tractor 1949-50; Ambulance 1949-50.  
Jensen 30 cwt. 'Jen-Tug' Tractor 1949-50.  
Jowett 'Bradford' Van, De Luxe and 6 Light Utility 1949-50.
- 22265 C39PV-2 12 volt  
Allard 'K3' Models 1955; 'Palm Beach' 21C and 21Z 1953-55.  
Austin-Healey 'Sprite' 1958-60; 10 cwt. 'Gipsy' (when rev. counter fitted) 1959-60.  
Elva 'Courier' (B.M.C. 1,500 c.c. Engine) 1959-60.  
Lotus Mk. IX (Climax Engine) 1958-59.  
M.G. 'Midget' (later) 1952-55.
- 22268 C39PV-2 12 volt  
Austin Petrol Tanker 1957-60.  
Morris Commercial Petrol Tankers 1951-52; Petrol Tanker 1957-60.
- 22279 C39PVR-2 12 volt  
Jaguar XK-SS Open 2-seater (U.S.A. only) 1958.
- 22290 C39PVR-2 12 volt  
Cooper 'Monaco' Sports (Climax Engine) 1959-60.  
Layton Sports Car 'Jomar' (TVR, Climax Engine) 1959-60.  
Lotus Mk. IX (Climax Engine) (later) 1959.
- 22295 C39PV-2 12 volt  
M.G. MGA and MGA 1600 (Twin Cam) 1958-60.
- 22296 C39PVR-2 12 volt  
Fairthorpe 'Electron' 1959-60.  
Lotus 'Elite' 1959-60.
- 22299 C39PV-2 12 volt  
Austin Series III and IVFF (B.R.S.) 1960.  
Morris Commercial Series III and IVFF (B.R.S.) 1960.
- 22300 C39PV-2 12 volt  
Austin Series III and IVFF (B.R.S.) 1960.  
Morris Commercial Series III and IVFF (B.R.S.) 1960.
- 22409 C45YV-5 6 volt  
Jensen 30 cwt. 'Jen-Tug' 1946-52.
- 22413 C45PV-3 12 volt  
Bentley 4 $\frac{1}{2}$  litre Mk. VI 1946.  
Rolls-Royce 'Silver Wraith' 1946.
- 22416 C45YV-3 12 volt  
Citroen '15' 1946-50.
- 22430 C45YV-3 12 volt  
Citroen '23' 1946-55.
- 22434 C45PVB 12 volt  
Morris 'Six' Saloon 1948-49.  
Wolseley 'Six Eighty' 1949-50.
- 22443 C45PV-4 12 volt  
Allard All Models (later) 1950-52.
- 22448 C45YV-5 6 volt  
Morris 8 1946-48; 5 cwt. (Export) 1946-52; 5 cwt. (later) 1952-53.
- 22449 C45YV-4 12 volt  
Austin 10 Van and 12 1946-47.  
Commer 8 cwt. Van 1946-48.  
Hillman 'Minx' 1946-48.  
H.R.G. 9 and 12 1946-52.  
Jowett 'Javelin' 1948-49.  
Lanchester LD10 1946-51.  
M.G. 1 $\frac{1}{2}$  litre 1947-49.  
Morgan 'Plus Four' 1946-50; 'Four-Four' (Standard Engine) 1949-50.  
Morris 10 1946-48; 10 cwt. Van 1946-50.  
Morris Commercial 15/20 cwt. PV and 25/30 cwt. LC3 1946-49.  
Riley 1 $\frac{1}{2}$  litre 1946-50.  
Singer 9 and 12 1946-49.  
Standard 12 and 14 1946-48.  
Sunbeam-Talbot 10 1946-47; '80' 1948-50.  
Triumph '1800' 1946-48.  
Trojan 15/20 cwt. Van 1946-49.  
Wolseley 10 and 12 1946-48.
- 22450 C45YV-3 6 volt  
Austin 8 1946-47.
- 22451 C45YV-3 6 volt  
Bedford 5/6 and 10/12 cwt. Vans 1946-47.  
Vauxhall 10 and 12 1946-47.
- 22452 C45YV-3 12 volt  
Jaguar 1 $\frac{1}{2}$  litre Saloon 1946-48.  
M.G. 1 $\frac{1}{2}$  litre (Tourer and U.S.A.) 1949; 'Midget' 1946-49.
- 22455 C45P-5 12 volt  
Commer 25 cwt. Forward Control 1946-48.  
Karrier 'Bantam' 1946-48.  
Standard 12 (Belgium and Holland) 1946-48.
- 22472 C45YV-5 6 volt  
Morris 5 cwt. Van 1953.
- 22474 C45NV-4 6 volt  
Bedford 30 cwt. 1946-48; 2/3, 3/4 and 5 ton Trucks and Scammell Tractor 1946-47.
- 22478 C45PV-5 12 volt  
Allard All Models (Except '21C' and '21Z') (later) 1952-55.  
Jensen 4 litre 'Interceptor' (later) 1951-55; 541 R 1958-59.
- 22481 C47 12 volt  
Bentley Model 'S' Saloon and 'Continental' Sports 1955-57.  
Rolls-Royce 'Silver Wraith' 1956-59; 'Silver Cloud' 1956-57.
- 22482 C45YV-5 6 volt  
Jowett 10 cwt. 'Bradford' Van 1947-49.  
Wolseley 8 1946-48.
- 22489 C45PV-6 12 volt  
Alvis 3 litre TD21 1958-60.  
Armstrong Siddeley 'Sapphire' 1955; 'Sapphire' 346 Saloon and Limousine 1956-59;  $\frac{1}{2}$  ton Pick-up Truck (Export only) 1957.  
Austin 'Hereford' 1955; A105 1957-59; 'Princess', Ambulance and Hearse 1955-60; Austin-Healey '100' 1955-59; Taxi and Hire Car 1955-58; 'Champ' (Civilian) 1955-56; 2/5 ton Series II 1955; Series III Trucks and Prime Mover 1956; Series III Trucks and Prime Mover (high speed) 1959-60.  
Bedford S Type Trucks and Tractors (Bedford Diesel) 1958; TD and TC Trucks 1958; TJ and TC Trucks (4 cylinder Diesel) 1959-60.

continued



# GENERATORS

## VEHICLE APPLICATION REFERENCE—continued

### 22489 C45PV-6 12 volt—continued

Citroen DS19 1956.  
Commer  $\frac{3}{4}$  ton Van and Passenger Chassis (Heavy Duty Diesel) 1960; 2/3, 3/4 and 5 ton 'Superpoise' 1955-58; 3, 5 and 6 ton 'Superpoise' (Diesel) 1959-60; 4, 5 and 6 ton Forward Control (Diesel) 1959-60; 5 ton Forward Control 1955-58; 7 ton Forward Control 1955-60; 10/12 ton Tractor (Diesel) 1957-60.  
Daimler All Models 1956-60; 'Empress', 'Regency' and 'Sportsman' 1955.  
Dodge Petrol Models 1956-60; Perkins R6 Diesel, 12 volt (later) 1959-60.  
Humber 'Super Snipe' 1955-60.  
Jaguar 2.4 litre 1956-60.  
Jensen '541' 1954-57.  
Karrier 'Bantam' (Diesel) 1955-56; 'Gamecock' 1955-60; 1 $\frac{1}{2}$ /1 $\frac{1}{2}$  ton Passenger Chassis 1957-60.  
Morris 'Isis' 1956-58.  
Morris Commercial 2/5 ton Series III (Petrol) 1956; LDO, LDO1, LDO2 and LCFO 1956-59; Series III (high speed engine) 1959-60; LCOSX (G.P.O.) and 3 ton KNC 1958-59.  
Riley 'Pathfinder' 1955-57; 'Two-Point-Six' 1958-59.  
Rover '75', '90' and '105' 1955-59; '100' 1960; 'Landrover' (Diesel Models) 1958-60.  
Smith's Delivery Vehicles Mobile Shop 1956.  
Sunbeam 'Alpine', 'Alpine Special' and Coupé 1955; Saloon Mk. III 1955-57.  
Wolsley 'Six-Ninety' 1955-59.

### 22492 C47 12 volt

Austin Coach 1957-60.  
Morris Commercial Coach 1957-60.

### 22494 C45PV-6 12 volt

Bedford S Type Trucks and Tractors 1959-60; 1/6 ton TJ Diesel Trucks (6 cylinder) 1959-60; 4/6 ton TC Forward Control Diesel Truck 1959-60.  
Morris Commercial ECVO13/5 1949.

### 22496 C45PVS-6 12 volt

Aston Martin All Models (later) 1952-60.  
Austin 'Sheerline' and 'Princess' 1948-49.  
Jaguar 2 $\frac{1}{2}$  litre 1948-51; 3 $\frac{1}{2}$  litre 1948-58; Mk. VIII 1957-59; 3.8 litre 1960; XK120 1949-54; XK140 1955-57; 3.4 litre and XK150 1958-60.  
Lagonda 2 $\frac{1}{2}$  litre (later) 1952.  
Rover '60' 1948-49; '75' 1948-52.

### 22497 C45PV-6 12 volt

Austin Petrol Tanker 1946-55 and 1960.  
Morris Commercial Petrol Tanker 1960.

### 22502 C45PV-6 12 volt

Austin 4 x 4 Cargo Truck 1954-55.  
Commer 3 ton four wheel drive Cross Country Vehicle 1956.

### 22503 C45PV-6 12 volt

Daimler 2 $\frac{1}{2}$  litre Models (except 'Consort') (later) 1949-53.  
Jensen 4 litre 'Interceptor' 1951; 541 and 541R 1960.  
Jowett 'Jupiter' Sports 1951-54.

### 22519 C45PV-6 12 volt

Alvis All Models 1946-55.  
Armstrong Siddeley All Models 1946-54.  
Aston Martin 2 litre 1947-50.

### 22519 C45PV-6 12 volt—continued

Austin 16 1946-48; A70 1948-54; A90 1949-52; A125 'Sheerline' Limousine, Ambulance and Hearse 1950-54; 'Princess' 1949-54; Austin-Healey '100' and '100M' 1954; Taxi (Petrol) 1948-54; Hire Car (Petrol) 1950-54; 'Champ' (Civilian) 1954; 25 cwt. Van and Ambulance 1948-54; 2 and 3 ton 1946-48; 2 and 5 ton 1949-54.  
Bedford S Type Trucks and Tractors (Perkins R6 Diesel Engine) and 1/6 ton TA Diesel Trucks 1953-57.  
Bristol All Models 1947-50.  
Commer 15/25 cwt. 1946-48; 25 cwt. Forward Control and 'Superpoise' 1949-50; 2 and 3 ton 1946-47; 2/3 and 3/4 ton 1949-54; 4/5 ton 1949-51; 5 ton 'Superpoise' 1952-54; 3 and 4 ton 1947-49; 5 ton 1947; 5 and 7 ton Forward Control 1949-54; 6 $\frac{1}{2}$  ton 1949-50; Fire Tender or Pump Chassis 1952-53.  
Daimler 27 and 36 Limousine 1946-53; 2 $\frac{1}{2}$  litre Models 1946-49; 2 $\frac{1}{2}$  litre 'Consort' 1950-53; 3 litre 'Regency' 1953; DC27 Ambulance 1949-54; 'Empress', 'Regency', 'Sportsman' and 'Regina' 1955; 3 $\frac{1}{2}$  and 4 $\frac{1}{2}$  litre (alternative) 1959.  
Dodge Petrol Models 1949-55; Perkins P6 Diesel 1951; Perkins R6 Diesel (12 volt) 1959.  
Healey All Models 1948-54.  
Humber 'Hawk' 1946-48; 'Imperial' 1946-53; 'Pullman' and 'Super Snipe' 1946-54; 'Snipe' 1946.  
Jaguar 2 $\frac{1}{2}$  litre 1946-47; Mk. V 1946-52; Mk. VII 1952-58.  
Jensen 4 litre 'Interceptor' 1950; 6 ton 'JNSN' Lightweight 1946-47; Lightweight Commercial Vehicle 1954-55.  
Karrier 'Bantam' (later) 1948-50; 'Cob' 1947-48; 'Gamecock' 1953-54.  
Morris 'Six' Saloon 1950-54.  
Riley 2 $\frac{1}{2}$  litre and 'Pathfinder' 1947-54.  
Rover 10, 12, 14 and 16 1946-47; '75' 1952-54.  
Smith's Delivery Vehicles 2 ton (Diesel) 1955.  
Sunbeam-Talbot 2 litre 1946-47; '90' 1948-54.  
Wolsley 14 and 18 1946-48; 'Six Eighty' (later) 1950-54.

### 22528 C45PV-6 12 volt

Armstrong Siddeley 'Star Sapphire' 1959-60; 'Star' Limousine 1960.  
Austin Ambulance and Hearse (power steering) 1960.  
Dodge R6 (12 volt, power steering) 1960.  
Jaguar power steering models 1959-60.

### 22530 C45PV-6 12 volt

Austin A99 1959-60; B.M.C. 'Princess' 3 litre 1960; Austin-Healey '3000' 1959-60; Taxi and Hire Car 1959-60.  
Rover 3 litre 1959-60.  
Wolsley 'Six Ninety-Nine' 1959-60.

### 22532 C45PV-6 12 volt.

Hillman 'Minx' (Easidrive) 1959-60.  
Singer 'Gazelle' (Easidrive) 1959-60.

### 22700 C40-1 12 volt

Austin 'Seven' 850 and A55 Mk. II 1959-60; A35 (later) 1959-60; A40, A55 Van and Pick-up Truck, 'Metropolitan', LD1A, LDO1A, LD2A, LDO2A, 101 Van, 152 Range, 301 Range, 'Gipsy', Series III Trucks, Series IVFF Trucks and Series IVFG Trucks 1960.  
Bedford TJ and TC Trucks (Petrol) (later) 1960.  
Commer 'Cob' Series II,  $\frac{3}{4}$  ton Forward Control Van and Passenger Chassis 1960.

### 22700 C40-1 12 volt—continued

Daimler SP250 Sports 1960.  
Fairthorpe 'Minor' 1959-60; 'Zeta' 1960.  
Hillman 'Minx' Series IIIA 1959-60; 'Husky' Series II 1960.  
Lotus Mk. VII Series II (Austin A40 and Ford 105E Engines) 1960.  
M.G. MGA 1600 and 'Magnette' Mk. III 1960.  
Morris 'Minor 1000' and 'Oxford' 1960; 'Mini-minor' 850 1959-60; 'Mini-van', Quarter Ton and Half Ton Vans and Pick-up Truck 1960.  
Morris Commercial 'JB' Van, J2 Models, LD1, LD2, LDO1, LDO2, LC5, Series III Trucks, Series IVFF Trucks and Series IVFG Trucks 1960.  
Nash 'Metropolitan' Series IV 1960.  
Reliant 'Regal' Car and Van (12 volt) (later) 1959-60; 'Regent Four' Van (later) 1960.  
Riley 'One-Point-Five' 1960; 'Four Sixty-Eight' 1959-60.  
Rover '80' 1960.  
Simca 'Aronde' 'Elysee', 'Etoile' and 'Montlhery' 1960.  
Singer 'Gazelle' Series IIIA 1959-60.  
Standard All Models 1960.  
Sunbeam 'Alpine' Sports and 'Rapier' 1959-60.  
Triumph TR3 1960; 'Herald' 1959-60.  
Vauxhall All Models (later) 1960.  
Wolsley 'Fifteen Sixty' 1959-60; 'Fifteen Hundred' 1960.

### 22800 C48 12 volt

Bentley 'S' Model 1958-59; 'S2' Saloon and 'Continental' 1960.  
Rolls-Royce 'Silver Cloud' 1958-59; 'Silver Cloud' II and 'Phantom' V 1960.

### 22802 C48 12 volt

Austin Series IVFF (special orders) (later) 1960.  
Morris Coach (later) 1960.

### 22803 C48 12 volt

Jaguar Mk. IX (power steering stator) 1960.

### 23000 RA5 12 volt

Aston Martin DB2 1951-52.  
Bentley 4 $\frac{1}{2}$  litre Mk. VI 1947-51.  
Lagonda 2 $\frac{1}{2}$  litre 1949-52.  
Rolls-Royce 'Silver Wraith' 1947-53.

### 23002 RA5 12 volt

Bentley 4 $\frac{1}{2}$  litre Mk. VII and 'Continental' Sports 1952-54.  
Rolls-Royce 'Silver Wraith' and 'Silver Dawn' 1953-55.

### 228306 C45YV-3 12 volt

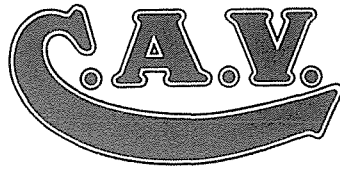
Vauxhall 14 1946-48.

### 238395 C45PV-3 12 volt

H.R.G. 12 1946-48.  
Morris Commercial 35/40, 45/55, 60/70 cwt., 5 ton Forward Control Tipper and ECV13/3 1946-48; CV Ambulance 1948-49; CVF13/5, CV11/30, CV11/40 Lorries and CV10 (Tippers) 1946-48.  
Singer 12 1946-49.

### 238498 C45P-3 12 volt

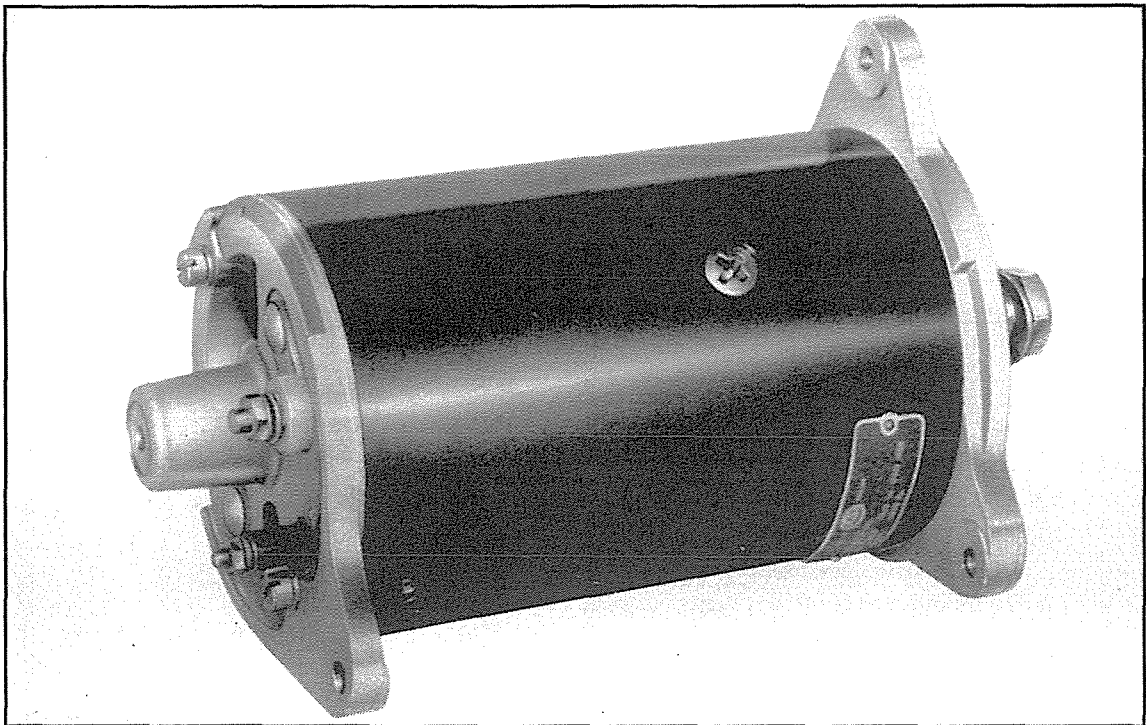
Allard All Models 1947-50.  
Jensen 3 $\frac{1}{2}$  litre 1946-47.



## GENERATORS

### Model Interpretation

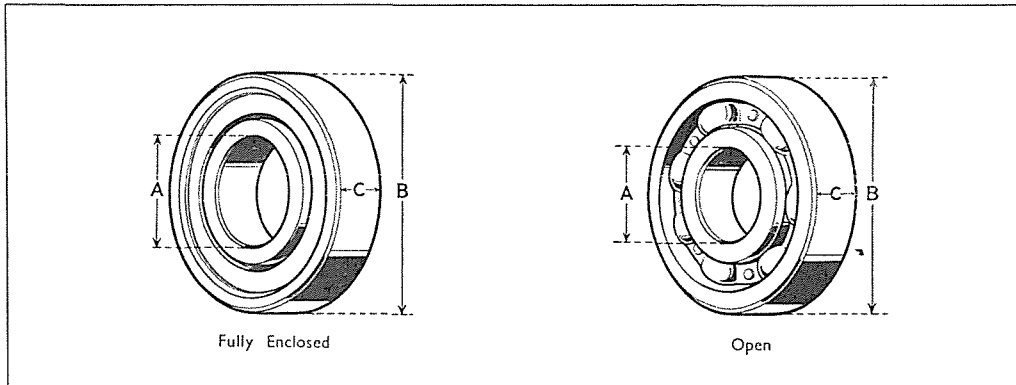
D or G	Dynamo or Generator.
H	Generator of simplified design.
45	4½" yoke diameter.
5	5" yoke diameter.
55	5½" yoke diameter.
L	Long yoke.
F	Fan ventilated.
12 } 24 }	Voltage.
A or B	Design change letter.
13	Symbol number covering special features.
X	Condenser fitted for suppression.



Typical Generator Type GH4524



# C.A.V. BEARING CHART



## COMMUTATOR END BEARINGS

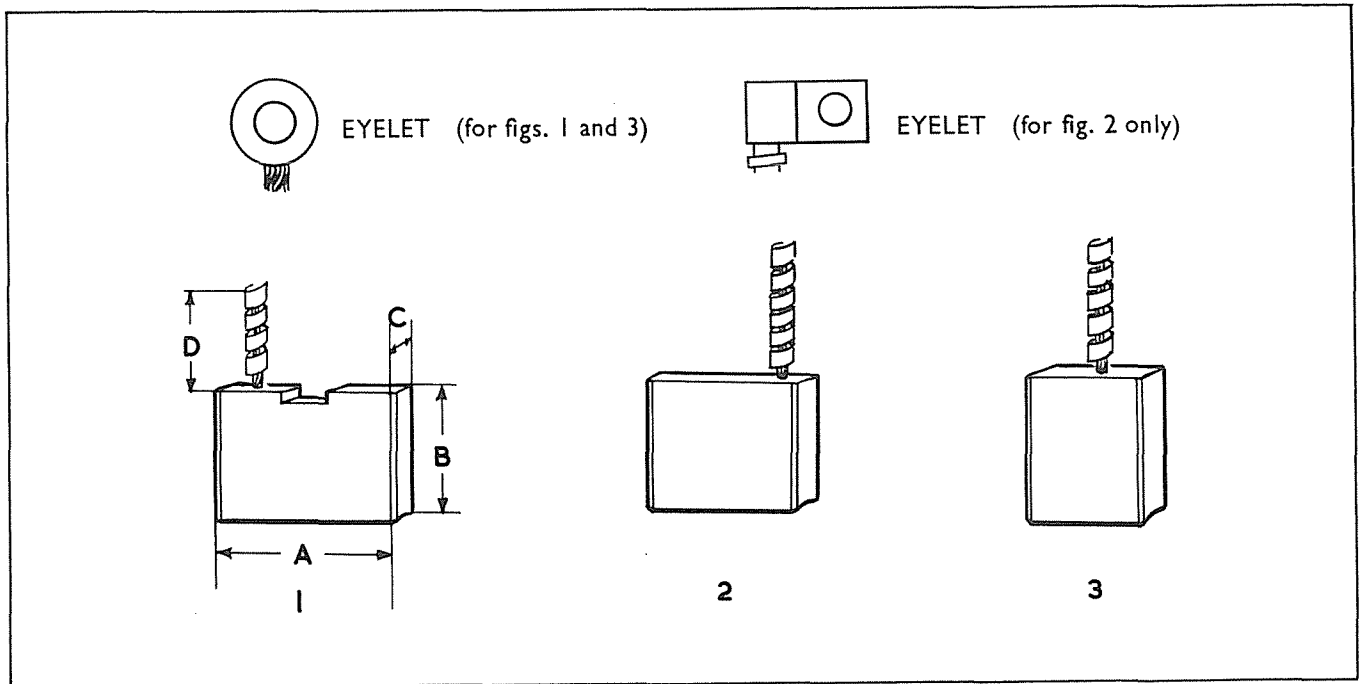
Part No.	Type	Description	Bore A	Outside Diameter B	Width C
NC1-4	LS7	Ball journal bearing; rigid single row; deep groove; inch sizes	$\frac{5}{8}$ "	$1 \frac{9}{16}$ "	$\frac{7}{16}$ "
NC2-4	115P	Ball journal bearing; rigid single row; deep groove; enclosed one side; metric sizes .. .. .	15 mm.	35 mm.	11 mm.
NC2-5	115PP	Ball journal bearing; rigid single row; deep groove; enclosed both sides; metric sizes .. .. .	15 mm.	35 mm.	11 mm.
NC2-7	120P	Ball journal bearing; rigid single row; deep groove; metric sizes	20 mm.	47 mm.	14 mm.

## DRIVE END BEARINGS

Part No.	Type	Description	Bore A	Outside Diameter B	Width C
NC1-6	LS9	Ball journal bearing; rigid single row; deep groove; inch sizes	$\frac{7}{8}$ "	2"	$\frac{9}{16}$ "
NC2-5	115PP	Ball journal bearing; rigid single row; deep groove; enclosed both sides; metric sizes .. .. .	15 mm.	35 mm.	11 mm.
NC2-8	120PP	Ball journal bearing; rigid single row; deep groove; enclosed both sides; metric sizes .. .. .	20 mm.	47 mm.	14 mm.
NC2-16	317	Ball journal bearing; rigid single row; deep groove; metric sizes	17 mm.	47 mm.	14 mm.
5975-49	117	Ball journal bearing; rigid single row; deep groove; metric sizes	17 mm.	40 mm.	12 mm.



# C.A.V. BRUSH CHART



Part No.	Fitted to	No. off per set	Dimensions				Brush Index No.
			A	B	C	D	
5603-128	D5LF10 .. .. .	4	25.4 mm.	20 mm.	5.55 mm.	45 mm.	3
5827-33	G5A12-9 .. .. .	2	1"	$\frac{3}{4}$ "	$\frac{7}{32}$ "	$2\frac{1}{2}$ "	1
5827-33B	G5A24-6, G5A24-9 and G5A24-20X .. .. .	2	1"	$\frac{3}{4}$ "	$\frac{7}{32}$ "	$2\frac{1}{2}$ "	1
5975-39	GH4524-1 and GH4524-2 .. .. .	2	1"	$\frac{3}{4}$ "	$\frac{5}{16}$ "	$2\frac{3}{8}$ "	2
5832-32	H55A12-7, H55A12-11, H55A12-15 and H55A12-20 .. .. .	4	$1\frac{1}{16}$ "	$\frac{3}{4}$ "	$\frac{1}{4}$ "	$2\frac{1}{2}$ "	1
5832-32A	H55A24-2, H55A24-16 and H55A24-28 .. .. .	4	$1\frac{1}{16}$ "	$\frac{3}{4}$ "	$\frac{1}{4}$ "	$2\frac{1}{2}$ "	1



# C.A.V. GENERATORS



## DETAILED SPARE PARTS

Part No. . . . .	1108010	1108020	—	1130090	1131060	1131090	1131200
Model . . . . .	GH4524-1	GH4524-2	D5LFA10	G5A12-9	G5A24-6	G5A24-9	G5A24-20X
Armature . . . . .	A569	A720	A335	A399	A395	A395	A395
Key, armature . . . . .	NK1-5	NK1-5	NK1-8	NK1-6	NK1-6	NK1-6	NK1-6
Nut, shaft . . . . .	5975-52	5975-52	5314-51	NU3-10Z1	NU3-10Z1	NU3-10Z1	NU3-10Z1
Washer, spring, shaft . . . . .	5936-74	5936-74	5001-49	5001-49	5001-49	5001-49	5001-49
Ballrace, commutator end . . . . .	—	NC2-5	NC1-4	NC2-4	NC2-4	NC2-4	NC2-4
Oil guard, commutator end . . . . .	5975-45	—	5603-318A	—	—	—	—
Washer, felt . . . . .	5975-43	—	5561-224	—	—	—	—
Ballrace, drive end . . . . .	5975-49	NC2-16	NC1-6	NC2-5	NC2-5	NC2-5	NC2-5
Plate, clamp, drive end . . . . .	5975-46	5975-65	5603-12	5827-12	5827-12	5827-12	5827-12
Rivet, clamp plate . . . . .	5336-250	5336-288	—	5336-188	5336-188	5336-188	5336-188
Screw, clamp plate . . . . .	—	—	NS16-27Z1	—	—	—	—
Washer, spring, plate screw . . . . .	—	—	5244-22	—	—	—	—
Ring, bearing retainer . . . . .	5936-70	5975-77	—	5827-27	5827-27	5827-27	5827-27
Through bolt . . . . .	5975-40	5975-70	5603-48	NS85-28Z1	NS85-28Z1	NS85-28Z1	NS85-28Z1
Washer, spring, through bolt . . . . .	5293-57	5936-102	5293-57	5293-57	5293-57	5293-57	5293-57
Nut, through bolt . . . . .	—	—	5072-1	5072-1	5072-1	5072-1	5072-1
Field coils . . . . .	F375	F375	F86	F86	F352	F352	F352
Tag, field coils . . . . .	—	5459-302	5459-189	5459-45	5459-45	5459-45	5459-45
Pole screw . . . . .	5333-163	5333-163	5333-99A	5333-159	5333-159	5333-159	5333-159
Collar, shaft . . . . .	5975-44	5975-76	5603-53	—	—	—	—
Lid, terminal box . . . . .	—	—	5603-183	—	—	—	—
Terminal box . . . . .	—	—	5603-45E	—	—	—	—
Bush, cable . . . . .	—	—	5603-44	—	—	—	—
Screw, terminal box fixing . . . . .	—	—	5603-39	—	—	—	—
Shield assembly, commutator end . . . . .	5975-8	5975-74	5603-117L	5827-78C	5827-70	5827-70	5827-70A
Brush . . . . .	5975-39	5975-39	5603-128	5827-33	5827-33B	5827-33B	5827-33B
Spring, brush . . . . .	5975-13	5975-13	5391-21A	5827-24	5827-24	5827-24	5827-24
Trigger, brush . . . . .	—	—	5603-144	—	—	—	—
Screw, brush . . . . .	5324-33	5324-33	5335-327	NS39-10T	NS39-10T	NS39-10T	NS39-10T
Washer, spring, brush screw . . . . .	NP1-5	NP1-5	5293-57	NP1-5	NP1-5	NP1-5	NP1-5
Washer, plain, brush screw . . . . .	—	—	5083-1	5080-6	5080-6	5080-6	5080-6
Bearing bush, commutator end . . . . .	5975-16	—	—	—	—	—	—
Spring, bearing load . . . . .	—	—	—	5827-54	5827-54	5827-54	5827-54
Cover band . . . . .	—	—	5603-105	5827-25	5827-25	5827-25	5827-25
Screw, cover band . . . . .	—	—	—	5332-32	5332-32	5332-32	5332-32
Nut, cover band . . . . .	—	—	—	5462-127	5462-127	5462-127	5462-127
Plate, cover, commutator end . . . . .	—	—	5603-63A	—	—	—	—
Gasket, cover plate . . . . .	—	—	5603-212A	—	—	—	—
Screw, cover plate . . . . .	—	—	NS16-10Z1	—	—	—	—
Washer, spring, cover plate . . . . .	—	—	5244-22	—	—	—	—
Plate, terminal, top . . . . .	—	—	—	5827-67	5827-67	5827-67	5827-67
Plate, terminal, front . . . . .	—	—	—	5827-65	5827-65	5827-65	5827-65
Screw, terminal plate . . . . .	—	—	—	5334-182	5334-182	5334-182	5334-182
Plug, oil . . . . .	—	—	5337-54	—	—	—	—
Washer, spring, oil plug . . . . .	—	—	5001-31	—	—	—	—
Condenser . . . . .	—	—	—	—	—	—	5827-105
Screw, condenser . . . . .	—	—	—	—	—	—	NS37-5Z1
Washer, lock, condenser screw . . . . .	—	—	—	—	—	—	NP1-5

For illustrations, see pages D24–D26



# C.A.V. GENERATORS

## DETAILED SPARE PARTS

Part No. . . . .	—	1150110-1	1150150-2	1150202	1151020	1151160-1	1151280
Model . . . . .	H5512-7	H5512-11 H55A12-11	H5512-15 H55A12-15	H55A12-20	H5524-2	H5524-16 H55A24-16	H5524-28
Armature . . . . .	A413	A413	A413	A413	A421	A421	A421
Key, armature . . . . .	NK1-9	NK1-9	NK1-9	NK1-9	NK1-9	NK1-9	NK1-9
Nut, shaft . . . . .	5330-168	5330-168	5330-168	5330-168	5330-168	5330-168	5330-168
Ballrace, commutator end . . . . .	NC2-7	NC2-7	NC2-7	NC2-7	NC2-7	NC2-7	NC2-7
Ballrace, drive end . . . . .	NC2-8	NC2-8	NC2-8	NC2-8	NC2-8	NC2-8	NC2-8
Clamp plate, drive end . . . . .	5832-14	5832-14	5832-14	5832-14	5832-14	5832-14	5832-14
Rivet, clamp plate . . . . .	5336-188A	5336-188A	5336-188A	5336-188A	5336-188A	5336-188A	5336-188A
Pin, split, shaft . . . . .	NJ1-38	NJ1-38	NJ1-38	NJ1-38	NJ1-38	NJ1-38	NJ1-38
Ring, bearing retainer . . . . .	5832-12	5832-12	5832-12	5832-12	5832-12	5832-12	5832-12
Through bolt . . . . .	5832-15	5832-15	5832-15	5832-15	5832-15	5832-15	5832-15
Washer, spring, through bolt . . . . .	5001-31A	5001-31A	5001-31A	5001-31A	5001-31A	5001-31A	5001-31A
Nut, through bolt . . . . .	NU3-3Z1	NU3-3Z1	NU3-3Z1	NU3-3Z1	NU3-3Z1	NU3-3Z1	NU3-3Z1
Coils, field . . . . .	F204	F204	F204	F204	F220	F220	F220
Tag, field coils . . . . .	5459-45	5459-45	5459-45	5459-45	5459-45	5459-45	5459-45
Screw, pole (H55) . . . . .	5333-99B	5333-99B	5333-99B	—	5333-99B	5333-99B	5333-99B
Screw, pole (H55A) . . . . .	—	5333-159	5333-159	5333-159	—	5333-159	—
Cover, terminal block . . . . .	5832-90	5832-90	5832-90	5832-90	5832-90	5832-90	5832-90
Terminal block . . . . .	5832-80	5832-80	5832-80	5832-80	5832-80	5832-80	5832-80
Screw, terminal block fixing . . . . .	NS85-1Z1	NS85-1Z1	NS85-1Z1	NS85-1Z1	NS85-1Z1	NS85-1Z1	NS85-1Z1
Brush . . . . .	5832-32	5832-32	5832-32	5832-32	5832-32A	5832-32A	5832-32A
Spring, brush . . . . .	5832-35	5832-35	5832-35	5832-35	5832-35	5832-35	5832-35
Screw, brush . . . . .	NS37-15Z1	NS37-15Z1	NS37-15Z1	NS37-15Z1	NS37-15Z1	NS37-15Z1	NS37-15Z1
Washer, spring, brush screw . . . . .	5244-22A	5244-22A	5244-22A	5244-22A	5244-22A	5244-22A	5244-22A
Washer, plain, brush screw . . . . .	5080-6	5080-6	5080-6	5080-6	5080-6	5080-6	5080-6
Spring, bearing load . . . . .	5832-47	5832-47	5832-47	5832-47	5832-47	5832-47	5832-47
Cover band . . . . .	5832-209	5832-209A	5832-209	5832-209	5832-209	5832-209	5832-209
Screw, cover band . . . . .	5332-32	5332-32	5332-32	5332-32	5332-32	5332-32	5332-32
Nut, cover band . . . . .	5338-1	5338-1	5338-1	5338-1	5338-1	5338-1	5338-1
Plate, cover, commutator end . . . . .	5832-82	5832-82	5832-82	5832-82	5832-82	5832-82	5832-82
Gasket, cover plate . . . . .	5832-84	5832-84	5832-84	5832-84	5832-84	5832-84	5832-84
Gasket, drive end cover . . . . .	5832-57	5832-57	5832-57	5832-57	5832-57	5832-57	5832-57
Screw, end cover . . . . .	NS37-10Z1	NS37-10Z1	NS37-10Z1	NS37-10Z1	NS37-10Z1	NS37-10Z1	NS37-10Z1
Washer, spring, cover screw . . . . .	NP1-5	NP1-5	NP1-5	NP1-5	NP1-5	NP1-5	NP1-5
Washer, plain, cover screw . . . . .	5339-276A	5339-276A	5339-276A	5339-276A	5339-276A	5339-276A	5339-276A
Condenser . . . . .	—	5603-187A	—	—	—	—	5603-187A
Screw, condenser . . . . .	—	NS42-2T	—	—	—	—	NS42-2T
Washer, condenser screw . . . . .	—	NP1-8	—	—	—	—	NP1-8
Nut, condenser screw . . . . .	—	NU2-2T	—	—	—	—	NU2-2T

For illustrations, see pages D24–D26

## VEHICLE APPLICATION REFERENCE

1108020 GH4524-2 Dodge with Perkins R6 engine (power steering) 1958–60; with Leyland 0.350 engine (power steering) 1959–60.	1131200 G5A24-20X Bedford SLO-SSO Truck and SAO Tractor 1954–56.	1150152 H55A12-15 Bedford S Type Bus (Perkins engine) 1957–58; SB Coach and Chassis 1960. Commer 4, 5 and 6 ton Forward Control (Diesel Passenger and Export Canada) 1959–60; 7 ton Forward Control and 10/12 ton Tractor 1959–60; 'Avenger' Coach (Petrol) 1959–60; Fire Tender and Pump Chassis 1959–60.
D5LFA10 Austin Coach 1947–55. Commer 'Commando' (Petrol) 1947–53; 'Commando' (Diesel) 1947; 8 ton Tractor Trailer (Diesel) 1950. Dodge Bus (Perkins P6 engine) 1951–53.	H5512-7 Morris Commercial 'PP' Coach (heavy duty) 1950–51.	1151020 H5524-2 Morris Commercial OP Passenger Chassis (24 volt) 1949–50.
1130090 G5A12-9 Dodge Bus (Perkins P4 and P6 engines) 1954–60.	1150110 H5512-11 Bedford SH Fire Engine Chassis 1951–53.	1151160 H5524-16 Commer 'Avenger' (TS3 Diesel engine, 24 volt) 1954–58.
1131060 G5A24-6 Dodge Models with Leyland 0.350 engine 1958–60.	1150111 H55A12-11 Bedford SB Coach and Chassis 1959.	1151161 H55A24-16 Bedford S Type and SB Coach and Chassis (Leyland Diesel engine) 1960. Commer 'Avenger' (TS3 Diesel engine, 24 volt) 1959–60.
1131090 G5A24-9 Bedford S Type and SB Coach and Chassis (Leyland Diesel engine) 1958–59. Commer 5 and 6 ton 'Superpoise' (Diesel, 24 volt) 1954–60. Dodge with Perkins R6 Diesel engine (24 volt) 1954–58.	1150150 H5512-15 Bedford Bus and SB Coach 1946–58; Fire Engine Chassis 1955–57. Commer 5 and 7 ton Forward Control and 10/12 ton Tractor 1958; 'Avenger' Coach (Petrol) 1949–58; Fire Tender and Pump Chassis 1954–58.	1151280 H5524-28 Bedford SBO Coach 1954–56.