

AO355F

**SERVICE PARTS LIST**

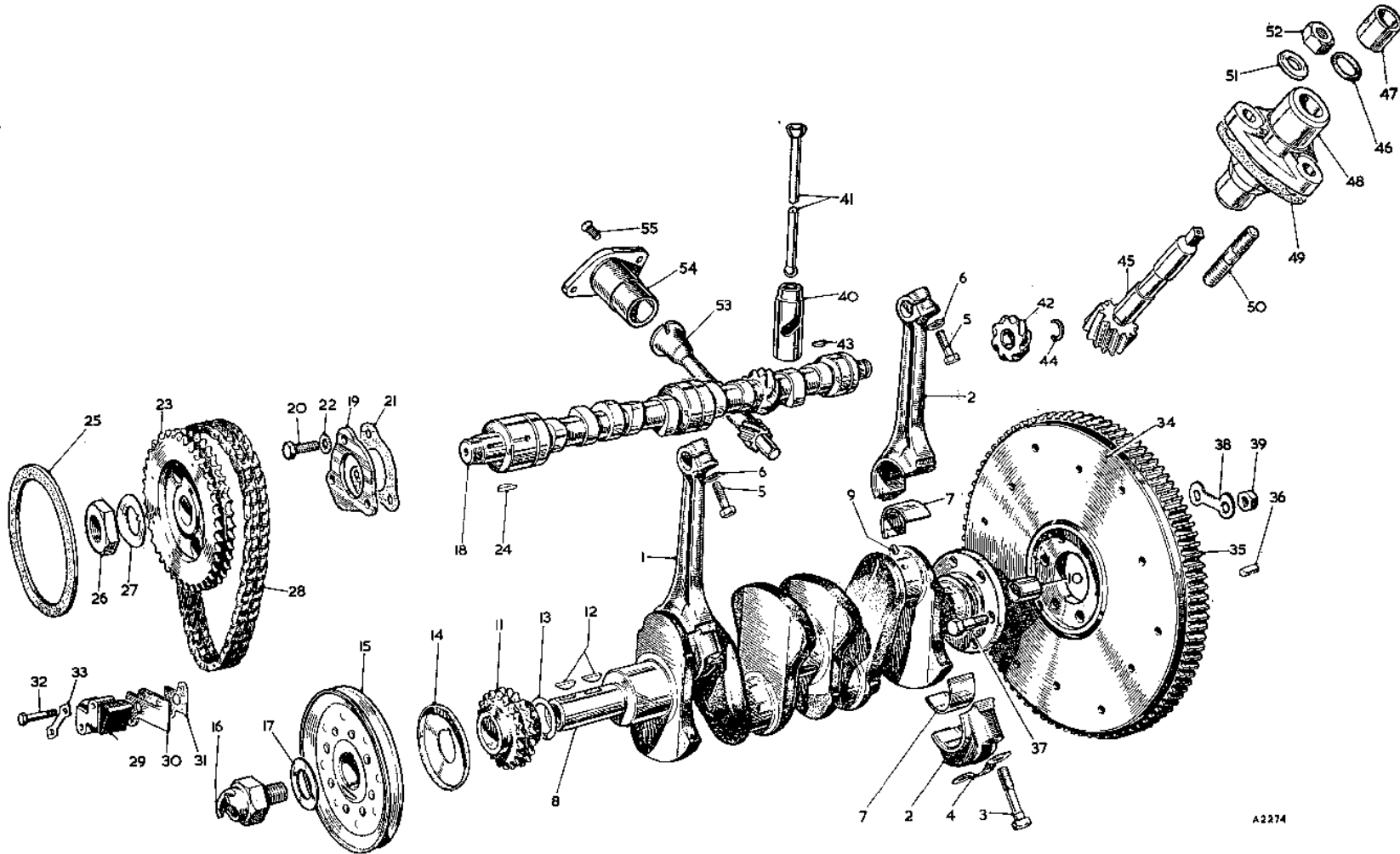
**THE M.G. Series MGA 1500**

Item No.	DESCRIPTION	Commencing (E) GB101		Qty. per Vehicle		Unit of Issue	Type of Vehicle	MODIFICATIONS			REMARKS
		Part Number	Illus. No.	RHD	LHD			New Part Number	Change Point	Amdt. No.	
	<b>ENGINE</b>										
	<b>ENGINE UNIT</b>										
1	Stripped engine unit .....	8G207		1	1			8G210 48G165 48G166	Com. (E) GB259 Com. (E) GD101		
2	Short block assembly .....	48G39		1	1						When supplying 48G39 prior to (E) GB259 always supply in addition 1 off each 11G93 cover, 11G95 washer, 11G96 plate, 11G97 washer, 11G136 plate, 11G203 gear, 17H343 tensioner, and AEC339 joint
3	Cylinder block and piston assembly .....	48G44	A1	1	1			48G38  48G151	Com. (E) GB259  Com. (E) GD101		When supplying 48G38 prior to (E) GB46342 always supply in addition 1 off 51K889 stud and 2 off 51K890 stud
4	Plug—welch (large) .....	2K8169	A2	4	4						
5	Plug—crankcase oil gallery .....	1H813	A3	1	1						
6	Plug—crankcase oil gallery .....	2K8623	A4	3	3						
7	Plug—crankcase oil hole (taper) .....	6K874	A5	2	2						
8	Plug—transverse oil hole (screwed) .....	2K2992	A6	1	1						
9	Washer for plug .....	6K638	A7	1	1	12					
10	Plug—oil relief valve vent holes .....	6K899	A8	2	2						
11	Plug—oil hole—oil filter boss .....	11G14	A9	1	1						
12	Plug—redundant dipper rod boss and rear main bearing cap .....	2K4608	A10	2	2	12					
13	Plug—redundant dipper rod boss .....			1	1			2K4608	Fin. (E) GB40104 Com. (E) GB40105		
14	Plug—chain tensioner oil feed .....		A11	1	1			11G14	Com. (E) GB259		
15	Joint for front and rear main bearing caps .....	1H853	A12	2	2	12					
16	Stud for main bearing cap .....	51K894	A13	6	6						
17	Washer (spring) main bearing cap stud .....	LWN208	A14	6	6						
18	Nut for main bearing stud .....	LNN208	A15	6	6						
19	Stud for cylinder head (long) .....	51K245	A16	4	4						
20	Stud for cylinder head (short) .....	51K246	A17	7	7						
21	Stud for oil pump (long) .....	51K889	A18	1	1						
22	Stud for oil pump (short) .....	51K890	A19	2	2						
23	Stud for oil pump .....			3	3			51K267	Fin. (E) GB46044 except 46101 to 46341 Com. (E) GB46045 to 46100, then 46342 on		
24	Liner for camshaft bearing .....	8G2176	A20	1 set	1 set	1					
25	Bearing—main (standard) .....	8G2081	A21	1 set	1 set	1		8G2175	Com. (E) GB3511		

SERVICE PARTS LIST

THE M.G. Series MGA 1500

Item No.	DESCRIPTION	Commencing (E) GB101		Qty. per Vehicle		Unit of Issue	Type of Vehicle	MODIFICATIONS			REMARKS
		Part Number	Illus. No.	RHD	LHD			New Part Number	Change Point	Amdt. No.	
	<b>Engine Unit—continued</b>										
1	Washer—thrust (upper)	1G2331	A22	2	2	12					
2	Washer—thrust (lower)	1G2332	A23	2	2	12					
3	Dowel for gearbox mounting plate	1G752	A24	2	2						
4	Piston assembly (standard)	1H749	A25	4	4			1H849 1H1087 1H1118 1H1142	Com. (E) GB5682 Com. (E) GB27909 Com. (E) GB38484 Com. (E) GB40825		Prior to (E) GB40825 1H1142 is interchangeable in sets only. Rings 1H1144 and 1H1145 must not be fitted
5	Ring—compression (top)	1H751	A26	4	4			1H851 1H1088 1H1144 1H1145 1H1146 1H1113	Com. (E) GB5682 Com. (E) GB27909 Com. (E) GB40825 Com. (E) GB38484		
6	Ring—compression (taper)	1H752	A27	8	8	8					
7	Ring—scraper	1H711	A28	4	4						
8	Pin—gudgeon	1H577	A29	4	4						



A2274

**SERVICE PARTS LIST**

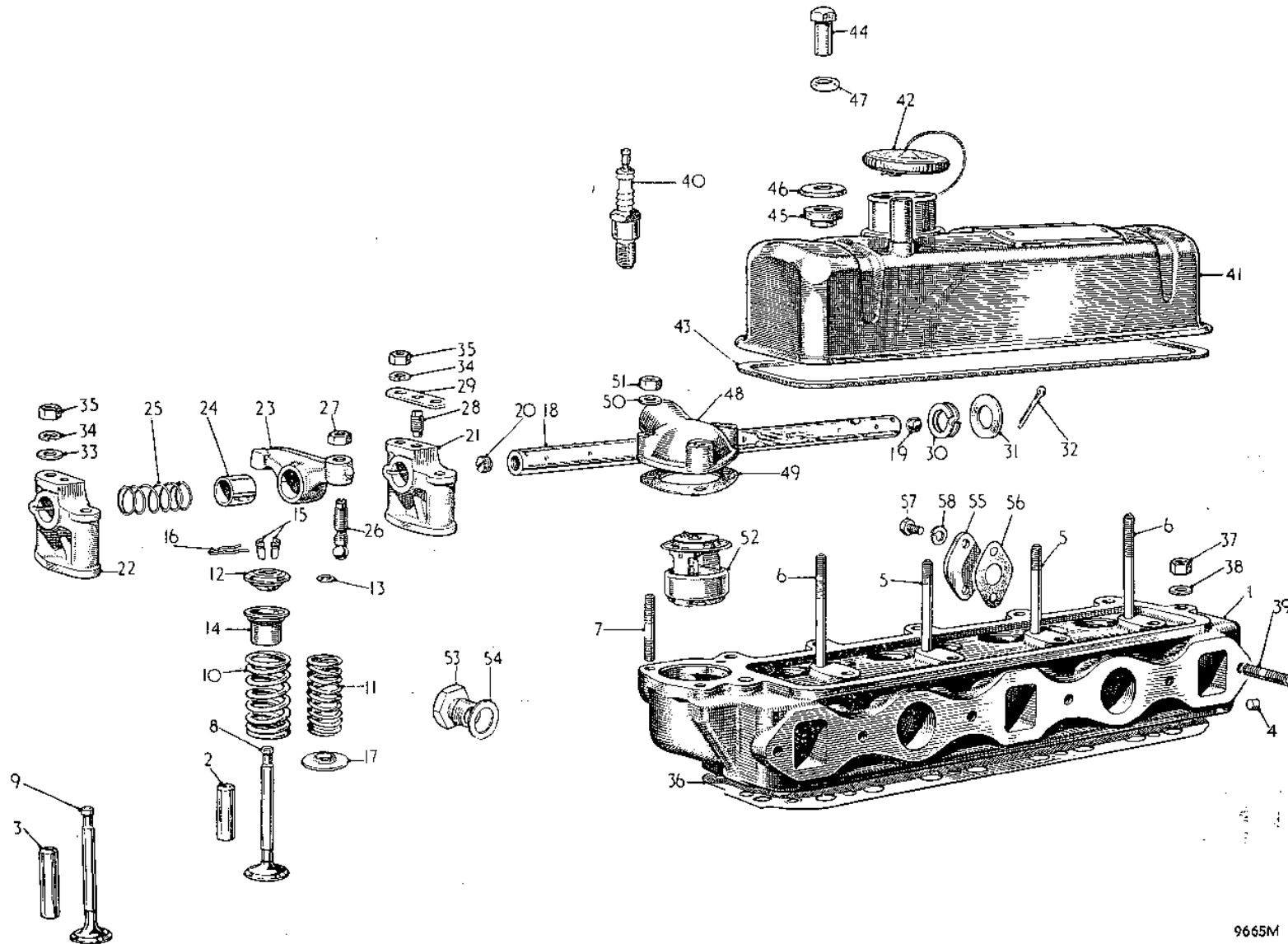
**THE M.G. Series MGA 1500**

Item No.	DESCRIPTION	Commencing (E) GB101		Qty. per Vehicle		Unit of Issue	Type of Vehicle	MODIFICATIONS			REMARKS
		Part Number	Illus. No.	RHD	LHD			New Part Number	Change Point	Amdt. No.	
<b>CONNECTING RODS—BEARINGS</b>											
1	Connecting rod and cap for Nos. 1 and 3 cylinders	1G2370	AA1	2	2			1H703	] Com. (E) GB8570		] Prior to (E) GB8570 supply in sets only
2	Connecting rod and cap for Nos. 2 and 4 cylinders	1G2367	AA2	2	2			1H701			
3	Screw for cap	51K1888	AA3	8	8						
4	Washer for screw (lock)	6K881	AA4	4	4						
5	Screw—gudgeon pin clamp	51K1882	AA5	4	4	12					
6	Washer for clamping screw (spring)	2K5819	AA6	4	4						
7	Bearing for connecting rod (standard)	8G2137	AA7	1 set	1 set	1		8G2285	Com. (E) GD6530		
<b>CRANKSHAFT—GEAR</b>											
8	Crankshaft with oil restrictor and bush	1H753	AA8	1	1						
9	Restrictor—oil	1G1167	AA9	4	4	12					
10	Bush for 1st motion shaft	1G765	AA10	1	1	12					
11	Gear—crankshaft	1A2028	AA11	1	1						
12	Key—crankshaft gear and pulley	2H326	AA12	2	2	12					
13	Washer for crankshaft gear (packing)	2K6683	AA13	A/R	A/R						
14	Oil thrower—crankshaft (front)	1A1546	AA14	1	1						
15	Pulley—crankshaft	1H681	AA15	1	1						
16	Nut—starting dog	1H765	AA16	1	1						
17	Washer for starting nut (lock)	1G1819	AA17	1	1						
<b>CAMSHAFT—GEAR</b>											
18	Camshaft	1H729	AA18	1	1						] Alternatives
19	Camshaft	1H1435		1	1						
20	Plate—camshaft locating	1A2082	AA19	1	1				] Fin. (E) GB258		] Alternatives
21	Plate—camshaft locating	1G1861		1	1			11G186		Com. (E) GB259	
22	Screw—locating plate to crankcase	HNS0406	AA20	3	3						
23	Joint—camshaft locating plate	11G99	AA21	1	1						
24	Washer for screw (shakeproof)	LWN604	AA22	3	3						
25	Gear—camshaft	1G2340	AA23	1	1			11G203	Com. (E) GB259		
26	Key for gear	WKN505	AA24	1	1						
27	Tensioner ring for gear	8C549	AA25	1	1	12					
28	Nut for camshaft gear	6K629	AA26	1	1						
29	Washer for nut (lock)	2A759	AA27	1	1						
30	Chain—timing	2H4905	AA28	1	1						
31	Tensioner—chain (with Allen key)		AA29	1	1			17H343			
32	Backplate for tensioner		AA30	1	1			AJC5033			
33	Joint for tensioner		AA31	1	1	12		AEC839	] Com. (E) GB259		
34	Screw for tensioner		AA32	2	2			HBN0412			
35	Washer for screw (lock)		AA33	1	1			AEC340			

**SERVICE PARTS LIST**

**THE M.G. Series MGA 1500**

Item No.	DESCRIPTION	Commencing (E) GB101		Qty. per Vehicle		Unit of Issue	Type of Vehicle	MODIFICATIONS			REMARKS
		Part Number	Illus. No.	RHD	LHD			New Part Number	Change Point	Amdt. No.	
	<b>FLYWHEEL</b>										
1	Flywheel with starter ring and dowels	1H651	AA34	1	1						
2	Ring—starter gear	1G2874	AA35	1	1						
3	Dowel—clutch to flywheel	1G2984	AA36	2	2						
4	Bolt—flywheel to crankshaft	51K1022	AA37	6	6						
5	Washer for bolt (lock)	6K26	AA38	3	3						
6	Nut for flywheel bolt	FNZ506	AA39	6	6						
	<b>TAPPETS AND PUSH-RODS</b>										
7	Tappet—valve	1H744	AA40	8	8			1H822	] Com. (E) GB5504		
8	Push-rod	1G2380	AA41	8	8			11G241			
	<b>TACHOMETER DRIVE</b>										
9	Gear for tachometer drive	1H730	AA42	1	1						
10	Key for gear	WKN304	AA43	1	1						
11	Spring ring for gear	1H605	AA44	1	1						
12	Pinion for tachometer drive	1H721	AA45	1	1						
13	Oil seal for pinion	1G2398	AA46	1	1						
14	Retaining ring	1G2399	AA47	1	1						
15	Housing for pinion	1H591	AA48	1	1						
16	Joint washer for housing	1G2401	AA49	1	1						
17	Stud for tachometer pinion housing	52K2171	AA50	2	2						
18	Washer for housing stud	PWZ105	AA51	2	2						
19	Nut for housing stud	FNZ105	AA52	2	2						
	<b>DISTRIBUTOR DRIVE SPINDLE</b>										
20	Spindle—distributor drive	2A139	AA53	1	1						] Alternatives
21	Spindle—distributor drive	2A847		1	1						
	<b>DISTRIBUTOR MOUNTING</b>										
22	Housing for distributor	1G2285	AA54	1	1						
23	Screw—housing to crankcase	52K1206	AA55	1	1						



9665M

**SERVICE PARTS LIST**

**THE M.G. Series MGA 1500**

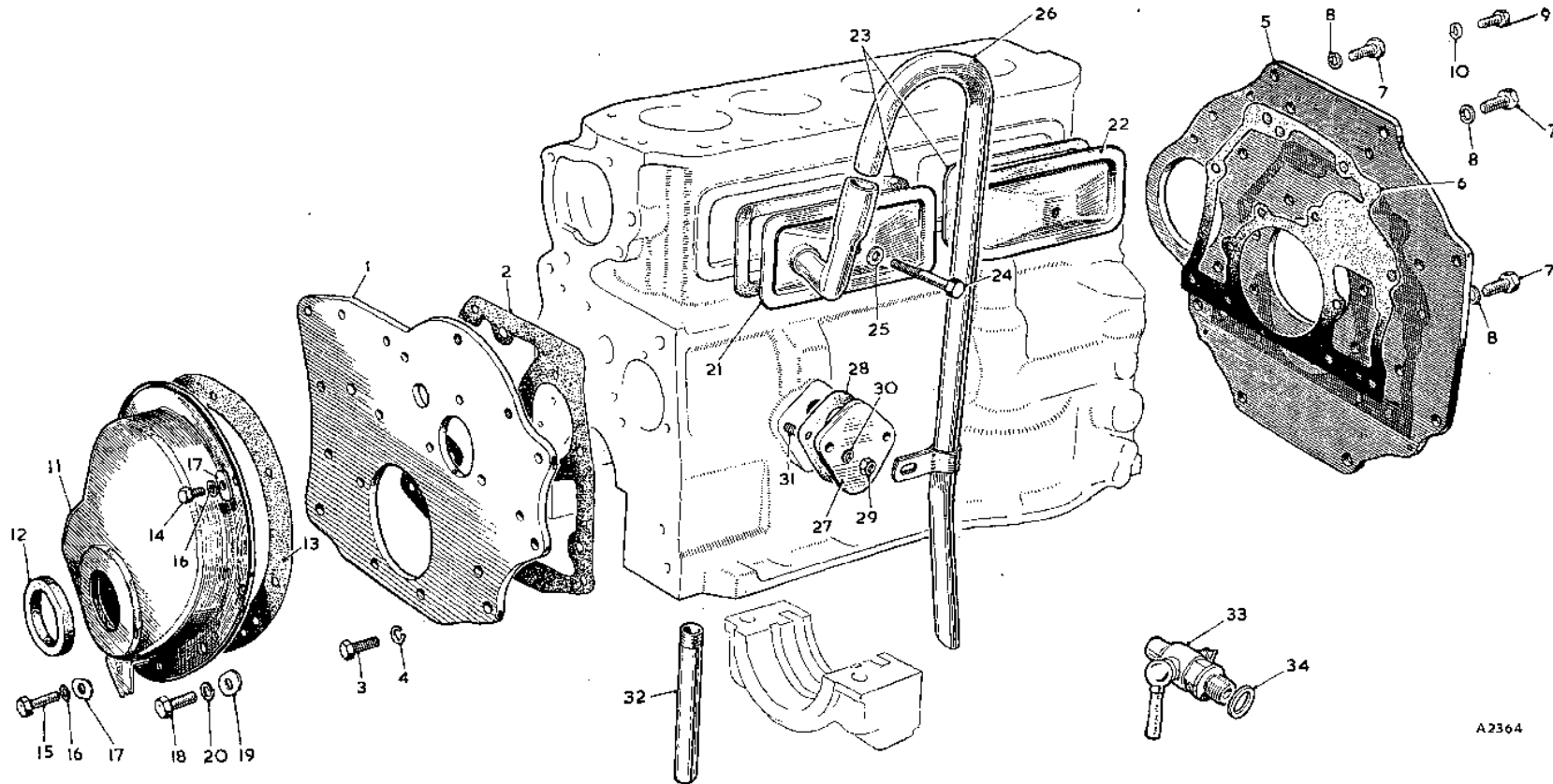
Item No.	DESCRIPTION	Commencing (E) GB101		Qty. per Vehicle		Unit of Issue	Type of Vehicle	MODIFICATIONS			REMARKS
		Part Number	Illus. No.	RHD	LHD			New Part Number	Change Point	Amdt. No.	
	<b>CYLINDER HEAD—VALVES—GUIDES— SPRINGS—ROCKERS</b>										
1	Cylinder head assembly (less rocker gear)	48G31		1	1						
2	Cylinder head assembly (with valve guides)	1H1060	AB1	1	1						
3	Guide—inlet valve	1G2882	AB2	4	4	12		11G313	Com. (E) GB23175 except 23201 to 23447		
4	Guide—exhaust valve	11G193	AB3	4	4	12					
5	Plug for oil hole	6K872	AB4	1	1						
6	Stud for rocker bracket (short)	51K881	AB5	2	2						
7	Stud for rocker bracket (long)	51K893	AB6	2	2						
8	Stud for water outlet elbow	52K531	AB7	3	3						
9	Valve—inlet	1H1059	AB8	4	4	4					
10	Valve—exhaust	1H686	AB9	4	4	4					
11	Valve—exhaust (hard-faced)	1H1025		4	4	4					Alternative
12	Spring—valve—outer	1H722	AB10	8	8	8					
13	Spring—valve—inner	1H723	AB11	8	8	8					
14	Shroud and oil seal retainer—valve guide	1H725	AB12	8	8			1H1320	Com. (E) GD101		
15	Ring—valve packing	AEK113	AB13	8	8	144					
16	Cup—valve spring	1H724	AB14	8	8	12		1H1319	Com. (E) GD101		
17	Cotter—valve (halves)	1K800	AB15	16	16	20prs.					
18	Circlip for valve cotters	1K372	AB16	8	8	72					
19	Collar for valve spring (bottom)	1H726	AB17	8	8			1H1321	Com. (E) GD101		
20	Shaft assembly—valve rocker	1G2522		1	1						
21	Shaft—valve rocker (plugged)	11G62	AB18	1	1						
22	Plug—valve rocker shaft (plain)	6K878	AB19	1	1						
23	Plug—valve rocker shaft (screwed)	2K4608	AB20	1	1	12					
24	Bracket for rocker shaft (tapped)	11G218	AB21	1	1			1H1419	Com. (E) GB48911		
25	Bracket for rocker shaft (plain)	11G219	AB22	3	3			1H1420			
26	Rocker for valve (bushed)	11G45	AB23	8	8						
27	Bush for valve rocker	1G2295	AB24	1	1	12					
28	Spring—rocker spacing	6K871	AB25	3	3						
29	Screw—tappet adjusting	11G47	AB26	8	8						
30	Locknut—tappet adjusting screw	FNNG605	AB27	8	8			51K1178	Com. (E) GB47901		
31	Screw for rocker shaft (locating)	2A258	AB28	1	1						
32	Plate—screw locking	2A259	AB29	1	1						
33	Washer for rocker shaft (spring)	1A2139	AB30	2	2						
34	Washer for rocker shaft (plain)	2K6804	AB31	2	2						
35	Split pin for rocker shaft	CPS0308	AB32	2	2						



**SERVICE PARTS LIST**

**THE M.G. Series MGA 1500**

Item No.	DESCRIPTION	Commencing (E) GB101		Qty. per Vehicle		Unit of Issue	Type of Vehicle	MODIFICATIONS			REMARKS
		Part Number	Illus. No.	RHD	LHD			New Part Number	Change Point	Amdt. No.	
	<b>Cylinder Head—Valves—Guides—Springs—Rockers—continued</b>										
1	Washer for studs (plain)	PWN105	AB33	3	3	12					
2	Washer for studs (spring)	2K5310	AB34	4	4						
3	Nut for rocker bracket studs	FNN105	AB35	4	4						
4	Joint washer for cylinder head	1H1049	AB36	1	1						
5	Nut for cylinder head studs (in cylinder block)	53K371	AB37	11	11						
6	Washer for nut (plain)	PWN106	AB38	11	11						
7	Stud for exhaust manifold	FLS2518	AB39	2	2						
8	<b>Plug—sparking</b>	<b>3H2006</b>	<b>AB40</b>	<b>4</b>	<b>4</b>						
	<b>VALVE ROCKER COVER—OIL FILLER</b>										
9	<b>Cover—valve rocker (with filler cap)</b>	<b>1H573</b>	<b>AB41</b>	<b>1</b>	<b>1</b>						
10	Cap and cable for oil filler	8G612	AB42	1	1						
11	Joint washer for valve rocker cover	11G300	AB43	1	1	12	12H38	Com. (E) GD101		] Alternatives	
12	Joint washer for valve rocker cover	1H1329		1	1						
13	Nut for rocker cover (cap)	2A150	AB44	2	2						
14	Bush for cover (rubber)	2K8568	AB45	2	2	36					
15	Washer for cap nut (cup)	1A2156	AB46	2	2						
16	Distance piece for rocker cover stud	1B2925	AB47	2	2						
	<b>WATER OUTLET ELBOW—THERMOSTAT</b>										
17	<b>Elbow—water outlet</b>	<b>12H137</b>	<b>AB48</b>	<b>1</b>	<b>1</b>		<b>1H727</b>	] Com. (E) GB7538			
18	Joint washer for elbow	12A109	AB49	1	1	12	1A2149 12A29		Com. (E) GD101		
19	Washer for stud	PWZ105	AB50	3	3						
20	Nut for stud	FNZ105	AB51	3	3						
21	<b>Thermostat</b>	<b>11G133</b>	<b>AB52</b>	<b>1</b>	<b>1</b>		<b>11G291</b>	] Com. (E) GB17538 Fin. (E) GB17537		] Always use 11G291	
22	Joint—thermostat	1G1365		1	1						
23	Plug for thermal transmitter boss	1G2953	AB53	1	1						
24	Washer for plug	1B3664	AB54	1	1						
25	Plate—blanking—cylinder head side	1G1282	AB55	1	1						
26	Joint washer for blanking plate	1G2342	AB56	1	1	12					
27	Screw—blanking plate to cylinder head	HZS0404	AB57	2	2						
28	Washer for screw (spring)	LWN204	AB58	2	2		LWN304	Com. (E) GD101			

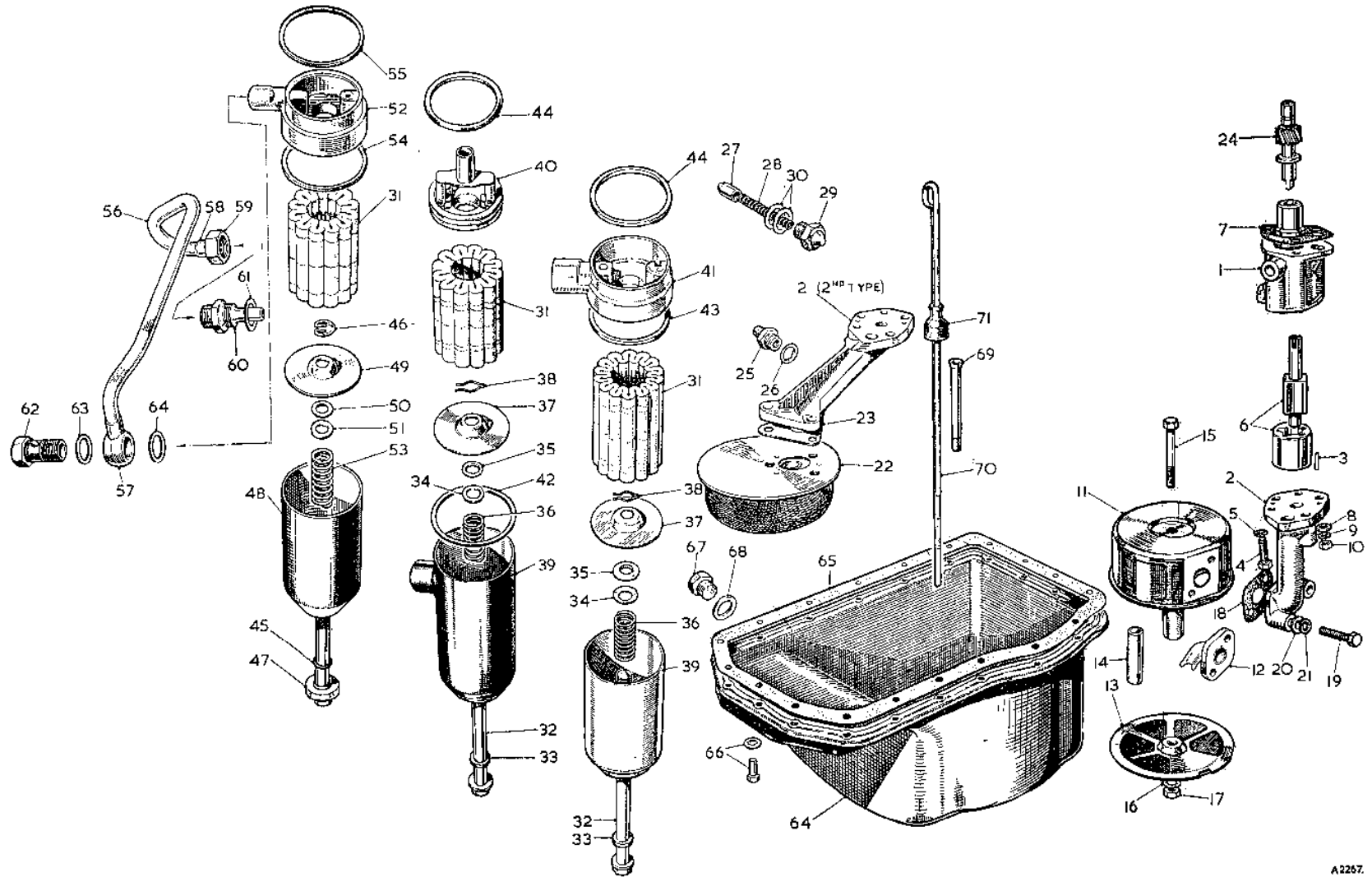


A2364

**SERVICE PARTS LIST**

**THE M.G. Series MGA 1500**

Item No.	DESCRIPTION	Commencing (E) GB101		Qty. per Vehicle		Unit of Issue	Type of Vehicle	MODIFICATIONS			REMARKS
		Part Number	Illus. No.	RHD	LHD			New Part Number	Change Point	Amdt. No.	
<b>ENGINE MOUNTING PLATE</b>											
7	Plate—engine mounting (front)	1G2393	AC1	1	1			11G96	] Com. (E) GB259		
8	Joint—mounting plate to crankcase	1G2394	AC2	1	1	12		11G97			
9	Screw—mounting plate to crankcase	HZS0506	AC3	5/3	5/3						] Quantity reduced at (E) GB259
10	Washer for screw (spring)	2K5319	AC4	5/3	5/3						
<b>Plate—engine mounting (rear)</b>											
11	Joint—rear mounting plate	1H770	AC5	1	1			1H821	Com. (E) GD101		
12	Joint—rear mounting plate	1G2425	AC6	1	1	12					
13	Screw—rear plate to crankcase	HZS0606	AC7	8	8						
14	Lock washer for screw	LWZ306	AC8	8	8						
15	Screw—rear plate to crankcase	HZS0506	AC9	4	4						
16	Lock washer for screw	LWZ305	AC10	4	4						
<b>CYLINDER FRONT AND SIDE COVERS</b>											
<b>Cover—front (with oil catcher and felt)</b>											
17	Ring—crankcase front cover (felt)	2A552	AC11	1	1			11G93	Com. (E) GB259		
18	Joint—front cover to crankcase	2K7140	AC12	1	1						
19	Screw—cover to engine front plate	1A2093	AC13	1	1	12		11G95	Com. (E) GB259		
20	Screw—cover to main bearing cap	HZS0403	AC14	3	3						
21	Washer for screw (spring)	1HZS0406	AC15	2	2						
22	Washer for screw (plain)	LWN204	AC16	5	5						
23	Screw—cover to crankcase	2K5197	AC17	5	5	24					
24	Washer for screw	HZS0506	AC18	4	4						
25	Washer for screw (spring)	2K7440	AC19	4	4						
26	Washer for screw (spring)	LWN205	AC20	4	4						
<b>Cover—cylinder side (with elbow)</b>											
27	Joint for side covers	1H771	AC21	1	1			1H873	Com. (E) GB35809		
28	Screw for side cover	1A2198	AC22	1	1			2A770	Com. (E) GB11935		
29	Washer for screw	1A2203	AC23	2	2	12					
30	Pipe—crankcase vent (with clip)	HBZ0513	AC24	2	2						
31	Distance piece—vent pipe clip to crankcase	2K4058	AC25	2	2	36					
32	Screw—vent pipe to crankcase	1H774	AC26	1	1			1H871	Com. (E) GB35809		
33	Washer for screw spring			1	1			1H840	] Com. (E) GD101		
34	Plate—blanking—petrol pump facing			2	2			HZS0506			
35	Joint for petrol pump blanking plate	1G2443	AC27	1	1			LWZ305	Fin. (E) GB51767		
36	Nut for blanking plate stud	1G2444	AC28	1	1	12					
37	Washer for stud (spring)	FNZ105	AC29	2	2						
38	Stud—L/H-side crankcase blanking plate	LWN105	AC30	2	2						
		53K249	AC31	2	2			53K257	Com. (E) GB707 Fin. (E) GB51767		
<b>DRAIN TAP—DRAIN PIPE</b>											
39	Pipe—drain (in rear bearing cap)	1KJ41	AC32	1	1				Fin. (E) GB40104		
40	Tap—water drain	3H576	AC33	1	1						
41	Washer for drain tap	2K4054	AC34	1	1	36					
42	Washer for drain tap	2K4075		1	1						] Alternatives



A2267.

**SERVICE PARTS LIST**

**THE M.G. Series MGA 1500**

Item No.	DESCRIPTION	Commencing (E) GB101		Qty. per Vehicle		Unit of Issue	Type of Vehicle	MODIFICATIONS			REMARKS
		Part Number	Illus. No.	RHD	LHD			New Part Number	Change Point	Amdt. No.	
1	<b>OIL PUMP—PIPE—FILTER—RELEASE VALVE</b> Pump assembly—oil ..... (R)	<b>11G37</b>		1	1			<b>1H1191</b>	Com. (E) GB46045 to 46100, then 46342 on		
2	Body and plug .....	7H1790	AD1	1	1						
3	Cover .....	7H1791	AD2	1	1			17H1712	Com. (E) GB46045 to 46100, then 46342 on		
4	Dowel .....	7H1793	AD3	2	2						
5	Screw—cover to body .....	HNS0407	AD4	2	2						
6	Screw—cover to body (short) .....			1	1			HNS0408	Fin. (E) GB46044 except 46101 to 46341 Com. (E) GB46045 to 46100, then 46342 on		
7	Screw—cover to body (long) .....			1	1			HNS0414			
8	Washer for screw (spring) .....	LWN204	AD5	2	2						
9	Shaft—driving (with rotors) .....	7H1792	AD6	1	1						
10	Joint washer—oil pump to crankcase .....	11G10	AD7	1	1	12					
11	Washer for stud—oil pump to crankcase (plain) .....	PWN105	AD8	3	3	12					
12	Washer for stud—oil pump to crankcase (spring) .....	2K5319	AD9	3	3						
13	Nut for stud—oil pump to crankcase .....	FNN105	AD10	3	3						
14	<b>Strainer—oil</b> .....	<b>1G2390</b>		1	1						
15	Body—oil strainer .....	1G2391	AD11	1	1				] Alternatives		
16	Body—oil strainer .....	11G143		1	1						
17	Pipe—oil strainer suction .....	1G2385	AD12	1	1						
18	Cover—oil strainer (bottom) .....	1G1989	AD13	1	1						
19	Distance piece for oil strainer .....	1K1982	AD14	1	1						
20	Bolt—oil strainer body to bottom cover .....	51K1366	AD15	1	1						
21	Washer for bolt (shakeproof) .....	LWN603	AD16	1	1						
22	Nut for bolt .....	FNN105	AD17	1	1						
23	Joint washer—oil strainer to pump .....	1G2342	AD18	1	1	12					
24	Screw—strainer to pump .....	HBN0412	AD19	2	2						
25	Washer for screw (plain) .....	PWN104	AD20	2	2						
26	Washer for screw (spring) .....	LWN204	AD21	2	2						
27	<b>Strainer—oil</b> .....	<b>AD22</b>		1	1			<b>1H1192</b>			
28	Cover—oil strainer (top) .....			1	1			N.S.P.			
29	Body—oil strainer .....			1	1			N.S.P.			
30	Plate for body .....			1	1			N.S.P.			
31	Pipe—oil strainer suction .....			1	1			N.S.P.	Com. (E) GB46045 to 46100, then 46342 on		
32	Plate for oil suction pipe .....			1	1			N.S.P.			
33	Bolt—oil strainer to oil pump .....			3	3			HNS0406			
34	Washer for bolt (spring) .....			3	3			LWN304			
35	Joint washer—oil strainer to pump .....		AD23	1	1			1H1198			
36	<b>Spindle—oil pump driving</b> .....	<b>11G12</b>	<b>AD24</b>	1	1						
37	Union—oil pressure gauge pipe .....	11G15	AD25	1	1						
38	Washer for union .....	6K638	AD26	1	1	12					

# SERVICE PARTS LIST

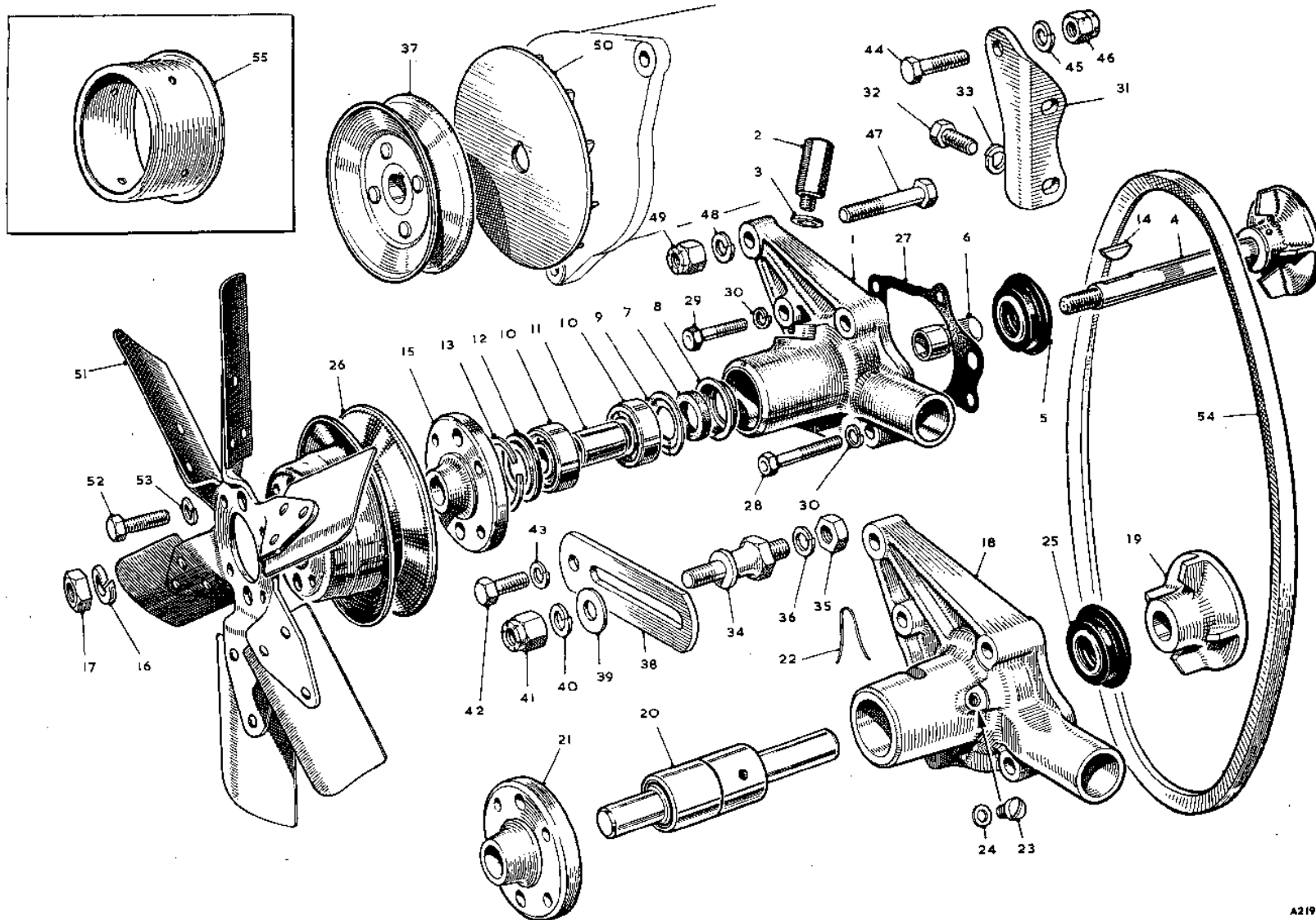
# THE M.G. Series MGA 1500

Item No.	DESCRIPTION	Commencing (E) GB101		Qty. per Vehicle		Unit of Issue	Type of Vehicle	MODIFICATIONS			REMARKS
		Part Number	Illus. No.	RHD	LHD			New Part Number	Change Point	Amdt. No.	
	<b>Oil Pump—Pipe—Filter—Release Valve—continued</b>										
1	Valve—oil release	1G1452	AD27	1	1						
2	Spring for release valve	1H753	AD28	1	1						
3	Nut for spring (cap)	1A2206	AD29	1	1						
4	Washer for cap nut (fibre)	2K4982	AD30	2	2						
5	<b>Filter—oil—full-flow (Tecalomit)</b>	<b>1H778</b>		<b>1</b>	<b>1</b>			<b>1H1067</b>	<b>Com. (E) GB26661 except 26701 to 26933</b>		<b>Alternative to 1H1051</b>
6	<b>Element for filter</b>	<b>8G683</b>	<b>AD31</b>	<b>1</b>	<b>1</b>						
7	Bolt—centre	7H1985	AD32	1	1						
8	Washer—sealing	7H1948	AD33	1	1						
9	Washer (steel)	7H1969	AD34	1	1						
10	Washer (felt)	7H1968	AD35	1	1						
11	Spring	7H1764	AD36	1	1						
12	Plate—pressure	17H846	AD37	1	1						
13	Circlip	7H1952	AD38	1	1						
14	Container	7H1964	AD39	1	1			1H1069	Com. (E) GB26661 except 26701 to 26933		
15	Valve assembly	7H1963	AD40	1	1						
16	Head assembly		AD41	1	1			1H1068	Com. (E) GB26660 except 26701 to 26933		
17	Packing—hydraulic	17H847	AD42	1	1						
18	Joint ring—container to head		AD43	1	1	12		8G619	Com. (E) GB26661 except 26701 to 26933		
19	Joint ring—filter to crankcase	8G619	AD44	1	1	12					
20	<b>Filter—oil—full-flow (Purolator)</b>			<b>1</b>	<b>1</b>			<b>1H1051</b>	<b>Com. (E) GB26661 except 26701 to 26933</b>		<b>Alternative to 1H1067</b>
21	<b>Element for filter</b>		<b>AD31</b>	<b>1</b>	<b>1</b>			<b>8G683</b>			
22	Ring—sealing		AD45	1	1			17H1556			
23	Circlip		AD46	1	1			17H1557			
24	Bolt—centre		AD47	1	1			17H1558			
25	Collar for centre-bolt			1	1			17H1559			
26	Body assembly		AD48	1	1			1H1053	Com. (E) GB26661 except 26701 to 26933		
27	Plate—pressure		AD49	1	1			17H1446			
28	Seal		AD50	1	1			17H1447			
29	Washer		AD51	1	1			17H1448			
30	Head assembly		AD52	1	1			1H1052			
31	Spring		AD53	1	1			17H1449			
32	Joint ring—body to filter head		AD54	1	1	12		8G619			
33	Joint ring—filter head to crankcase		AD55	1	1	12		8G619			

**SERVICE PARTS LIST**

**THE M.G. Series MGA 1500**

Item No.	DESCRIPTION	Commencing (E) GB101		Qty. per Vehicle		Unit of Issue	Type of Vehicle	MODIFICATIONS			REMARKS
		Part Number	Illus. No.	RHD	LHD			New Part Number	Change Point	Amdt. No.	
1	<b>Oil Pump—Pipe—Filter—Release Valve—continued</b> <b>Pipe assembly—oil—filter to crankcase</b>	<b>1H1005</b>	<b>AD56</b>	<b>1</b>	<b>1</b>			<b>1H1056</b>	<b>Com. (E) GB26661</b> <b>except 26701 to 26933</b>		<b>When supplying 1H1005</b> <b>prior to (E) GB11298</b> <b>supply also 1 off 1H922</b> <b>adaptor</b>
2	Banjo union	1K2141	AD57	1	1						
3	Nipple	2K5163	AD58	1	1						
4	Nut	2K5164	AD59	1	1						
5	Adaptor for oil pipe	1H762	AD60	1	1			1H922	] Com. (E) GB11298		
6	Joint washer for adaptor	6K501	AD61	1	1			1H898			
7	Screw for banjo union	1K2142	AD62	1	1						
8	Washer for screw	6K501	AD63	2	2			1H898	] Com. (E) GB11298 Com. (E) GB45501		
9	Washer for screw (inner)			1	1			6K501			
10	Washer for screw (outer)			1	1			1H898			
	<b>OIL RESERVOIR—DIPPER ROD</b>										
11	<b>Reservoir—oil</b>	<b>1G2508</b>	<b>AD64</b>	<b>1</b>	<b>1</b>						
12	Joint washer—reservoir to crankcase	1G2290	AD65	1	1	12					
13	Screw with captive washer—reservoir to crankcase	6K639	AD66	19	19	12					
14	Plug—drain—oil reservoir	2F4249	AD67	1	1						
15	Washer for plug	6K638	AD68	1	1	12					
16	Tube—oil dipper rod	1B1063	AD69	1	1						
17	<b>Rod—oil dipper</b>	<b>11G64</b>	<b>AD70</b>	<b>1</b>	<b>1</b>						
18	Dust cap for oil dipper rod	1B1735	AD71	1	1						



A2199



**SERVICE PARTS LIST**

**THE M.G. Series MGA 1500**

Item No.	DESCRIPTION	Commencing (E) GB101		Qty. per Vehicle		Unit of Issue	Type of Vehicle	MODIFICATIONS			REMARKS
		Part Number	Illus. No.	RHD	LHD			New Part Number	Change Point	Amdt. No.	
	<b>WATER PUMP—FAN PULLEY—BELT</b>										
1	<b>Pump assembly—water (less pulley and hub)</b>	<b>11G164</b>		1	1						
2	Body—water pump	1G2301	AE1	1	1						
3	Plug—water pump oil filler	11G208	AE2	1	1						
4	Washer for plug	2K4958	AE3	1	1	86					
5	Spindle with vane—water pump	11G165	AE4	1	1						
6	Seal	8G698	AE5	1	1	12					
7	Distance piece—gland	1G2303	AE6	1	1	12					
8	Washer—felt	2K3450	AE7	1	1						
9	Retainer—felt washer (inner)	1A2065	AE8	1	1						
10	Retainer—felt washer (outer)	1A2066	AE9	1	1	12					
11	Bearing—ball	2A457	AE10	2	2						
12	Distance piece for water pump bearing	1A2064	AE11	1	1						
13	Retainer—grease	1G2310	AE12	1	1	6					
14	Ring—spring	1A2068	AE13	1	1						
15	Key for pulley	6K49	AE14	1	1						
16	Hub for pulley	11G204	AE15	1	1						
17	Washer for hub (spring)	2K5896	AE16	1	1						
18	Nut for hub	FNZ207	AE17	1	1	12					
19	<b>Repair kit—water pump</b>	<b>8G2130</b>		1	1						
20	Washer for plug			1	1						
21	Seal			1	1						
22	Washer (felt)			1	1						
23	Retainer—felt washer (inner)			1	1						
24	Retainer—felt washer (outer)			1	1						
25	Ring—spring			1	1						
26	Joint washer—water pump to block			1	1						
27	<b>Pump assembly (reconditioned) (U.K. only) (R)</b>	<b>8G662</b>		1	1						
28	<b>Body with -020" O/S bearing housing (U.K. only)</b>	<b>11G259</b>		1	1						
29	<b>Bearing—ball (-020" O/S) (U.K. only)</b>	<b>11G260</b>		1	1						
30	<b>Pump assembly—water (with hub)</b>			1	1						
31	Body—water pump		AE18	1	1			1H1149			
32	Vane—water pump		AE19	1	1			1H1151			
33	Bearing assembly—water pump		AE20	1	1			1H1152			
34	Hub for pulley		AE21	1	1			1H1153			
35	Wire for bearing (locating)		AE22	1	1			1H1154			
36	Screw for lubricating point		AE23	1	1			2A778			
37	Washer for screw		AE24	1	1	12		53K1433			
38	Seal		AE25	1	1	12		2K4974			
39	Pulley for fan and water pump	11G200	AE26	1	1			8C668			
40	Joint washer—water pump to block	1G2302	AE27	1	1	12					
41	Screw—water pump body to crankcase (long)	HBZ0512	AE28	2	2						
42	Screw—water pump body to crankcase (short)	HZS0509	AE29	2	2						
43	Washer for screw (spring)	2K5319	AE30	4	4						

**SERVICE PARTS LIST**

**THE M.G. Series MGA 1500**

Item No.	DESCRIPTION	Commencing (E) GB101		Qty. per Vehicle		Unit of Issue	Type of Vehicle	MODIFICATIONS			REMARKS
		Part Number	Illus. No.	RHD	LHD			New Part Number	Change Point	Amdt. No.	
<b>DYNAMO MOUNTING</b>											
1	Bracket—dynamo	2A758	AE81	1	1						
2	Screw—bracket to crankcase	HZS0506	AE82	2	2						
3	Washer for screw (spring)	2K5319	AE83	2	2						
4	Pillar—dynamo mounting	2A128	AE84	1	1						
5	Nut for dynamo mounting pillar	FNZ500	AE85	1	1						
6	Washer for nut (spring)	LWN206	AE86	1	1			LWN306 1H998	Com. (E) GD101 Com. (E) GB17061		
7	Pulley for dynamo	2A412	AE87	1	1						
8	Link for dynamo—adjusting	2A497	AE88	1	1						
9	Washer for adjusting link to pillar	2K9932	AE89	1	1						
10	Washer for adjusting link to pillar (spring)	LWN206	AE40	1	1						
11	Nut for adjusting link to pillar	LNZ206	AE41	1	1						
12	Screw for link to dynamo	3H2008	AE42	1	1						
13	Washer for screw	2K5319	AE43	1	1						
14	Bolt for dynamo bracket	HBZ0509	AE44	1	1						
15	Washer for bolt (spring)	2K5319	AE45	1	1						
16	Nut for bolt	LNZ205	AE46	1	1						
17	Bolt for dynamo to water pump	HBZ0513	AE47	1	1						
18	Washer for bolt (spring)	2K5319	AE48	1	1						
19	Nut for bolt	LNZ205	AE49	1	1						
20	Fan for dynamo	1G1783	AE50	1	1						
<b>FAN BLADES—BELT</b>											
21	Fan blade assembly	AEG129	AE51	1	1						
22	Screw—fan to pulley	HZS0406	AE52	4	4						
23	Washer for screw (spring)	LWZ204	AE53	4	4						
24	Belt for fan (wedge-type)	1G2716	AE54	1	1			1H1001	Com. (E) GB17061		
25	Blanking sleeve—thermostat by-pass	11G176	AE55	1	1						

**SERVICE PARTS LIST**

**THE M.G. Series MGA 1500**

Item No.	DESCRIPTION	Commencing (E) GB101		Qty. per Vehicle		Unit of Issue	Type of Vehicle	MODIFICATIONS			REMARKS
		Part Number	Illus. No.	RHD	LHD			New Part Number	Change Point	Amdt. No.	
<b>OVERSIZE AND UNDERSIZE COMPONENTS</b>											
1	Bearing—main—010" U/S	8G208110		1 set	1 set	1		8G217510			
2	Bearing—main—020" U/S	8G208120		1 set	1 set	1		8G217520	Com. (E) GB3511		
3	Bearing—main—030" U/S	8G208130		1 set	1 set	1		8G217530			
4	Bearing—main—040" U/S	8G208140		1 set	1 set	1		8G217540			
5	Bearing—connecting rod—010" U/S	8G213710		1 set	1 set	1		8G228510			
6	Bearing—connecting rod—020" U/S	8G213720		1 set	1 set	1		8G228520	Com. (E) GD6530		
7	Bearing—connecting rod—030" U/S	8G213730		1 set	1 set	1		8G228530			
8	Bearing—connecting rod—040" U/S	8G213740		1 set	1 set	1		8G228540			
9	Piston assembly—010" O/S	1H084910		4	4			1H108710	Com. (E) GB27909		
								1H111810	Com. (E) GB38484		
								1H114210	Com. (E) GB40825		
10	Piston assembly—020" O/S	1H084920		4	4			1H108720	Com. (E) GB27909		
								1H111820	Com. (E) GB38484		
								1H114220	Com. (E) GB40825		
11	Piston assembly—030" O/S	1H084930		4	4			1H108730	Com. (E) GB27909		
								1H111830	Com. (E) GB38484		
								1H114230	Com. (E) GB40825		
12	Piston assembly—040" O/S	1H074940		4	4			1H084940	Com. (E) GB5682		
								1H108740	Com. (E) GB27909		
								1H111840	Com. (E) GB38484		
13	Ring—compression—top—010" O/S	1H075110		4	4			1H114240	Com. (E) GB40825		
								1H085110	Com. (E) GB5682		
								1H108810	Com. (E) GB27909		
14	Ring—compression—top—020" O/S	1H075120		4	4			1H114410	Com. (E) GB40825		
								1H085120	Com. (E) GB5682		
								1H108820	Com. (E) GB27909		
15	Ring—compression—top—030" O/S	1H075130		4	4			1H114420	Com. (E) GB40825		
								1H085130	Com. (E) GB5682		
								1H108830	Com. (E) GB27909		
16	Ring—compression—top—040" O/S	1H075140		4	4			1H114430	Com. (E) GB40825		
								1H085140	Com. (E) GB5682		
								1H108840	Com. (E) GB27909		
17	Ring—compression—taper—010" O/S	1H075210		8	8	8		1H114440			
18	Ring—compression—taper—020" O/S	1H075220		8	8	8		1H114510			
19	Ring—compression—taper—030" O/S	1H075230		8	8	8		1H114520			
20	Ring—compression—taper—040" O/S	1H075240		8	8	8		1H114530			
21	Ring—scraper—010" O/S	1H071110		4	4			1H114540	Com. (E) GB40825		
22	Ring—scraper—020" O/S	1H071120		4	4			1H114610			
23	Ring—scraper—030" O/S	1H071130		4	4			1H114620			
24	Ring—scraper—040" O/S	1H071140		4	4			1H114630			
25	Pin—gudgeon—002" O/S	1H057702		4	4			1H114640			
26	Pin—gudgeon—004" O/S	1H057704		4	4			1H11302			
27	Pin—gudgeon—006" O/S	1H057706		4	4			1H11304	Com. (E) GB38484		
28	Guide—inlet valve—010" O/S	11G081310		4	4			1H11306			
29	Guide—exhaust valve—010" O/S	11G019310		4	4						

**SERVICE PARTS LIST**

**THE M.G. Series MGA 1500**

Item No.	DESCRIPTION	Commencing (E) GB101		Qty. per Vehicle		Unit of Issue	Type of Vehicle	MODIFICATIONS			REMARKS
		Part Number	Illus. No.	RHD	LHD			New Part Number	Change Point	Amdt. No.	
	<b>ENGINE SERVICE KITS</b>										
1	<b>Joint washer kit for engine decarbonizing</b>	<b>48G139</b>		<b>1 kit</b>	<b>1 kit</b>	<b>1</b>					
2	Joint washer for cylinder head										
3	Joint washer for inlet and exhaust manifold										
4	Joint washer for thermostat										
5	Joint washer for water outlet elbow										
6	Joint washer for valve rocker cover										
7	Joint washer for heater outlet elbow cover										
8	Packing ring for valves										
9	Joint washer for air cleaner to carburetter										
10	Joint washer for carburetters										
11	<b>Supplementary joint washer kit</b>	<b>48G122</b>		<b>1 kit</b>	<b>1 kit</b>	<b>1</b>					
12	Joint strip for main bearing caps										
13	Joint washer for cylinder side cover										
14	Joint washer for mechanical petrol pump										
15	Joint washer for oil strainer to oil pump										
16	Joint washer for oil pump										
17	Joint washer for oil reservoir										
18	Joint washer for water pump										
19	Washer for oil reservoir plug										
20	Joint washer for engine rear plate										
21	Joint washer for engine front cover										
22	Joint washer for engine front plate										
23	Joint washer for crankcase blanking plate										
24	<b>Supplementary joint washer kit</b>	<b>48G138</b>		<b>1 kit</b>	<b>1 kit</b>	<b>1</b>					
25	Joint strip for main bearing caps										
26	Joint washer for cylinder side cover										
27	Joint washer for mechanical petrol pump										
28	Joint washer for oil strainer to oil pump										
29	Joint washer for oil pump										
30	Joint washer for oil reservoir										
31	Joint washer for water pump										
32	Washer for oil reservoir plug										
33	Joint washer for engine rear plate										
34	Joint washer for engine front cover										
35	Joint washer for engine front plate										
36	Joint washer for chain tensioner										
37	Joint washer for oil filter crankcase										
38	Joint washer for oil pipe adaptor										
39	Joint washer for crankcase blanking plate										
40	<b>Chain tensioner servicing kit</b>	<b>17H341</b>		<b>1 kit</b>	<b>1 kit</b>	<b>1</b>					
41	Spring										
42	Bottom plug										
43	Tab washer										
44	Cylinder										

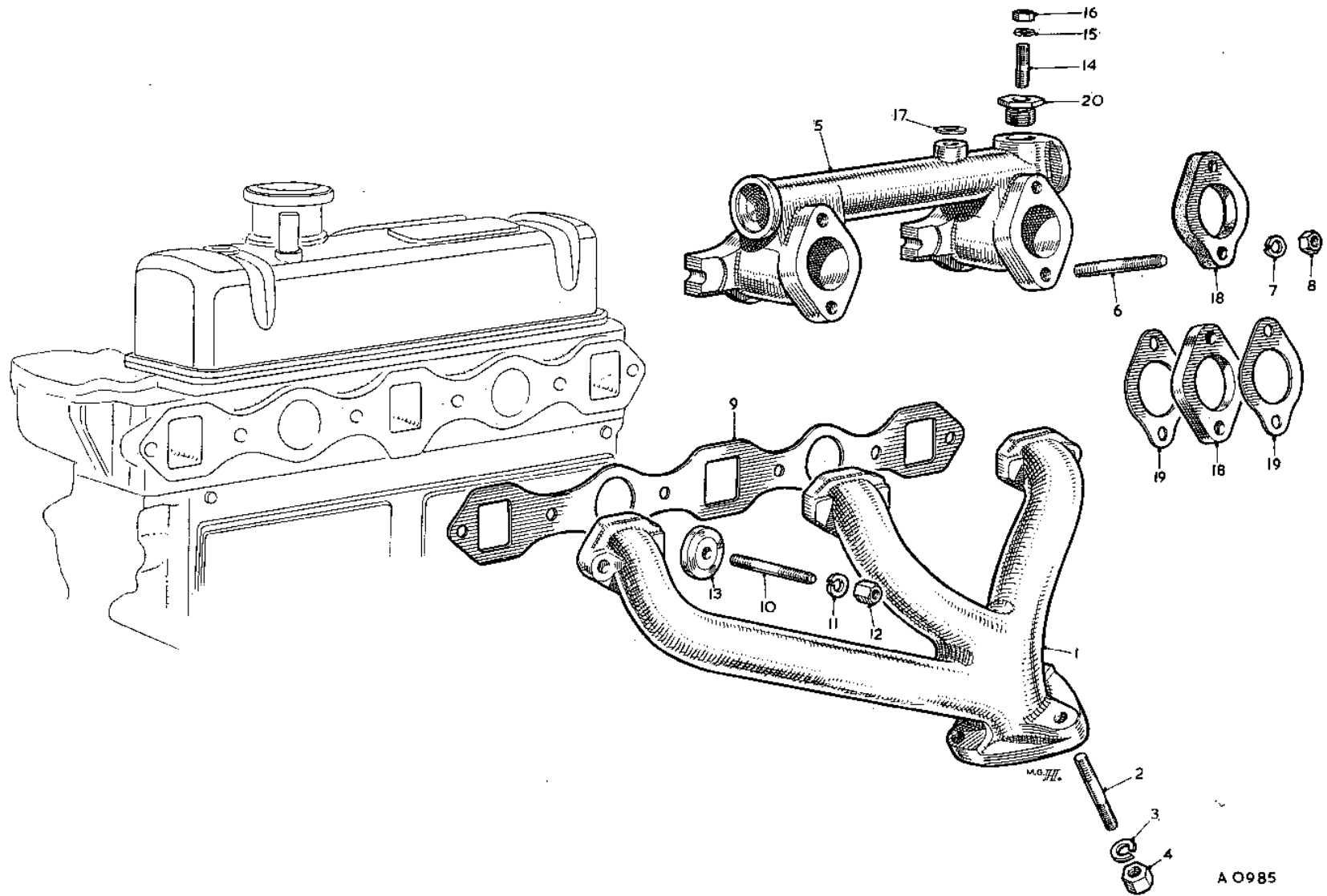
Use supplementary set with 48G139 for complete engine overhaul. For use on engines prior to the introduction of chain tensioner (E) GB259

For engines fitted with chain tensioner from (E) GB259

**SERVICE PARTS LIST**

**THE M.G. Series MGA 1500**

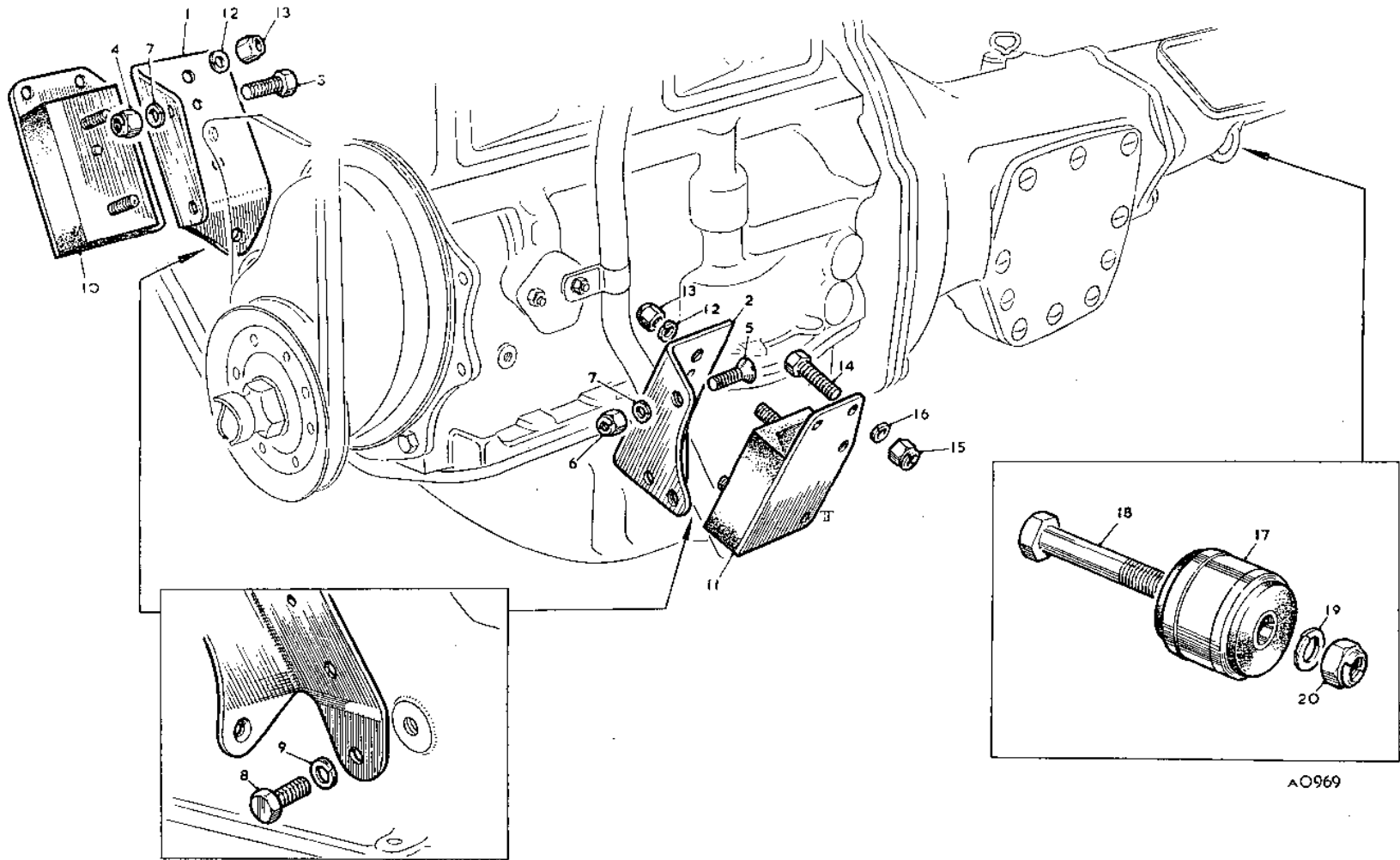
Item No.	DESCRIPTION	Commencing (E) GB101		Qty. per Vehicle		Unit of Issue	Type of Vehicle	MODIFICATIONS			REMARKS
		Part Number	Illus. No.	RHD	LHD			New Part Number	Change Point	Amdt. No.	
	<b>TOURING KIT</b>										
1	Touring kit	8G1057		1 kit	1 kit	1		8G1058 8G1073	Com. (E) GB17061 Com. (E) GD7551		
2	Contact set			1	1						
3	Rotor			1	1						
4	Condenser			1	1						
5	Sparking plugs			1	1						
6	Fuse (85-amp.)			3	3						
7	Inlet valve			1	1						
8	Exhaust valve			1	1						
9	Valve spring (outer)			2	2						
10	Valve spring (inner)			2	2						
11	Valve cotter			2 prs.	2 prs.						
12	Valve cup			2	2						
13	Valve circlip			2	2						
14	Fan belt			1	1						
15	Distributor cap			1	1						
16	Top hose for radiator			1	1						
17	Bottom hose for radiator			1	1						
18	Headlamp bulb			1	1						
19	Sidelamp bulb			1	1						
20	Number-plate bulb			1	1						
21	Tail lamp bulb			1	1						



**SERVICE PARTS LIST**

**THE M.G. Series MGA 1500**

Item No.	DESCRIPTION	Commencing (E) GB101		Qty. per Vehicle		Unit of Issue	Type of Vehicle	MODIFICATIONS			REMARKS
		Part Number	Illus. No.	RHD	LHD			New Part Number	Change Point	Amdt. No.	
	<b>EXHAUST AND INLET MANIFOLD</b>										
1	Manifold—exhaust	48G143	AF1	1	1						
2	Stud for exhaust pipe flange	AEH194	AF2	3	3						
3	Washer for stud	LWZ205	AF3	3	3	24					
4	Nut for stud	AEH195	AF4	3	3						
5	Manifold—induction	AEH174	AF5	1	1						
6	Stud—carburettor to induction manifold	52K2236	AF6	4	4						
7	Washer for stud	PWZ106	AF7	4	4						
8	Nut for stud	FNZ106	AF8	4	4						
9	Joint washer manifolds to cylinder head	1G2417	AF9	1	1	12					
10	Stud—inlet and exhaust manifolds to cylinder head	53K490	AF10	4	4						
11	Washer for stud (spring)	LWZ205	AF11	6	6	24					
12	Nut for stud (stainless steel)	AHH5171	AF12	6	6						
13	Yoke—manifold	1G2418	AF13	4	4	12					
14	Stud—inlet manifold (accelerator abutment bracket)	AHH5209	AF14	2	2						
15	Washer for stud (spring)	LWZ206	AF15	2	2						
16	Nut for stud	FNZ206	AF16	2	2						
17	Washer—packing—for vacuum pipe	PWZ106	AF17	1	1						
18	Washer—carburettor insulating	AEG111	AF18	2	2						
19	Gasket—heat shield	AF19	AF19	4	4			AHH5713 AEH551	Com. (C) 42613		] Required together from (C) 42613
20	Adaptor plug	AF20	AF20	1	1			AEH281	Com. (E) GB23567		



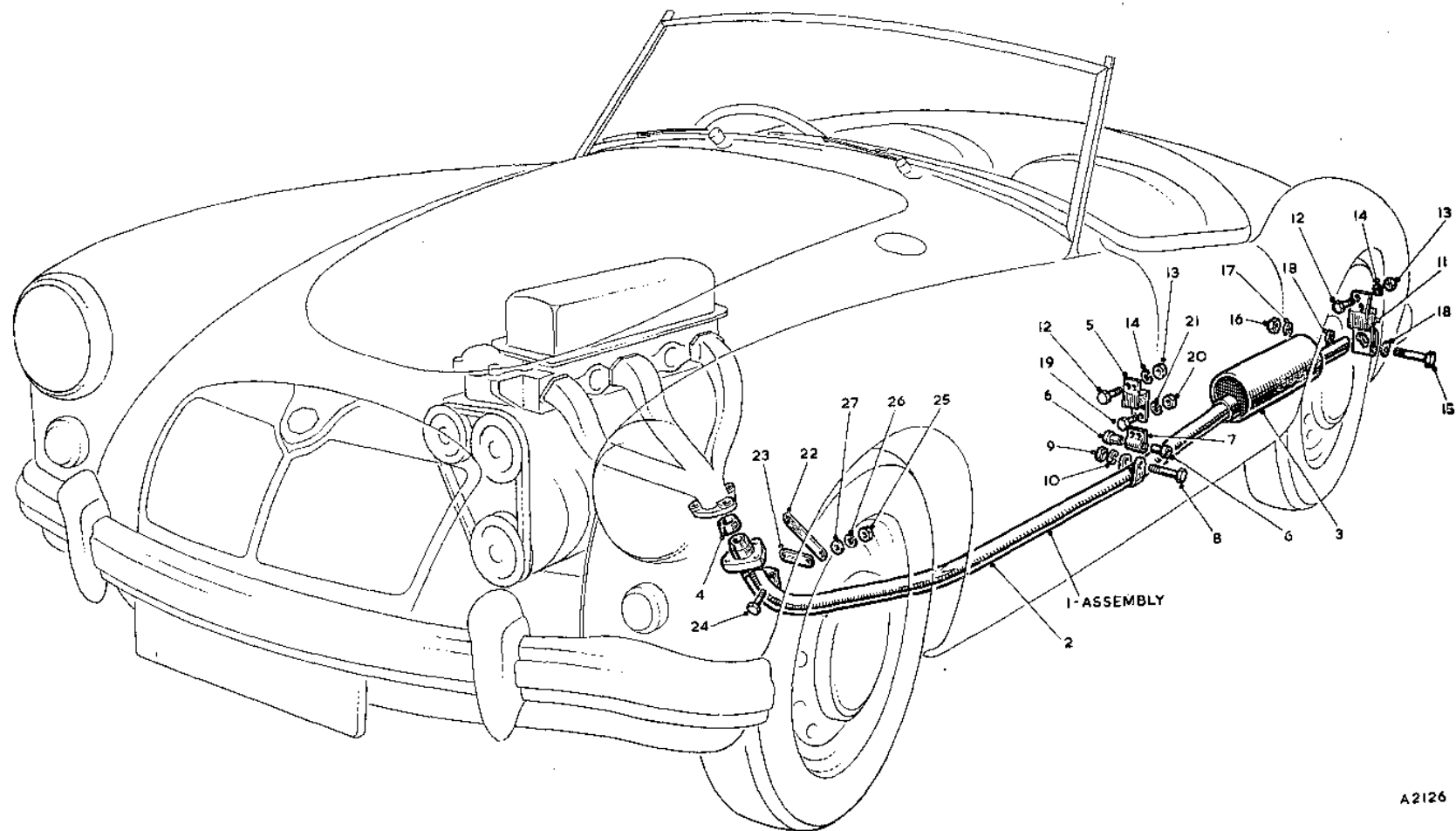
A0969



**SERVICE PARTS LIST**

**THE M.G. Series MGA 1500**

Item No.	DESCRIPTION	Commencing (E) GB101		Qty. per Vehicle		Unit of Issue	Type of Vehicle	MODIFICATIONS			REMARKS
		Part Number	Illus. No.	RHD	LHD			New Part Number	Change Point	Amdt. No.	
<b>ENGINE MOUNTING</b>											
1	Bracket—engine mounting (R/H front)	AHH5085	AG1	1	1						
2	Bracket—engine mounting (L/H front)	AHH5086	AG2	1	1						
3	Screw—bracket to mounting plate—R/H	HZS0507	AG3	2	2						
4	Nut—bracket to mounting plate—R/H	LNZ105	AG4	2	2						
5	Screw—bracket to plate (countersunk)	CMZ0514	AG5	2	2						
6	Nut for countersunk screw	LNZ105	AG6	2	2						
7	Washer for countersunk screw (spring)	LWZ205	AG7	4	4	24					
8	Screw—bracket to block	HZS0608	AG8	2	2						
9	Washer for screw (spring)	LWZ206	AG9	2	2						
10	Rubber—engine mounting (R/H front)	AHH5027	AG10	1	1						
11	Rubber—engine mounting (L/H front)	AHH5028	AG11	1	1						
12	Washer—engine mounting to bracket (spring)	LWZ205	AG12	4	4	24					
13	Nut—engine mounting to bracket	FNZ105	AG13	4	4						
14	Screw—mounting rubber to frame brackets	HZS0506	AG14	8	8						
15	Nut for screw	FNZ105	AG15	8	8						
16	Washer for screw (spring)	LWZ205	AG16	8	8	24					
17	Flexible bush—rear engine mounting	AHH5031	AG17	1	1						
18	Bolt for flexible bush	HBZ0826	AG18	1	1						
19	Washer for bolt	LWZ208	AG19	1	1						
20	Nut for rear mounting bush bolt	LNZ108	AG20	1	1						

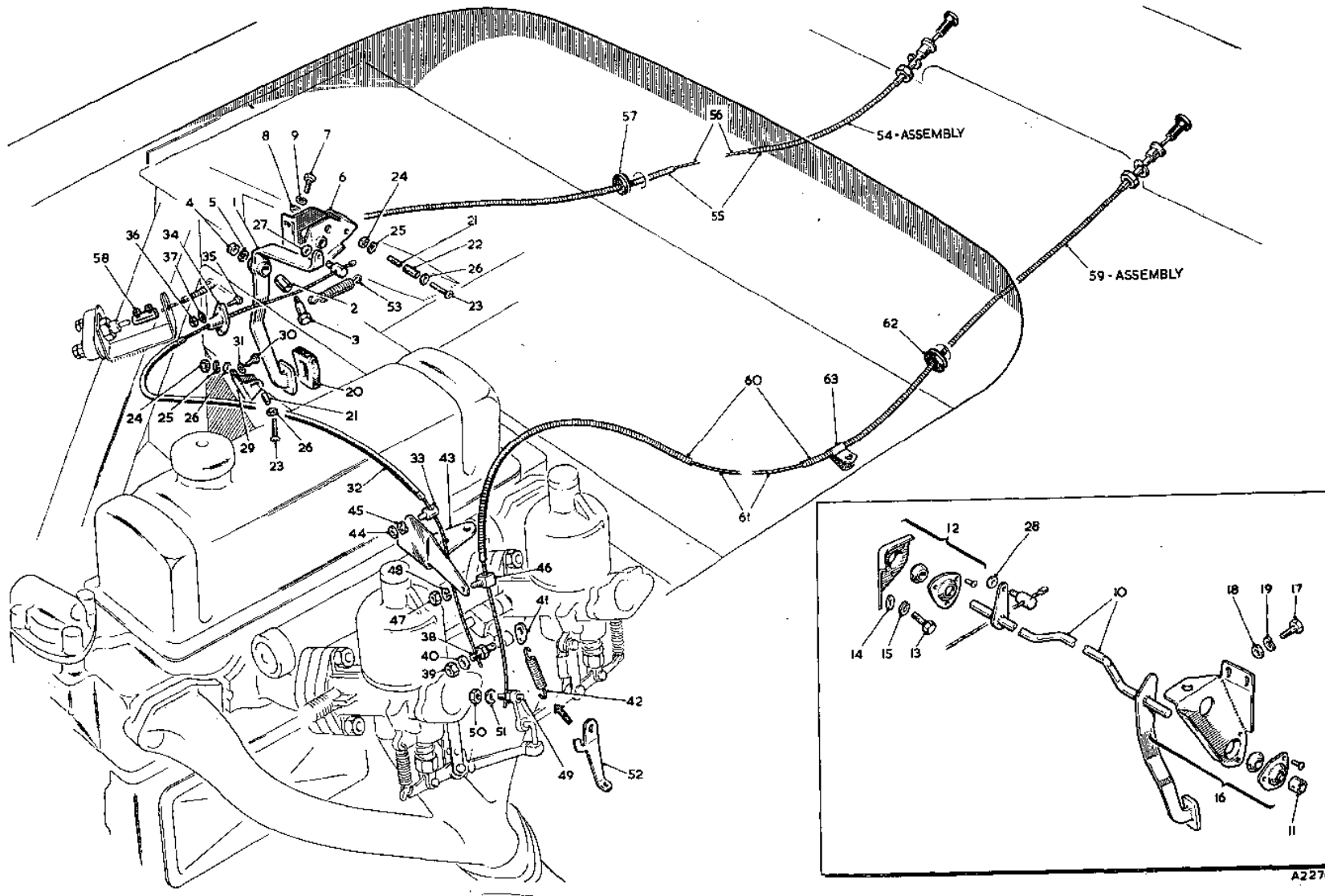


A2126

**SERVICE PARTS LIST**

**THE M.G. Series MGA 1500**

Item No.	DESCRIPTION	Commencing (C) 10101		Qty. per Vehicle		Unit of Issue	Type of Vehicle	MODIFICATIONS			REMARKS
		Part Number	Illus. No.	RHD	LHD			New Part Number	Change Point	Amdt. No.	
	<b>EXHAUST SYSTEM</b>										
1	<b>Exhaust pipe assembly</b>	<b>ARH63</b>	<b>AH1</b>	1	1						
2	Pipe—front	ARH1053	AH2	1	1						
3	Silencer and tail pipe	ARH65	AH3	1	1						
4	Packing—exhaust pipe	AHH5146	AH4	1	1						
5	<b>Mounting—exhaust—intermediate</b>	<b>AHH5402</b>	<b>AH5</b>	1	1						
6	Bush for intermediate exhaust mounting	AHH5403	AH6	2	2						
7	Housing—intermediate exhaust mounting	AHH5404	AH7	1	1						
8	Bolt—bush and housing to pipe	HBZ0522	AH8	1	1						
9	Nut—bush and housing bolt	FNZ105	AH9	1	1						
10	Washer for bolt (spring)	LWZ205	AH10	1	1	24					
11	<b>Mounting—exhaust—rear</b>	<b>AHH5405</b>	<b>AH11</b>	1	1						
12	Screw—mountings to frame	HZS0404	AH12	4	4						
13	Nut for screw	FNZ104	AH13	4	4						
14	Washer for screw (spring)	LWZ204	AH14	4	4						
15	Bolt—rear mounting and tail pipe	HBZ0422	AH15	1	1						
16	Nut for rear mounting bolt	FNZ104	AH16	1	1						
17	Washer for bolt (spring)	LWZ204	AH17	1	1						
18	Washer for bolt (plain)	PWZ104	AH18	2	2	12					
19	Screw—housing to intermediate mounting	HZS0404	AH19	2	2						
20	Nut for housing screw	FNZ104	AH20	2	2						
21	Washer for screw (spring)	LWZ204	AH21	2	2						
22	Strap—upper front mounting	AHH5406	AH22	1	1						
23	Strap—lower front mounting	AHH5407	AH23	1	1						
24	Screw—strap to front pipe	HZS0505	AH24	1	1						
25	Nut for strap screw	FNZ105	AH25	1	1						
26	Washer for strap screw (spring)	LWZ205	AH26	1	1	24					
27	Washer for strap screw (plain)	PWZ105	AH27	1	1						



SERVICE PARTS LIST

THE M.G. Series MGA 1500

Item No.	DESCRIPTION	Commencing (C) 10101		Qty. per Vehicle		Unit of Issue	Type of Vehicle	MODIFICATIONS			REMARKS
		Part Number	Illus. No.	RHD	LHD			New Part Number	Change Point	Amdt. No.	
<b>ENGINE CONTROLS</b>											
<b>ACCELERATOR CONTROL</b>											
	<b>Pedal assembly—accelerator</b>	<b>AHH5300</b>	<b>AJ1</b>	1							
1	Bush	AHH5301	AJ2	1							
2	Fulcrum pin—accelerator pedal	AHH5306	AJ3	1							
3	Nut for fulcrum pin	FNZ105	AJ4	1							
4	Washer for fulcrum pin (spring)	LWZ205	AJ5	1	24						
5	Bracket—accelerator pedal mounting	AHH5302	AJ6	1							
6	Screw—bracket to goal-post inner upright	HPZ0405	AJ7	4							
7	Washer for pedal bracket (plain)	PWZ104	AJ8	4							
8	Washer for pedal bracket (spring)	LWZ204	AJ9	4	12						
9	<b>Pedal and cross-shaft assembly—accelerator</b>	<b>AHH5311</b>	<b>AJ10</b>	1							
10	Locating collar—accelerator shaft	AHH5314	AJ11	1							
11	Bracket assembly—R/H—accelerator pedal shaft	AHH5320	AJ12	1							
12	Screw—bracket to goal-post—R/H	HPZ0405	AJ13	2							
13	Washer (plain) for screw	PWZ104	AJ14	2	12						
14	Washer (spring) for screw	LWZ204	AJ15	2							
15	Bracket assembly—L/H—accelerator pedal shaft	AHH5321	AJ16	1							
16	Screw—bracket to goal-post—L/H	HZS0405	AJ17	3							
17	Washer for screw (plain)	PWZ104	AJ18	3	12						
18	Washer for screw (spring)	LWZ204	AJ19	3							
19	Pad—pedal (rubber)	ACA5321	AJ20	1	12						
20	Tube—distance	AHH5308	AJ21	2							
21	Stop—accelerator pedal	AHH5304	AJ22	1							
22	Screw—distance tube/adjustable stop	PMZ0422	AJ23	2							
23	Nut for screw	FNZ104	AJ24	2							
24	Washer for nut (spring)	LWZ204	AJ25	2							
25	Washer for nut (plain)	PWZ104	AJ26	3	12						
26	Washer for cable to pedal (plain)	AJD7042	AJ27	2							
27	Washer for cable to shaft assembly (plain)	AJD7042	AJ28	1							
28	Adjustable stop—accelerator pedal	AHH5330	AJ29	1							
29	Screw for adjustable stop	HPZ0405	AJ30	2							
30	Washer for screw (spring)	LWZ204	AJ31	2							
31	<b>Cable—accelerator</b>	<b>AHH5625</b>	<b>AJ32</b>	1							
32	Pin—cable anchor	AHH5626	AJ33	1							
33	Guide—cable	AHH5308	AJ34	1							
34	Screw for guide to toeboard plate	PMZ0308	AJ35	2							
35	Nut for guide screw	FNZ103	AJ36	2							
36	Washer for guide screw (spring)	LWZ203	AJ37	2							
37	Clamp—accelerator cable	AHH5309	AJ38	1							
38	Nut for cable to clamp	FNZ104	AJ39	1							
39	Washer for cable to clamp (plain)	PWZ104	AJ40	1	12						
40	Bracket—accelerator return spring	84180	AJ41	1							



**SERVICE PARTS LIST**

**THE M.G. Series MGA 1500**

Item No.	DESCRIPTION	Commencing (C) 10101		Qty. per Vehicle		Unit of Issue	Type of Vehicle	MODIFICATIONS			REMARKS
		Part Number	Illus. No.	RHD	LHD			New Part Number	Change Point	Amdt. No.	
	<b>STARTER CONTROL</b>										
1	Starter cable assembly	AHH5327	AJ54	1							
2	Cable—outer	AHH5328	AJ55	1							
3	Cable—inner	AHH5329	AJ56	1							
4	Grommet—starter control (in dash)	RFR103	AJ57	1	1						
5	Starter cable assembly	AHH5330			1						
6	Cable—outer	AHH5331			1						
7	Cable—inner	AHH5332			1						
8	Connector coupling—starter pull	3H950	AJ58	1	1						
	<b>CHOKE CONTROL</b>										
9	Choke control assembly	AHH5333	AJ59	1							
10	Cable—outer	AHH5334	AJ60	1							
11	Cable—inner	AHH5335	AJ61	1							
12	Grommet—choke control (in dash)	RFR103	AJ62	1	1						
13	Choke control assembly	AHH5336			1						
14	Cable—outer	AHH5337			1						
15	Cable—inner	AHH5338			1						
16	Clip—choke cable—to master cylinder blanking plate	PCR0311	AJ63	1	1						