

A2144

SERVICE PARTS LIST

THE M.G. Series MGA 1500

Item No.	DESCRIPTION	Commencing (C) 10101		Qty. per Vehicle		Unit of Issue	Type of Vehicle	MODIFICATIONS			REMARKS
		Part Number	Illus. No.	RHD	LHD			New Part Number	Change Point	Amdt. No.	
REAR AXLE AND SUSPENSION											
REAR AXLE											
1	Rear axle assembly	N.S.P.		1	1						
2	Case assembly	ATB7224	H1	1	1						Disc wheels only; prior to (C) 10917 supply also 2 off 1G7584 washer Wire wheels only
3	Case assembly	ATB7199		1	1		ATB7225	Com. (C) 11450			
4	Bolts for differential carrier	2A7226	H2	10	10						
5	Locknut (R.H.T.)	1G7448	H3	2/1	2/1						Quantity reduced at (C) 10917 (disc wheels), (C) 11450 (wire wheels)
6	Locknut (L.H.T.)			1	1		1G7582	} Com. (C) 10917 (disc wheels), (C) 11450 (wire wheels)			
7	Washer for locknut (tab)	1G7305	H4	2	2	12	1G7584				
8	Breather assembly	1G8668	H5	1	1						
9	Plug—oil—drain and filler	6K499	H6	2	2						
10	Nuts for differential carrier bolts	FNZ105	H7	10	10						
11	Joint for carrier to case	1G7465	H8	1	1	12					
12	Washers for differential carrier bolts (spring)	LWZ205	H9	10	10	24					
13	Carrier and differential assembly	ATB7189		1	1						
14	Carrier	ATB7181	H10	1	1						
15	Stud	51K886	H11	4	4						
16	Nut	FNZ107	H12	4	4						
17	Washer (plain)	ATC7084	H13	4	4						
18	Washer (spring)	LWN107	H14	4	4						
19	Cage—differential	ATE7062	H15	1	1						
20	Wheel—differential	ATB7122	H16	2	2						
21	Pinion—differential	ATB7123	H17	2	2						
22	Pin for pinion	1G7444	H18	1	1						
23	Peg for pin locating	6K842	H19	1	1						
24	Washer—thrust—for pinion	1G7445	H20	2	2						
25	Washer—thrust—for wheel	ATB7072	H21	2	2						
26	Bearing—differential	2K8938	H22	2	2						
27	Washer—packing—for bearing (.002")	2K7993	H23	A/R	A/R						
28	Washer—packing—for bearing (.003")	ATE7239		A/R	A/R						
29	Washer—packing—for bearing (.004")	2K7435		A/R	A/R						
30	Washer—packing—for bearing (.006")	6K503		A/R	A/R						
31	Crown wheel and bevel pinion—10/43	ATB7156	H24	1	1	pr.					
32	Bolt for crown wheel to cage	ATA7043	H25	8	8						
33	Washer—lock—for crown wheel bolt	6K875	H26	4	4						
34	Bearing for bevel pinion—rear	6K287	H27	1	1						
35	Bearing for bevel pinion—front	2A7213	H28	1	1						
36	Spacer for bearing	1B7240	H29	1	1						
37	Oil seal for bearing—front	ATA7047	H30	1	1	6					
38	Dust cover for oil seal	1G7439	H31	1	1						

SERVICE PARTS LIST

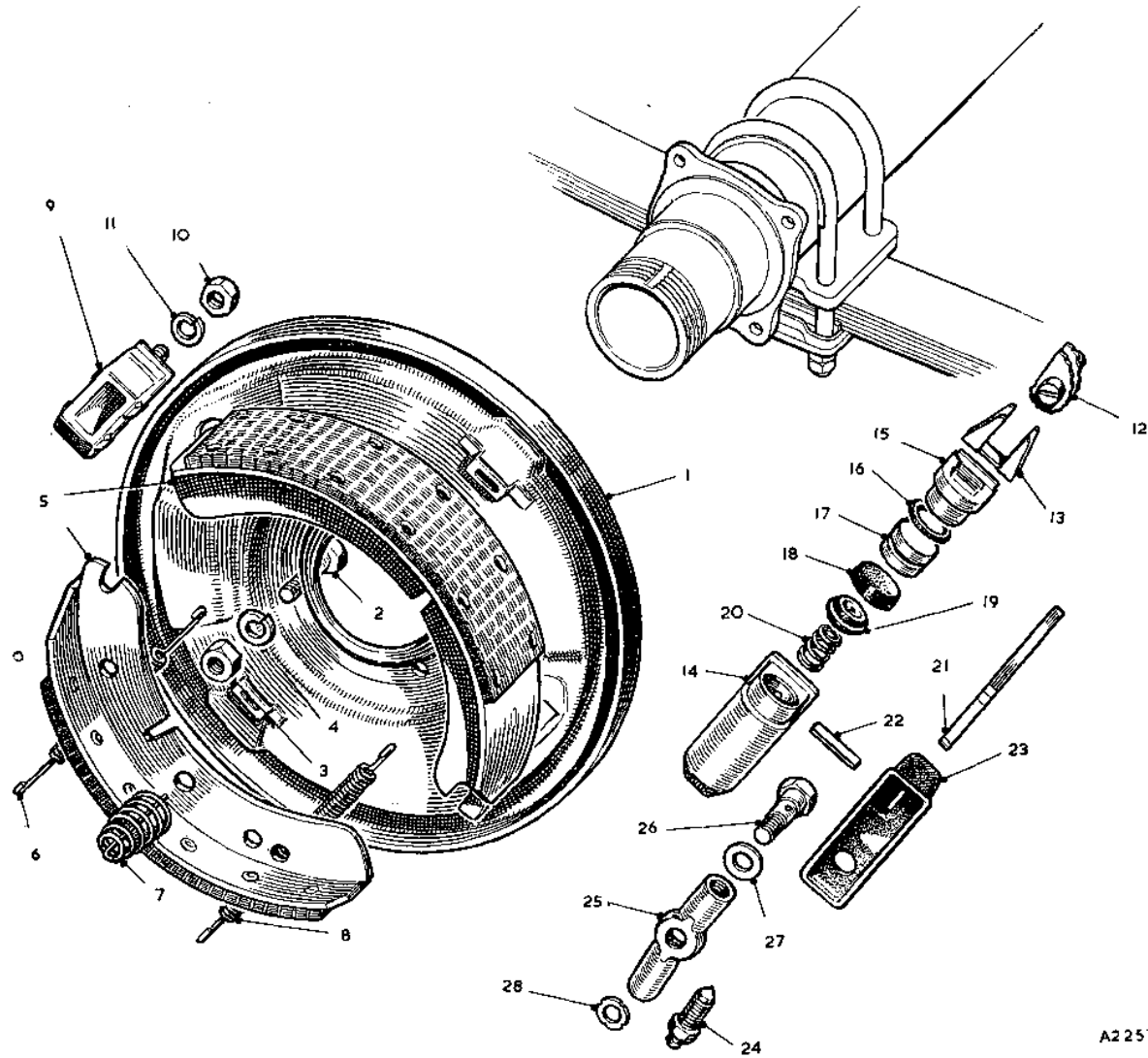
THE M.G. Series MGA 1500

Item No.	DESCRIPTION	Commencing (C) 10101		Qty. per Vehicle		Unit of Issue	Type of Vehicle	MODIFICATIONS			REMARKS
		Part Number	Illus. No.	RHD	LHD			New Part Number	Change Point	Amdt. No.	
	Rear Axle—continued										
1	Washer for bevel pinion (-112")	ATB7071	H92	A/R	A/R						
2	Washer for bevel pinion (-114")	ATB7070		A/R	A/R						
3	Washer for bevel pinion (-116")	ATB7069		A/R	A/R						
4	Washer for bevel pinion (-118")	ATB7068		A/R	A/R						
5	Washer for bevel pinion (-120")	ATB7067		A/R	A/R						
6	Washer for bevel pinion (-122")	ATB7066		A/R	A/R						
7	Washer for bevel pinion (-124")	ATB7065		A/R	A/R						
8	Washer for bevel pinion (-126")	ATB7064		A/R	A/R						
9	Shim for front bevel pinion bearing (-004")	ATB7102	H33	A/R	A/R						
10	Shim for front bevel pinion bearing (-006")	ATB7103		A/R	A/R						
11	Shim for front bevel pinion bearing (-008")	ATB7104		A/R	A/R						
12	Shim for front bevel pinion bearing (-010")	ATB7105		A/R	A/R						
13	Shim for front bevel pinion bearing (-012")	ATB7106		A/R	A/R						
14	Shim for front bevel pinion bearing (-020")	ATB7107		A/R	A/R						
15	Shim for front bevel pinion bearing (-030")	ATB7108		A/R	A/R						
16	Flange for universal joint	ATB7050	H34	1	1						
17	Nut for flange	FNZ612	H35	1	1						
18	Washer for flange nut (spring)	LWZ212	H36	1	1						
19	Shaft—rear axle	ATB7190	H37	2	2						
20	Hub assembly—rear	1G7433	H38	2	2						
21	Seal—oil	ATB7220	H39	2	2	12					Disc wheels only
22	Stud for wheel	1G7435	H40	8	8						
23	Nut for wheel stud	ATB7074	H41	8	8						
24	Joint for shaft to hub housing	ATB7355	H42	2	2	12					
25	Seal—oil—for rear hub	8G555	H43	2	2	12					
26	Bearing for rear hub	2K7477	H44	2	2						
27	Spacer for bearing	1G7436	H45	2	2						Disc wheels only

SERVICE PARTS LIST

THE M.G. Series MGA 1500

Item No.	DESCRIPTION	Commencing (C) 10101		Qty. per Vehicle		Unit of Issue	Type of Vehicle	MODIFICATIONS			REMARKS
		Part Number	Illus. No.	RHD	LHD			New Part Number	Change Point	Amdt. No.	
	Rear Axle—continued										
1	Drum—brake	ATB7075	H46	2	2						
2	Plug for brake-drum (large)	ACH5703	H47	2	2						Disc wheels only
3	Plug for brake-drum (small)	ACH5704		2	2						
4	Screw -hub to axle shaft	CMZ0410	H48	6	6						
5	Plug for brake-drum (large)	140677		A/R	A/R						
6	Plug for brake-drum (small)	AHH3514		A/R	A/R						
7	Screw—extension to hub	CMZ0410	H49	2	2						
8	Shaft—axle	ATB7206	H50	2	2						
9	Extension—rear hub—R/H	ATB7204	H51	1	1						Wire wheels only
10	Extension—rear hub—L/H	ATB7205		1	1						
11	Plug for hub extension (welch)	2K8160	H52	2	2						
12	Hub assembly—rear	ATB7208	H53	2	2						
13	Seal—oil	ATB7229	H54	2	2	12					
14	Bolt—hub to drum	ATB7201	H55	8	8						
15	Nut—drum retaining	FNZ507	H56	8	8						
16	Washer -drum retaining (tab)	ATB7200	H57	4	4						

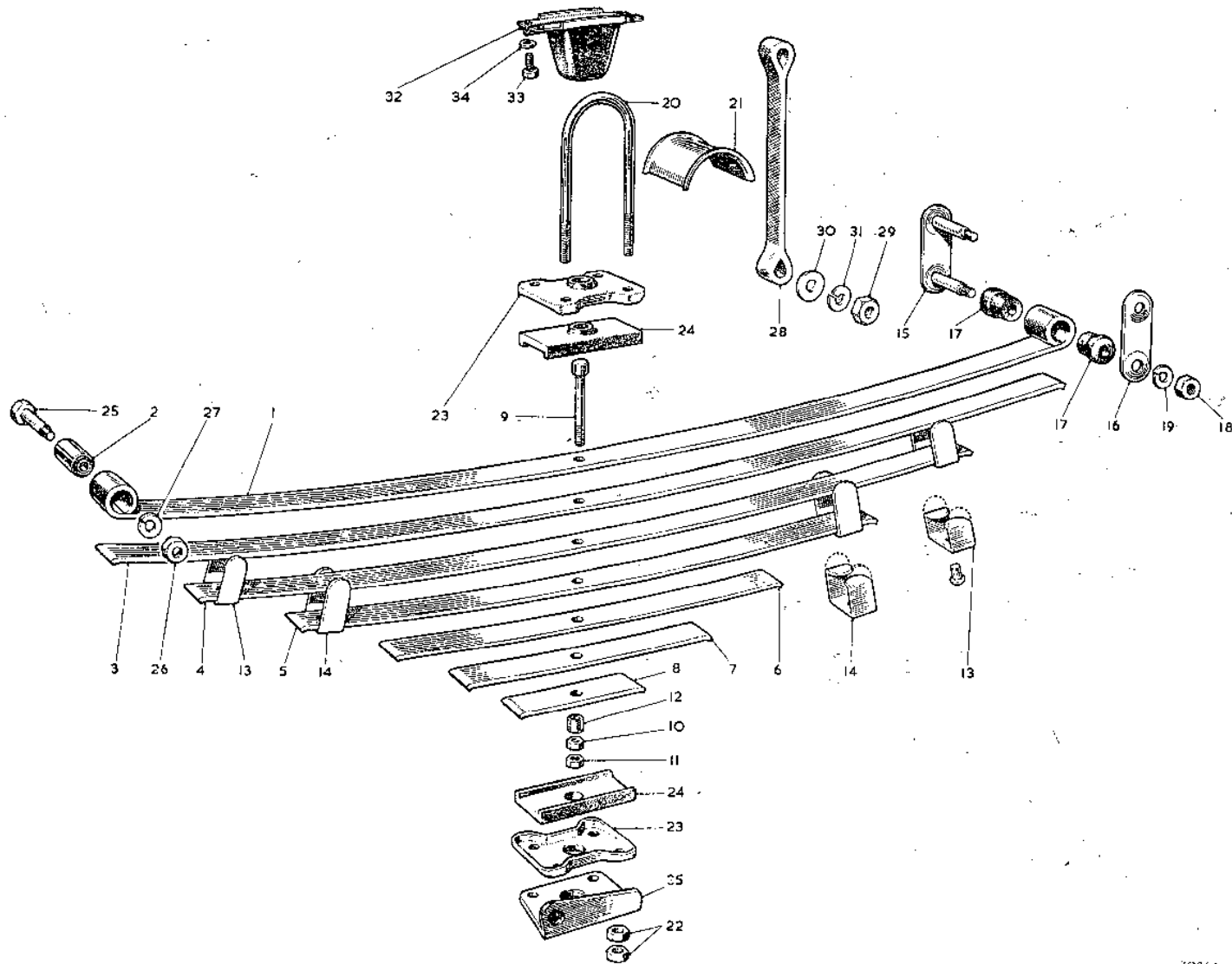


A2 257

SERVICE PARTS LIST

THE M.G. Series MGA 1500

Item No.	DESCRIPTION	Commencing (C) 10101		Qty. per Vehicle		Unit of Issue	Type of Vehicle	MODIFICATIONS			REMARKS
		Part Number	Illus. No.	RHD	LHD			New Part Number	Change Point	Amtd. No.	
	BRAKES										
1	Plate—brake—R/H—rear	ATB7078		1	1						
2	Plate—brake—L/H—rear	ATB7079	HA1	1	1						
3	Bolt—brake-plate to axle case	51K1380	HA2	8	8						
4	Nut for bolt	FNZ106	HA3	8	8						
5	Washer for nut (spring)	LWZ206	HA4	8	8						
6	Shoe assembly—brake	8G8025	HA5	2 sets	2 sets	1					
7	Lining with rivets	AJH5172		1 set	1 set	1					
8	Spring—brake-shoe pull-off	7H7936	HA6	2	2						
9	Spring—brake-shoe steady	301020	HA7	4	4	12					
10	Spring—brake-shoe tension	7H7935	HA8	2	2						
11	Abutment strip for brake-shoe	7H7932	HA9	2	2						
12	Nut for abutment strip	7H7355	HA10	4	4						
13	Washer for nut (spring)	7H7368	HA11	4	4						
14	Adjuster	7H7931	HA12	2	2						
15	Mask—adjuster	7H7930	HA13	2	2						
16	Cylinder assembly—wheel	27H7394		2	2						
17	Body (with abutment strip)	7H7942	HA14	1	1						
18	Piston (with dust cover)	7H7973	HA15	1	1						
19	Seal	17H7707	HA16	1	1						
20	Piston—hydraulic	7H7928	HA17	1	1						
21	Cup—piston	7H7923	HA18	1	1	12					
22	Filler—cup	7H7940	HA19	1	1						
23	Spring—filler cup	7H7939	HA20	1	1						
24	Lever—hand brake	27H7395	HA21	1	1						
25	Pin—lever	17H7203	HA22	1	1						
26	Boot for wheel cylinder	7H7943	HA23	2	2						
27	Screw—bleeder	3H2428	HA24	2	2						
28	Banjo connection	27H7164	HA25	2	2			AHH5634	Com. (C) 27959 (disc wheels), (C) 28540 (wire wheels)		
29	Bolt for banjo connection	7H7847	HA26	2	2						
30	Joint for banjo connection (large)	3H550	HA27	2	2						
31	Joint for banjo connection (small)	3H2287	HA28	2	2						



7086A

SERVICE PARTS LIST

THE M.G. Series MGA 1500

Item No.	DESCRIPTION	Commencing (C) 10101		Qty. per Vehicle		Unit of Issue	Type of Vehicle	MODIFICATIONS			REMARKS
		Part Number	Illus. No.	RHD	LHD			New Part Number	Change Point	Amdt. No.	
	REAR SPRING										
1	Spring assembly—rear	AHH5461		2	2						
2	Leaf—main	AHH5462	HB1	2	2						
3	Bush	AHH5015	HB2	2	2						
4	Leaf—second	AHH5464	HB3	2	2						
5	Leaf—third	N.S.P.	HB4	2	2						
6	Leaf—fourth	N.S.P.	HB5	2	2						
7	Leaf—fifth	N.S.P.	HB6	2	2						
8	Leaf—sixth	N.S.P.	HB7	2	2						
9	Bottom plate	N.S.P.	HB8	2	2						
10	Bolt—locating	AHH5042	HB9	2	2						
11	Nut for locating bolt	FNZ105	HB10	2	2						
12	Locknut for locating bolt	FNZ205	HB11	2	2						
13	Distance piece for locating bolt	ACA5000	HB12	2	2						
14	Clip—third leaf	AHH5467	HB13	4	4						
15	Clip—fourth leaf	AHH5470	HB14	4	4						
16	Shackle plate and pins	AHH5018	HB15	2	2						
17	Shackle plate—inner	AHH5019	HB16	2	2						
18	Bush for shackle plate (rubber)	AHH5016	HB17	8	8						
19	Nut for shackle plate	FNZ106	HB18	4	4						
20	Washer for shackle plate (spring)	LWZ206	HB19	4	4						
21	'U' clip for rear spring	184448	HB20	4	4						
22	Plate for top 'U' clip	AHH5082	HB21	2	2						
23	Nut for 'U' clip	FNZ106	HB22	16	16						
24	Plate—spring locating	ACG5001	HB23	4	4						
25	Pad for spring seating	ACG5002	HB24	4	4						
26	Bolt for spring front end	AHH5071	HB25	2	2						
27	Nut for front end bolt	FNZ107	HB26	2	2						
28	Washer for front end bolt (spring)	LWZ207	HB27	2	2						
29	Rebound strap	AHH5081	HB28	2	2						
30	Nut for rebound strap to axle	FNZ106	HB29	2	2						
31	Washer for rebound strap (plain)	PWZ206	HB30	2	2						
32	Washer for rebound strap (spring)	LWZ206	HB31	2	2						
33	Bump rubber	AHH5106	HB32	2	2						
34	Screw for bump rubber to frame	HZS0505	HB33	4	4						
35	Washer for bump rubber screw (spring)	LWZ205	HB34	4	4	24					
36	Bracket shock absorber arm to rear spring—R/H	AHH5067		1	1						
37	Bracket—shock absorber arm to rear spring—L/H	AHH5068	HB35	1	1						