

A08052

SERVICE PARTS LIST

THE MGA 1600

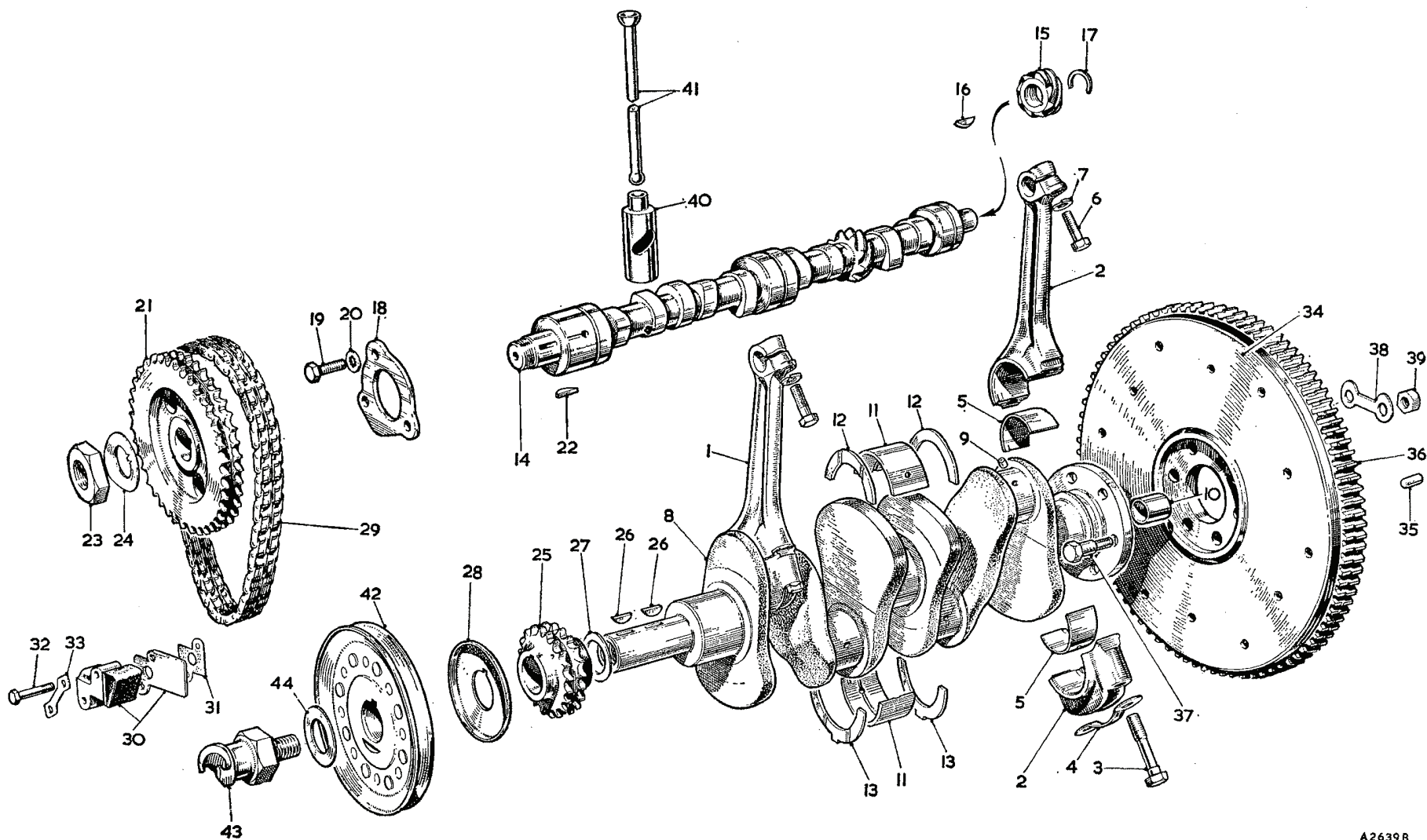
Item No.	DESCRIPTION	Commencing (E) 16GA/H101		Quantity	MODIFICATIONS		REMARKS
		Part Number	Illus. No.		New Part Number	Change Point	
	ENGINE						
	ENGINE UNIT						
1	Stripped engine unit	48G157		1		Fin. (E) 16GA/H31000	
2	Half engine unit	48G158		1	48G186	Com. (E) 16GA/H21805 Fin. (E) 16GA/H31000	48G158 not available use 48G186
3	Cylinder block assembly	48G159	1	1			
4	Plug (welch)	2K8169	2	4			
5	Plug—oil gallery	1H813	3	1			
6	Plug—oil gallery	2K8623	4	3			
7	Plug—taper—crankcase oil hole	6K874	5	2			
8	Plug—oil relief valve vent hole	6K899	6	2			
9	Plug—oil hole—oil filter boss	11G14	7	1			
10	Plug—oil dipper rod boss	2K4608	8	1			
11	Plug—chain tensioner oil feed	11G14	9	1			
12	Plug—oil hole (screwed)	2K4992	10	1			
13	Washer—screwed plug	6K638	11	1			
14	Stud—cylinder head (long)	51K245	12	4			
15	Stud—cylinder head (short)	51K246	13	7			
16	Stud—oil pump (short)	51K207	14	3			
17	Stud—crankcase vent pipe clip	53K257	15	2			
18	Stud—tachometer drive spindle housing	53K2171	16	2			
19	Stud—main bearing	51K894	17	6			
20	Cap—main bearing (front)	N.S.P.		1		Fin. (E) 16GA/H31000	
21	Cap—main bearing (centre)	N.S.P.		1			
22	Cap—main bearing (rear)	N.S.P.		1			
23	Washer—spring—main bearing studs	1.WN208	21	6			Part No. change; was 2K5897
24	Nut—main bearing studs	1.NN208	22	6			
25	Liner—camshaft bearing	8G2176	23	1 set			
26	Joint—front and rear main bearing caps	1H353	24	2			
27	Dowel—gearbox mounting plate	1G752	25	2	1K51		For 1G752 use 1K51 for this application
28	Piston assembly—standard—grade 3	12H001203	26	4			
29	Piston assembly—standard—grade 6	12H001206		4			
30	Piston assembly .010" (.254 mm.) o/s grade 3	12H001213		4	12H017813		12H001213 not available; use 12H017813 or 12H017816
31	Piston assembly .010" (.254 mm.) o/s grade 6			4	12H017816		
32	Piston assembly .020" (.508 mm.) o/s grade 3	12H001223		4	12H017823		12H001223 not available; use 12H017823 or 12H017826
33	Piston assembly .020" (.508 mm.) o/s grade 6			4	12H017826		
34	Piston assembly .030" (.762 mm.) o/s grade 3	12H001233		4	12H017833		12H001233 not available; use 12H017833 or 12H017836
35	Piston assembly .030" (.762 mm.) o/s grade 6			4	12H017836		
36	Piston assembly .040" (1.016 mm.) o/s grade 3	12H001243		4			

To facilitate the ordering of pistons the grade has been included in the part number and it is important that the new part number is always quoted.

SERVICE PARTS LIST

THE MGA 1600

Item No.	DESCRIPTION	Commencing (E) 16GA/H101		Quantity	MODIFICATIONS		REMARKS
		Part Number	Illus. No.		New Part Number	Change Point	
	Engine Unit—continued						
1	Ring—compression—top (standard)	12H14	27	4			
2	Ring—compression—top .010" (.254 mm.) o/s	12H001410		4			
3	Ring—compression—top .020" (.508 mm.) o/s	12H001420		4			
4	Ring—compression—top .030" (.762 mm.) o/s	12H001430		4			
5	Ring—compression—top .040" (1.016 mm.) o/s	12H001400		4			
6	Ring—compression—2nd and 3rd (standard)	12H15	28	8			
7	Ring—compression—2nd and 3rd .010" (.254 mm.) o/s	12H001510		8			
8	Ring—compression—2nd and 3rd .020" (.508 mm.) o/s	12H001520		8			
9	Ring—compression—2nd and 3rd .030" (.762 mm.) o/s	12H001530		8			
10	Ring—compression—2nd and 3rd .040" (1.016 mm.) o/s	12H001540		8			
11	Ring—scraper (standard)	12H16	29	4			
12	Ring—scraper .010" (.254 mm.) o/s	12H001610		4			
13	Ring—scraper .020" (.508 mm.) o/s	12H001620		4			
14	Ring—scraper .030" (.762 mm.) o/s	12H001630		4			
15	Ring—scraper .040" (1.016 mm.) o/s	12H001640		4			
16	Pin—gudgeon—standard	12H17	30	4	12H179		12H17 not available; use 12H179
17	Pin—gudgeon—.002" (.0508 mm.) o/s	12H001702		4	12H017902		12H001702 not available; use 12H017902
18	Pin—gudgeon—.004" (.1016 mm.) o/s	12H001704		4	12H017904		12H001704 not available; use 12H017904
19	Pin—gudgeon—.006" (.1524 mm.) o/s	12H001706		4	12H07906		12H001706 not available; use 12H017906
20	Tap—cylinder block drain	3H576	31	1			
21	Washer—drain tap	2K4954	32	1			
22	Washer—drain tap	2K4975		1			Alternatives
	ENGINE MOUNTING PLATE						
23	Plate—engine mounting	11G96	33	1	12H1387		11G96 not available; use 12H1387
24	Joint washer—front mounting plate	11G97	34	1			
25	Screw—mounting plate to crankcase	HZS0506	35	3			
26	Washer—spring—screw	2K5319	36	3	LWN305		2K5319 not available; use LWN305



A2639B

SERVICE PARTS LIST

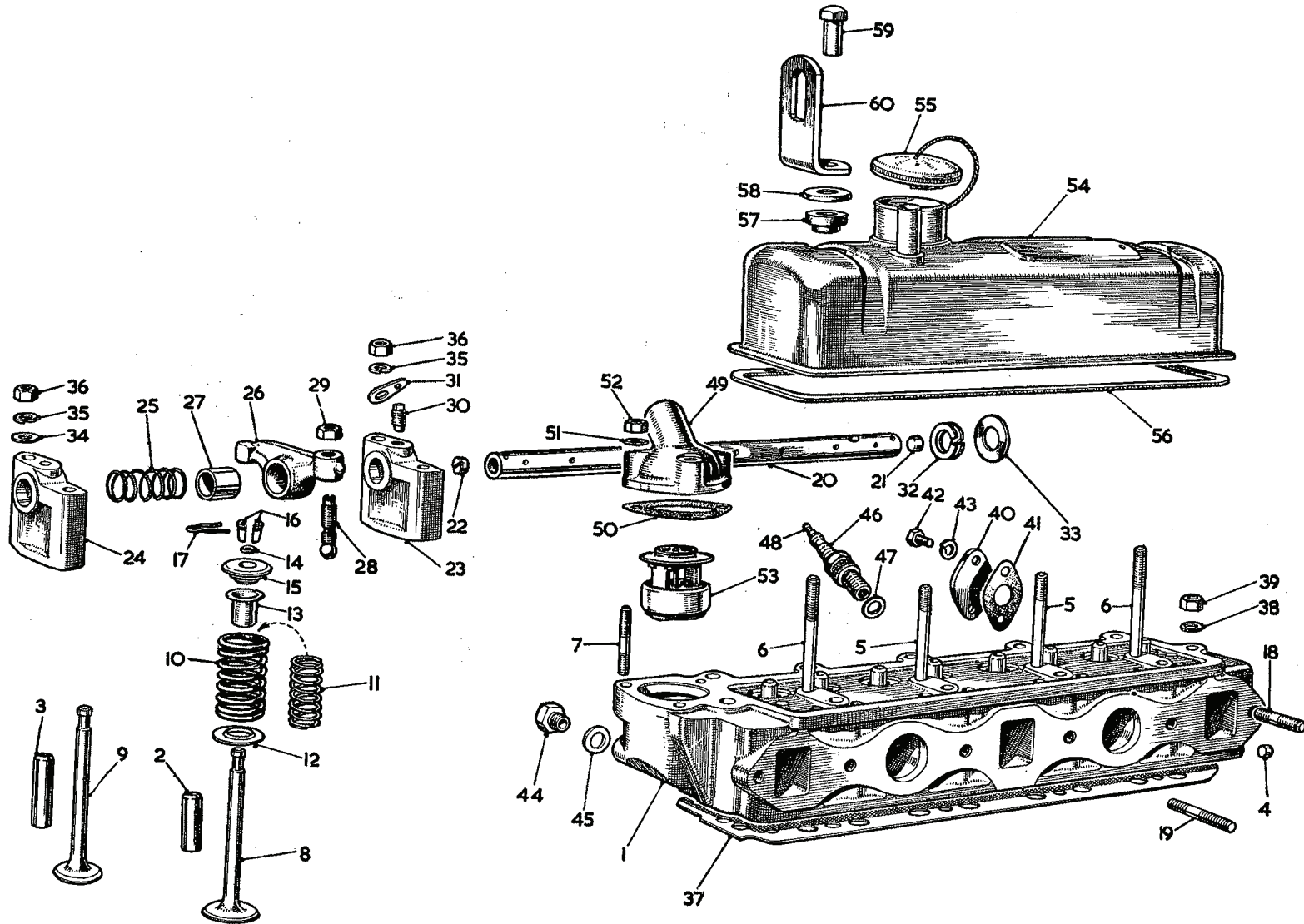
THE MGA 1600

Item No.	DESCRIPTION	Commencing (E) 16GA/H101		Quantity	MODIFICATIONS		REMARKS
		Part Number	Illus. No.		New Part Number	Change Point	
CONNECTING ROD AND BEARINGS							
1	Connecting rod and cap—Nos. 1 and 3 cylinders	1H703	1	2	12H93] Com. (E) 16GA/H21705 Fin. (E) 16GA/H31600	
2	Connecting rod and cap—Nos. 2 and 4 cylinders	1H701	2	2	12H91		
3	Screw—cap	51K1388	3	8			
4	Washer—lock—screw	6K881	4	4			
5	Bearing—connecting rod—big-end (standard)	8G2285	5	1 set			
6	Bearing—connecting rod—big end .010" (.254 mm.) u/s	8G228510		1 set] Fin. (E) 16GA/H31600	
7	Bearing—connecting rod—big-end .020" (.508 mm.) u/s	8G228520		1 set			
8	Bearing—connecting rod—big-end .030" (.762 mm.) u/s	8G228530		1 set			
9	Bearing—connecting rod—big-end .040" (1.016 mm.) u/s	8G228540		1 set			
10	Screw—clamping	51K1382	6	4			
11	Washer—spring—screw	2K5319	7	4	LWN305		2K5310 not available; use LWN305
CRANKSHAFT AND CAMSHAFT							
12	Crankshaft	12H54	8	1	12H165	Com. (E) 16GA/H21805 Fin. (E) 16GA/H31600	12H54 not available; use 12H165
13	Restrictor—oil	1G1167	9	4] Fin. (E) 16GA/H31600	
14	Bush—1st motion shaft	1G765	10	1			
15	Bolt—flywheel to crankshaft	51K1022	37	6			
16	Washer—lock—bolt	6K26	38	3			
17	Nut—bolt	FNZ506	39	6			
18	Crankshaft with bearings (reground)	48G187		1			
19	Bearing—main (standard)	8G2175	11	1 set	8G2288] Com. (E) 16GA/H21805 Fin. (E) 16GA/H31600	
20	Bearing—main .010" (.254 mm.) u/s	8G217510		1 set	8G228810		
21	Bearing—main .020" (.508 mm.) u/s	8G217520		1 set	8G228820		
22	Bearing—main .030" (.762 mm.) u/s	8H217530		1 set	8 G228830		
23	Bearing—main .040" (1.016 mm.) u/s	8G217540		1 set	8G228840		
24	Washer—thrust (upper)	1G2331	12	2			
25	Washer—thrust (lower)	1G2332	13	2			
26	Camshaft	88G252	14	1			Part No. change; was 1H729 and 1H1435 correction; was 17H30
27	Gear—tachometer drive	1H730	15	1] Fin. (E) 16GA/H31600	
28	Key—tachometer gear	WKN304	16	1			
29	Spring ring—tachometer gear	1H605	17	1			
30	Plate—camshaft locating	11G136	18	1			
31	Screw—locating plate to crankcase	HNS0406	19	3			
32	Washer—shakeproof—screw	LWN404	20	3			
33	Gear—camshaft	11G203	21	1			
34	Key—camshaft gear	WKN505	22	1			
35	Nut—camshaft gear	6K629	23	1			
36	Washer—lock—nut	2A759	24	1			Part No. change; was LWN604

SERVICE PARTS LIST

THE MGA 1600

Item No.	DESCRIPTION	Commencing C/E 13171		Quantity	MODIFICATIONS		REMARKS
		Part Number	Illus. No.		New Part Number	Change Point	
	Crankshaft and Camshaft—continued						
1	Gear—crankshaft	1A2028	25	1			
2	Key—crankshaft gear and pulley	2H326	26	2			
3	Washer—packing	2K6633	27	A/R			
4	Thrower—oil—crankshaft front	1A1546	28	1			
5	Chain—timing	2H4905	29	1		Fin. (E) 16GA/H31660	
6	Tensioner assembly—chain	17H343		1			Not available; use component parts
7	Tensioner assembly	17H6680		1			
8	Slipper head	17H31		1			
9	Key—Allen	17H6679		1			Service purposes only
10	Joint washer—tensioner	AEC339	31	1			
11	Screw—tensioner to crankcase	HBN0412	32	2			
12	Washer—lock—screw	AEC340	33	1			
	FLYWHEEL						
13	Flywheel with starter ring gear and dowels	1H651	34	1			
14	Dowel—clutch to flywheel	1G2984	35	2		Fin. (E) 16GA/H31660	
15	Ring gear—starting	1G2874	36	1			Not U.K.
	TAPPETS AND PUSH-RODS						
16	Tappet (standard)	1H822	40	8			
17	Tappet .010" (.254 mm.) o/s	1H082210		8			
18	Tappet .020" (.508 mm.) o/s	1H082220		8		Fin. (E) 16GA/H31660	
19	Push—rod	11G241	41	8			
20	Push—rod	12H1306					Alternatives
	CRANKSHAFT PULLEY						
21	Pulley—crankshaft	11G81	42	1			
22	Nut—starting	1H765	43	1		Fin. (E) 16GA/H31660	
23	Washer—lock—starting nut	1G1319	44	1			



A2640A

SERVICE PARTS LIST

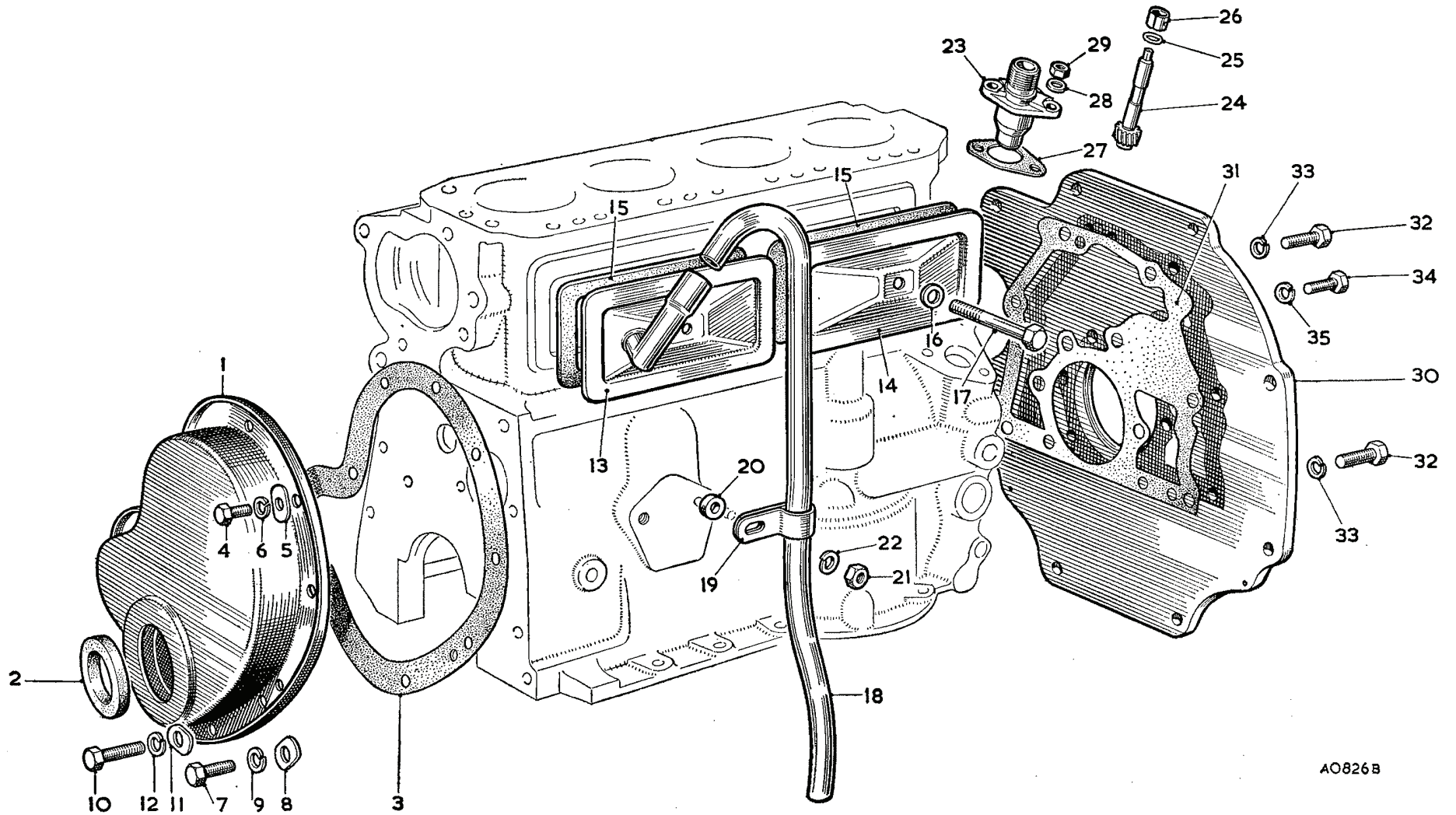
THE MGA 1600

Item No.	DESCRIPTION	Commencing (E) 16GA/H101		Quantity	MODIFICATIONS		REMARKS	
		Part Number	Illus. No.		New Part Number	Change Point		
	CYLINDER HEAD—VALVES—GUIDES—SPRINGS—ROCKERS							
1	Cylinder head assembly (less rocker gear)	48G31		1			Not available; use component parts Part No. change was 1H1060	
2	Cylinder head with guides plug and studs	48G222		1				
3	Guide—inlet valve	11G313		2				
4	Guide—exhaust valve	11G193		3				
5	Plug—oil hole	6K872		4		Fin. (E) 16GA/H31660		
6	Stud—rocker bracket (short)	51K881		5				
7	Stud—rocker bracket (long)	51K893		6				
8	Stud—water outlet elbow	53K531		7				
9	Valve—inlet	1H1059		8				
10	Valve—exhaust	1H686		9	1H1323	Com. (E) 16GA/H20846 Fin. (E) 16GA/H31660		Always supply 1H1323 for this application Special orders only For 1H722 use 6K873 for this application
11	Valve—exhaust (hard faced)	1H1025				Fin. (E) 16GA/H31660		
12	Spring—valve (outer)	1H722	10	9	6K873	Com. (E) 16GA/H31640 Fin. (E) 16GA/H31660		
13	Spring—valve (inner)	1H723	11	8				
14	Collar—valve spring	1H1321	12	8				
15	Shroud—valve guide	1H1320	30	8				
16	Ring—valve packing	AEK113	14	8				
17	Cup—valve spring	1H1319	15	8				
18	Cotter—valves (halves)	1K800	16	16				
19	Circlip—valve cotter	1K372	17	8				
20	Stud—exhaust manifold to cylinder head	FLS2513	18	2	FHS2513	FHS2513 not available; use FLS2513		
21	Stud—inlet and exhaust manifold to cylinder head	53K490	19	4				
22	Shaft assembly—valve rocker	1G2522		1				
23	Shaft—valve rocker (plugged)	11G62	20	1				
24	Plug—valve rocker (plain)	6K878	21	1				
25	Plug—valve rocker (screwed)	2K4608	22	1		Fin. (E) 16GA/H31660		
26	Bracket—rocker shaft (tapped)	1H1419	23	1				
27	Bracket—rocker shaft (screwed)	1H1420	24	3				
28	Spring—rocker spacing	6K871	25	3				
29	Rocker valve bushed	11G45	26	8				
30	Bush	1G2205	27	8				
31	Rivet—valve rocker	5C2436		8				
32	Screw—tappet adjusting	48G207	28	8				
33	Nut—tappet adjusting screw (lock)	51K1178	29	8		Part No. change; was 11G47		
34	Screw—rocker shaft (locating)	2A258	30	1				
35	Plate—locating screw (lock)	2A259	31	1				
36	Washer—spring—rocker shaft—double coil	1A2139	32	2				
37	Washer—rocker shaft	2K6804	32	2				

SERVICE PARTS LIST

THE MGA 1600

Item No.	DESCRIPTION	Commencing (E) 16GA/H101		Quantity	MODIFICATIONS		REMARKS
		Part Number	Illus. No.		New Part Number	Change Point	
	Cylinder Head—Valves—Guides—Springs—Rockers—continued						
1	Washer—plain—rocker bracket stud	PWN105	34	3			
2	Washer—spring—rocker bracket stud	2K5319	35	4	LWN305] Fin. (E) 16GA/H31660	2K5319 not available; use LWN305
3	Nut—rocker bracket stud	FNN105	36	4			
4	Joint—cylinder head	12H18	37	1	12H433		12H18 not available; use 12H433
5	Washer—plain—cylinder head stud	PWN106	38	11			
6	Nut—cylinder head stud	53K371	39	11	51K371		Not available; use 51K371
7	Plate—heater outlet elbow blanking	1G1282	40	1			
8	Joint washer—blanking plate	1G2342	41	1			
9	Screw—plate to cylinder head	HZS0404	42	2] Fin. (E) 16GA/H31660	
10	Washer—spring—screw	LWN304	43	2			
11	Plug—thermal transmitter boss	1G2953	44	1			
12	Washer—splug	1B3664	45	1			
	SPARKING PLUGS						
13	Plug—sparking	3H2006	46	4			
14	Gasket—plug	88G219	47	4] Fin. (E) 16GA/H31660	Part No. change; was 11G145 and 2K5211
15	Terminal—sparking plug	2H4646	48	4			
	WATER OUTLET ELBOW—THERMOSTAT						
16	Elbow—water outlet	1H727	49	1			
17	Joint washer—elbow	1A2149	50	1	12A29] Fin. (E) 16GA/H31660	1A2149 not available; use 12A29
18	Washer—plain—stud in cylinder head	PWZ105	51	3			
19	Nut—stud	FNZ105	52	3			
20	Thermostat	11G291	53	1	11K399	Com. (E) 16GA/H4788 Fin. (E) 16GA/H31660	11G291 not available; use 11K399
	VALVE ROCKER COVER—OIL FILLER						
21	Cover—valve rocker	1H1339	54	1			
22	Cap and cable—oil filler	8H612	55	1			
23	Joint washer—rocker cover to cylinder head	11G300	56	1	12H37] Fin. (E) 16GA/H31660	[11G300 not available] Alternative use 12H37
24	Joint washer—rocker cover to cylinder head	1H1329		1	12H37		
25	Bush—cover (rubber)	2K8568	57	2			
26	Washer—cup—nut	1A2156	58	2			
27	Nut—rocker cover (cap)	2A150	59	2			
28	Distance piece—rocker cover stud	1B2925	60	2			

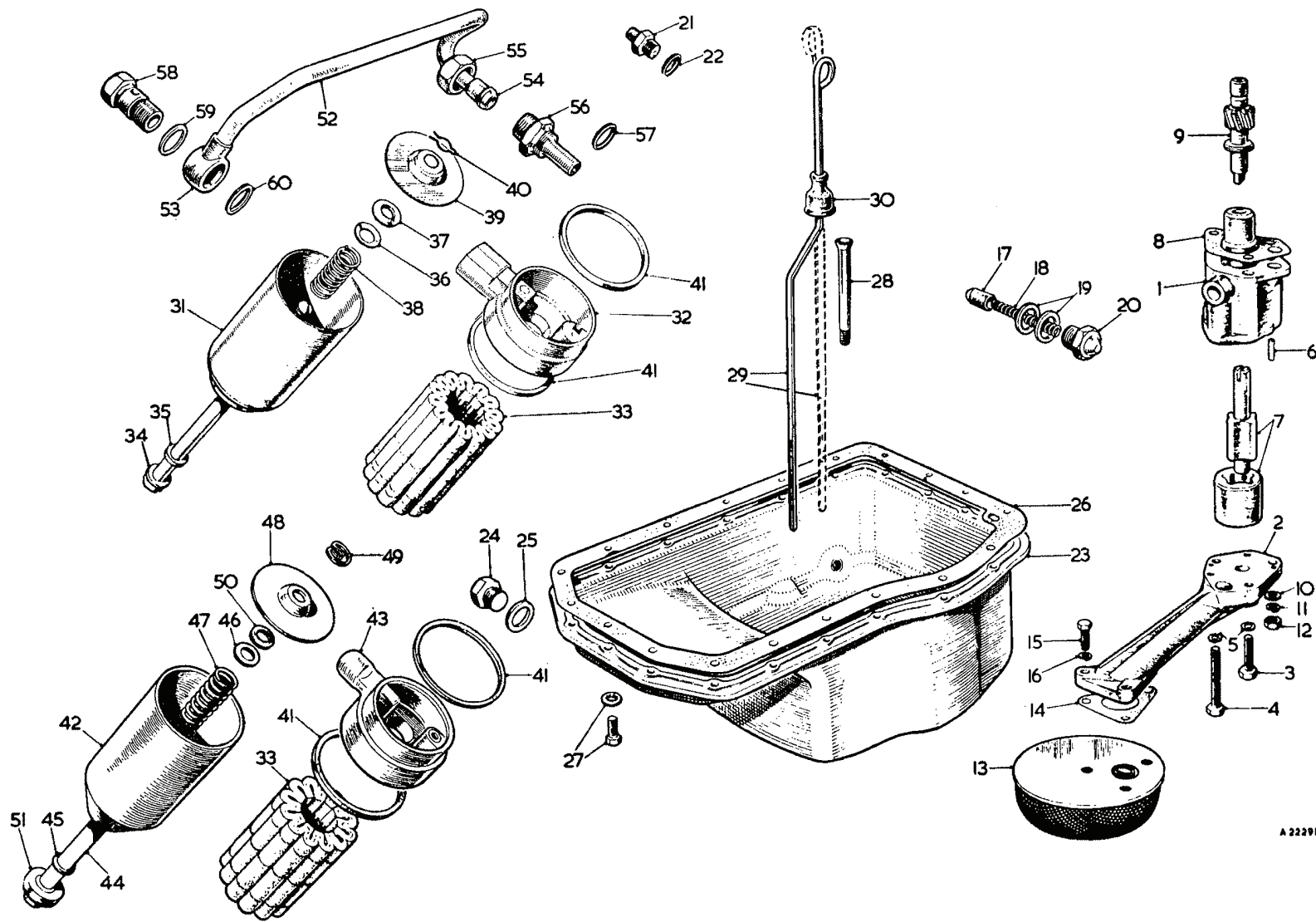


AO826B

SERVICE PARTS LIST

THE MGA 1600

Item No.	DESCRIPTION	Commencing (E) 16GA/H101		Quantity	MODIFICATIONS		REMARKS
		Part Number	Illus. No.		New Part Number	Change Point	
CYLINDER, FRONT AND SIDE COVERS							
1	Cover—front (with oil catcher and felt)	11G93	1	1			
2	Ring—crankcase front cover (felt)	2K7140	2	1			
3	Joint—front cover	11G95	3	1	12H1319		11G95 not available; use 12H1319
4	Screw—front cover to mounting plate	HZS0403	4	3			
5	Washer—plain—screw	2K5197	5	3			
6	Washer—spring—screw	LWN204	6	3		Fin. (E) 1GA/H31600	
7	Screw—front cover to mounting plate and crankcase	HZS0506	7	4			
8	Washer—plain—screw	2K7440	8	4			
9	Washer—spring—screw	LWN205	9	4			
10	Screw—front cover to bearing cap	HZS0406	10	2			
11	Washer—plain—screw	2K5197	11	2			
12	Washer—spring—screw	LWN204	12	2			
13	Cover—cylinder side—front (with elbow)	1H873			12H150 12H950		Not available; use 12H950
14	Cover—cylinder side—rear	2A770			12H152 12H941	Com. (E) 16GA/H25740 Fin. (E) 16GA/H31600	Not available; use 12H941
15	Joint—rear cover	1A2203	15	2	12A24		1A2203 not available use 12A24
16	Washer—plain—screw	2K4058	16	2			
17	Screw—side cover to crankcase	11B20513	17	2			
18	Pipe—crankcase vent	1H871	18	1		Fin. (E) 16GA/H31600	
19	Clip for pipe	1G2002	19	1	12H981		1G2002 not available; use 12H981
20	Distance piece—clip to crankcase	1H840	20	1			
21	Nut—stud—pipe to crankcase	FNZ105	21	1			
22	Washer—spring—nut	LWZ205	22	2			
TACHOMETER DRIVE							
23	Housing—tachometer drive pinion	1H501	23	1			
24	Pinion—tachometer drive	1H721	24	1			
25	Oil seal—pinion	1G2398	25	1			
26	Ring—oil seal retaining	1G2399	26	1		Fin. (E) 16GA/H31600	
27	Joint—tachometer pinion housing	1G2401	27	1			Not supplied in supplementary set
28	Washer—plain—tachometer housing stud	PWZ105	28	2			
29	Nut—stud	FNZ105	29	2			
GEARBOX MOUNTING PLATE							
30	Plate—gearbox mounting	1H821	30	1			
31	Joint—mounting plate to crankcase	1G2425	31	1			
32	Screw—mounting plate to crankcase	53K1777	32	8		Fin. (E) 16GA/H31600	
33	Washer—spring—screw	LWZ306	33	8			
34	Screw—mounting plate to crankcase	53K1776	34	4			
35	Washer—spring—screw	LWZ305	35	4			



A 22298

SERVICE PARTS LIST

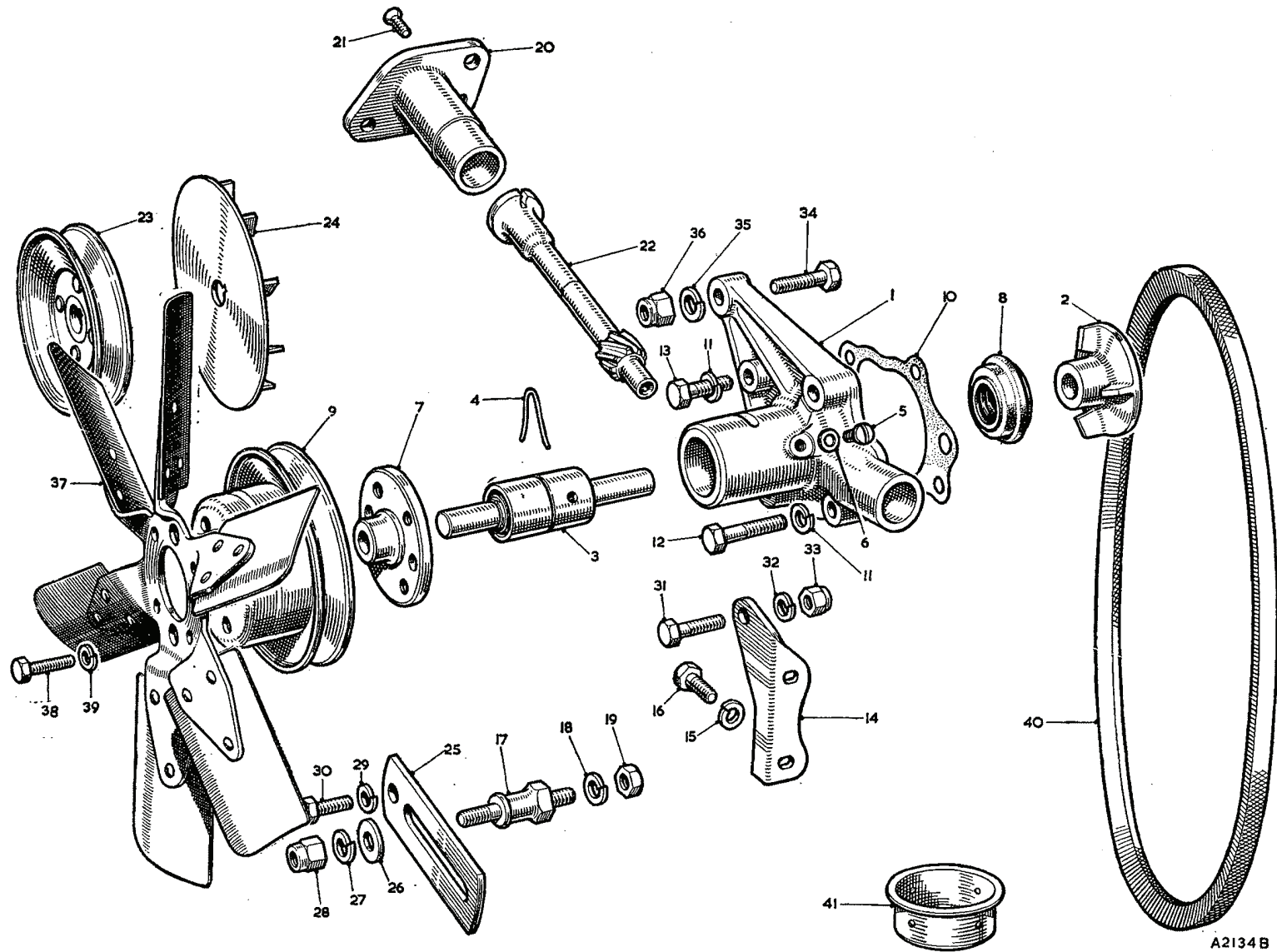
THE MGA 1600

Item No.	DESCRIPTION	Commencing (E) 16GA/H101		Quantity	MODIFICATIONS		REMARKS
		Part Number	Illus. No.		New Part Number	Change Point	
	OIL PUMP—STRAINER—RELEASE VALVE						
1	Pump assembly—oil	88G296		1			Part No. change; was 1H1191 was 7H1790 Breakdown parts for Holbourn-Eaton oil pumps only Fin. (E) 16GA/H31660 2K5319 not available; use LWN305 1H1192 not available; use 12H984
2	Body with plug	NSP	1	1			
3	Cover	17H1712	2	1			
4	Screw—cover (short)	HNS0408	3	1			
5	Screw—cover (long)	HNS0414	4	1			
6	Washer—spring—screw	LWN204	5	2			
7	Dowel	7H1793	6	2			
8	Shaft—driving (with rotors)	7H1792	7	1			
9	Joint—pump to crankcase	11G10	8	1			
10	Spindle—oil pump driving	11G12	9	1			
11	Washer—plain—stud	PWN105	10	3			
12	Washer—spring—stud	2K5319	11	3	LWN305		
13	Nut—stud—oil pump to crankcase	FNN105	12	3			
14	Strainer—oil	1H1192	13	1	12H984		
15	Joint washer—strainer to oil pump	1H1198	14	1			
16	Bolt—oil strainer to oil pump	HNS0407	15	3			
17	Washer—spring—bolt	LWN304	16	3			
18	Valve—oil release	1G1452	17	1			
19	Spring—oil release valve	1H756	18	1			
20	Washer—cap nut	2K4982	19	2			
21	Nut—cap—oil release valve	1A2206	20	1			
22	Union—oil pressure	11G15	21	1			
23	Washer—union	6K638	22	1			

SERVICE PARTS LIST

THE MGA 1600

Item No.	DESCRIPTION	Commencing (E) 16GA/H101		Quantity	MODIFICATIONS		REMARKS
		Part Number	Illus. No.		New Part Number	Change Point	
OIL RESERVOIR—DIPPER ROD							
1	Reservoir—oil	1G2508	23	1	12H395] Fin. (E) 16GA/H31600 Com. (E) 16GA/H10649 Fin. (E) 16GA/H31600 Fin. (E) 16GA/H31600	1G2508 not available; use 12H395 Part No. change; was 2F4249 and 2A380
2	Plug—drain	88G257	24	1			
3	Washer—drain plug	6K638	25	1			
4	Joint washer—oil reservoir	1G2290	26	1	88G256		
5	Screw with captive washer—reservoir to crankcase	6K639	27	19			
6	Screw—reservoir to crankcase	HZS04040		19			
7	Washer—screw (shakeproof)	LWZ404		19			
8	Tube—oil level indicator rod	1B1063	28	1			
9	Rod—oil level indicator	11G64	29	1	12H74		
10	Cover for oil level indicator (dust)	1B1735	30	1			
OIL FILTER AND PIPE							
11	Filter assembly—oil (Tecalemit)	1H1067		1] Fin. (E) 16GA/H31600	Alternative to 1H1051
12	Container	1H1069	31	1			
13	Head assembly	1H1068	32	1			
14	Element	8G683	33	1			
15	Bolt—centre	7H1965	34	1			
16	Washer—sealing	7H1948	35	1			
17	Washer (steel)	7H1909	36	1			
18	Washer (felt)	7H1968	37	1			
19	Spring	7H1764	38	1			
20	Plate—pressure	17H846	39	1			
21	Circlip	7H1952	40	1			
22	Joint ring—body to filter and crankcase	8G619	41	2			
23	Filter assembly—oil (Purolator)	NSP		1] Fin. (E) 16GA/H31600	Alternative to 1H1067; was 1H1051
24	Body assembly	1H1053	42	1			
25	Head assembly	1H1052	43	1			
26	Element	8G683	33	1			
27	Bolt—centre	17H1558	44	1			
28	Ring—sealing	17H1556	45	1			
29	Washer—filter	17H1448	46	1			
30	Spring	17H1449	47	1			
31	Plate—pressure	17H1446	47	1			
32	Circlip	17H1557	49	1	37H906		
33	Joint ring—body to filter head and crankcase	8G619	41	2			
34	Seal	17H1447	50	1			
35	Collar—centre bolt	17H1559	51	1			



A2134B

SERVICE PARTS LIST

THE MGA 1600

Item No.	DESCRIPTION	Commencing (E) 16GA/H101		Quantity	MODIFICATIONS		REMARKS
		Part Number	Illus. No.		New Part Number	Change Point	
	WATER PUMP AND PULLEY						
1	Pump assembly—water (with hub less pulley)	1H1140		1	12H839] Fin. (E) 16GA/H31060	1H1140 not available; use 12H839; was 1H1151
2	Body	NSP	1	1			
3	Vane	1H1152	2	1			
4	Bearing (with spindle)	1H1153	3	1			
5	Wire—bearing locating	2A778	4	1			
6	Screw—lubricating point	53K1433	5	1			
7	Washer—screw (fibre)	2K4974	6	1			
8	Hub—pulley	8G724	7	1			
9	Seal—water pump	8G698	8	1	13H772		
10	Pulley—fan and water pump	11G200	9	1	8G742		
11	Joint—water pump to crankcase	1G2302	10	1			
12	Washer—spring—screw	2K5319	11	4	LWN305		
13	Screw—pump to crankcase (long)	HBZ0510	12	2			
14	Screw—pump to crankcase (short)	HZS0509	13	2			
	DYNAMO AND DISTRIBUTOR MOUNTING						
15	Bracket for dynamo (rear)	2A758			12A526] Fin. (E) 16GA/H31060	2A758 not available; use 12A526
16	Washer—spring—screw	2K5319	15	2	LWN305		
17	Screw—bracket to crankshaft	HZS0506	16	2			
18	Pillar—dynamo adjusting link	2A128	17	1			
19	Washer—spring pillar	LWN306	18	1			
20	Nut—dynamo pillar	FNZ506	19	1			
21	Housing—distributor	1G2285	20	1			
22	Screw—housing to crankcase	53K1206	21	1			
23	Spindle—distributor driving	2A189	22	1			
24	Spindle—distributor driving	2A847					[Alternatives] Not available; use 1G2062
25	Spindle—distributor driving				1G2062		

SERVICE PARTS LIST

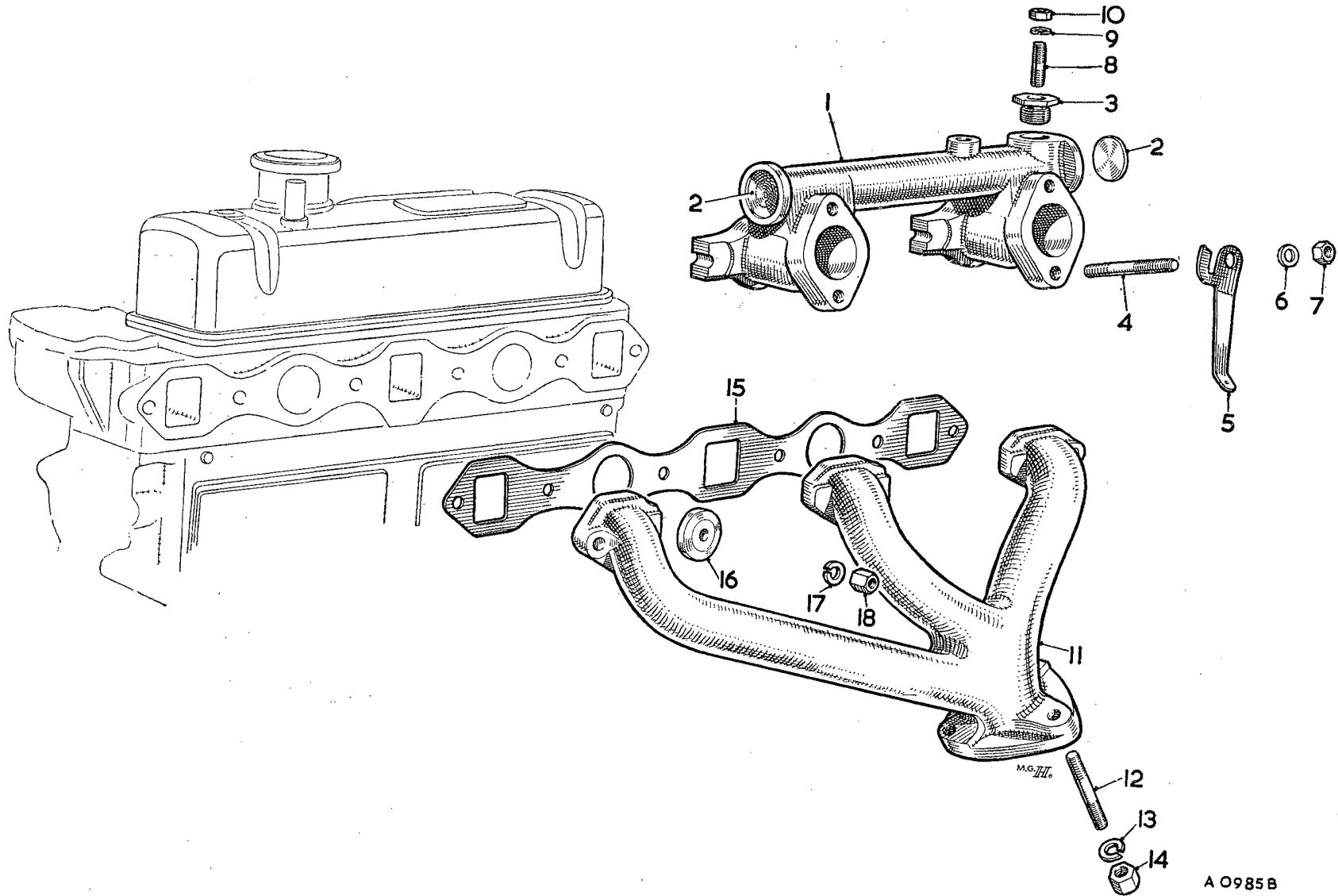
THE MGA 1600

Item No.	DESCRIPTION	Commencing (E) 16GA/H101		Quantity	MODIFICATIONS		REMARKS
		Part Number	Illus. No.		New Part Number	Change Point	
	Dynamo and distributor mounting—continued						
1	Pulley—dynamo	1H998	23	1	12H71] Com. (E) 16GA/H6396 Fin. (E) 16GA/H31660	
2	Fan—dynamo	1G1783	24	1	17D11		
3	Link—dynamo adjusting	2A497	25	1	12H67		2A497 not available; use 12H67
4	Washer—plain—nut	PWN106	26	1			Part No. change was 2K9932
5	Washer—spring—nut	LWN306	27	1			
6	Nut—adjusting link	LNZ206	28	1			
7	Screw—adjusting link to pillar	3H2098	30	1			
8	Washer—spring—screw	2K5319	29	1	LWN305		2K5319 not available; use LWN305
9	Bolt—dynamo to mounting bracket	HZS0509	31	1] Fin. (E) 16GA/H31660	
10	Washer—spring—bolt	2K5319	32	1	LWN305		
11	Nut—bolt	LNZ205	33	1			
12	Bolt—dynamo to water pump	HBZ0513	34	1			
13	Washer—spring—bolt	2K5319	35	1	LWN305		2K5319 not available; use LWN305
14	Nut—bolt	LNZ205	36	1			

SERVICE PARTS LIST

THE MGA 1600

Item No.	DESCRIPTION	Commencing (E) 16GA/H101		Quantity	MODIFICATIONS		REMARKS
		Part Number	Illus. No.		New Part Number	Change Point	
	ENGINE SERVICE KITS						
1	Joint set—decarbonizing	48G160		1	48G220	}	48G160 not available; use 48G220
2	Joint—cylinder head			1			
3	Joint—manifold			1			
4	Joint—valve rocker cover			1			
5	Ring—valve packing (rubber)			8			
6	Joint—water outlet elbow			1			
7	Joint—carburetter			6			
8	Joint—heater outlet blanking plate			1			
9	Joint—air cleaner to carburetter			2			
10	Joint set—supplementary	48G138		1	48G242		
11	Ring—crankcase front cover (felt)	2K7140		1			
12	Joint—main bearing cap			2			
13	Joint—oil strainer to oil pump			1			
14	Joint—pump to crankcase			1			
15	Joint—oil reservoir			1			
16	Joint—cylinder side cover to crankcase			2			
17	Joint—water pump to crankcase			1			
18	Washer—drain plug			1			
19	Joint—gearbox mounting plate to crankcase			1			
20	Joint—oil filter to crankcase			1	Fin. (E) 16GA/H31660		
21	Joint—oil pipe adaptor			1			
22	Joint—front engine mounting plate			1			
23	Joint—front cover			1			
24	Joint—chain tensioner			1			
25	Chain tensioner servicing kit	17H341		1			
26	Spring			1			
27	Bottom plug			1			
28	Tab washer			1			
29	Cylinder			1			
30	Kit—water pump repair	8G2873		1			
31	Vane			1			
32	Hub			1			
33	Bearing (with spindle)			1			
34	Wire—bearing locating			1			
35	Screw—lubricating point			1			
36	Washer screw (fibre)			1			
37	Seal			1			
38	Joint—pump to crankcase			1			

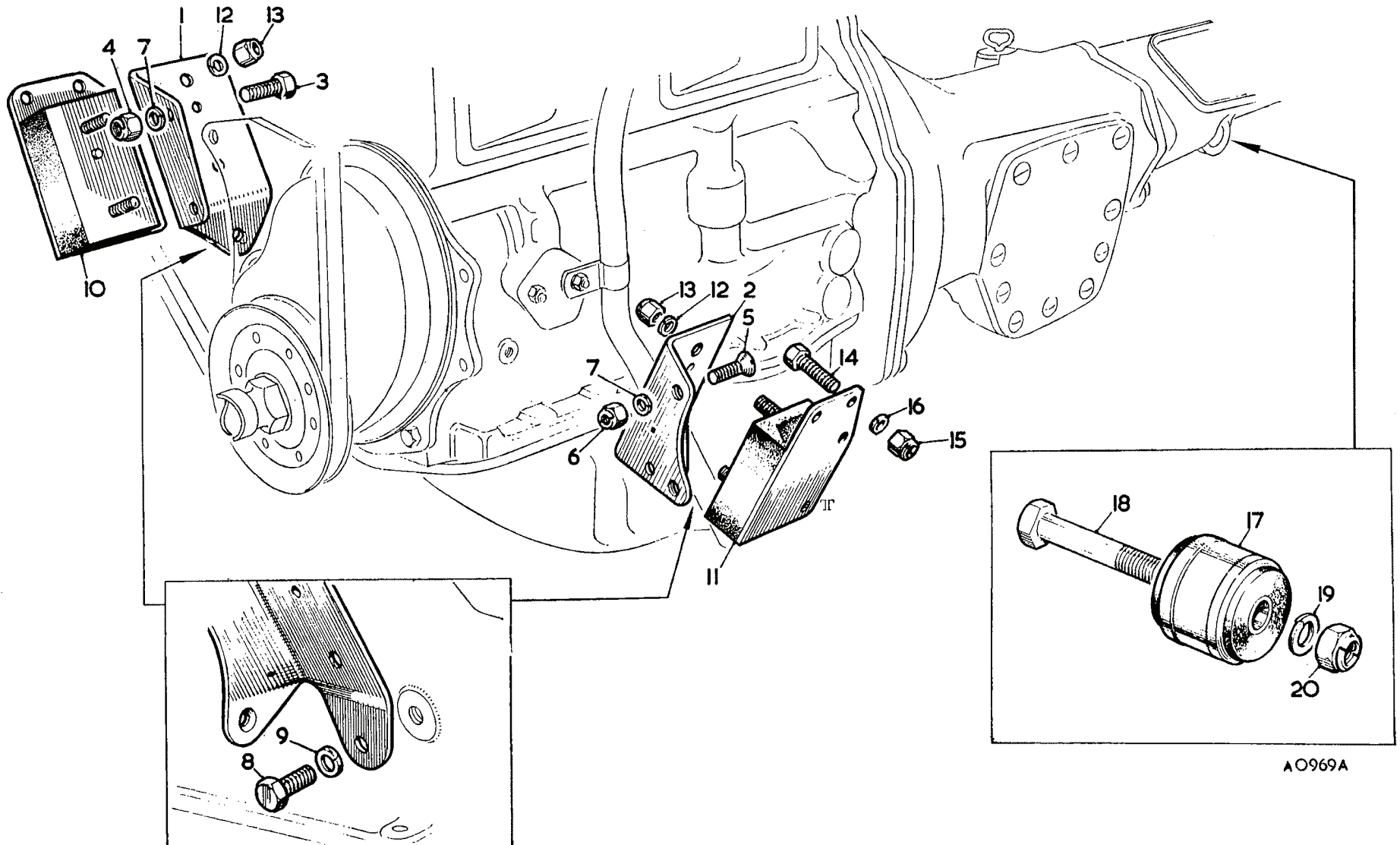


A 0985B

SERVICE PARTS LIST

THE MGA 1600

Item No.	DESCRIPTION	Commencing (E) 16GA/H101		Quantity	MODIFICATIONS		REMARKS
		Part Number	Illus. No.		New Part Number	Change Point	
	INLET AND EXHAUST MANIFOLD						
1	Manifold—inlet	AEH660	1	1			
2	Plug—inlet manifold (welch)	2K8159	2	2			
3	Plug—adaptor	AEH281	3	1			
4	Stud—carburettor to manifold	53K2236	4	4			
5	Bracket—anchor—accelerator spring	AHH5339	5	1			
6	Washer—plain—stud	1WZ106	6	4			
7	Nut—stud	FNZ106	7	4			
8	Stud—inlet manifold (accelerator abutment bracket)	AHH5299	8	2			
9	Washer—spring—stud	LWZ206	9	2			
10	Nut—stud	FNZ206	10	2			
11	Manifold—exhaust	48G148	11	1			
12	Stud—exhaust pipe flange	AEH194	12	3			
13	Washer—spring—stud	LWZ206	13	3			
14	Nut—stud	AEH195	14	3			
15	Joint washer—manifolds to cylinder head	1G2417	15	1			
16	Yoke—manifolds	1G2418	16	4			
17	Washer—spring—stud	LWZ205	17	6			
18	Nut—manifold stud	AHH5171	18	6			



A0969A

SERVICE PARTS LIST

THE MGA 1600

Item No.	DESCRIPTION	Commencing (E) 16GA/H101		Quantity	MODIFICATIONS		REMARKS
		Part Number	Illus. No.		New Part Number	Change Point	
	ENGINE MOUNTINGS						
1	Bracket—engine mounting—front—R/H	AHH5065	1	1			
2	Bracket—engine mounting—front—L/H	AHH5066	2	1			
3	Screw—bracket to mounting plate—R/H	HZS0508	3	2			
4	Nut—screw	LNZ105	4	2			
5	Screw—bracket to plate	CMZ0516	5	2			
6	Nut—screw	LNZ105	6	2			
7	Washer—spring—screw	LWZ205	7	4			
8	Screw—bracket to block	HZS0606	8	2			
9	Washer—spring—screw	LWZ206	9	2			
10	Rubber—engine mounting—front—R/H	AHH5027	10	1			Standard model
11	Rubber—engine mounting—front—R/H		1	1	AHH5833	Com. (C) 91240	All round disc brakes model
12	Rubber—engine mounting—front—L.H.	AHH5028	11	1			
13	Washer—engine mounting to bracket (spring)	LWZ205	12	4			
14	Nut—mounting to bracket	FNZ105	13	4			
15	Screw—mounting rubber to frame bracket	HZS0506	14	5			Standard model
16	Screw—mounting rubber to frame bracket		4	4	HZS0506	Com. (C) 91240	All round disc brakes model
17	Screw—mounting rubber and coil bracket to frame bracket	HZS0507		3			Standard model
18	Screw—mounting rubber and coil bracket to frame bracket		4	4	HZS0505	Com. (C) 91240	All round disc brakes model
19	for screw	FNZ105	15	8			
20	Washer—spring—screw	LWZ205	16	8			
21	Bush—rear engine mounting—flexible	AHH5031	17	1			
22	Bolt—bush	HBZ0826	18	1			
23	Washer—spring—screw	LWZ208	19	1			
24	Nut—bolt	LNZ108	20	1			