

A0805F

SERVICE PARTS LIST

THE MGA 1600

Item No.	DESCRIPTION	Commencing (E) 16GC/H101		Quantity	MODIFICATIONS		REMARKS
		Part Number	Illus. No.		New Part Number	Change Point	
	<b>ENGINE</b>						
	<b>ENGINE UNIT</b>						
1	Stripped engine unit	H.C. 48G214		1			
2	Stripped engine unit	L.C. 48G218		1			
3	Half engine unit	H.C. 48G213		1			
4	Half engine unit	L.C. 48G217		1			
5	Cylinder block assembly	H.C. 48G212	1	1			
6	Cylinder block assembly	L.C. 48G219		1			
7	Plug—welch	2K8169	2	4			
8	Plug—oil gallery	1H813	3	1/4			Quantity increased at (E) 16GC/2327 also 2157 to 2225
9	Plug—oil gallery	2K8023	4	3		Fin. (E) 16GC/2326 except 2157 to 2225	
10	Plug—taper—crankcase oil hole	0K874	5	2			
11	Plug—oil relief valve vent hole	0K899	6	2			
12	Plug—chain tensioner oil feed	11G14	9	1			
13	Plug—oil hole (screwed)	2K4993	10	1			
14	Washer—screwed plug	0K638	11	1			
15	Stud—cylinder head (long)	51K245	12	4			
16	Stud—cylinder head (short)	51K246	13	7			
17	Stud—oil pump (short)	51K207	14	3			
18	Stud—crankcase vent pipe clip	53K257	15	2			Correction was 53K275
19	Stud—tachometer drive spindle housing	53K2171	16	2			
20	Stud—main bearing	51K894	17	6			
21	Cap—main bearing (front)	N.S.P.		1			
22	Cap—main bearing (centre)	N.S.P.		1			
23	Cap—main bearing (rear)	N.S.P.		1			
24	Washer—spring—main bearing stud	LWN208	21	6			Part No. change was 2K5897
25	Nut—main bearing stud	LNN208	22	6			
26	Liner—camshaft bearing	8G2176	23	1 set			
27	Joint—front and rear main bearing cap	1H353	24	2			
28	Dowel—gearbox mounting plate	1G752	25	2	1K51		For 1G752 use 1K51 for this application
29	Tap—cylinder block drain	3H576	31	1			
30	Washer—drain tap	2K4954	32	1			] Alternatives
31	Washer—drain tap	2K4975		1			

SERVICE PARTS LIST

THE MGA 1600

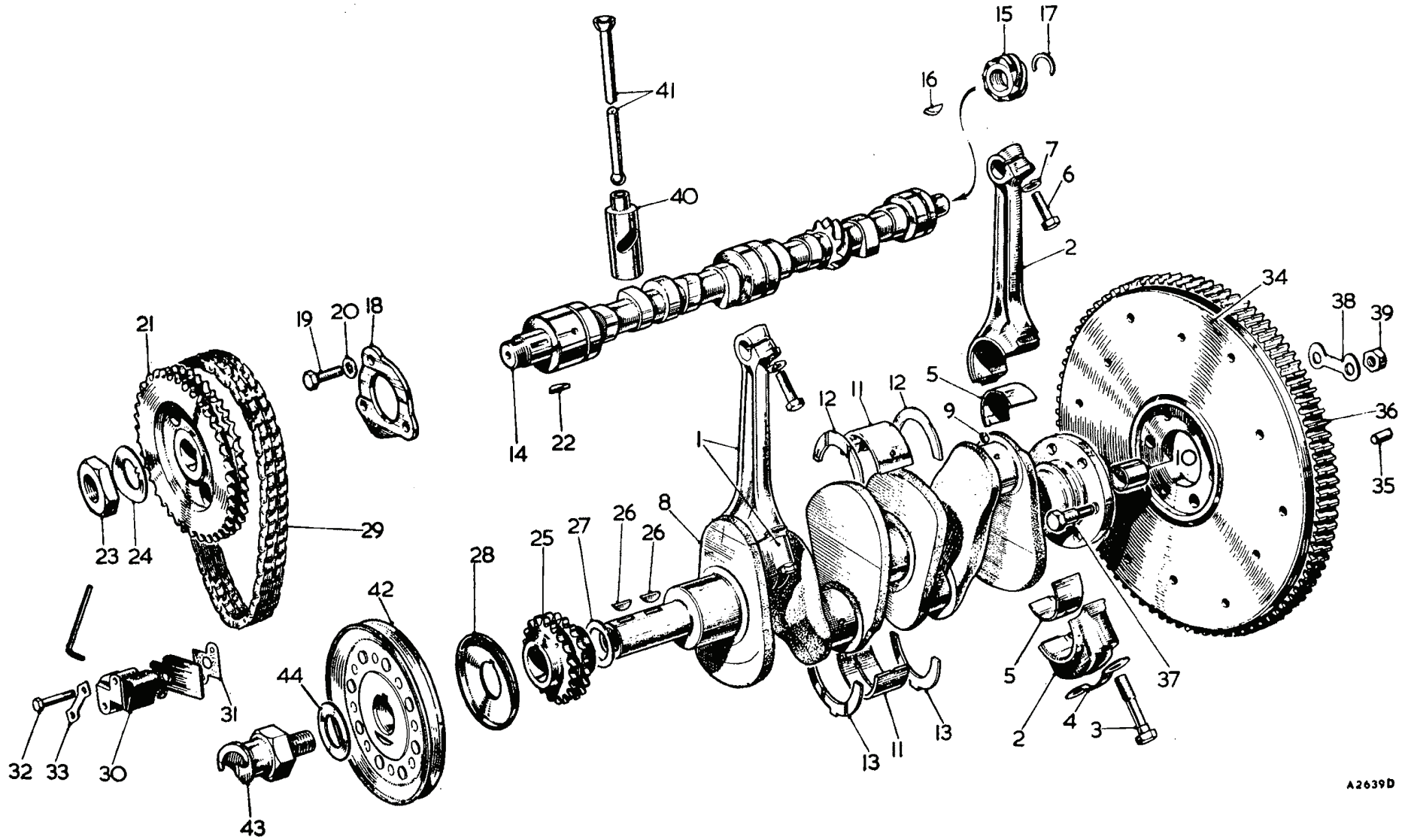
Item No.	DESCRIPTION	Commencing (E) 16GC/H101		Quantity	MODIFICATIONS		REMARKS
		Part Number	Illus. No.		New Part Number	Change Point	
<b>Engine Unit—continued</b>							
1	Piston assembly—standard—grade 3	12H043703	26	4			
2	Piston assembly—standard—grade 6	12H043706		4			
3	Piston assembly ·010" (.254 mm.) o/s grade 3	12H043713		4			
4	Piston assembly ·010" (.254 mm.) o/s grade 6	12H043716		4			
5	Piston assembly ·020" (.508 mm.) o/s grade 3	12H043723		4			
6	Piston assembly ·020" (.508 mm.) o/s grade 6	12H043726		4			
7	Piston assembly ·030" (.762 mm.) o/s grade 3	12H043733		4			
8	Piston assembly ·030" (.762 mm.) o/s grade 6	12H043736		4			
9	Piston assembly ·040" (1.016 mm.) o/s grade 3	12H043743		4			
10	Piston assembly ·040" (1.016 mm.) o/s grade 6	12H043746		4			
11	Piston assembly—standard	12H525		4		Fin. (E) 16GS/L126	Not available; use 12H045503 or 12H045506 in sets
12	Piston assembly—standard—grade 3			4	12H045503	Com. (E) 16GC/L127	
13	Piston assembly—standard—grade 6			4	12H045506		
14	Piston assembly ·010" (.254 mm.) o/s grade 3	12H045513		4			
15	Piston assembly ·010" (.254 mm.) o/s grade 6	12H045516		4			
16	Piston assembly ·020" (.508 mm.) o/s grade 3	12H045523		4			
17	Piston assembly ·020" (.508 mm.) o/s grade 6	12H045526		4			
18	Piston assembly ·030" (.762 mm.) o/s grade 3	12H045533		4			
19	Piston assembly ·030" (.762 mm.) o/s grade 6	12H045536		4			
20	Piston assembly ·040" (1.016 mm.) o/s grade 3	12H046643		4			
21	Piston assembly ·040" (1.016 mm.) o/s grade 6	12H045546		4			
22	Ring—compression—top (standard)	12H439	27	4			
23	Ring—compression—top ·010" (.254 mm.) o/s	12H043910		4			
24	Ring—compression—top ·020" (.508 mm.) o/s	12H043920		4			
25	Ring—compression—top ·030" (.762 mm.) o/s	12H043930		4			
26	Ring—compression—top ·040" (1.016 mm.) o/s	12H043940		4			
27	Ring—compression—2nd and 3rd (standard)	12H440	28	8			
28	Ring—compression—2nd and 3rd ·010" (.254 mm.) o/s	12H044010		8			
29	Ring—compression—2nd and 3rd ·020" (.508 mm.) o/s	12H044020		8			
30	Ring—compression—2nd and 3rd ·030" (.762 mm.) o/s	12H044030		8			
31	Ring—compression—2nd and 3rd ·040" (1.016 mm.) o/s	12H044040		8			
32	Ring—scraper (standard)	12H441	29	4	12H855		12H441, 12H044110, /20/30/40 not available; use 12H855, 12H085510/20/30/40
33	Ring—scraper ·010" (.254 mm.) o/s	12H044110		4	12H085510		
34	Ring—scraper ·020" (.508 mm.) o/s	12H044120		4	12H085520		
35	Ring—scraper ·030" (.762 mm.) o/s	12H044130		4	12H085530		
36	Ring—scraper ·040" (1.016 mm.) o/s	12H044140		4	12H085540		
37	Pin—gudgeon (standard)	12H442	30	4			
38	Pin—gudgeon ·002" (.0508 mm.) o/s	12H044202		4			
39	Pin—gudgeon ·004" (.1016 mm.) o/s	12H044204		4			
40	Pin—gudgeon ·006" (.1524 mm.) o/s	12H044206		4			

To facilitate the ordering of pistons the grade has been included in the part number and it is important that the new part number is always quoted.

SERVICE PARTS LIST

THE MGA 1600

Item No.	DESCRIPTION	Commencing (E) 16GC/H101		Quantity	MODIFICATIONS		REMARKS
		Part Number	Illus. No.		New Part Number	Change Point	
	<b>ENGINE MOUNTING PLATE</b>						
1	Plate—engine mounting	11G96	33	1	12H1387		11G96 not available; use 12H1387
2	Joint washer—mounting plate	11G97	34	1			
3	Screw—mounting plate to crankcase	HZS0506	35	3			
4	Washer—spring—screw	2K5319	36	3	LWN305		2K5319 not available; use LWN305
5	Bolt—engine mounting bracket to plate R/H top	HZS0508		1			
6	Nut—bolt	FNZ105		1			



A2639D



SERVICE PARTS LIST

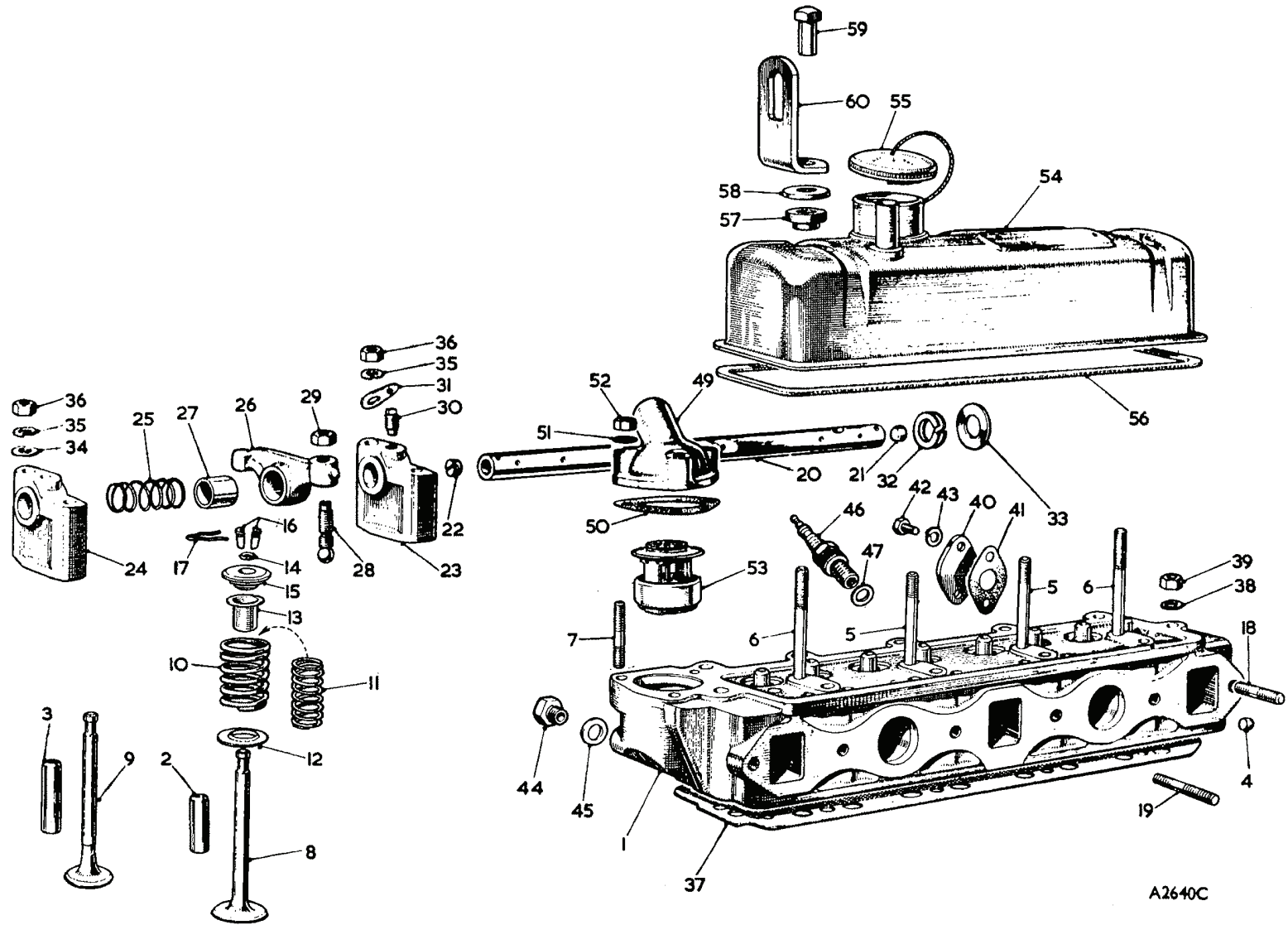
THE MGA 1600

Item No.	DESCRIPTION	Commencing (E) 16GC/H101		Quantity	MODIFICATIONS		REMARKS
		Part Number	Illus. No.		New Part Number	Change Point	
<b>CONNECTING ROD AND BEARINGS</b>							
1	Connecting rod and cap nos. 1 and 3 cylinders	12H426	1	2			
2	Connecting rod and cap nos. 2 and 4 cylinders	12H424	2	2			
3	Screw—cap	51K1388	3	8			
4	Washer—lock—screw	6K881	4	4			
5	<b>Bearing—connecting rod—big end (standard)</b>	8G2285	5	1 set			
6	Bearing—connecting rod—big end .010" (.254 mm.) u/s	8G228510		1 set			
7	Bearing—connecting rod—big end .020" (.508 mm.) u/s	8G228520		1 set			
8	Bearing—connecting rod—big end .030" (.762 mm.) u/s	8G228530		1 set			
9	Bearing—connecting rod—big end .040" (1.016 mm.) u/s	8G228540		1 set			
10	Screw—clamping	51K1774	6	4			
11	Washer—spring—screw	2K5319	7	4	LWN305		2K5319 not available; use LWN305
<b>CRANKSHAFT AND CAMSHAFT</b>							
12	<b>Crankshaft</b>	12H428	8	1			
13	Restrictor—oil	11G1167	9	4			
14	Bush—1st motion shaft	1G765	10	1			
15	Crankshaft with bearings (reground)	48G226		1	48G258		48G226 not available; use LWN305
16	<b>Bearing—main (standard)</b>	8G2323	11	1 set			
17	Bearing—main .010" (.254 mm.) u/s	8G232310		1 set	8G233510		8G232310 not available; use 8G233510
18	Bearing—main .020" (.508 mm.) u/s	8G232320		1 set			
19	Bearing—main .030" (.762 mm.) u/s	8G232330		1 set	8G233530		8G232330 not available; use 8G233530
20	Bearing—main .040" (1.016 mm.) u/s	8G232340		1 set	8G233540		8G232340 not available; use 8G233540
21	Washer—thrust (upper) (standard)	1G2331	12	2			
22	Washer—thrust (upper) .003" (.0762 mm.) o/s	1G233103		2			
23	Washer—thrust (lower) (standard)	1G2332	13	2			
24	Washer—thrust (lower) .003" (.0762 mm.) o/s	1G233203		2			
25	<b>Camshaft</b>	88G252	14	1			Part No. change; was 1H729 and 1H1435
26	<b>Gear—tachometer drive</b>	1H730	15	1			
27	Key—tachometer gear	WKN304	16	1			
28	Spring ring—tachometer gear	1H605	17	1			
29	Plate—camshaft locating	11G136	18	1			
30	Screw—locating plate to crankcase	HNS0406	19	3			
31	Washer—shakeproof—screw	LWN404	20	3			
32	<b>Gear—camshaft</b>	11G203	21	1			
33	Key—camshaft gear	WKN505	22	1			
34	Nut—camshaft gear	6K629	23	1			
35	Washer—lock—nut	2A759	24	1			

SERVICE PARTS LIST

THE MGA 1600

Item No.	DESCRIPTION	Commencing (E) 16GC/H101		Quantity	MODIFICATIONS		REMARKS
		Part Number	Illus. No.		New Part Number	Change Point	
	<b>Crankshaft and Camshaft—continued</b>						
1	<b>Gear—crankshaft</b> .....	1A2028	25	1			
2	Key—crankshaft gear and pulley .....	2H326	26	2			
3	Washer—packing .....	2K6633	27	A/R			
4	Thrower—oil—crankshaft front .....	1A1546	28	1	12H775	Com. (E) 16GC/8263	
5	Chain—timing .....	2H4905	29	1			
6	Tensioner assembly—chain .....	17H343	1	1			Not available; use component parts
7	Tensioner assembly .....	17H6680	1	1			
8	Slipper head .....	17H31	1	1			
9	Key—Allen .....	17H6679	1	1			Service purposes only
10	Joint washer—tensioner .....	AEC339	31	1			
11	Screw—tensioner to crankcase .....	HB3N0412	32	2			
12	Washer—lock—screw .....	AEC340	33	1			
13	Bolt—flywheel to crankshaft .....	51K1022	37	6			
14	Washer—lock—bolt .....	6K26	38	3			
15	Nut—bolt .....	FNZ506	39	6			
	<b>FLYWHEEL</b>						
16	<b>Flywheel with starter ring gear and dowels</b> .....	1H651	34	1	12H587	Com. (E) 16GC/3708	
17	Dowel—clutch to flywheel .....	1G2984	35	2			
18	Ring gear—starting <b>Not U.K.</b> .....	1G2874	36	1			
	<b>TAPPETS AND PUSH-RODS</b>						
19	<b>Tappet (standard)</b> .....	1H822	40	8			
20	Tappet .010" (.254 mm.) o/s .....	1H082210		8			
21	Tappet .020" (.508 mm.) o/s .....	1H082220		8			
22	<b>Push-rod</b> .....	11G241	41	8			] Alternative's
23	<b>Push-rod</b> .....	12H1306					
	<b>CRANKSHAFT PULLEY</b>						
24	<b>Pulley—crankshaft</b> .....	11G81	42	1	12H773	Com. (E) 16GC/8263	
25	Nut—starting .....	1H765	43	1			
26	Washer—lock—starting nut .....	1G1319	44	1			





SERVICE PARTS LIST

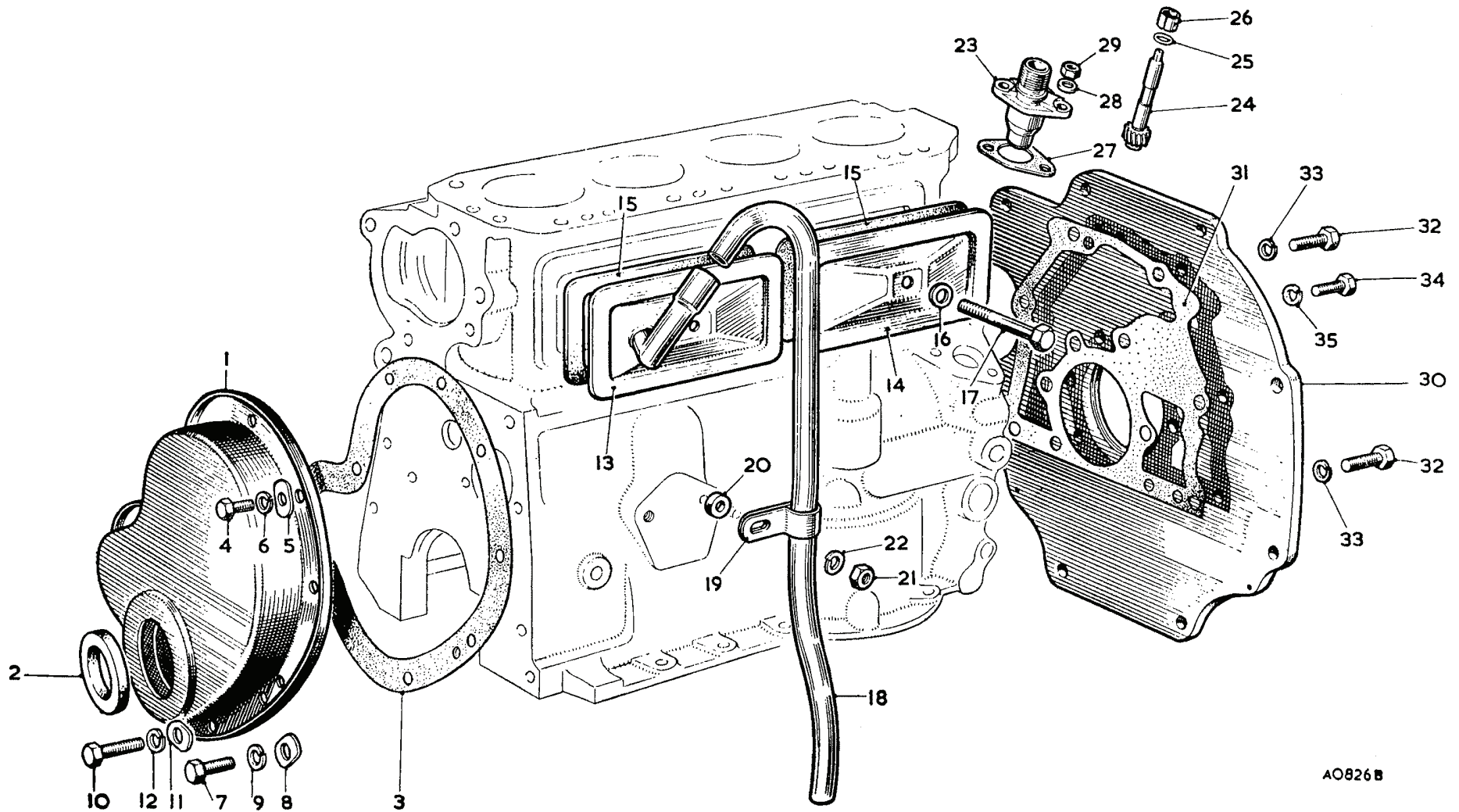
THE MGA 1600

Item No.	DESCRIPTION	Commencing (E) 16GC/H101		Quantity	MODIFICATIONS		REMARKS
		Part Number	Illus. No.		New Part Number	Change Point	
	<b>CYLINDER HEAD—VALVES—GUIDES— SPRINGS—ROCKERS</b>						
1	Cylinder head assembly (less rocker gear)	48G216		1			Not available; use component parts
2	Cylinder head with valve guides	48G215	1	1			
3	Guide—inlet valve	12H484	2	4			
4	Guide—exhaust valve	11G193	3	4			
5	Plug—oil hole	6K872	4	1			
6	Stud—rocker bracket (short)	51K881	5	2			
7	Stud—rocker bracket (long)	51K893	6	2			
8	Stud—water outlet elbow	53K531	7	3			
9	Valve—inlet	12H435	8	4			
10	Valve—exhaust	12H436	9	4			
11	Spring—valve (outer)	6K873	10	8			
12	Spring—valve (inner)	1H723	11	8			
13	Collar—valve spring	1H1321	12	8			
14	Shroud—valve guide	1H1320	13	8			
15	Ring—valve packing	AEK113	14	8			
16	Cup—valve spring	1H1319	15	8			
17	Cotter—valve (halves)	1K800	16	16			
18	Circlip—valve cotter	1K372	17	8			
19	Stud—exhaust manifold to cylinder head	FHS2513	18	2			
20	Stud—inlet and exhaust manifold to cylinder head	53K490	19	4			
21	Shaft assembly—valve rocker	1G2522		1			
22	Shaft—valve rocker (plugged)	11G62	20	1			
23	Plug—valve rocker (plain)	6K878	21	1			
24	Plug—valve rocker (screwed)	2K4608	22	1			
25	Bracket—rocker shaft (tapped)	12H339	23	1			
26	Bracket—rocker shaft (plain)	12H390	24	3			
27	Spring—rocker spacing	6K871	25	3			
28	Rocker—valve—bushed	11G45	26	8			
29	Bush—valve rocker	1G2295	27	8			
30	Rivet—valve rocker	5C2436		8			
31	Screw—tappet adjusting	48G207	28	8			
32	Nut—tappet adjusting screw (lock)	51K1178	29	8			
33	Screw—rocker shaft locating	2A258	30	1			
34	Plate—locating screw (lock)	2A259	31	1			
35	Washer—spring—rocker shaft	1A2139	32	2			
36	Washer—rocker shaft	2K6804	33	2			
37	Washer—plain—rocker bracket stud	PWN105	34	3			
38	Washer—spring—rocker bracket stud	2K5319	35	4	LWN305		2K5319 not available; use LWN305
39	Nut—rocker bracket stud	FNN105	36	4			
40	Joint—cylinder head	12H433	37	1			
41	Washer—plain—cylinder head stud	PWN106	38	11			
42	Nut—cylinder head stud	53K371	39	11	51K371		Not available use 51K371

SERVICE PARTS LIST

THE MGA 1600

Item No.	DESCRIPTION	Commencing (E) 16GC/H101		Quantity	MODIFICATIONS		REMARKS
		Part Number	Illus. No.		New Part Number	Change Point	
	<b>Cylinder Head—Valves—Guides—Springs—Rockers—continued</b>						
1	Plate - heater outlet elbow blanking .....	1G1282	40	1			
2	Joint washer—blanking plate .....	1G2342	41	1			
3	Screw -plate to cylinder head .....	1ZS0404	42	2			
4	Washer -spring—screw .....	1WN304	43	2			
5	Plug—thermal transmitter boss .....	1G2953	44	1			
6	Washer—plug .....	1B3664	45	1			
	<b>SPARKING PLUGS</b>						
7	Plug—sparking .....	3H2006	46	4			
8	Gasket for plug .....	88G219	47	4			Part No. change; was 11G145 and 2K5211
	<b>WATER OUTLET ELBOW—THERMOSTAT</b>						
9	Elbow—water outlet .....	1W727	49	1			
10	Joint—elbow to cylinder head .....	12A29	50	1			
11	Washer—plain—stud in cylinder head .....	PWZ105	51	3			
12	Nut stud .....	FNZ105	52	3			
13	Thermostat .....	11K399	53	1			
	<b>VALVE ROCKER COVER—OIL FILLER</b>						
14	Cover—valve rocker .....	1111339	54	1			
15	Cap and cable—oil filler .....	8G612	55	1			
16	Joint—cover .....	12H37	56	1			
17	Bracket—engine sling .....	2A329	60	2			
18	Bush—cover (rubber) .....	2K8568	57	2			
19	Washer—cup - nut .....	1A2156	58	2			
20	Nut—cover .....	2A150	59	2			

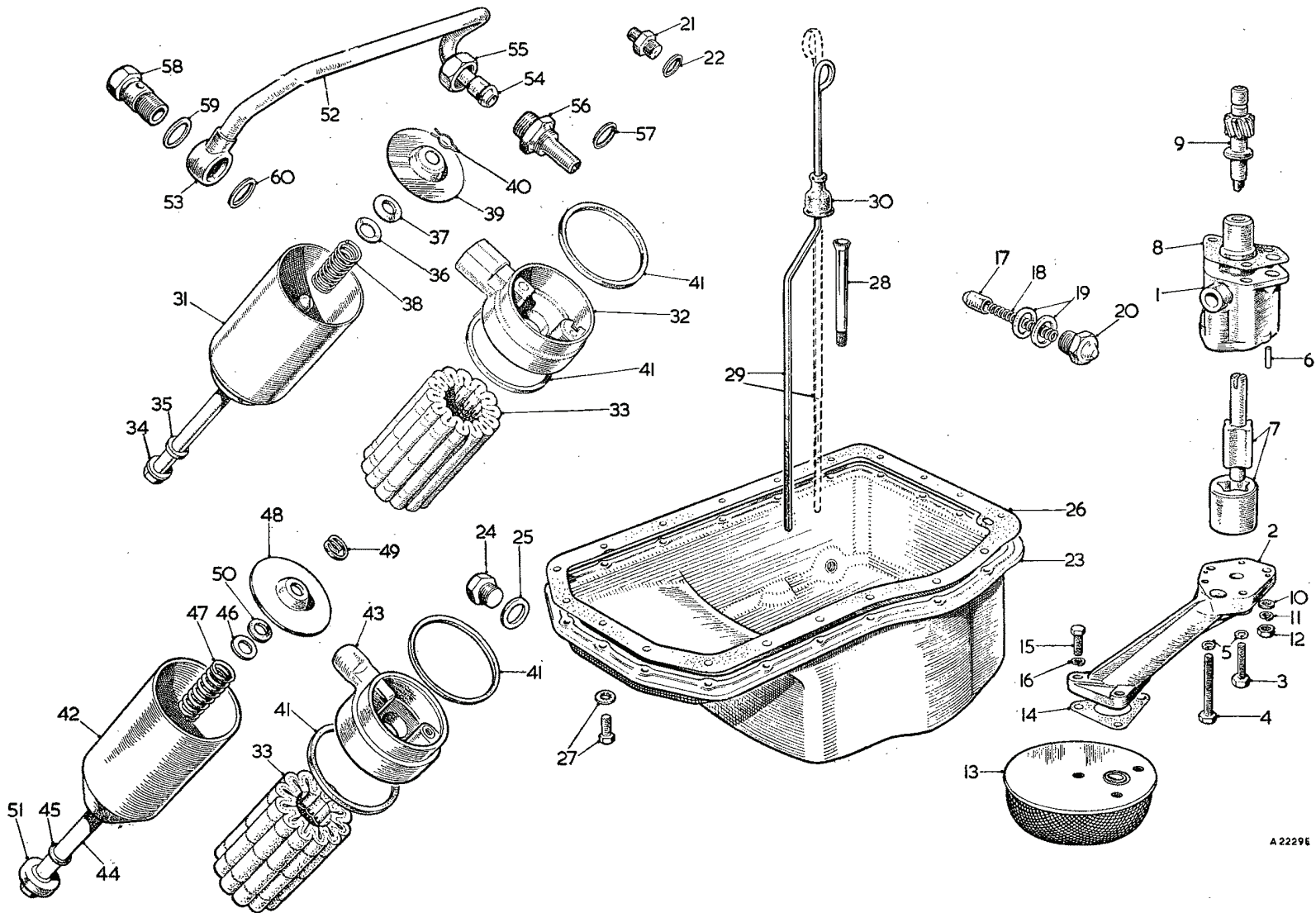


AO826B

SERVICE PARTS LIST

THE MGA 1600

Item No.	DESCRIPTION	Commencing (E) 16GC/H101		Quantity	MODIFICATIONS		REMARKS
		Part Number	Illus. No.		New Part Number	Change Point	
<b>CYLINDER, FRONT AND SIDE COVERS</b>							
1	Cover—front (with oil catcher and felt) .....	11G93	1	1			
2	Ring—crankcase front cover (felt) .....	2K7140	2	1		Fin. (E) 16GC/8262	
3	Cover—front .....			1	12H771	Com. (E) 16GC/8263	
4	Seal—oil (rubber) .....			1	2A939		
5	Joint—front cover .....	11G95	3	1			
6	Screw—front cover to front plate .....	HZS0403	4	3			
7	Washer—plain—screw .....	2K5197	5	3			
8	Washer—spring—screw .....	LWN204	6	3			
9	Screw—front cover to mounting plate and crankcase .....	HZS0506	7	4			
10	Washer—plain—screw .....	2K7440	8	4			
11	Washer—spring—for screw .....	LWN205	9	4			
12	Screw—front cover to bearing cap .....	HZS0406	10	2			
13	Washer—plain—screw .....	2K5197	11	2			
14	Washer—spring—screw .....	LWN204	12	2			
15	Cover—cylinder side—front (with elbow) .....	12H156	13	1	12H950		12H156 not available; use 12H950
16	Cover—cylinder side—rear .....	12H152	14	1	12H941		12H152 not available; use 12H941
17	Joint—rear cover .....	12A24	15	2			
18	Screw—side cover to crankcase .....	HBZ0513	17	2			
19	Washer—plain—screw .....	2K4958	16	2			
20	Pipe—crankcase vent .....	1H871	18	1			
21	Clip—pipe .....	1G2602	19	1	12H981		1G2602 not available; use 12H981
22	Distance piece—clip to crankcase .....	1H840	20	1			
23	Nut—stud—pipe to crankcase .....	FNZ105	21	1			
24	Washer—spring—nut .....	LWZ205	22	1			
<b>TACHOMETER DRIVE</b>							
25	Housing—tachometer drive pinion .....	1H591	23	1			
26	Pinion—tachometer drive .....	1H721	24	1			
27	Oil seal—pinion .....	1G2398	25	1			
28	Ring—oil seal retaining .....	1G2399	26	1			
29	Joint—tachometer pinion housing .....	1G2401	27	1			
30	Washer—plain—tachometer housing stud .....	PWZ105	28	2			
31	Nut—stud .....	FNZ105	29	2			
<b>GEARBOX MOUNTING PLATE</b>							
32	Plate—gearbox mounting .....	1H821	30	1			
33	Joint—mounting plate to crankcase .....	1G2425	31	1			
34	Screw—mounting plate to crankcase .....	53K1777	32	8			
35	Washer—spring—screw .....	LWZ306	33	8			
36	Screw—mounting plate to crankcase .....	53K1776	34	4			
37	Washer—spring—screw .....	LWZ305	35	4			



A 22296



SERVICE PARTS LIST

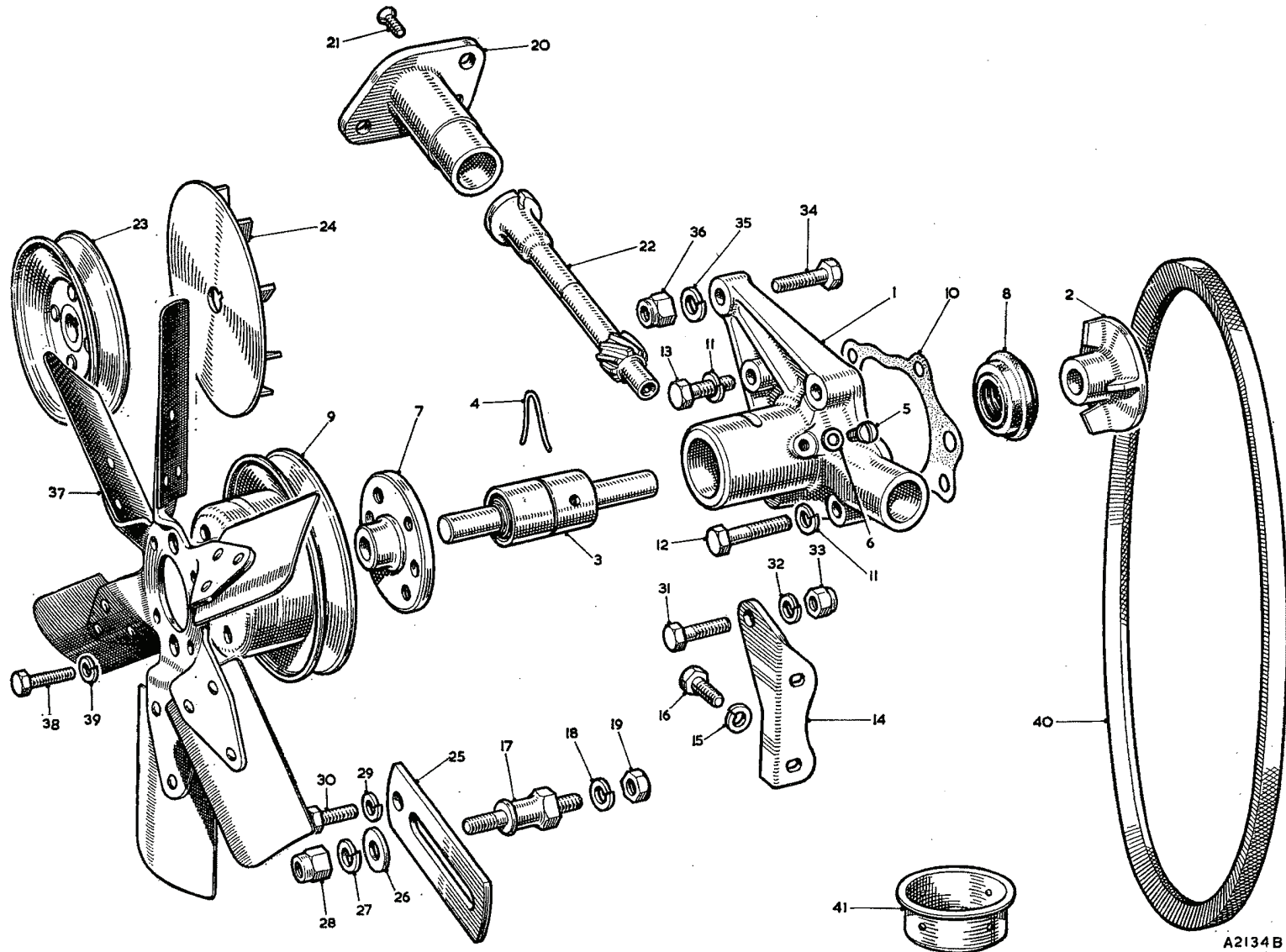
THE MGA 1600

Item No.	DESCRIPTION	Commencing (E) 16GC/11101		Quantity	MODIFICATIONS		REMARKS
		Part Number	Illus. No.		New Part Number	Change Point	
	<b>OIL PUMP—STRAINER—RELEASE VALVE</b>						
1	<b>Pump assembly—oil</b> .....	88G296		1			
2	Body with plug .....	N.S.P.	1	1			
3	Cover .....	17H1712	2	1			
4	Screw—cover (short) .....	HNS0408	3	1			
5	Screw—cover (long) .....	HNS0414	4	1			
6	Washer—spring—screw .....	LWN204	5	2			
7	Dowel .....	7H1793	6	2			
8	<b>Shaft—driving (with rotors)</b> .....	7H1792	7	1			
9	Joint—pump to crankcase .....	11G10	8	1			
10	Spindle—oil pump driving .....	11G12	9	1			
11	Washer—plain—stud .....	PWN105	10	3			
12	Washer—spring—stud .....	2K5319	11	3	LWN305		2K5319 not available; use LWN305
13	Nut—stud—oil pump to crankcase .....	PNN105	12	3			
14	<b>Strainer—oil</b> .....	12H398	13	1	12H984		12H398 not available; use 12H984
15	Joint washer—strainer to pump .....	1H1198	14	1			
16	Bolt—oil strainer to pump .....	HNS0407	15	3			
17	Washer—spring—bolt .....	LWN304	16	3			
18	<b>Valve—oil release</b> .....	1G1452	17	1			
19	Spring—oil release valve .....	11H756	18	1			
20	Washer—cap nut .....	2K4982	19	2			
21	Nut—cap—oil release valve .....	1A2206	20	1			
22	Union—oil pressure .....	11G15	21	1			
23	Washer—union .....	6K638	22	1			

SERVICE PARTS LIST

THE MGA 1600

Item No.	DESCRIPTION	Commencing (E) 16GC/H101		Quantity	MODIFICATIONS		REMARKS
		Part Number	Illus. No.		New Part Number	Change Point	
	<b>OIL RESERVOIR—DIPPER ROD</b>						
1	Reservoir—oil .....	12H395	23	1			
2	Plug—drain .....	88G257	24	1			Part No. change; was 2F4249 and 2A380
3	Washer—drain plug .....	6K638	25	1			
4	Joint—reservoir to crankcase .....	12H397	26	1	88G256		12H397 not available; use 37H996
5	Screw with captive washer—reservoir to crankcase .....	6K639	27	10			Not available; use HZS0404 with LWZ404
6	Screw—reservoir to crankcase .....	HZS0404		19			
7	Washer—screw (shakeproof) .....	LWZ404		19			
8	Tube—oil dipper rod .....	1B1063	28	1			
9	Rod—oil level indicator .....	12H74	29	1			
10	Cover—oil level indicator (dust) .....	1B1735	30	1			
	<b>OIL FILTER AND PIPE</b>						
11	Filter assembly—oil (Tecalemit) .....	N.S.P.		1			Was 1H1067
12	Container .....	1H1069	31	1			
13	Head assembly .....	1H1068	32	1			
14	Element .....	8G683	33	1			
15	Bolt—centre .....	7H1965	34	1			
16	Washer—sealing .....	7H1948	35	1			
17	Washer (steel) .....	7H1969	36	1			
18	Washer—felt .....	7H1968	37	1			
19	Spring .....	7H1764	38	1			
20	Plate—pressure .....	17H846	39	1			
21	Circlip .....	7H1952	40	1			
22	Joint ring—body to filter head and crankcase .....	8G619	41	2			
23	Filter assembly—oil (Purolator) .....	N.S.P.		1			Was 1H1051
24	Body assembly .....	1H1053	42	1			
25	Head assembly .....	1H1052	43	1			
26	Element .....	8G683	33	1			
27	Bolt—centre .....	17H1558	44	1			
28	Ring—sealing .....	17H1556	45	1			
29	Washer—filter .....	17H1448	46	1			
30	Spring .....	17H1449	47	1			
31	Plate—pressure .....	17H1446	48	1			
32	Circlip .....	17H1557	49	1	37H996	Com. (E) not available	17H1557 not available; use 37H996
33	Joint ring—body to filter head and crankcase .....	8G619	41	2			
34	Seal .....	17H1447	50	1			
35	Collar—centre bolt .....	17H1559	51	1			
36	Pipe assembly—filter to crankcase .....	1H1056	52	1			
37	Banjo union .....	1K2141	53	1			
38	Nipple—pipe .....	2K5163	54	1			
39	Nut—nipple .....	2K5164	55	1			
40	Adaptor—full flow filter connection .....	1H922	56	1			
41	Joint washer—adaptor .....	6K501	57	1			
42	Screw—banjo union .....	1K2142	58	1			
43	Washer—screw (outer) .....	1H898	59	1			
44	Washer—screw (inner) .....	6K501	60	1			



A2134 B

SERVICE PARTS LIST

THE MGA 1600

Item No.	DESCRIPTION	Commencing (E) 16GC/H101		Quantity	MODIFICATIONS		REMARKS
		Part Number	Illus. No.		New Part Number	Change Point	
	<b>WATER PUMP AND PULLEY</b>						
1	<b>Pump assembly—water (with hub less pulley)</b> .....	1H1149	1	1	12H839		1H1149 not available; use 12H839
2	Body .....	N.S.P.	1	1			was 1H1151
3	Vane .....	1H1152	2	1			
4	<b>Bearing (with spindle)</b> .....	1H1153	3	1			
5	Wire—bearing locating .....	2A778	4	1			
6	Screw—lubricating point .....	53K1433	5	1			
7	Washer—screw (fibre) .....	2K4974	6	1			
8	Hub—pulley .....	8G724	7	1			Part No. change; was 1H1154
9	Seal—water pump .....	8G698	8	1	13H772		8G698 not available; use 13H772
10	Pulley—fan and water pump .....	11G200	9	1	8G742		11G200 not available; use 8G742
11	Joint—pump to crankcase .....	1G2302	10	1			
12	Washer—spring—screw .....	2K5319	11	4	LWN305		2K5319 not available; use LWN305
13	Screw—pump to crankshaft (long) .....	HBZ0512	12	2			
14	Screw—pump to crankshaft (short) .....	HZS0509	13	2			
	<b>DYNAMO AND DISTRIBUTOR MOUNTING</b>						
15	Bracket—dynamo—rear .....	2A758	14	1	12A526		2A758 not available; use 12A526
16	Washer—spring—for screw .....	2K5319	15	2			
17	Screw—bracket to crankshaft .....	HZS0506	16	2			
18	Pillar—dynamo adjusting link .....	2A128	17	1			
19	Washer—spring—pillar .....	LWN306	18	1			
20	Nut—dynamo pillar .....	FNZ506	19	1			
21	<b>Housing—distributor</b> .....	1G2285	20	1			
22	Screw—housing to crankcase .....	53K1206	21	1			
23	<b>Spindle—distributor driving</b> .....	2A139	22	1			] Alternatives not available; use 1G2062
24	Spindle—distributor driving .....	2A847		1			
25	Spindle—distributor driving .....			1	1G2062		

SERVICE PARTS LIST

THE MGA 1600

Item No.	DESCRIPTION	Commencing (E) 16GC/H101		Quantity	MODIFICATIONS		REMARKS
		Part Number	Illus. No.		New Part Number	Change Point	
	<b>Dynamo and distributor mounting—continued</b>						
1	Pulley—dynamo .....	12H71	23	1	12H1178		12H71 not available; use 12H1178
2	Fan—dynamo .....	17D11	24	1			
3	Link—dynamo adjusting .....	2A497	25	1	12H67		2A497 not available; use 12H67
4	Washer—plain—nut .....	PWN106	26	1			Part No. change was 2K9932
5	Washer—spring—nut .....	LWZ306	27	1			
6	Nut—adjusting link .....	LNZ206	28	1			
7	Screw—adjusting link to pillar .....	ZCS0505	30	1			
8	Washer—spring—screw .....	2K5319	29	1	LWN305		2K5319 not available; use LWN305
9	Bolt—dynamo to mounting bracket .....	HZS0509	31	1			
10	Washer—spring—screw .....	2K5319	32	1	LWN305		2K5319 not available; use LWN305
11	Nut—bolt .....	LNZ205	33	1			
12	Bolt—dynamo to water pump .....	HBZ0514	34	1			
13	Washer—spring—bolt .....	2K5319	35	1	LWN305		2K5319 not available; use LWN305
14	Nut—bolt .....	LNZ205	36	1			





SERVICE PARTS LIST

THE MGA 1600

Item No.	DESCRIPTION	Commencing (E) 10GC/H101		Quantity	MODIFICATIONS		REMARKS
		Part Number	Illus. No.		New Part Number	Change Point	
<b>ENGINE SERVICE KITS</b>							
1	<b>Joint set—decarbonising</b> .....	48G220		1			
2	Joint—cylinder head .....			1			
3	Joint—manifold .....			1			
4	Joint—valve rocker cover .....			1			
5	Ring—valve packing (rubber) .....			8			
6	Joint—water outlet elbow .....			1			
7	Joint—carburetter and heat shield .....			6			
8	Joint—heater outlet blanking plate .....			1			
9	Joint—air cleaner to carburetter .....			2			
10	Joint set—supplementary .....	48G221		1	48G242		48G221 not available; Use with relevant joint set for complete use 48G242 engine
11	Ring—crankcase front cover (felt) .....	2K7140		1			
12	Joint—main bearing cap .....			2			
13	Joint—oil strainer to oil pump .....			1			
14	Joint—pump to crankcase .....			1			
15	Joint—oil reservoir .....			1			
16	Joint—cylinder side cover to crankcase .....			2			
17	Joint—water pump to crankcase .....			1			
18	Washer—drain plug .....			1			
19	Joint—gearbox mounting plate to crankcase .....			1			
20	Joint—oil filter to crankcase .....			1			
21	Joint—oil pipe adaptor .....			1			
22	Joint—front engine mounting plate .....			1			
23	Joint—front cover .....			1			
24	Joint—chain tensioner .....			1			
25	Washer—cylinder drain tap .....			1			
26	<b>Chain tensioner servicing kit</b> .....	17H341		1			
27	Spring .....			1			
28	Bottom plug .....			1			
29	Tab washer .....			1			
30	Cylinder .....			1			
31	<b>Kit—water pump repair</b> .....	8G2373		1			
32	Vane .....			1			
33	Hub .....			1			
34	Bearing (with spindle) .....			1			
35	Wire—bearing locating .....			1			
36	Screw—lubricating point .....			1			
37	Washer—screw (fibre) .....			1			
38	Seal .....			1			
39	Joint—pump to crankcase .....			1			