

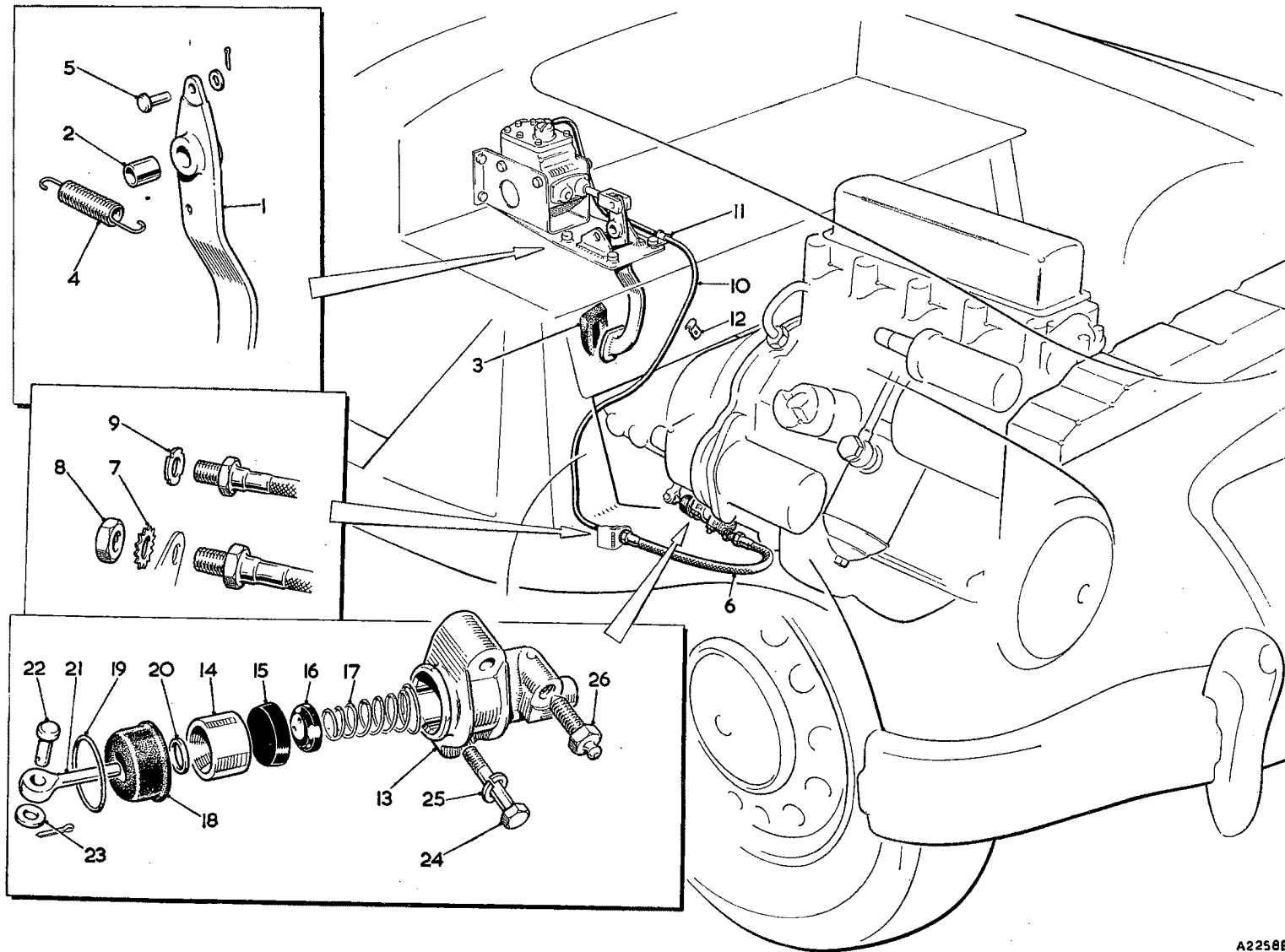
A2141B

To face page E.1

SERVICE PARTS LIST

THE MGA 1600

Item No.	DESCRIPTION	Commencing (E) 16GA/H101		Quantity	MODIFICATIONS		REMARKS
		Part Number	Illus. No.		New Part Number	Change Point	
	<b>CLUTCH</b>						
	<b>CLUTCH COMPONENTS</b>						
1	Clutch assembly	N.S.P.					
2	Cover assembly	22H12	1	1			Part No. change was 27H3145
3	Lever—release	7H3196	2	3			
4	Retainer—release lever	7G3001	3	3			
5	Pin—release lever	7H3067	4	3			
6	Spring—anti-rattle	7H3171	5	3			
7	Strut—release lever	7H3069	6	3			
8	Eyebolt	7H3197	7	3			
9	Nut	7H3193	8	3	17H2724		7H3193 not available; use 17H2724
10	Plate—release lever	7H3213	8	1			
11	Plate—pressure	7H3085	9	1			
12	Spring—thrust (light grey)	7H3169	10	6			
13	Plate assembly—driven	22H14	11	1		Fin. (E) 16GC/H3928 (less 3854)	Part No. change; was 27H3244
				1	12H579	] Com. (E) 16GC/H3929 plus 3854	Not available, use 18H2020
				1	18H2020		
14	Lining and rivets	8G8348		1 set			
15	Rivet	7H3078		22			
16	Bearing assembly—release	7H3214	12	1			
17	Ring—carbon	7H3277	13	1			
18	Retainer—bearing	7H3048	14	2			
19	Screw—clutch to flywheel	HZS0507	15	6			
20	Washer—spring—screw	LWN305	16	6			2K5319 not available; use LWN305

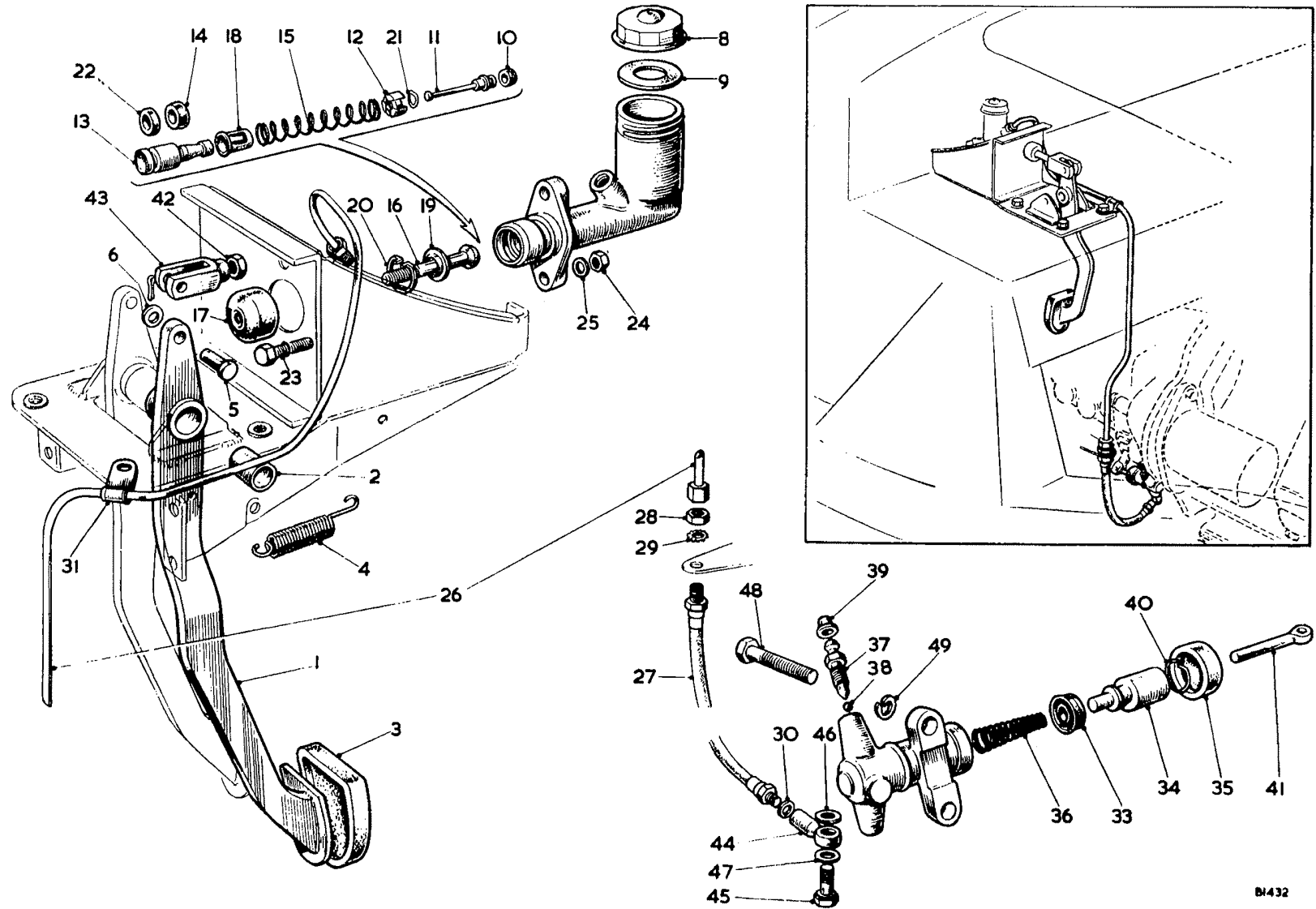


A22588

SERVICE PARTS LIST

THE MGA 1600

Item No.	DESCRIPTION	Commencing (C) 68851		Quantity	MODIFICATIONS		REMARKS
		Part Number	Illus. No.		New Part Number	Change Point	
	<b>CLUTCH CONTROLS STANDARD MODEL CLUTCH PEDAL AND LINKAGE</b>						
1	Pedal—clutch ..... <b>R.H.D.</b>	AHH5841	1	1			
2	Pedal—clutch ..... <b>L.H.D.</b>	AHH5842	1	1			
3	Bush .....	AAA4129	2	1			Part No. change; was 185794
4	Pad—pedal (rubber) .....	AHH5100	3	1			
5	Spring—pull off—pedal .....	AAA1628	4	1			Part No. change; was 130154
6	Pin—clevis—clutch pedal .....	CLZ0512	5	1			
7	Hose—clutch .....	ACC5509	6	1			Part No. change; was 7H7857
8	Washer hose .....	LWN510	7	1			
9	Locknut hose .....	2K8686	8	1			
10	Joint—clutch hose .....	3H550	9	1			
11	Pipe—master cylinder to clutch hose ..... <b>R.H.D.</b>	AJD276	10	1			
12	Pipe—master cylinder to clutch hose ..... <b>L.H.D.</b>	AJD118	11	1			
13	Clip pipe .....	PCR0411	11	1			
14	Clip—pipe to bulkhead ..... <b>L.H.D.</b>	PCR0400	12	2			
	<b>MASTER CYLINDER ASSEMBLY</b>						
15	Cylinder assembly—clutch master .....						See Page M.3.
	<b>CLUTCH OPERATING CYLINDER</b>						
16	Cylinder assembly .....	7117974		1			Not available; use BMK192 with rod 13H21
17	Cylinder assembly .....	BMK192		1			
18	Body .....	7H7983	13	1			
19	Piston .....	7H7003	14	1			
20	Cup—piston .....	7H7004	15	1			
21	Filler—piston cup .....	7H7560	16	1			
22	Spring—cup filler .....	7H7959	17	1			
23	Boot .....	7H7957	18	1			
24	Clip—boot (large) .....	7H7956	19	1			
25	Clip—boot (small) .....	7H7958	20	1			
26	Rod—push .....	7H7954	21	1	131121		7117954 not available; use 131121
27	Pin—clevis—cylinder to clutch fork .....	CLZ0517	22	1			
28	Washer—plain—clevis pin .....	PWZ105	23	1			
29	Bolt—cylinder to gearbox .....	HCZ0615	24	2			Part No. change; was AC118483
30	Washer—spring—bolt .....	LWZ206	25	2			
31	Screw—bleeder .....	3H554	26	1			
32	Kit—clutch operating cylinder repair .....	8G8420		1			Part No. change; was 17117052
33	Cup—piston .....			1			
34	Boot .....			1			



B1432

SERVICE PARTS LIST

THE MGA 1600

Item No.	DESCRIPTION	Commencing (C) 68851		Quantity	MODIFICATIONS		REMARKS
		Part Number	Illus. No.		New Part Number	Change Point	
<b>CLUTCH CONTROLS ALL ROUND DISC BRAKES MODEL CLUTCH PEDAL AND LINKAGE</b>							
1	Pedal—clutch	R.H.D.	1	1	AHH5694		
2	Pedal—clutch	L.H.D.		1	AHH5696		
3	Bush		2	1	AAA4129		
4	Pad—pedal (rubber)		3	1	AHH5100		Part No. change; was 185794
5	Spring—pull off—pedal		4	1	AAA1628		Part No. change; was 130154
6	Pin—clevis		5	1	CLZ0515		
7	Washer—plain—pin		6	1	PWZ105		
8	Hose—clutch		27	1	11B5086		
9	Washer—hose		29	1	LWN606		
10	Locknut—hose		28	1	FNN206		Part No. change; was BCA4092
11	Joint—clutch hose		30	1	3H876		
12	Pipe—master cylinder to clutch hose	R.H.D.	26	1	AHH5822		
13	Pipe—master cylinder to clutch hose	L.H.D.		1	AHH5824		
14	Clip pipe		31	1	PCR0411		
15	Clip—pipe to bulkhead	L.H.D.		2	PCR0409		
16	Clip—pipe to master cylinder base plate			1	PCR0811		
<b>CLUTCH MASTER CYLINDER</b>							
17	Cylinder assembly—clutch master			1	BHA4072		
18	Body			1	N.S.P.		
19	Cap—filler		8	1	17H4508	Com. (C) 91240	
20	Gasket		9	1	7H4726		
21	Seal—valve		10	1	17H4561		
22	Stem—valve		11	1	7H4751		
23	Spacer—valve		12	1	17H4132		
24	Plunger		13	1	17H4510 17H4755		Not available; use 17H4755 Not available; use 17H8113 together with 10FF 17H8112 seal
25	Seal—plunger		14	1	17H8113 7H4976		For use with 17H4510 and 17H4755 For use with 17H8113
26	Spring		15	1	17H8112 7H4944		
27	Push rod		16	1	17H4544		
28	Cover—dust		17	1	7H4757		
29	Retainer—spring		18	1	17H4827		
30	Washer—retaining		19	1	7H4756		
31	Circlip		20	1	7H4451		
32	Washer—spring		21	1	7H4752		
33	Seal—taper end		22	1	17H4509		

SERVICE PARTS LIST

THE MGA 1600

Item No.	DESCRIPTION	Commencing (C) 68851		Quantity	MODIFICATIONS		REMARKS
		Part Number	Illus. No.		New Part Number	Change Point	
	<b>Clutch Controls—All Round Disc Brakes Model—continued</b>						
	<b>Clutch Master Cylinder—continued</b>						
1	Bolt fixing cylinder.....		23	2	HZS0510	Com. (C) 91240	
2	Nut—bolt.....		24	2	LNZ205		
3	Washer—plain—nut.....		25	2	PWZ105		
4	Fork end—master cylinder push rod.....		43	1	FEZ105		
5	Locknut—end.....		42	1	FNZ205		
6	<b>Kit—clutch master cylinder repair</b> .....			1	8G8219		
7	Gasket—filler cap.....			1			
8	Seal—valve.....			1			
9	Seal—plunger.....			1			
10	Cover—dust.....			1			
11	Circlip.....			1			
12	Washer—spring.....			1			
13	Seal—taper end.....			1			
14	Grease—tube.....			1			
	<b>CLUTCH OPERATING CYLINDER</b>						
15	<b>Cylinder assembly</b> .....			1	BHA4073		
16	Body.....			1	N.S.P.		
17	Seal.....		33	1	17H4712		
18	Plunger.....		34	1	N.S.P.		
19	Cover—dust.....		35	1	17H4010		
20	Spring.....		36	1	7H4970		
21	Screw—bleed.....		37	1	7H4973		
22	Ball—bleed screw.....		38	1	BLS106		Part No. change; was 7H4030
23	Cap—bleed screw dust.....		39	1	7H4419		
24	Circlip.....		40	1	17H4011		
25	Rod—push.....		41	1	1B3701		
26	Pin—clevis—cylinder to clutch fork.....			1	CLZ0517		
27	Washer—plain—clevis pin.....			1	PWZ105		
28	Bolt—cylinder to gearbox.....		48	2	AHH5762		
29	Washer—spring bolt.....		49	2	LWZ206		
30	Banjo.....		44	1	3H808		
31	Bolt—banjo.....		45	1	13H1984		Part No. change; was 2F5276
32	Gasket—banjo.....		47	1	2H4810		Part No. change; was 17H4179
33	Gasket—banjo.....		46	1	17H4021		
34	<b>Kit—clutch operating cylinder repair</b> .....			1	8G8249		
35	Seal.....			1			
36	Cover—dust.....			1			
37	Ball—bleed screw.....			1			
38	Cap—bleed screw dust.....			1			
39	Circlip.....			1			