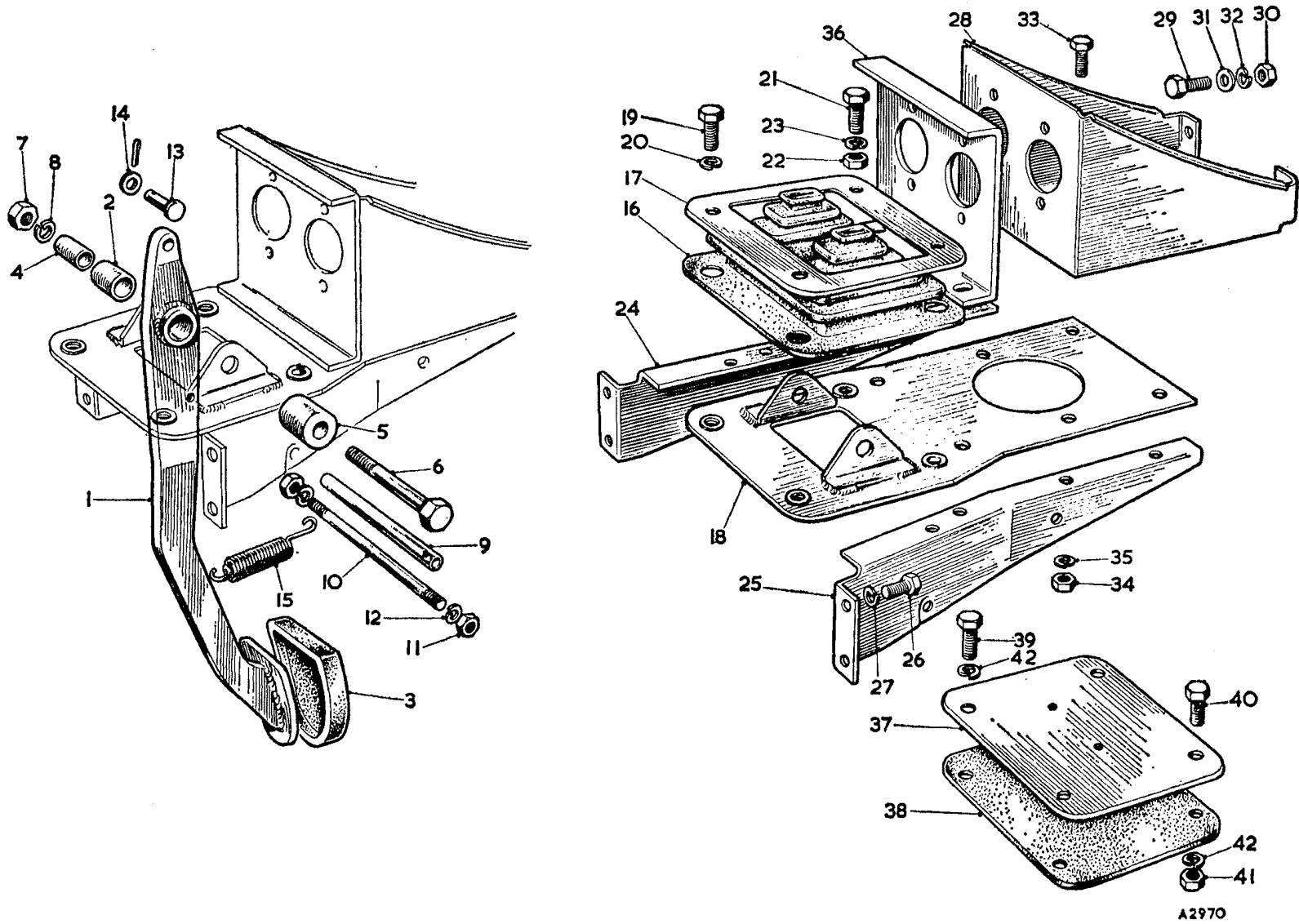


To face page M.1

SERVICE PARTS LIST

THE MGA 1600

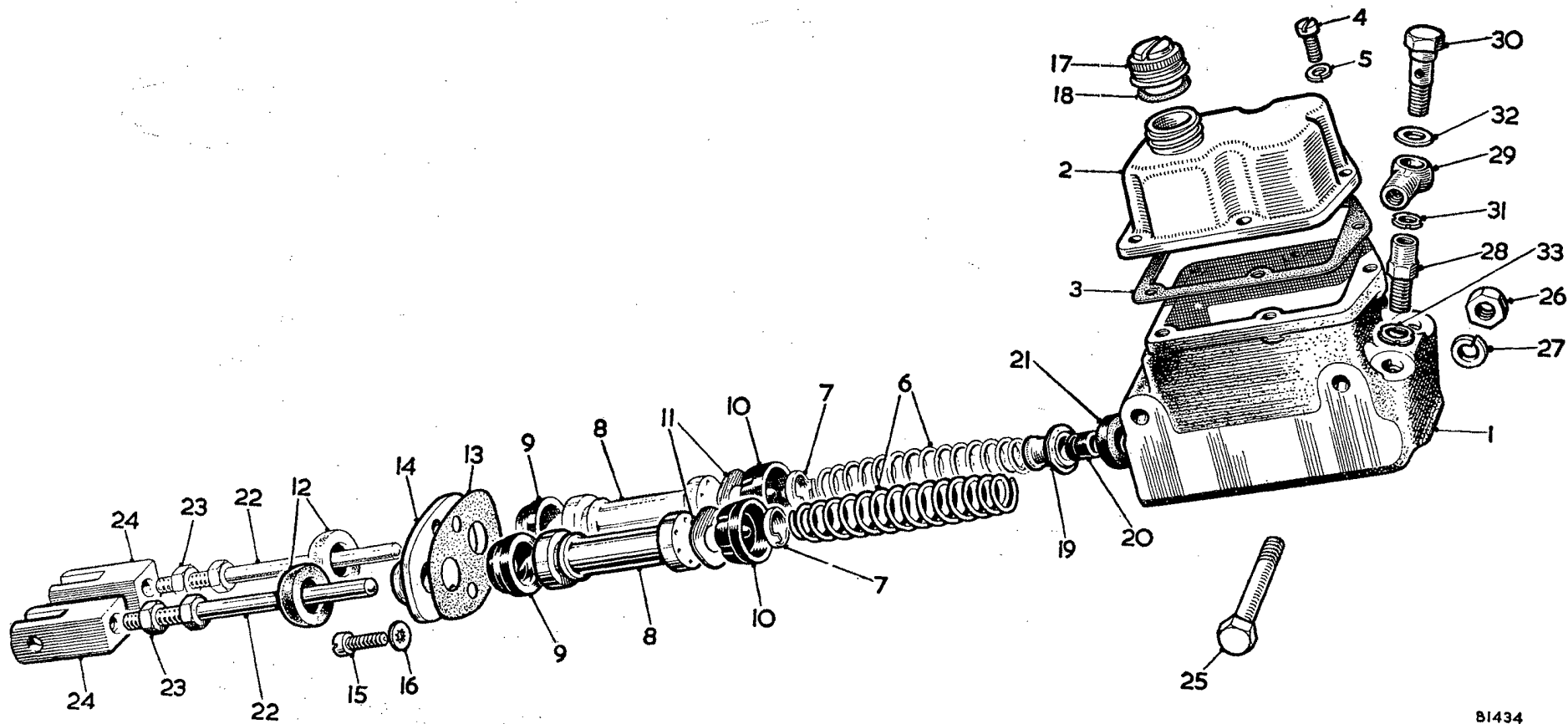
Item No.	DESCRIPTION	Commencing (C) 68851		Quantity	MODIFICATIONS		REMARKS
		Part Number	Illus. No.		New Part Number	Change Point	
<b>BRAKE CONTROLS</b>							
<b>STANDARD MODEL</b>							
1	Pedal—brake	AHH5946	1	1			
2	Bush	AAA4129	2	1			Part No. change; was 185794
3	Pad—pedal (rubber)	AHH5100	3	1			
4	Spring—pull-off—pedal	AAA1628		1			Part No. change; was 130154
5	Pin—clevis—brake pedal	CLZ0512		1			
6	Washer—plain—pin	PWZ105		1			
7	Distance piece—pedal	AAA4130	4	2			Part No. change; was 185795
8	Distance washer—pedal	AAA4133	5	1			Part No. change; was 185798
9	Bolt—pedal bracket	HBZ0622	6	1			
10	Nut—bolt	FNZ106	7	1			
11	Washer—spring—nut	LWZ206	8	1			
12	Distance tube—pedal stop	AHH5092	9	1			
13	Bolt—distance tube	HBZ0436	10	1			
14	Nut—bolt	FNZ104	11	1			
15	Washer—spring—nut	LWZ204	12	1			
16	Excluder—fume—pedal	AHH5101	13	1			
17	Blanking piece (rubber)	AHH5103	14	1			
18	Cover—blanking piece	AHH5102	15	2			
19	Screw—fixing cover	HZS0506	16	2			
20	Screw—fixing cover	HZS0508	17	2			
21	Nut—screw	FNZ105	18	2			
22	Washer—plain—nut	PWZ205	19	4			
23	Washer—spring—nut	LWZ205	20	4			
24	<b>Box—master cylinder</b>	AHH5947	21	1			
25	Screw—box to bulkhead	HZS0505	22	4			
26	Nut—screw	FNZ105	23	4			
27	Washer—plain—nut	PWZ205	24	4			
28	Washer—spring—nut	LWZ205	25	4			
29	Screw—box to bracket (front)	HZS0507	26	2			
30	Screw—box to bracket (rear)	HZS0506	27	2			
31	Washer—plain—front screw	PWZ205	28	2			
32	Washer—spring—screw	LWZ205	29	4			
33	Nut—screw	FNZ105	30	4			
34	Plate assembly—box base	AHH5080	31	1			
35	Screw—base plate to cross-bar	HZS0508	32	2			
36	Washer—spring—screw	LWZ205	33	2			
37	Bracket—support—R/H	AHH5084	34	1			
38	Bracket—support—L/H	AHH5085	35	1			
39	Screw—bracket to tapping plate	HZS0506	36	4			
40	Screw—bracket to base plate	HZS0506	37	2			
41	Nut—screw	FNZ105	38	2			
42	Washer—spring—screw	LWZ205	39	6			



SERVICE PARTS LIST

THE MGA 1600

Item No.	DESCRIPTION	Commencing (C) 68851		Quantity	MODIFICATIONS		REMARKS
		Part Number	Illus. No.		New Part Number	Change Point	
	<b>Brake Controls—continued</b>						
	<b>ALL ROUND DISC BRAKES MODEL</b>						
1	Pedal—brake <b>R.H.D.</b>		1	1	AHH5693		
2	Pedal—brake <b>L.H.D.</b>			1	AHH5695		
3	Bush		2	1	AAA4129		Part No. change; was 185794
4	Pad—pedal (rubber)		3	1	AHH5100		
5	Distance piece—pedal		4	2	AAA4180		Part No. change; was 185795
6	Distance washer—pedal		5	1	AHH5728		
7	Bolt—pedal to bracket		6	1	HBZ0628		
8	Nut—bolt		7	1	FNZ106		
9	Washer—spring—nut		8	1	LWZ206		
10	Distance tube—pedal stop		9	1	AHH5692		
11	Rod—distance tube		10	1	AHH5752		
12	Nut—rod		11	2	FNZ104		
13	Washer—spring—nut		12	2	LWZ204		
14	Pin—clevis—brake pedal		13	1	CLZ0515		
15	Washer—plain—pin		14	1	PWZ105		
16	Spring—pull off—pedal		15	1	AAA1028		Part No. change; was 180154
17	Excluder—fume—pedal		16	1	AHH5689		
18	Cover plate—fume excluder		17	1	AHH5688		
19	Base plate assembly—box		18	1	AHH5687		
20	Screw—fume excluder, cover plate and base plate to cross bar		21	2	HZS0506		
21	Nut—screw		22	2	FNZ105		
22	Washer—spring—screw		23	2	LWZ205		
23	Screw—fume excluder, cover plate and base plate to cross bar		19	2	HPZ0508	Com. (C) 91240	
24	Washer—spring—screw		20	2	LWZ205		
25	Bracket—support—R/H		24	1	AHH5691		
26	Bracket—support—L/H		25	1	AHH5690		
27	Screw—bracket to tapping plate		26	4	HZS0505		
28	Washer—spring—screw		27	4	LWZ205		
29	<b>Box—master cylinder</b>		28	1	AHH5877		
30	Screw—box to bulkhead		29	2	HZS0506		
31	Nut—screw		30	2	FNZ105		
32	Washer—plain—nut		31	2	PWZ205		
33	Washer—spring—nut		32	2	LWZ205		
34	Screw—box to bracket		33	6	HZS0506		
35	Nut—screw		34	6	FNZ105		
36	Washer—spring—nut		35	6	LWZ205		
37	Reinforcement piece—box		36	1	AHH5876		
38	Plate—blinking		37	1	AHH5753		
39	Seal—blinking plate (rubber)		38	1	AHH5754		
40	Screw fixing blanking plate		39	2	HPZ0508		
41	Screw fixing blanking plate		40	2	HZS0506		
42	Nut—screw		41	2	FNZ105		
43	Washer—spring—screw		42	4	LWZ205		

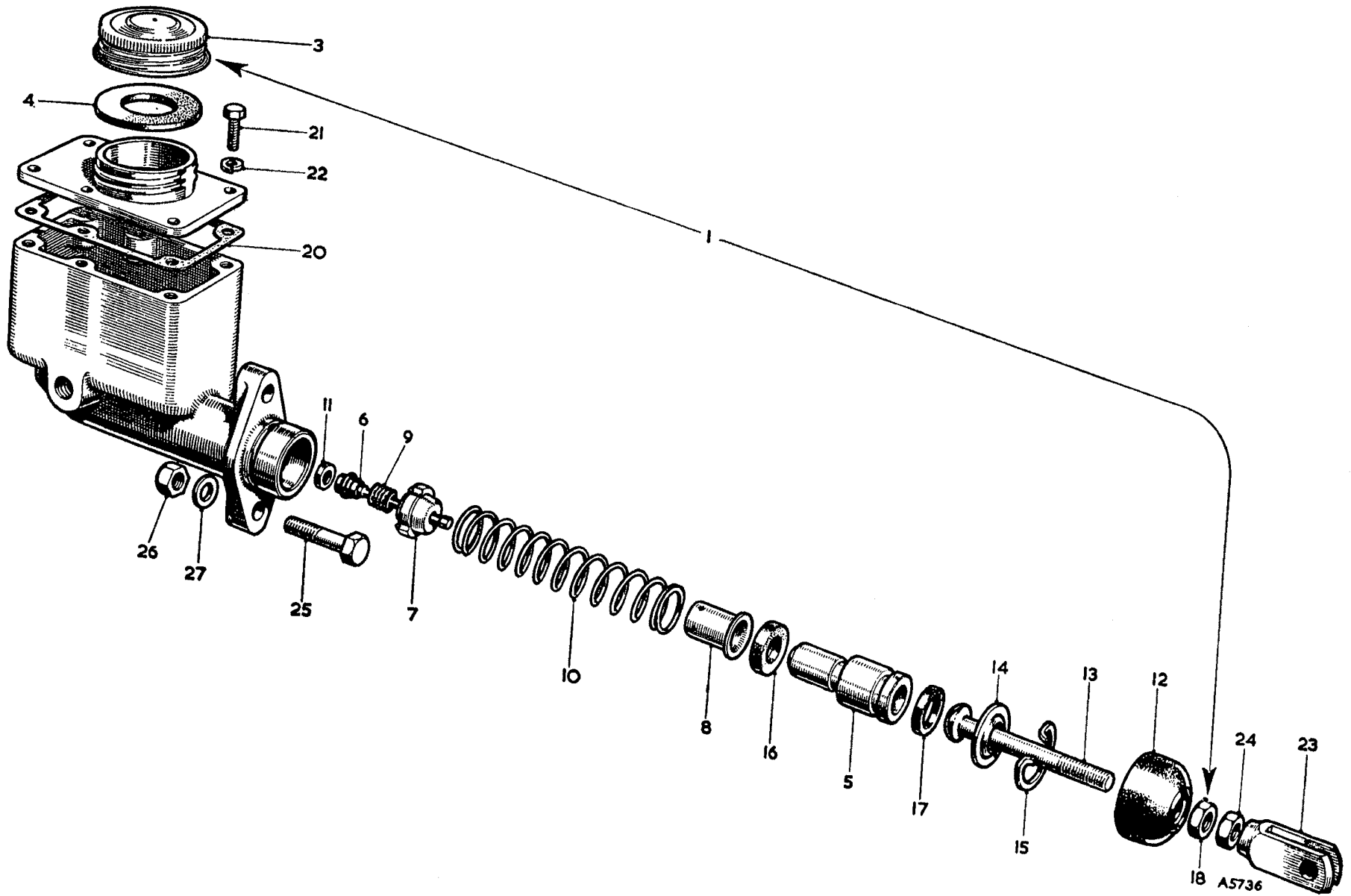


B1434

SERVICE PARTS LIST

THE MGA 1600

Item No.	DESCRIPTION	Commencing (C) 68851		Quantity	MODIFICATIONS		REMARKS
		Part Number	Illus. No.		New Part Number	Change Point	
	<b>BRAKE AND CLUTCH MASTER CYLINDER STANDARD MODEL</b>						
1	Cylinder and supply tank assembly	17H7705		1			
2	Body	AJH5082	1	1			
3	Cover—body	17H7702	2	1			
4	Joint—cover	17H7703	3	1			
5	Screw—cover to body	AAA4758	4	5			Part No. change; was 301551
6	Washer—shakeproof—screw	LWN404	5	5			
7	Spring—piston return	AJH5083	6	2			
8	Retainer—spring	17H7571	7	2			
9	Piston	7H7925	8	2			
10	Cup—piston (primary)	7H7485	9	2			
11	Cup—piston (secondary)	17H7109	10	2			
12	Washer—primary cup to piston	7H7484	11	2			
13	Boot—push rod	AJH5084	12	2			
14	Plate—boot fixing	AAA4756	13	1			Part No. change; was 301549
15	Joint—plate	AAA4757	14	1			Part No. change; was 301550
16	Screw fixing plate	AAA4758	15	2			Part No. change; was 301551
17	Washer—shakeproof—screw	LWN404	16	2			
18	Cap—filler	17H7480	17	1			Not available; was 17H3723
19	Cap filler			1	17H3723		Not available; use 17H6861
20	Seal	AJG5016	18	1	17H4708		AJG5016 not available; use 17H4708
21	Cap filler—plastic	17H6861					
22	Body—valve	17H7324	19	1	7H6834		Use 7H6834 for this application
23	Cup—valve	7H7022	20	1	17H7886		Use 17H7886 for this application
24	Washer—valve	7H7489	21	1			
25	Rod—push	BCA4046	22	2			
26	Nut—lock	LNZ205	23	2			
27	Yoke—push rod to pedal	AJH5133	24	2			
28	Bolt—master cylinder to box	HBZ0624	25	2			
29	Nut—bolt	FNZ106	26	2			
30	Washer—spring—nut	LWZ206	27	2			
31	Adaptor—master cylinder	21K8564	28	1			Part No. change; was AH15284
32	Banjo—master cylinder	3H544	29	1			
33	Bolt—banjo	11K8276	30	1			Part No. change; was 311547
34	Joint—banjo connection	3H549	31	1			Part No. change; was 7117456
35	Joint—banjo connection	3H550	32	1			
36	Joint adaptor	3H2287	33	1			
37	<b>Kit—master cylinder repair</b>	8G8224		1			
38	Cup—piston (primary)			2			
39	Cup—piston (secondary)			2			
40	Washer—primary cup to piston			2			
41	Boot—push rod			2			
42	Cup—valve			1			
43	Washer—valve			1			

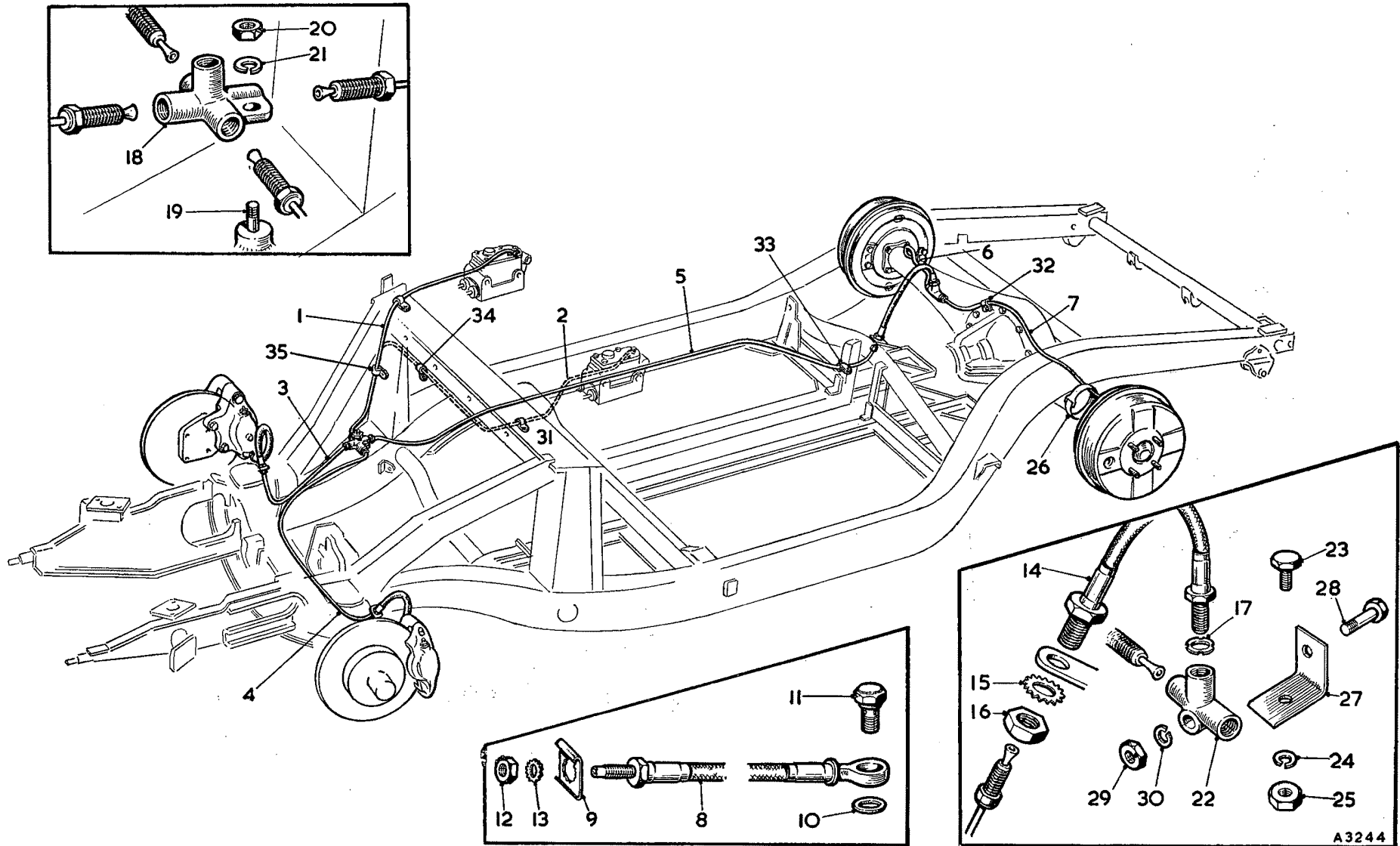


SERVICE PARTS LIST

THE MGA 1600

Item No.	DESCRIPTION	Commencing (C) 68851		Quantity	MODIFICATIONS		REMARKS
		Part Number	Illus. No.		New Part Number	Change Point	
	<b>Brake Master Cylinder—continued</b>						
	<b>ALL ROUND DISC BRAKES MODEL</b>						
	<b>Cylinder and supply tank assembly</b>		1	1	BHA4157		
1	Body			1	N.S.P.		
2	Cap		3	1	7H8223		
3	Washer—cap		4	1	7H8224		
4	Piston		5	1	7H8264		
5	Valve		6	1	7H8226		
6	Spring support—rear end		7	1	7H8227		
7	Spring support—front end		8	1	7H8265		
8	Spring—valve		9	1	7H8229		
9	Spring—main		10	1	7H8226		
10	Seal—piston		11	1	7H8267		
11	Dust excluder		12	1	7H8237		
12	Rod—push		13	1	7H8231		
13	Washer		14	1	7H8232		
14	Circlip		15	1	7H8233		
15	Seal—static		16	1	7H8269		
16	Seal—recuperating		17	1	7H8268		
17	Locknut—push rod		18	1	FNZ205	Com. (C) 91240	
18	Cover			1	N.S.P.		
19	Gasket—cover		20	1	7H8235		
20	Screw fixing cover		21	6	AJD1021		
21	Washer—spring—screw		22	6	AJD7612		
22	Fork end—push rod		23	1	FEZ105		
23	Locknut—fork end		24	1	FNZ205		
24	Screw fixing master cylinder		25	2	HZS0510		
25	Nut—screw		26	2	LNZ205		
26	Washer—plain—nut		27	2	PWZ105		
27	<b>Kit—master cylinder repair</b>			1	8G8495		
28	Seal—piston			1			
29	Dust excluder			1			
30	Seal—static			1			
31	Seal—recuperating			1			
32	Grease—tube			1			
33							



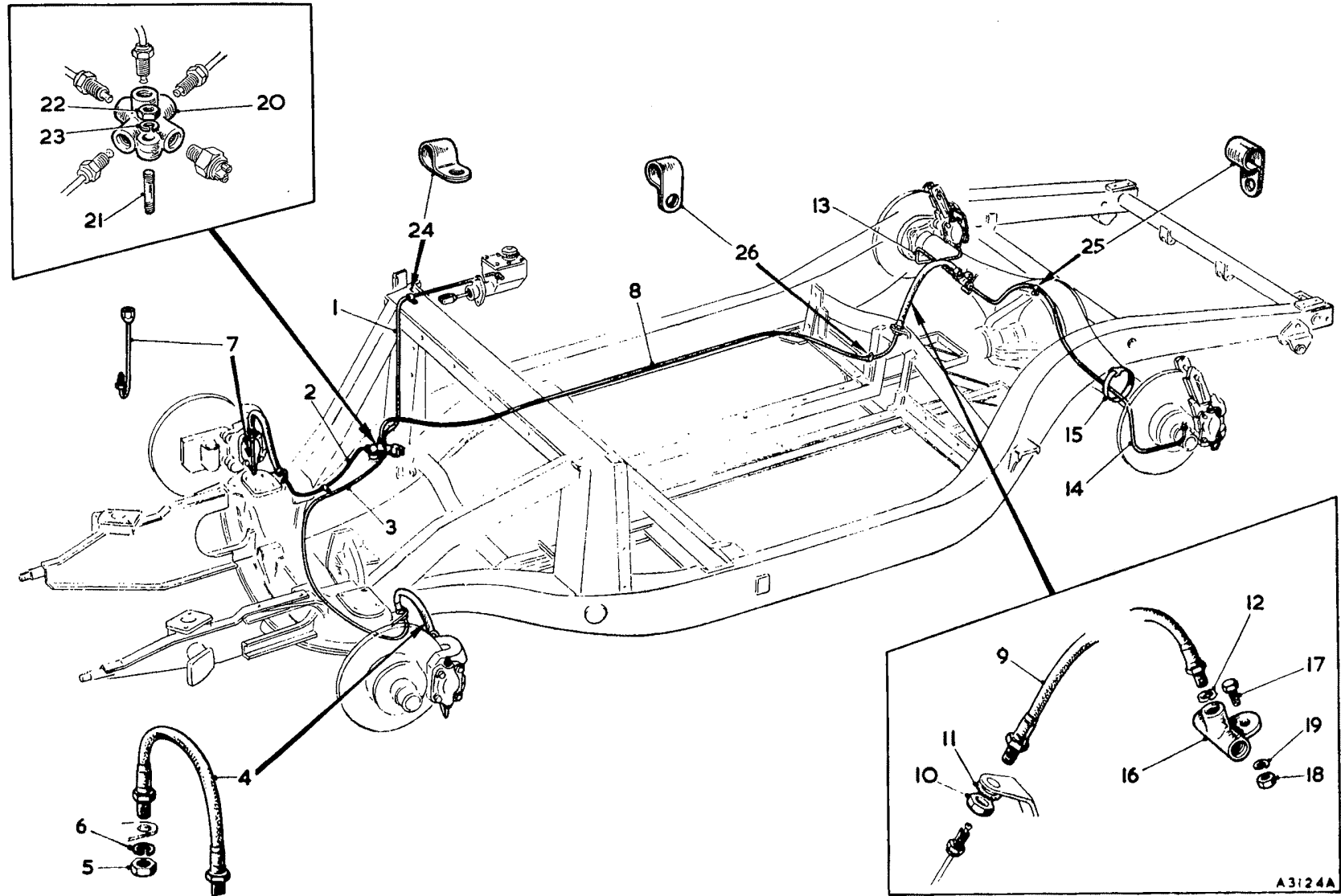


To face page M.5

SERVICE PARTS LIST

THE MGA 1600

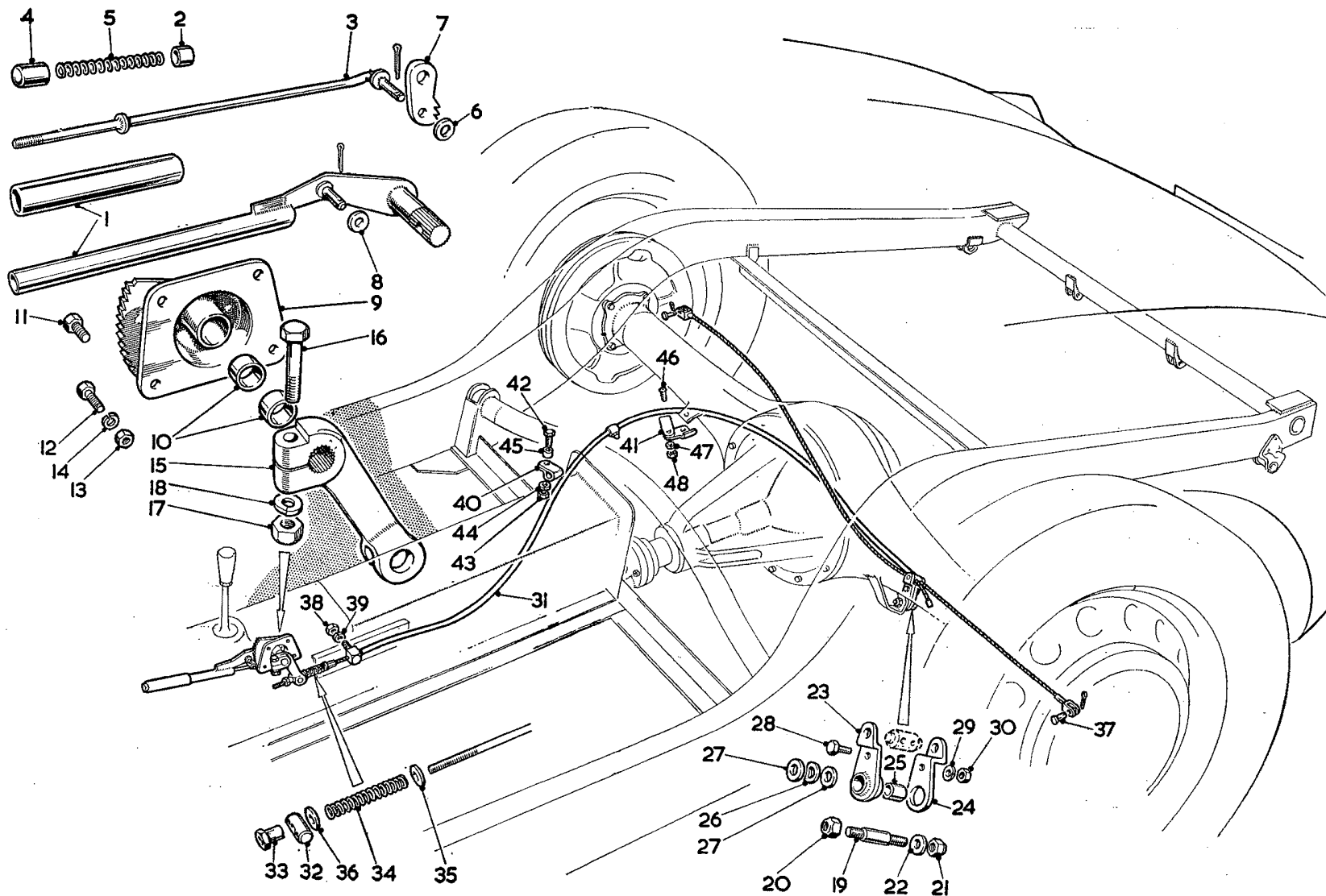
Item No.	DESCRIPTION	Commencing (C) 68851		Quantity	MODIFICATIONS		REMARKS
		Part Number	Illus. No.		New Part Number	Change Point	
	<b>HYDRAULIC PIPES AND FITTINGS STANDARD MODEL</b>						
1	Pipe—master cylinder to 4-way piece ..... <b>R.H.D.</b>	21A62	1	1			Part No. change; was AHH5278
2	Pipe—master cylinder to 4-way piece ..... <b>L.H.D.</b>	AHH5282	2	1			
3	Pipe—4-way piece to front wheel cylinder—R/H	ACA9878	3	1			Part No. change; was AHH5956
4	Pipe—4-way piece to front wheel cylinder—L/H	AHH5958	4	1			
5	Pipe—4-way piece to rear hose	ACB8701	5	1			Part No. change; was AHH5281
6	Pipe—rear hose bracket to rear wheel cylinder—R/H	ACF5117	6	1			Part No. change; was AHH5629
7	Pipe—rear hose bracket to rear wheel cylinder—L/H	AHH5631	7	1			Disc wheels only
8	Pipe—rear hose bracket to rear wheel cylinder—L/H	AHH5633	8	1			Wire wheels only
9	<b>Hose—brake (front)</b>	BHA4130	8	2			
10	Plate—locking	1G9198	9	2			
11	Gasket—front brake hose	3H1550	10	2			
12	Bolt—banjo—front brake hose	11D5204	11	2			
13	Locknut	FNZ206	12	2			
14	Washer—shakeproof	LWN506	13	2			Part No. change; was 17H7141
15	<b>Hose—brake (rear)</b>	17H7526	14	1			
16	Washer hose	LWN510	15	3			
17	Locknut hose	2K8086	16	1			
18	Gasket—brake hose (front and rear)	3H2287	17	3			
19	4-way piece	17H7108	18	1			Part No. change; was AHH5283
20	Stud—4 way piece to side member	AHH5195	19	1	FHS0411		AHH5195 not available; use FHS0411
21	Nut stud	FNZ104	20	1			
22	Washer—spring stud	LWZ204	21	1			
23	3-way piece (rear axle)	3H2424	22	1			
24	Screw—3-way piece bracket	HZS0505	23	1			
25	Washer—spring—screw	LWZ205	24	1			
26	Nut—screw	FNZ105	25	1			
27	Strap—brake pipe to axle	ACH8650	26	1			
28	Bracket—3-way piece	AHH5627	27	1			
29	Bolt—3-way piece to axle bracket	HBZ0408	28	1			
30	Nut—bolt	FNZ104	29	1			
31	Washer—spring—bolt	LWZ204	30	1			
32	Clip—brake pipe to master cylinder box bolt	PCR0311	31	1			
33	Clip—L/H rear brake pipe to diff. case bolt	PCR0311	32	1			
34	Clip—main pipe to battery carrier	PCR0307	33	1			
35	Clip—brake pipe to R/H toeboard bolt	PCR0300	34	1			
36	Clip—brake pipe to toeboard	PCR0300	35	1			



**SERVICE PARTS LIST**

**THE MGA 1600**

Item No.	DESCRIPTION	Commencing (C) 88851		Quantity	MODIFICATIONS		REMARKS
		Part Number	Illus. No.		New Part Number	Change Point	
	<b>Hydraulic Pipes and Fittings—continued</b>						
	<b>ALL ROUND DISC BRAKES MODEL</b>						
1	Pipe—master cylinder to 5-way connection ..... <b>R.H.D.</b>		1	1	AHH5769	] Com. (C) 91240	
2	Pipe—master cylinder to 5-way connection ..... <b>L.H.D.</b>			1	AHH5770		
3	Pipe—5-way connection to R/H front hose .....		2	1	AHH5763		
4	Pipe—5-way connection to L/H front hose .....		3	1	AHH5764		
5	<b>Hose—front</b> .....		4	2	AHH5773		
6	Locknut—hose .....		5	4	FNZ206		
7	Washer—spring—locknut .....		6	4	LWZ206		
8	Pipe—front hose to camper unit .....		7	2	AHH5765		
9	Pipe—5-way connection to rear hose .....		8	1	AHH5768		
10	<b>Hose—rear</b> .....		9	1	AHH5774		
11	Locknut—hose .....		10	1	2K8686		
12	Washer—shakeproof—locknut .....		11	1	LWN510		
13	Gasket—rear hose to 3-way .....		12	1	3H2287		
14	Pipe—3-way connection to rear brake—R/H .....		13	1	AHH5766		
15	Pipe—3-way connection to rear brake—L/H .....		14	1	AHH5767		
16	Strap—brake pipe to axle .....		15	1	ACH8650		
17	3-way connection .....		16	1	AHH5772		
18	Screw—3-way connection and cable clip to rear axle .....		17	1	HZS0506		
19	Nut—screw .....		18	1	FNZ105		
20	Washer—spring—nut .....		19	1	LWZ205		
21	5-way connection .....		20	1	AHH5771		
22	Stud for 5-way connection .....		21	1	AHH5875		
23	Nut—stud .....		22	1	FNZ104		
24	Washer—spring—nut .....		23	1	LWZ204		
25	Clip—brake pipe to master cylinder base plate ..... <b>R.H.D.</b>		24	1	PCR0311		
26	Clip—brake pipe to bulkhead ..... <b>L.H.D.</b>			3	AEH550		
27	Clip—brake pipe to differential case bolt .....		25	1	PCR0311		
28	Clip—brake pipe to battery carrier .....		26	1	PCR0307		



A2139A

To face page M.7

Item No.	DESCRIPTION	Commencing (C) 68851		Quantity	MODIFICATIONS		REMARKS
		Part Number	Illus. No.		New Part Number	Change Point	
<b>HANDBRAKE MECHANISM</b>							
1	<b>Handbrake assembly</b> .....	AHH5229		1			
2	Handle plate and shaft assembly .....	AHH5230	1	1			
3	Bush—handle plate and shaft .....	AAA563	2	1			Part No. change; was 81756
4	Rod assembly—pawl .....	AHH5233	3	1			
5	Knob—pawl rod .....	ACC8056	4	1			
6	Spring—pawl rod .....	AAA515	5	1			Part No. change; was 80461
7	Washer—plain .....	PWZ103	6	1			
8	Pawl .....	AHH5238	7	1			
9	Washer—plain .....	PWZ105	8	1			
10	<b>Fulcrum and ratchet assembly</b> .....	AHH5232	9	1			
11	Bush .....	AHH5242	10	2			
12	Screw—handbrake to gearbox cover .....	HZS0504	11	5			
13	Screw—handbrake to gearbox cover .....	HZS0505	12	3			
14	Nut—screw .....	FNZ105	13	8			
15	Washer—spring—screw .....	LWZ205	14	8			
16	Lever—handbrake operating .....	AHH5244	15	1			
17	Bolt—operating lever .....	HBZ0510	16	1			
18	Nut—bolt .....	FNZ105	17	1			
19	Washer—spring—bolt .....	LWZ205	18	1			
20	Fulcrum—handbrake compensator .....	AHH5025	19	1			
21	Nut—fulcrum to axle .....	LNZ106	20	1			
22	Nut—compensator to fulcrum .....	LNZ105	21	1			
23	Washer—plain—compensator to fulcrum .....	PWZ205	22	1			
24	Lever—compensating (inner) .....	AHH5203	23	1			
25	Lever—compensating (outer) .....	ACH5101	24	1			
26	Bush—compensating lever .....	AHH5225	25	1			
27	Washer—anti-rattle—compensating lever .....	AWZ107	26	1			Part No. change; was AHH5224
28	Washer—plain—compensating lever .....	PWZ107	27	2			
29	Screw—compensating lever .....	HZS0405	28	1			
30	Washer—spring—screw .....	LWZ204	29	1			
31	Nut—screw .....	FNZ104	30	1			
32	<b>Cable—handbrake</b> .....	AHH5227	31	1			
33	<b>Cable—handbrake</b> .....	AHH5228		1			Disc wheels only } Standard
34	<b>Cable—handbrake</b> .....			1	AHH5761	Com. (C) 91240	Wire wheels only } model All round disc brakes model
35	Trunnion cable .....	AHH5322	32	1			
36	Nut—adjuster .....	ACH5104	33	1			
37	Spring—cable .....	ACH8508	34	1			
38	Washer—plain—cable spring (rear) .....	PWZ104	35	1			
39	Washer—plain—cable spring (front) .....	PWZ204	36	1			
40	Pin—clevis .....	ACB8715	37	2			

