

SERVICE PARTS LIST

THE MGA 1600

Item No.	DESCRIPTION	Commencing (C) 68851		Quantity	MODIFICATIONS		REMARKS
		Part Number	Illus. No.		New Part Number	Change Point	
SEATS AND SEAT FITTINGS							
1	Seat assembly less cushion—bucket—R/H—Red with Red piping	AFH2456	1	1			Tourer
2	Seat assembly less cushion—bucket—R/H—Beige with Beige piping	AFH6672		1			
3	Seat assembly less cushion—bucket—R/H—Black with Red piping	AFH5852		1			
4	Seat assembly less cushion—bucket—R/H—Black with Blue piping	AFH6674		1			
5	Seat assembly less cushion—bucket—R/H—Black with White piping	AFH5858		1			
6	Squab assembly—bucket seat—R/H—Red with Red piping	AFH2614		1			
7	Squab assembly—bucket seat—R/H—Beige with Beige piping	AFH6680		1			
8	Squab assembly—bucket seat—R/H—Black with Red piping	AFH5876		1			
9	Squab assembly—bucket seat—R/H—Black with Blue piping	AFH6682		1			
10	Squab assembly—bucket seat—R/H—Black with White piping	AFH5882		1			
11	Cover assembly—bucket seat squab—R/H—Red with Red piping	AFH2612		1			
12	Cover assembly—bucket seat squab—R/H—Beige with Beige piping	AFH6688		1			
13	Cover assembly—bucket seat squab—R/H—Black with Red piping	AFH6454		1			
14	Cover assembly—bucket seat squab—R/H—Black with Blue piping	AFH6690		1			
15	Cover assembly—bucket seat squab—R/H—Black with White piping	AFH6460		1			
16	Cushion assembly—bucket seat—R/H—Red with Red piping	AFH2458	2	1			
17	Cushion assembly—bucket seat—R/H—Beige with Beige piping	AFH6676		1			
18	Cushion assembly—bucket seat—R/H—Black with Red piping	AFH5864		1			
19	Cushion assembly—bucket seat—R/H—Black with Blue piping	AFH6678		1			
20	Cushion assembly—bucket seat—R/H—Black with White piping	AFH5870		1			
21	Cover assembly—bucket seat cushion—R/H—Red with Red piping	AFH2610		1			
22	Cover assembly—bucket seat cushion—R/H—Beige with Beige piping	AFH6684		1			
23	Cover assembly—bucket seat cushion—R/H—Black with Red piping	AFH5888		1			
24	Cover assembly—bucket seat cushion—R/H—Black with Blue piping	AFH6686		1			
25	Cover assembly—bucket seat cushion—R/H—Black with White piping	AFH5894		1			
26	Insert—seat cushion—R/H (rubber)	AFH5804		1			

SERVICE PARTS LIST

THE MGA 1600

Item No.	DESCRIPTION	Commencing (C) 68851		Quantity	MODIFICATIONS		REMARKS
		Part Number	Illus. No.		New Part Number	Change Point	
	Seats and Fittings—continued						
1	Seat assembly less cushion—bucket—L/H—Red with Red piping	AFH2457		3			Tourer
2	Seat assembly less cushion—bucket—L/H—Beige with Beige piping	AFH6073		1			
3	Seat assembly less cushion—bucket—L/H—Black with Red piping	AFH5853		1			
4	Seat assembly less cushion—bucket—L/H—Black with Blue piping	AFH6075		1			
5	Seat assembly less cushion—bucket—L/H—Black with White piping	AFH5859		1			
6	Squab assembly—bucket seat—L/H—Red with Red piping	AFH2615		1			
7	Squab assembly—bucket seat—L/H—Beige with Beige piping	AFH6081		1			
8	Squab assembly—bucket seat—L/H—Black with Red piping	AFH5877		1			
9	Squab assembly—bucket seat—L/H—Black with Blue piping	AFH6683		1			
10	Squab assembly—bucket seat—L/H—Black with White piping	AFH5883		1			
11	Cover assembly—bucket seat squab—L/H—Red with Red piping	AFH2613		1			
12	Cover assembly—bucket seat squab—L/H—Beige with Beige piping	AFH6089		1			
13	Cover assembly—bucket seat squab—L/H—Black with Red piping	AFH6455		1			
14	Cover assembly—bucket seat squab—L/H—Black with Blue piping	AFH6691		1			
15	Cover assembly—bucket seat squab—L/H—Black with White piping	AFH6461		1			
16	Cushion assembly—bucket seat—L/H—Red with Red piping	AFH2459		1			
17	Cushion assembly—bucket seat—L/H—Beige with Beige piping	AFH6077		1			
18	Cushion assembly—bucket seat—L/H—Black with Red piping	AFH5865		1			
19	Cushion assembly—bucket seat—L/H—Black with Blue piping	AFH6079		1			
20	Cushion assembly—bucket seat—L/H—Black with White piping	AFH5871		1			
21	Cover assembly—bucket seat cushion—L/H—Red with Red piping	AFH2011		1			
22	Cover assembly—bucket seat cushion—L/H—Beige with Beige piping	AFH6085		1			
23	Cover assembly—bucket seat cushion—L/H—Black with Red piping	AFH5899		1			
24	Cover assembly—bucket seat cushion—L/H—Black with Blue piping	AFH6687		1			
25	Cover assembly—bucket seat cushion—L/H—Black with White piping	AFH5895		1			
26	Insert—seat cushion—L/H (rubber)	AFH5805		1			

SERVICE PARTS LIST

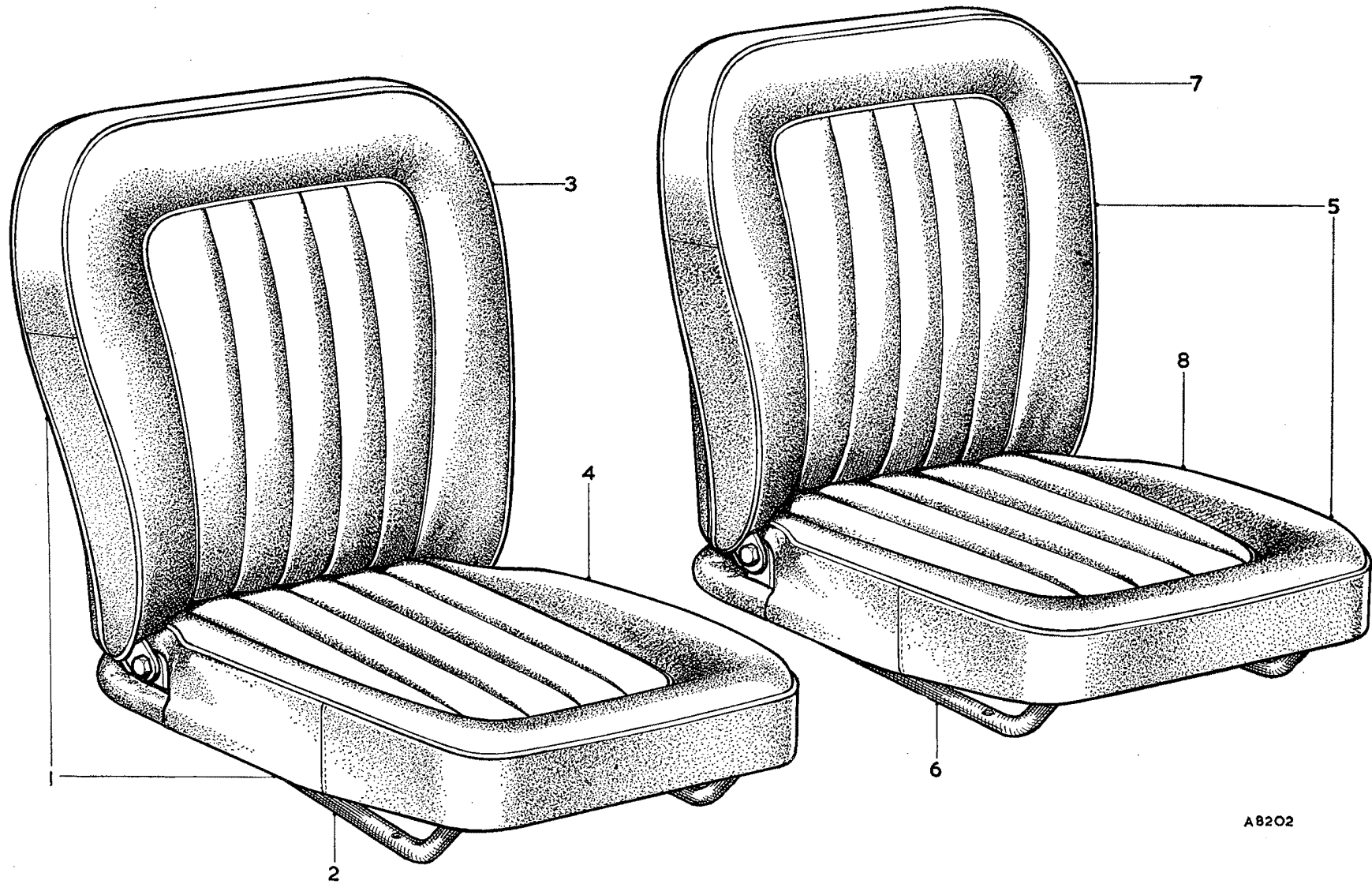
THE MGA 1600

Item No.	DESCRIPTION	Commencing (C) 68851		Quantity	MODIFICATIONS		REMARKS
		Part Number	Illus. No.		New Part Number	Change Point	
	Seats and Seat Fittings—continued						
1	Seat assembly less cushion—bucket—R/H—Red with Red piping	AFH4632	5	1			Coupé
2	Seat assembly less cushion—bucket—R/H—Beige with Beige piping	AFH6718		1			
3	Seat assembly less cushion—bucket—R/H—Black with Red piping	AFH5496		1			
4	Seat assembly less cushion—bucket—R/H—Black with Blue piping	AFH6720		1			
5	Seat assembly less cushion—bucket—R/H—Black with White piping	AFH5494		1			
6	Squab assembly—bucket seat—R/H—Red with Red piping	AFH4636		1			
7	Squab assembly—bucket seat—R/H—Beige with Beige piping	AFH6726		1			
8	Squab assembly—bucket seat—R/H—Black with Red piping	AFH5520		1			
9	Squab assembly—bucket seat—R/H—Black with Blue piping	AFH6728		1			
10	Squab assembly—bucket seat—R/H—Black with White piping	AFH5518		1			
11	Cover assembly—bucket seat squab—R/H—Red with Red piping	AFH4640		1			
12	Cover assembly—bucket seat squab—R/H—Beige with Beige piping	AFH6734		1			
13	Cover assembly—bucket seat squab—R/H—Black with Red piping	AFH5544		1			
14	Cover assembly—bucket seat squab—R/H—Black with Blue piping	AFH6736		1			
15	Cover assembly—bucket seat squab—R/H—Black with White piping	AFH5542		1			
16	Cushion assembly—bucket seat—R/H—Red with Red piping	AFH4634	6	1			
17	Cushion assembly—bucket seat—R/H—Beige with Beige piping	AFH6722		1			
18	Cushion assembly—bucket seat—R/H—Black with Red piping	AFH5508		1			
19	Cushion assembly—bucket seat—R/H—Black with Blue piping	AFH6724		1			
20	Cushion assembly—bucket seat—R/H—Black with White piping	AFH5506		1			
21	Cover assembly—bucket seat cushion—R/H—Red with Red piping	AFH4638		1			
22	Cover assembly—bucket seat cushion—R/H—Beige with Beige piping	AFH6730		1			
23	Cover assembly—bucket seat cushion—R/H—Black with Red piping	AFH5532		1			
24	Cover assembly—bucket seat cushion—R/H—Black with Blue piping	AFH6732		1			
25	Cover assembly—bucket seat cushion—R/H—Black with White piping	AFH5530		1			
26	Insert—seat cushion—R/H (rubber)	AFH5304		1			

SERVICE PARTS LIST

Item No.	DESCRIPTION	Commencing (C) 68851		Quantity	MODIFICATIONS		REMARKS
		Part Number	Illus. No.		New Part Number	Change Point	
	Seats and Seat Fittings—continued						
1	Seat assembly less cushion—bucket—L/H—Red with Red piping	AFH4633	7	1			
2	Seat assembly less cushion—bucket—L/H—Beige with Beige piping	AFH6719		1			
3	Seat assembly less cushion—bucket—L/H—Black with Red piping	AFH5497		1			
4	Seat assembly less cushion—bucket—L/H—Black with Blue piping	AFH6721		1			
5	Seat assembly less cushion—bucket—L/H—Black with White piping	AFH5495		1			
6	Squab assembly—bucket seat—L/H—Red with Red piping	AFH4637		1			
7	Squab assembly—bucket seat—L/H—Beige with Beige piping	AFH6727		1			
8	Squab assembly—bucket seat—L/H—Black with Red piping	AFH5521		1			
9	Squab assembly—bucket seat—L/H—Black with Blue piping	AFH6729		1			
10	Squab assembly—bucket seat—L/H—Black with White piping	AFH5519		1			
11	Cover assembly—bucket seat squab—L/H—Red with Red piping	AFH4641		1			
12	Cover assembly—bucket seat squab—L/H—Beige with Beige piping	AFH6735		1			
13	Cover assembly—bucket seat squab—L/H—Black with Red piping	AFH5545		1			
14	Cover assembly—bucket seat squab—L/H—Black with Blue piping	AFH6737		1			
15	Cover assembly—bucket seat squab—L/H—Black with White piping	AFH5543		1			
16	Cushion assembly—bucket seat—L/H—Red with Red piping	AFH4635	8	1			
17	Cushion assembly—bucket seat—L/H—Beige with Beige piping	AFH6723		1	AFH5509		AFH6725 not available; use AFH5509
18	Cushion assembly—bucket seat—L/H—Black with Red piping	AFH6725		1			
19	Cushion assembly—bucket seat—L/H—Black with Blue piping	AFH5507		1	AFH6725		AFH5507 not available; use AFH6725
20	Cushion assembly—bucket seat—L/H—Black with White piping	AFH4638		1	AFH5507		AFH4638 not available; use AFH5507
21	Cover assembly—bucket seat cushion—L/H—Red with Red piping	AFH6731		1	AFH4639		AFH6731 not available; use AFH4639
22	Cover assembly—bucket seat cushion—L/H—Beige with Beige piping	AFH5533		1	AFH6731		AFH5533 not available; use AFH6731
23	Cover assembly—bucket seat cushion—L/H—Black with Red piping	AFH6733		1	AFH5533		AFH6733 not available; use AFH5533
24	Cover assembly—bucket seat cushion—L/H—Black with Blue piping	AFH5531		1	AFH6733		AFH5531 not available; use AFH6733
25	Cover assembly—bucket seat cushion—L/H—Black with White piping	AFH5805		1	AFH5531		AFH5805 not available; use AFH5531
26	Insert—seat cushion—L/H—rubber	AFH5805		1			

Coupe



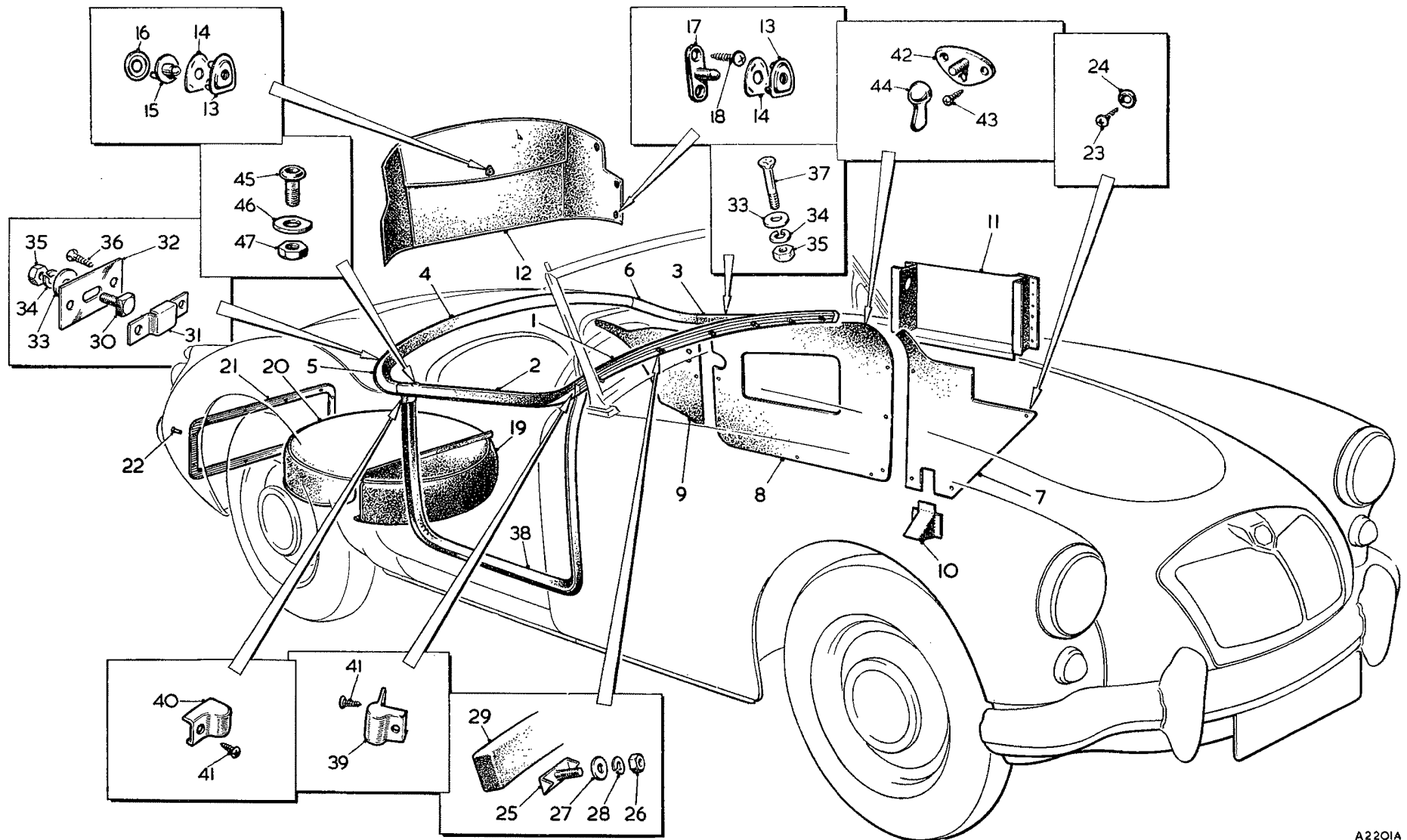
AB202

Item No.	DESCRIPTION	Commencing (C) 68851		Quantity	MODIFICATIONS		REMARKS
		Part Number	Illus. No.		New Part Number	Change Point	
	DE-LUXE SEATS (Optional Extra)						
1	Seat assembly—bucket—R/H—Red with Red piping	AFH5666	1	1			If this seat is requested after car delivery; 1 floorboard (R/H) AFH5748 8 screws CMZ0420 are to be supplied also
2	Seat assembly—bucket—R/H—Beige with Beige piping	AFH6774		1			
3	Seat assembly—bucket—R/H—Black with Red piping	AFH5674		1			
4	Seat assembly—bucket—R/H—Black with Blue piping	AFH6776		1			
5	Seat assembly—bucket—R/H—Black with White piping	AFH5672		1			
6	Frame assembly—bucket seat—R/H	AFH5478		2			
7	Squab assembly—bucket seat—R/H—Red with Red piping	AFH5680		3			
8	Squab assembly—bucket seat R/H—Beige with Beige piping	AFH6778		1			
9	Squab assembly—bucket seat R/H—Black with Red piping	AFH5688		1			
10	Squab assembly—bucket seat R/H—Black with Blue piping	AFH6780		1			
11	Squab assembly—bucket seat R/H—Black with White piping	AFH5686		1			
12	Cover assembly—bucket seat squab—R/H—Red with Red piping	AFH5708		1			
13	Cover assembly—bucket seat squab R/H—Beige with Beige piping	AFH6786		1			
14	Cover assembly—bucket seat squab R/H—Black with Red piping	AFH5716		1			
15	Cover assembly—bucket seat squab R/H—Black with Blue piping	AFH6788		1			
16	Cover assembly—bucket seat squab R/H—Black with White piping	AFH5714		1			
17	Casing assembly—bucket seat back—Red with Red piping	AFH5736		1			
18	Casing assembly—bucket seat back Beige with Beige piping	AFH6794		1			
19	Casing assembly—bucket seat back Black with Red piping	AFH5740		1			
20	Casing assembly—bucket seat back Black with Blue piping	AFH6795		1			
21	Casing assembly—bucket seat back Black with White piping	AFH5739		1			
22	Cushion assembly—bucket seat—R/H—Red with Red piping	AFH5694		4			
23	Cushion assembly—bucket seat R/H—Beige with Beige piping	AFH6782		1			
24	Cushion assembly—bucket seat R/H—Black with Red piping	AFH5702		1			
25	Cushion assembly—bucket seat R/H—Black with Blue piping	AFH6784		1			
26	Cushion assembly—bucket seat R/H—Black with White piping	AFH5700		1			
27	Cover assembly—bucket seat cushion—R/H—Red with Red piping	AFH5722		1			
28	Cover assembly—bucket seat cushion—R/H—Beige with Beige piping	AFH6790		1			
29	Cover assembly—bucket seat cushion—R/H—Black with Red piping	AFH5730		1			
30	Cover assembly—bucket seat cushion—R/H—Black with Blue piping	AFH6792		1			
31	Cover assembly—bucket seat cushion—R/H—Black with White piping	AFH5728		1			

SERVICE PARTS LIST

THE MGA 1600

Item No.	DESCRIPTION	Commencing (C) 68851		Quantity	MODIFICATIONS		REMARKS
		Part Number	Illus. No.		New Part Number	Change Point	
	De-Luxe Seats—continued						
1	Seat assembly—bucket—L/H—Red with Red piping	AFH5667	5	1] If this seat is requested after car delivery: 1 floorboard (L/H) AHH5749, 8 screws CMZ0420 are to be supplied also
2	Seat assembly—bucket—L/H—Beige with Beige piping	AFH6775		1			
3	Seat assembly—bucket—L/H—Black with Red piping	AFH5675		1			
4	Seat assembly—bucket—L/H—Black with Blue piping	AFH6777		1			
5	Seat assembly—bucket—L/H—Black with White piping	AFH5673		1			
6	Frame assembly—bucket seat—L/H	AFH5479	6	1			
7	Squab assembly—bucket seat—L/H—Red with Red piping	AFH5681	7	1			
8	Squab assembly—bucket seat—L/H—Beige with Beige piping	AFH6779		1			
9	Squab assembly—bucket seat—L/H—Black with Red piping	AFH5689		1			
10	Squab assembly—bucket seat—L/H—Black with Blue piping	AFH6781		1			
11	Squab assembly—bucket seat—L/H—Black with White piping	AFH5687		1			
12	Cover assembly—bucket seat squab—L/H—Red with Red piping	AFH5709		1			
13	Cover assembly—bucket seat squab—L/H—Beige with Beige piping	AFH6787		1			
14	Cover assembly—bucket seat squab—L/H—Black with Red piping	AFH5717		1			
15	Cover assembly—bucket seat squab—L/H—Black with Blue piping	AFH6789		1			
16	Cover assembly—bucket seat squab—L/H—Black with White piping	AFH5715		1			
17	Casing assembly—bucket seat back—Red with Red piping	AFH5736		1			
18	Casing assembly—bucket seat back—Beige with Beige piping	AFH6794		1			
19	Casing assembly—bucket seat back—Black with Red piping	AFH5740		1			
20	Casing assembly—bucket seat back—Black with Blue piping	AFH5795		1			
21	Casing assembly—bucket seat back—Black with White piping	AFH5739		1			
22	Cushion assembly—bucket seat—L/H—Red with Red piping	AFH5695	8	1			
23	Cushion assembly—bucket seat—L/H—Beige with Beige piping	AFH6783		1			
24	Cushion assembly—bucket seat—L/H—Black with Red piping	AFH5703		1			
25	Cushion assembly—bucket seat—L/H—Black with Blue piping	AFH6785		1			
26	Cushion assembly—bucket seat—L/H—Black with White piping	AFH5701		1			
27	Cover assembly—bucket seat cushion—L/H—Red with Red piping	AFH5723		1			
28	Cover assembly—bucket seat cushion—L/H—Beige with Beige piping	AFH6791		1			
29	Cover assembly—bucket seat cushion—L/H—Black with Red piping	AFH5731		1			
30	Cover assembly—bucket seat cushion—L/H—Black with Blue piping	AFH6793		1			
31	Cover assembly—bucket seat cushion—L/H—Black with White piping	AFH5729		1			



A220IA

Item No.	DESCRIPTION	Commencing (C) 68851		Quantity	MODIFICATIONS		REMARKS
		Part Number	Illus. No.		New Part Number	Change Point	
	TRIMMING TOURER						
1	Trim roll assembly—dash—Red with Red piping	AFH3740	1	1			
2	Trim roll assembly—dash—Beige with Beige piping	AFH6694		1			
3	Trim roll assembly—dash—Black with Red piping	AFH6470		1			
4	Trim roll assembly—dash—Black with Blue piping	AFH6695		1			
5	Trim roll assembly—dash—Black with White piping	AFH6473		1			
6	Trim roll assembly—dash—Black with Black piping			1	AFH7516	Fin. (C) 101489 Cont. (C) 101490	
7	Trim roll assembly—door—R/H—Red with Red piping	AFH3742	2	1			
8	Trim roll assembly—door—R/H—Beige with Beige piping	AFH6702		1			
9	Trim roll assembly—door—R/H—Black with Red piping	AFH6496		1			
10	Trim roll assembly—door—R/H—Black with Blue piping	AFH6704		1			
11	Trim roll assembly—door—R/H—Black with White piping	AFH6502		1			
12	Trim roll assembly—door—L/H—Red with Red piping	AFH3743	3	1			
13	Trim roll assembly—door—L/H—Beige with Beige piping	AFH6703		1			
14	Trim roll assembly—door—L/H—Black with Red piping	AFH6497		1			
15	Trim roll assembly—door—L/H—Black with Blue piping	AFH6705		1			
16	Trim roll assembly—door—L/H—Black with White piping	AFH6503		1			
17	Trim roll assembly—rear—centre—Red with Red piping	AFH3741	4	1			
18	Trim roll assembly—rear—centre—Beige with Beige piping	AFH6696		1			
19	Trim roll assembly—rear—centre—Black with Red piping	AFH6476		1			
20	Trim roll assembly—rear—centre—Black with Blue piping	AFH6697		1			
21	Trim roll assembly—rear—centre—Black with White piping	AFH6479		1			

SERVICE PARTS LIST

THE MGA 1600

Item No.	DESCRIPTION	Commencing (C) 68851		Quantity	MODIFICATIONS		REMARKS
		Part Number	Illus. No.		New Part Number	Change Point	
	Trimming—Tourer—continued						
1	Trim roll assembly—rear—end—R/H—Red with Red piping	AFH3744	5	1			
2	Trim roll assembly—rear—end—R/H—Beige with Beige piping	AFH6698		1			
3	Trim roll assembly—rear—end—R/H—Black with Red piping	AFH6484		1			
4	Trim roll assembly—rear—end—R/H—Black with Blue piping	AFH6700		1			
5	Trim roll assembly—rear—end—R/H—Black with White piping	AFH6490		1			
6	Trim roll assembly—rear—end—L/H—Red with Red piping	AFH3745	6	1			
7	Trim roll assembly—rear—end—L/H—Beige with Beige piping	AFH6699		1			
8	Trim roll assembly—rear—end—L/H—Black with Red piping	AFH6485		1			
9	Trim roll assembly—rear—end—L/H—Black with Blue piping	AFH6701		1			
10	Trim roll assembly—rear—end—L/H—Black with White piping	AFH6491		1			
11	Liner assembly—dash—side—R/H—Red	AFH2560		1			
12	Liner assembly—dash—side—R/H—Beige	AFH6706		1			
13	Liner assembly—dash—side—R/H—Black	AFH6508		1			
14	Liner assembly—dash—side—L/H—Red	AFH2561	7	1			
15	Liner assembly—dash—side—L/H—Beige	AFH6707		1			
16	Liner assembly—dash—side—L/H—Black	AFH6509		1			
17	Liner assembly—door—R/H—Red	AFH2562		1			
18	Liner assembly—door—R/H—Beige	AFH6708		1			
19	Liner assembly—door—R/H—Black	AFH6514		1			
20	Liner assembly—door—L/H—Red	AFH2563	8	1			
21	Liner assembly—door—L/H—Beige	AFN6709		1			
22	Liner assembly—door—L/H—Black	AFH6515		1			
23	Liner assembly—rear quarter—R/H—Red	AFH2564		1			
24	Liner assembly—rear quarter—R/H—Beige	AFH6710		1			
25	Liner assembly—rear quarter—R/H—Black	AFH6520		1			
26	Liner assembly—rear quarter—L/H—Red	AFH2565	9	1			
27	Liner assembly—rear quarter—L/H—Beige	AFH6711		1			
28	Liner assembly—rear quarter—L/H—Black	AFH6521		1			

SERVICE PARTS LIST

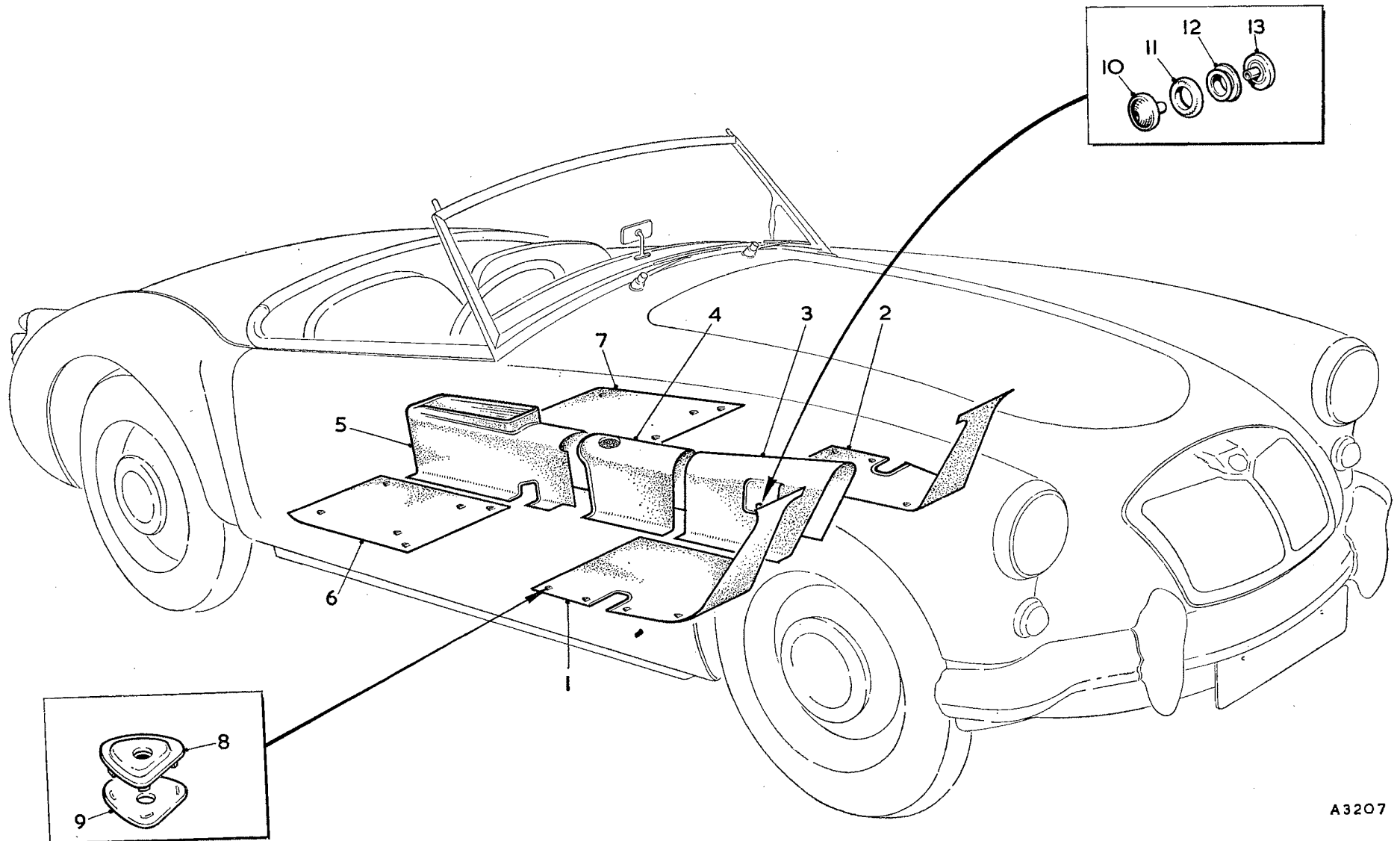
THE MGA 1600

Item No.	DESCRIPTION	Commencing (C) 68851		Quantity	MODIFICATIONS		REMARKS	
		Part Number	Illus. No.		New Part Number	Change Point		
	Trimming—Tourer—continued							
1	Cover assembly—dash side mounting—Red	AFH2567	10	2				
2	Cover assembly—dash side mounting—Beige	AFH6714		2				
3	Cover assembly—dash side mounting—Black	AFH5608		2				
4	Pocket assembly—door—R/H—Red	AFH2568		1				
5	Pocket assembly—door—R/H—Beige	AFH6712		1				
6	Pocket assembly—door—R/H—Black	AFH6526		1				
7	Pocket assembly—door—L/H—Red	AFH2569	11	1				
8	Pocket assembly—door—L/H—Beige	AFH6713		1				
9	Pocket assembly—door—L/H—Black	AFH6527		1				
10	Stowage assembly—sidescreen—Red	AFH2570	12	1	AFH6854] Com. (C) 78249	AFH2570 not available; use AFH6854	
11	Stowage assembly—sidescreen—Beige	AFH6715		1	AFH6855			AFH6715 not available; use AFH6855
12	Stowage assembly—sidescreen—Black	AFH5898		1	AFH6856			AFH5898 not available; use AFH6856
13	Fastener—lift-the-dot	LFS107	13	7			Part No. change; was 7119961 and 2H5003	
14	Plate—clinch	LFS100	14	7			Part No. change; was 7119963 and 2H5004	
15	Clinch—pronged	7119964	15	1				
16	Plate—pronged clinch	LFP1500	16	1			Part No. change; was 7119960	
17	Stud	LFP116	17	6			Part No. change; was 9711499	
18	Screw—stud to body	RTP1605	18	12				
19	Cover—spare wheel (front)	AFH2571	19	1				
20	Cover—spare wheel (rear)	AFH2572	20	1				
21	Frame—spare wheel cover	AFH1731	21	1				
22	Rivets—cover frame	AFH5454	22	12				
23	Screw—fixing door liner	RTP407		4				
24	Screw—fixing liner and pocket	RTP404	23	4				
25	Washer—cup—liner and pocket screw	7701	24	8	FWP106		7701 not available; use FWP106	
26	Bolt—fixing dash trim roll	AFH1900	25	6				
27	Nut—bolt	FNZ103	26	6				
28	Washer—plain	PWZ203	27	6				
29	Washer—spring	LWZ203	28	6				
30	Trim roll rubber—bonnet surround	AFH1846	29	1				
31	Bolt—trim roll (special)	AFH2819	30	9				
32	Retainer—bolt	AFH2820	31	9				
33	Plate—base for retainer	AFH2821	32	9				
34	Washer—plain—trim roll to body	PWZ203	33	15				
35	Washer—spring—trim roll to body	LWZ203	34	15				
36	Nut—trim roll to body	FNZ103	35	15				
37	Screw—fixing retainer to trim roll	CTZ604	36	18				
38	Screw—fixing trim roll	CMZ0320	37	6				
39	Screw—fixing tacking strip to casing	CTZ403		14				
40	Sleeve—sidescreen stowage retaining plate (rubber)			1	AFH6877	Com. (C) 68851		

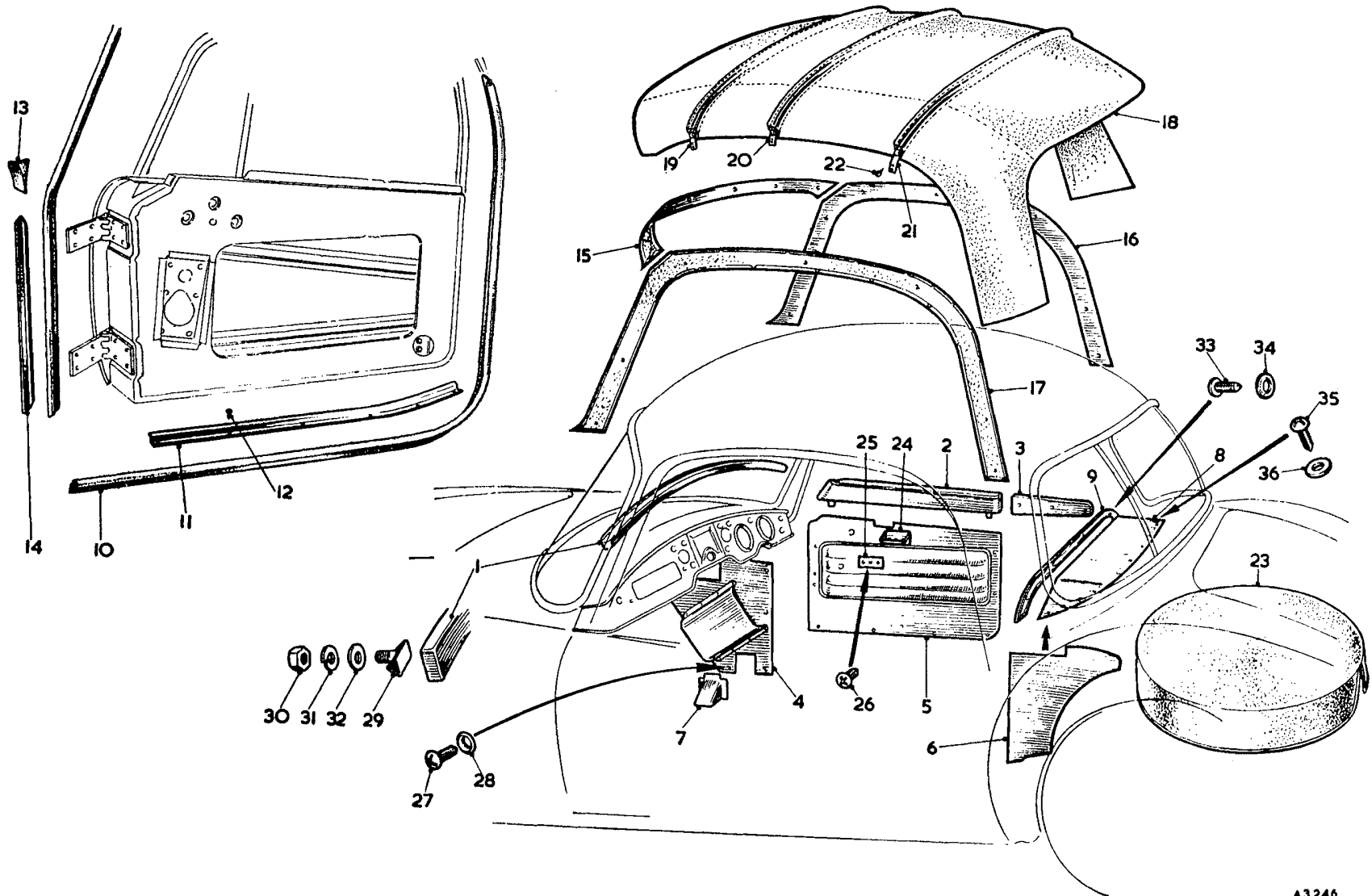
SERVICE PARTS LIST

THE MGA 1600

Item No.	DESCRIPTION	Commencing (C) 68851		Quantity	MODIFICATIONS		REMARKS
		Part Number	Illus. No.		New Part Number	Change Point	
	Trimming—Tourer—continued						
1	Sealing rubber—door—Red	AFH2451	38	2			Not available; use 37H9950
2	Sealing rubber—door—Black	AFH2455		2			Not available; use 37H9964
3	Sealing rubber—door—Red 63" (160 cm.) long	37H9950	38	A/R] Supplied in multiples on yards
4	Sealing rubber—door—Black 63" (160 cm.) long	37H9964		A/R			
5	Finisher—door seal—hinge pillar—R/H	AFH2574	39	1			
6	Finisher—door seal—hinge pillar—L/H	AFH2575		1			
7	Finisher—door seal—shut pillar—R/H	AFH2576	40	1	AFH7512] Com. (C) 101292	
8	Finisher—door seal—shut pillar—L/H	AFH2577		1	AFH7513		
9	Screw—fixing finisher	P'TP605	41	8			PTP605 correction; was PTB605 Part No. change; was MB21959
10	Stud—fixing side curtain	AAA5154	42	2			
11	Screw—stud	RTP805	43	6			
12	Knob—sidescreen locking (knurled)	AFH6620	44	2			
13	Socket—side curtain peg	AFH1744	45	2			
14	Washer—side curtain peg socket (special)	AFH2579	46	2			
15	Nut—peg socket	FNZ208	47	2			



A3207



A3246

SERVICE PARTS LIST

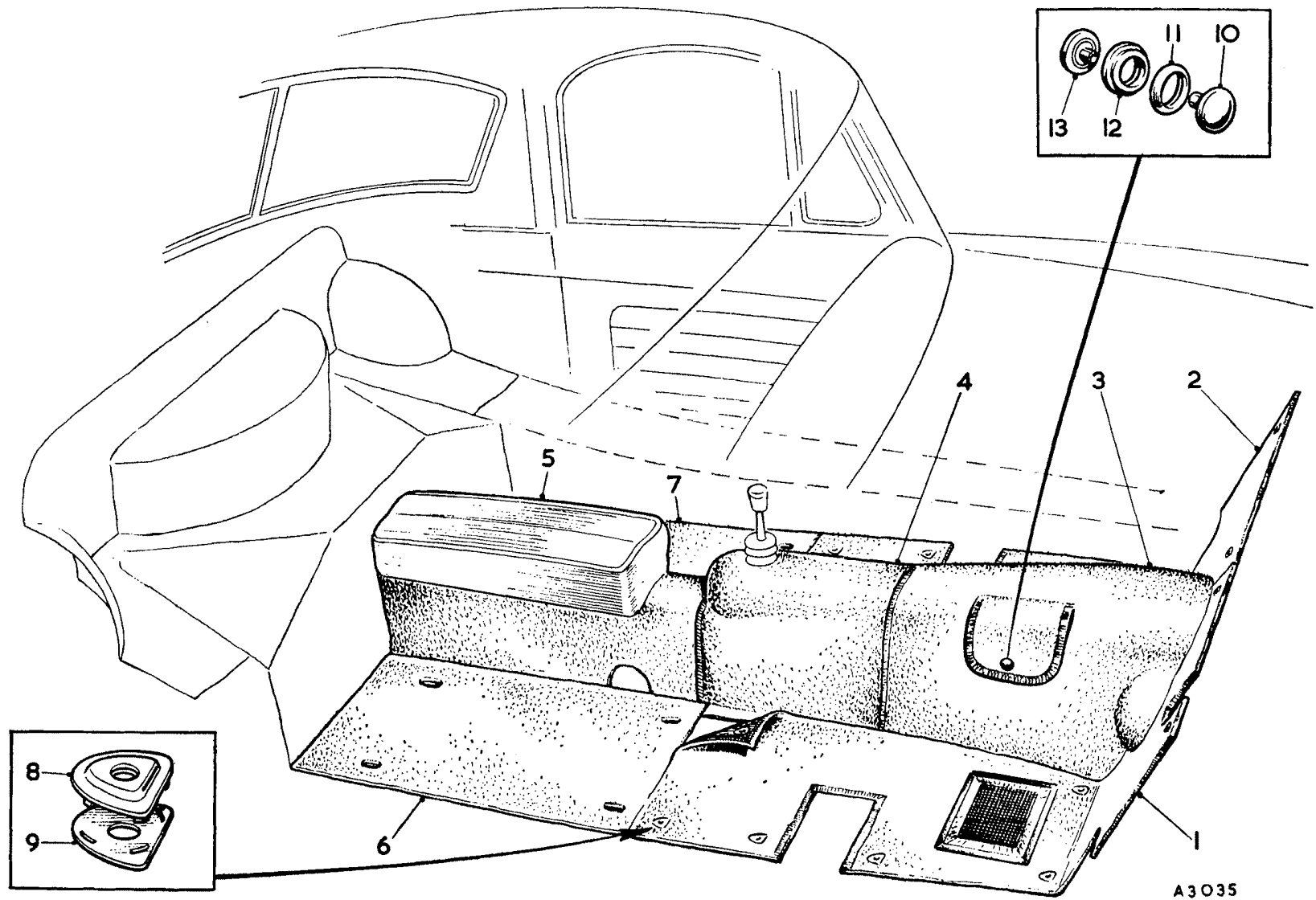
THE MGA 1600

Item No.	DESCRIPTION	Commencing (C) 68851		Quantity	MODIFICATIONS		REMARKS
		Part Number	Illus. No.		New Part Number	Change Point	
	TRIMMING COUPE						
1	Trim roll assembly—dash—Red with Red piping	AFH4652	1	1			
2	Trim roll assembly—dash—Beige with Beige piping	AFH6740	1	1			
3	Trim roll assembly—dash—Black with Red piping	AFH6741	1	1			
4	Trim roll assembly—dash—Black with Blue piping	AFH6742	1	1			
5	Trim roll assembly—dash—Black with White piping	AFH6743	1	1			
6	Trim roll assembly—dash—Black with Black piping		1	1	AFH7517	Fin. (C) 100595 Com. (C) 100596	
7	Capping assembly—door—R/H—Red	AFH4648	2	1			
8	Capping assembly—door—R/H—Beige	AFH6750	1	1			
9	Capping assembly—door—R/H—Black	AFH5594	1	1			
10	Capping assembly—door—L/H—Red	AFH4649	1	1			
11	Capping assembly—door—L/H—Beige	AFH6751	1	1			
12	Capping assembly—door—L/H—Black	AFH5595	1	1			
13	Capping assembly—rear quarter—R/H	AFH6652	3	1			
14	Capping assembly—rear quarter—L/H	AFH6653	1	1			
15	Liner assembly with map pocket—R/H—Red	AFH4642	4	1			
16	Liner assembly with map pocket—R/H—Beige	AFH6744	1	1			
17	Liner assembly with map pocket—R/H—Black	AFH5566	1	1			
18	Liner assembly with map pocket—L/H—Red	AFH4643	1	1			
19	Liner assembly with map pocket—L/H—Beige	AFH6745	1	1			
20	Liner assembly with map pocket—L/H—Black	AFH5567	1	1			
21	Liner assembly—door—R/H—Red with Red piping	AFH4644	5	1			
22	Liner assembly—door—R/H—Beige with Beige piping	AFH6746	1	1			
23	Liner assembly—door—R/H—Black with Red piping	AFH5574	1	1			
24	Liner assembly—door—R/H—Black with Blue piping	AFH6805	1	1			
25	Liner assembly—door—R/H—Black with White piping	AFH5572	1	1			
26	Liner assembly—door—L/H—Red with Red piping	AFH4645	1	1			
27	Liner assembly—door—L/H—Beige with Beige piping	AFH6747	1	1			
28	Liner assembly—door—L/H—Black with Red piping	AFH5575	1	1			
29	Liner assembly—door—L/H—Black with Blue piping	AFH6806	1	1			
30	Liner assembly—door—L/H—Black with White piping	AFH5573	1	1			
31	Liner assembly—rear quarter—R/H—Red	AFH6826	6	1			
32	Liner assembly—rear quarter—R/H—Beige	AFH6748	1	1			
33	Liner assembly—rear quarter—R/H—Black	AFH6828	1	1			
34	Liner assembly—rear quarter—L/H—Red	AFH6827	1	1			
35	Liner assembly—rear quarter—L/H—Beige	AFH6749	1	1			
36	Liner assembly—rear quarter—L/H—Black	AFH6829	1	1			
37	Cover assembly—dash side mounting—Red	AFH2567	7	2			
38	Cover assembly—dash side mounting—Beige	AFH6752	1	2			
39	Cover assembly—dash side mounting—Black	AFH5608	1	2			
40	Shelf assembly—rear—Red	AFH6764	8	1			
41	Shelf assembly—rear—Beige	AFH6753	1	1			
42	Shelf assembly—rear—Black	AFH6766	1	1			

SERVICE PARTS LIST

THE MGA 1600

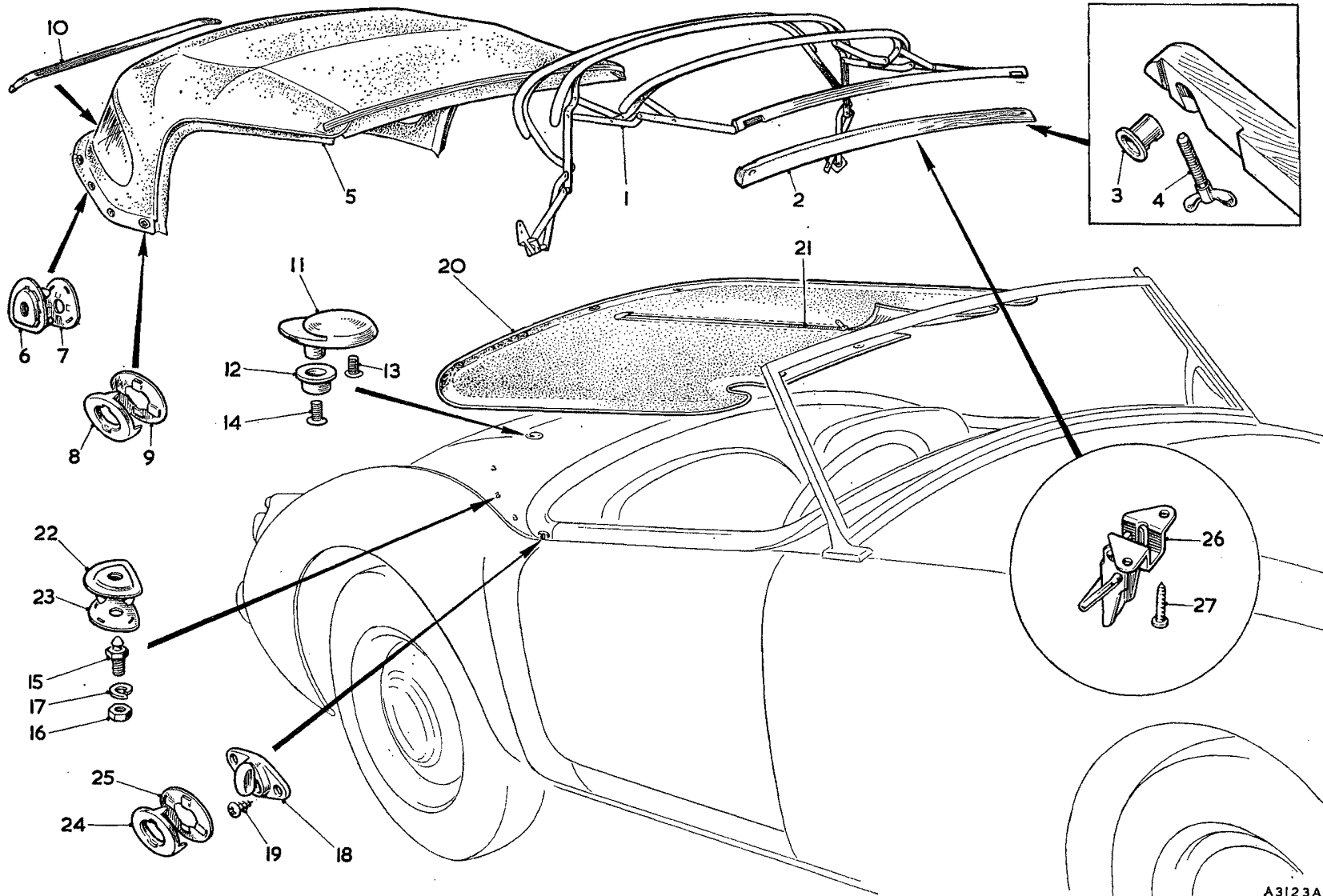
Item No.	DESCRIPTION	Commencing (C) 68851		Quantity	MODIFICATIONS		REMARKS
		Part Number	Illus. No.		New Part Number	Change Point	
	Trimming—Coupé—continued						
1	Fillet assembly—rear shelf—Red	AFH6755	9	1			
2	Fillet assembly—rear shelf—Beige	AFH6754		1			
3	Fillet assembly—rear shelf—Black	AFH6765		1			
4	Sealing rubber—door—Red	AFH4562	10	2			Not available; use 37H9959
5	Sealing rubber—door—Black	AFH4565		2			Not available; use 37H9964
6	Sealing rubber—door—Red 111" (283 cm.) long	37H9959	10	A/R			Supplied in multiples of yards
7	Sealing rubber—door—black 111" (283 cm.) long	37H9964		A/R			
8	Retainer—door sealing rubber—R/H	AFH2722	11	1			
9	Retainer—door sealing rubber—L/H	AFH2723		1			
10	Screw—retainer to sill	MTZ603	12	12			Part No. change; was AJD8172Z
11	Sealing pad—'A' post—R/H	AFH4822	13	1			
12	Sealing pad—'A' post—L/H	AFH4823		1			
13	Sealing rubber—door hinge pillar	AFH4819	14	2			
14	Fillet assembly—header trim	AFH4653	15	1			
15	Fillet assembly—cant rail—R/H	AFH4654	16	1			
16	Fillet assembly—cant rail—L/H	AFH4655	17	1			
17	Headlining assembly	AFH4657	18	1			
18	Listing rod—headlining—(front)	AFH4485	19	1			
19	Listing rod—headlining—(centre)	AFH4486	20	1			
20	Listing rod—headlining—(rear)	AFH4487	21	1			
21	Screw—listing rod to body	MTZ603	22	8			Part No. change; was AJD8172
22	Cover assembly—spare wheel	AFH6655	23	1			
23	Pull—door	AFH4512	24	2			
24	Plate—fixing—door pull	AFH3776	25	2			
25	Screw—fixing plate to door	CTZ603	26	6			
26	Screw—liners to body	RTP504	27	30			
27	Washer for screw	7701	28	30	FWP106		7701 not available; use FWP106
28	Bolt—dash trim roll to body	AFH1900	29				
29	Nut for bolt	FNZ103	30	6			
30	Washer—spring	LWZ203	31	6			
31	Washer—plain	PWZ203	32	6			
32	Screw—rear shelf fillet to body	RTP606	33	6			
33	Washer for screw	7700	34	6	FWP106		7700 not available; use FWP106
34	Screw—rear shelf to body	PTZ604	35	4			
35	Washer—plain	PWZ202	36	4			



SERVICE PARTS LIST

THE MGA 1600

Item No.	DESCRIPTION	Commencing (C) 68851		Quantity	MODIFICATIONS		REMARKS
		Part Number	Illus. No.		New Part Number	Change Point	
	Trimming—Coupé—continued						
1	Carpet assembly—front—R/H R.H.D.	AFH6536	1	1			
2	Carpet assembly—front—R/H L.H.D.	AFH6537		1			
3	Carpet assembly—front—L/H R.H.D.	AFH5755	2	1			
4	Carpet assembly—front—L/H L.H.D.	AFH5757		1			
5	Carpet assembly—tunnel—(front)	AFH6535	3	1			
6	Carpet assembly—tunnel—(intermediate)	AFH5763	4	1			
7	Carpet assembly—tunnel—(rear) with armrest assembly—Red with Red piping	AFH4661	5	1			
8	Carpet assembly—tunnel—(rear)—with armrest assembly—Beige with Beige piping	AFH6758		1			
9	Carpet assembly—tunnel—(rear)—with armrest assembly—Black with Red piping	AFH6553		1			
10	Carpet assembly—tunnel—(rear)—with armrest assembly—Black with Blue piping	AFH6759		1			
11	Carpet assembly—tunnel—(rear)—with armrest assembly—Black with White piping	AFH6552		1			
12	Cover assembly—centre armrest—Red with Red piping	AFH4631		1			
13	Cover assembly—centre armrest—Beige with Beige piping	AFH6738		1			
14	Cover assembly—centre armrest—Black with Red piping	AFH5553		1			
15	Cover assembly—centre armrest—Black with Blue piping	AFH6739		1			
16	Cover assembly—centre armrest—Black with White piping	AFH5552		1			
17	Carpet assembly—rear—R/H	AFH5764	6	1			
18	Carpet assembly—rear—L/H	AFH5765	7	1			
19	Fastener—lift-the-dot	LFS109	8	16			Part No. change; was 7H9962
20	Clinch plate—fastener	LFS100	9	16			Part No. change; was 7H9963 and 2H5004
21	Durable—dot—button	7H9864	10	1			
22	Durable—dot—socket	7H9866	11	1			
23	Durable—dot—stud	ADB4811	12	1			Part No. change; was 7H9867
24	Durable—dot—eyelit	7H9868	13	1			
25	Leathercloth 50" wide—Red	AFH1831		A/R			
26	Leathercloth 50" wide—Beige	AFH6662		A/R			
27	Leathercloth 50" wide—Black	AFH1834		A/R			
28	Leathercloth 50" wide—Off White	AFH4614		A/R			
29	Piping—door hinge pillar—Red	AFH4771		A/R			
30	Piping—door hinge pillar—Beige	AFH6671		A/R			
31	Piping—door hinge pillar—Black	AFH4774		A/R			
32	Piping—dash trim roll—Red	AFH4835		A/R			
33	Piping—dash trim roll—Beige	AFH6668		A/R			
34	Piping—dash trim roll—Blue	AFH6667		A/R			
35	Piping—dash trim roll—Off White	AFH4838		A/R			
36	Carpet material 40" wide—Grey	AFH5785		A/R	5D4200		AFH5785 not available; use 5D4200
37	Felt 72" wide	AAA743		A/R			Part No. change; was 87988
38	Covering—dash top 48" wide—Red			A/R	AFH7506] Com. (C) 100352	
39	Covering—dash top 48" wide—Black			A/R	AFH7507		



SERVICE PARTS LIST

THE MGA 1600

Item No.	DESCRIPTION	Commencing (C) 68851		Quantity	MODIFICATIONS		REMARKS
		Part Number	Illus. No.		New Part Number	Change Point	
	HOOD AND TONNEAU COVER TOURER						
1	Hood assembly—Grey	AFH6636		1	AFH6848	Com. (C) 78249	AFH6636 not available; use AFH6848
2	Hood assembly—Beige	AFH6796		1	AFH6849		AFH6796 not available; use AFH6849
3	Hood assembly—Blue	AFH6797		1	AFH6850		AFH6797 not available; use AFH6850
4	Frame assembly—hood	AFH6770	1	1	AFH6847		AFH6770 not available; use AFH6847
5	Stick - hood	AFH6771	2	1	AFH6846		AFH6771 not available; use AFH6846
6	Socket - stick	AFH2635	3	2			
7	Wing bolt - hood to screen	AAA5166	4	2			
8	Canopy assembly—Grey	AFH6802	5	1	AFH6851	Com. (C) 78249	Part No. change; was MB22438 AFH6802 not available; use AFH6851
9	Canopy assembly—Beige	AFH6804		1	AFH6852		AFH6804 not available; use AFH6852
10	Canopy assembly—Blue	AFH6803		1	AFH6853		
11	Lift-the-dot fastener	LFS107	6	6			Part No. change; was 7H9061 and 2H5003
12	Lift-the dot clinch plate	LFS100	7	6			Part No. change; was 7H9063 and 2H5004
13	Eyelet - turnbutton fastener	14A6537	8	2			Part No. change; was 97H498
14	Washer - turnbutton fastener	14A6538	9	2			Part No. change; was 97H497
15	Attachment plate—hood to body	AFH2659	10	1			
16	Catch - hood centre	AFH6772	20	1			
17	Screw fixing catch	PTP606	27	2			
18	Plate—hood retaining	14B1730	11	2			Part No. change; was AFH1741
19	Washer— cup— plate	AAA5130	12	2			Part No. change; was MB19956
20	Screw fixing plate	PMZ0304	13	2			
21	Screw fixing plate	PMZ0306	14	2			
22	Peg—rear fixing	17H9510	15	6			
23	Nut—peg	AJD8012Z	16	6			
24	Washer spring screw	LWZ203	17	6			
25	Turnbutton single	14A6536	18	2			Part No. change; was 97H496
26	Screw fixing turnbutton	RTP404	19	4			

SERVICE PARTS LIST

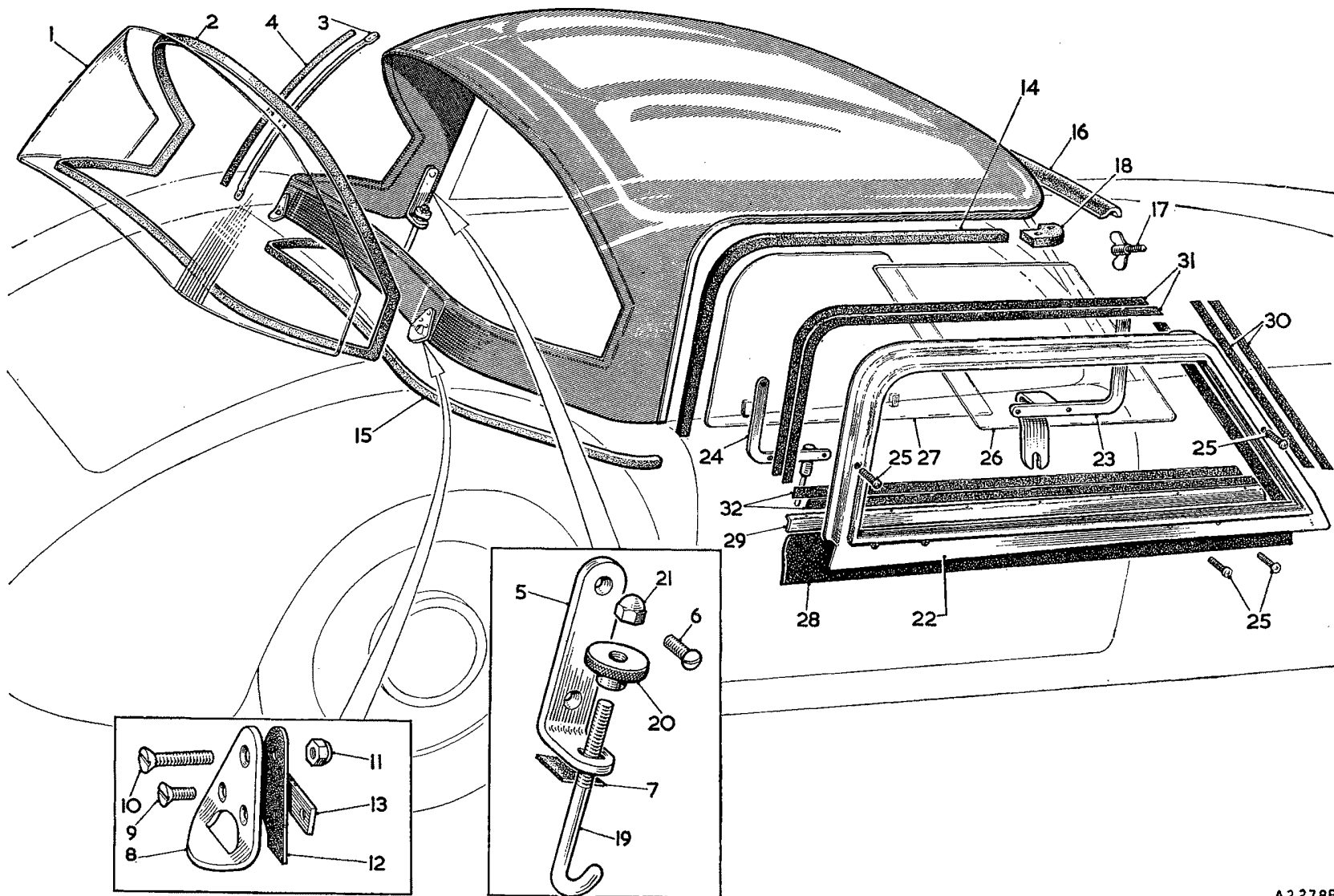
THE MGA 1600

Item No.	DESCRIPTION	Commencing (C) 68851		Quantity	MODIFICATIONS		REMARKS
		Part Number	Illus. No.		New Part Number	Change Point	
	Hood and Tonneau Cover—Tourer—continued						
1	Tonneau cover assembly—Grey	8G9124	20	1			Part No. change; was AHH5975
2	Tonneau cover assembly—Beige	8G9125		1			Part No. change; was AHH5971
3	Tonneau cover assembly—Blue	8G9126		1			Part No. change; was AHH5973
4	Tonneau cover assembly—Grey	8G9127		1			Part No. change; was AHH5976
5	Tonneau cover assembly—Beige	9G9128		1			Part No. change; was AHH5972
6	Tonneau cover assembly—Blue	8G9129		1			Part No. change; was AHH5974
7	Zip fastener	AFH6608	21	1			
8	Lift-the-dot fastener	LFS107	22	12			Part No. change; was 7H9961 and 2H5003
9	Lift-the-dot clinch plate	LFS100	23	12			Part No. change; was 7H9963 and 2H5004
10	Eyelet—turnbutton fastener	14A6537	24	2			Part No. change; was 97H498
11	Washer—turnbutton fastener	14A6538	25	2			Part No. change; was 97H497
12	Screw base—lift-the-dot	LFP116		6			Part. No. change; was 97H499
13	Screw fixing base	RTP603		12			
14	Stud—lift-the-dot	97H717		6			
15	Nut—stud	AJD8012Z		6			
16	Washer—spring—nut	LWZ203		6			
17	Washer—plain—nut	PWZ203		6			

R.H.D.

L.H.D.

Optional Extra



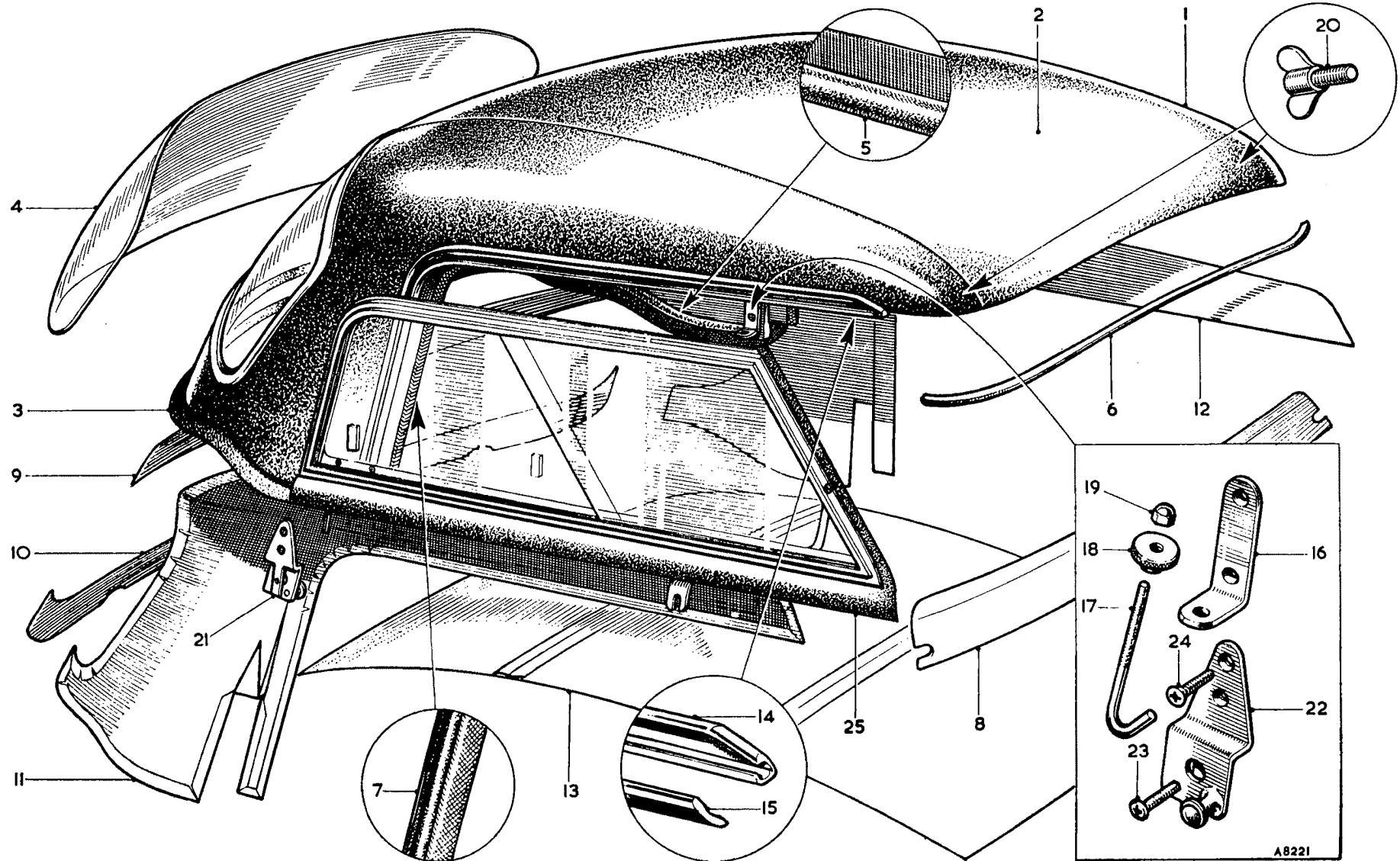
A2278B

SERVICE PARTS LIST

THE MGA 1600

Item No.	DESCRIPTION	Commencing (C) 68851		Quantity	MODIFICATIONS		REMARKS
		Part Number	Illus. No.		New Part Number	Change Point	
	HARD TOP TOURER (Optional extra)						
1	Hard-top assembly—aluminium	AHH5562		1			No longer available. Supply AHH5991
2	Window—(rear)	AHH5660	1	1			
3	Rubber sealing—rear window	AHH5661	2	1			
4	Strut—rear window (inner)	AHH5662	3	2			
5	Rubber—inner strut	AHH5663	4	2			
6	Bracket—side—(main)	AHH5664	5	2			
7	Screw—main bracket to canopy	AJD2440C	6	4			
8	Rubber—side bracket	AHH5665	7	2			
9	Bracket—retaining—(rear)	AHH5666	8	2			
10	Screw—bracket to canopy	RM10307	9	4			
11	Screw—rear bracket to inner strut	AJD2248C	10	2			
12	Cap—nut—bracket to inner strut screw	AJJ3125	11	2	6K9777		AJJ3125 not available; use 6K9777
13	Grommet—retaining bracket	AHH5667	12	2			
14	Plate backing retaining bracket	AHH5674	13	2			
15	Rubber sealing—(side)	AHH5668	14	2			
16	Rubber sealing—(rear)	AHH5673	15	1			
17	Rubber sealing—canopy	AHH5669	16	1			
18	Screw—thumb—canopy retaining	AAA5106	17	2			Part No. change; was AHH5670 and MB22438
19	Canopy rail end—R/H—(rubber)	AHH5671	18	1			
20	Canopy rail end—L/H—(rubber)	AHH5672		1			
21	Clip assembly—main retaining (side)	AHH5650	19	2			
22	Knob (knurled)	AHH5652	20	1			
23	Nut—cap	AHH5653	21	1			
	SLIDING SIDE-SCREEN						
24	Side-screen assembly—sliding—R/H	AHH5731		1			
25	Side-screen assembly—sliding—L/H	AHH5732		1			
26	Frame—R/H	AHH5733	22	1			
27	Frame—L/H	AHH5734		1			
28	Bracket—front securing—R/H	AHH5735	23	1			
29	Bracket—front securing—L/H	AHH5736		1			
30	Bracket—peg—R/H	AHH5737	24	1			
31	Bracket—peg—L/H	AHH5738		1			
32	Screw fixing front and peg brackets	PMP0810	25	12			
33	Screen—fixed	AHH5739	26	2			
34	Screen—sliding—R/H	AHH5740	27	1			
35	Screen—sliding—L/H	AHH5741		1			
36	Rubber—sealing—R/H	AHH5808	28	1			
37	Rubber—sealing—L/H	AHH5742		1			
38	Retainer—sealing rubber—R/H	AHH5743	29	1			
39	Retainer—sealing rubber—L/H	AHH5744		1			
40	Felt—glazing—(front)	AHH5745	30	2			
41	Felt—glazing—(upper)	AHH5746	31	2			
42	Felt—glazing—(lower)	AHH5747	32	2			

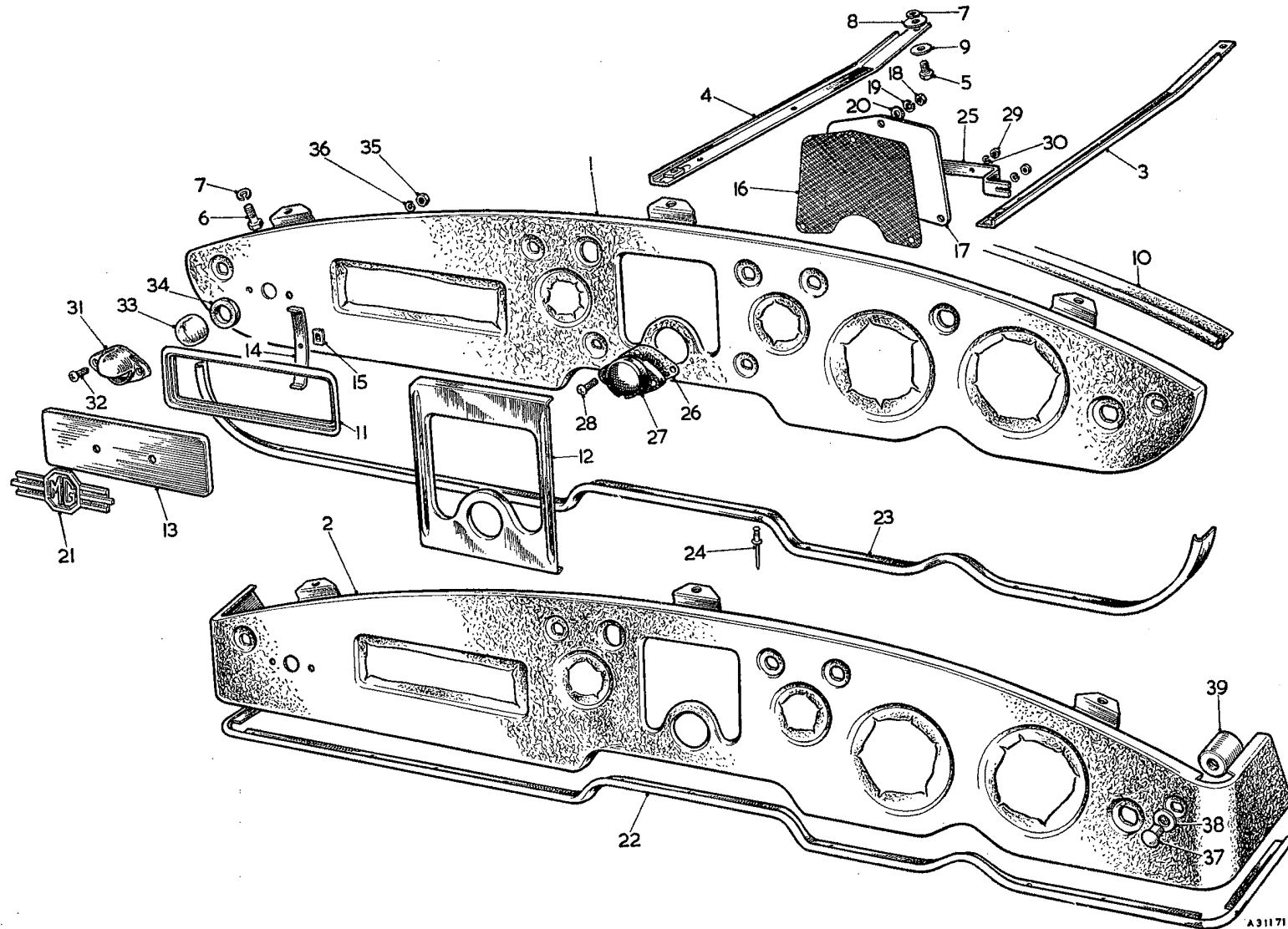
For use with hard-top assembly
AHH5562 only



SERVICE PARTS LIST

THE MGA 1600

Item No.	DESCRIPTION	Commencing (C) 68851		Quantity	MODIFICATIONS		REMARKS
		Part Number	Illus. No.		New Part Number	Change Point	
	HARD TOP TOURER (Optional Extra)						
1	Hard-top assembly—fibre glass		1	1	AHH5991	Com. (C) 68851	
2	Cover—black vynide		2	1	AKH492		
3	Rubber—sealing—body		3	A/R	AKH493		
4	Rear light—perspex		4	1	AKH494		
5	Furflex—Grey—rear light and bottom rear		5	A/R	AKH495		
6	Rubber—sealing—screen		6	A/R	AKH496		
7	Draught excluder—Grey—door		7	A/R	AKH497		
8	Panel—front		8	1	AKH498		
9	Panel—rear upper		9	1	AKH499		
10	Panel—rear lower		10	1	AKH500		
11	Panel—side—R/H		11	1	AKH501		
12	Panel—side—L/H		12	1	AKH505		
13	Headlining—Grey—stitched		13	1	AKH502		
14	Rail—drip—R/H		14	1	AKH503		
15	Rail—drip—L/H		15	1	AKH506		
16	Plastic filler—Black		15	2	AKH504		
17	Bracket—side		16	2	AHH5664		
18	Clip assembly—side		17	2	AHH5650		
19	Knob—knurled		18	2	AHH5652		
20	Nut—cap		19	2	AHH5653		
21	Screw—front securing		20	2	AAA5166		
22	Bracket—attachment—R/H		21	1	AHH5599		
23	Bracket—attachment—L/H		22	1	AHH5600		
24	Screw—bracket to body		23	2	PMZ0416		
25	Screw—bracket to body		24	4	CMZ0416		
	SLIDING SIDE-SCREEN						
26	Side-screen assembly—sliding—R/H		25	1	AHH5984	For use with hard-top assembly AHH5991 only	
27	Side-screen assembly—sliding—L/H			1	AHH5985		
28	Rubber—sealing—R/H			1	AKH511		
29	Rubber—sealing—L/H			1	AKH512		



SERVICE PARTS LIST

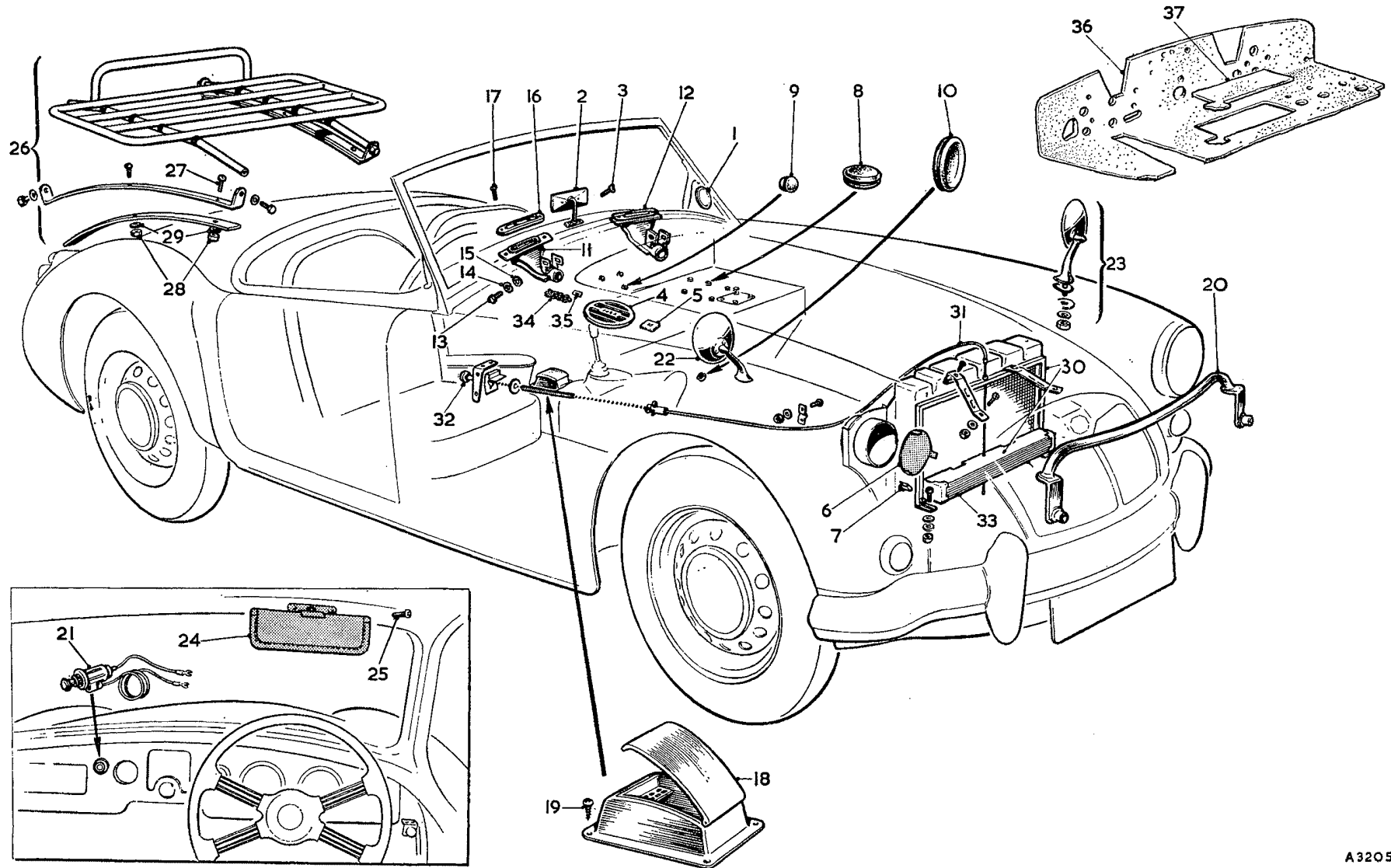
THE MGA 1600

Item No.	DESCRIPTION	Commencing (C) 68851		Quantity	MODIFICATIONS		REMARKS	
		Part Number	Illus. No.		New Part Number	Change Point		
FASCIA PANEL								
1	Panel assembly—fascia.....	R.H.D.	ARH57	1] Fin. (C) 100351] Tourer	
2	Panel assembly—fascia.....	L.H.D.	ARH58	1				
3	Panel assembly—fascia—Red.....] R.H.D.		1	AFH5822] Com. (C) 100352		
4	Panel assembly—fascia—Beige.....			1	AFH6842			
5	Panel assembly—fascia—Black.....			1	AFH6844			
6	Panel assembly—fascia—Red.....			1	AFH5823			
7	Panel assembly—fascia—Beige.....] L.H.D.		1	AFH6843			
8	Panel assembly—fascia—Black.....			1	AFH6845			
9	Panel assembly—fascia—Red.....] R.H.D.	AFH4658	2	1			
10	Panel assembly—fascia—Beige.....			AFH6756	1	1		
11	Panel assembly—fascia—Black.....			AFH5028	1	1		
12	Panel assembly—fascia—Red.....] L.H.D.	AFH4659	1	1] Coupé	
13	Panel assembly—fascia—Beige.....			AFH6757	1	1		
14	Panel assembly—fascia—Black.....			AFH5629	1	1		
15	Support angle assembly—R/H.....			AFH1712	3	2		
16	Support angle assembly—L/H.....		AFH1713	4	2			
17	Screw—support angle.....		PMZ0308	5	8	PMZ0308	PMZ0308 not available; use PMZ0308	
18	Screw—support angle.....		AFH2587	6	3	53K126	AFH2587 not available, use 53K126	
19	Washer—spring screw.....		LWZ203	7	11			
20	Washer—plain screw.....		PWZ204	8	3			
21	Washer—plain screw.....		PWZ203	9	8			
22	Piping—fascia panel—Red.....		AFH4841	10	A/R			
23	Piping—fascia panel—Beige.....		AFH6670		A/R			
24	Piping—fascia panel—Blue.....		AFH6669		A/R			
25	Piping—fascia panel—White.....		AFH4844		A/R			
26	Clip—fascia piping.....		ADA833		8			
27	Bezel—radio aperture.....		AHH5255	11	1			
28	Bezel—radio speaker.....		AFH4520	12	1		Com. (C) 100352 (Tourer)	
29	Plate—blinking radio aperture.....		ARH59	13	1			
30	Clip—blinking plate to fascia panel.....		AHH5256	14	2			
31	Nut—clip (spire).....		ADB509	15	2			
32	Grille—radio speaker.....		AHH5254	16	1			
33	Plate—blinking radio speaker grille.....		AHH5376	17	1			
34	Nut—blinking plate to panel.....		FNZ103	18	3			
35	Washer—spring—nut.....		LWZ203	19	3			
36	Washer—plain—nut.....		PWZ203	20	3			
37	Motif—'M.G.'.....		AHH5258	21	1			
38	Finisher—fascia panel (lower).....	R.H.D.		23	1	AFH5476] Com. (C) 100352	
39	Finisher—fascia panel (lower).....	L.H.D.		1	1	AFH5477		
40	Finisher—fascia panel (lower).....	R.H.D.	AFH4488	22	1] Coupé	
41	Finisher—fascia panel (lower).....	L.H.D.	AFH4489	1	1			

SERVICE PARTS LIST

THE MGA 1600

Item No.	DESCRIPTION	Commencing (C) 68851		Quantity	MODIFICATIONS		REMARKS
		Part Number	Illus. No.		New Part Number	Change Point	
	Fascia Panel—continued						
1	Rivet—finisher and radio bezel		24	16	AFH5453	Com. (C) 100852	Tourer Coupé
2	Rivet—finisher and radio bezel			23			
3	Bracket—horn—push	AHH5287	25	1			
4	Insulating piece—horn—push	AHH5257	26	1			
5	Horn—push	2H3383	27	1			
6	Screw—push to bracket	PMZ0210	28	2			
7	Nut—screw	CNZ102	29	2			
8	Washer—spring—screw	LWZ202	30	2			
9	Cover assembly—map light	37H5426	31	1			
10	Screw—map light cover to fascia panel	RMP0810	32	2			
11	Glass—map light	17H5301	33	1			
12	Rubber—map light glass	17H5302	34	1			
13	Nut—screw	FNZ103	35	2			
14	Washer—spring—screw	LWZ203	36	2			
15	Window—flasher warning light (Green)	AJG5046	37	1			
16	Bezel—flasher warning light	AAA3763	38	1			
17	Shade—flasher warning light	AJG5047	39	1			Part No. change; was 184166



A3205

SERVICE PARTS LIST

THE MGA 1600

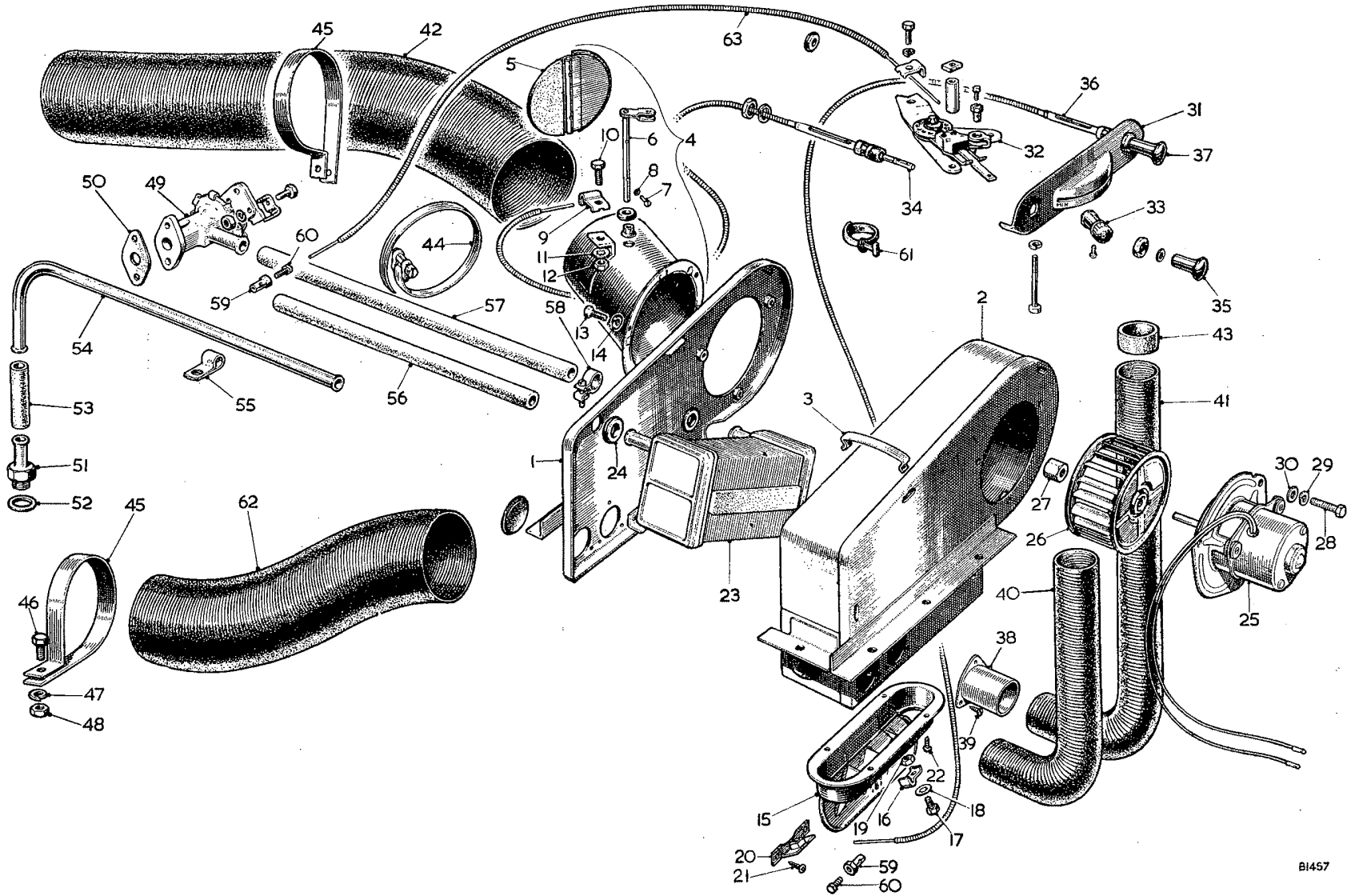
Item No.	DESCRIPTION	Commencing (C) 68851		Quantity	MODIFICATIONS		REMARKS
		Part Number	Illus. No.		New Part Number	Change Point	
	SUNDRIES						
1	Licence holder Tourer	180260	1	1	14A3823		180260 not available; use 14A3823
2	Licence holder Coupé	14A3823	1	1			
3	Mirror—rear view	AHH5198	2	1			
4	Screw - mirror to body	RMP0310	3	2			
5	Ventilator grille—air duct (MGA)	AHH5294	4	2			
6	Push on fix grille	PFS104	5	3			
7	Disc—blanking air tube	AHH5396	6	1			
8	Clip—fixing blanking disc	ADH3809	7	3			
9	Grommet—master cylinders/bulkhead holes	RFR208	8	8			
10	Grommet (1/4" diam.)	RFN204	9	5			Cars less radio
11	Grommet—blanking dip switch hole	JG2541	10	1			
12	Grommet - blanking control box holes	2H8041	2	2			
13	Grommet - blanking dipper switch holes	2H8041	3	3			
14	Nozzle—demister—R/H	AFH1748	11	1			
15	Nozzle—demister L/H	AFH1740	12	1			
16	Screw fixing nozzle	AFH2587	13	4	53K126		AFH2587 not available; use 53K126
17	Washer spring screw	LWZ203	14	4			
18	Washer plain screw	PWZ203	15	4			
19	Finisher demister nozzle	AAA3496	16	2			Part No. change; was 182143
20	Screw finisher	RTP804	17	4			
21	Ashtray (chrome and black enamel)	AHH5539	18	1			
22	Screw fixing ashtray	PFP604	19	4			
23	Bar assembly badge	AHH5565	20	1			
24	Lighter—cigar	AHH5759	21	1	AHH7010		AHH5759 not available; use AHH7010
25	Mirror assembly—wing—R/H	AHH5526	22	1			
26	Mirror assembly—wing—L/H	AHH5527	23	1			Not available; use component parts
27	Mirror head	57H5435		1			
28	Bracket assembly—R/H	57H5443		1			
29	Bracket assembly—L/H	57H5436		1			
30	Nut - mirror fixing	57H5437		1	FNZ105		57H5437 not available; use FNZ105
31	Washer -shakeproof	LWN405		1			Part No. change; was 57H5438
32	Washer—plain	57H5430		1			
33	Pad—rubber base	57H5440		1			
34	Mirror assembly—wing	BHA4066		2			
35	Mirror head assembly—chrome	14A8196		1			
36	Nut—dome—chrome	14A8226		1			
37	Stem assembly—chrome	37H9915		1			
38	Washer—rubber	37H9917		1	14A8225		37H9917 not available; use 14A8225
39	Washer—steel	PWZ205		1			
40	Bolt	HZS0506		1			

Optional extra

SERVICE PARTS LIST

THE MGA 1600

Item No.	DESCRIPTION	Commencing (C) 68851		Quantity	MODIFICATIONS		REMARKS
		Part Number	Illus. No.		New Part Number	Change Point	
	Sundries—continued						
1	Mirror assembly (boomerang type)	27H9863		2			Europe
2	Mirror—head assembly	37H9947		2			
3	Spring	17H8148		1			
4	Glass	17H8146		1			
5	Ring—glass retaining	17H8147		1			
6	Nut—dome	37H9967		2			
7	Washer	37H9968		2			
8	Collar—move	47H9510		2			
9	Arm assembly	37H9946		2			
10	Ferrule (rubber)	37H9974		2			
11	Nut	37H9970		2			
12	Washer (rubber)	37H9971		2			
13	Washer—shakeproof	37H9972		2			
14	Washer—plain	37H9973		2			
15	Visor—sun	AHH5710	24	2	AHE5000	Com. (C) 81582	
	Coupé						
16	Screw—fixing sun visor	RTP806	25	4			Optional extra
17	Carrier—luggage with fittings	AHH5495	26	1			
18	Screw—luggage carrier to boot lid	PMP0514	27	6			
19	Nut—screw	LNZ204	28	6			
20	Washer—plain—screw	PWZ105	29	6			
21	Blind assembly—radiator	AHH5536	30	1			
22	Cable—blind to chain	7H9832	31	1			
23	Ball chain with knob	7H9833	32	1			
24	Roller and blind	7H9834	33	1			
25	Motif '1600'—bonnet	AHH5914	34	2			
26	Motif '1600 Mk. II'—bonnet			2	AHH6083	Fin. (C) 100351 Com. (C) 100352	
27	Push on fix—motif	BHA4082	35	4			
28	Rim—safety—rear view mirror	France		1	AHH5982	Com. (C) 79663	Coupé
29	Pad—sound deadener—bulkhead (foam rubber)	R.H.D.	36	1			
30	Pad—sound deadener—bulkhead (foam rubber)	L.H.D.		1			
31	Pad—heater cover plate (foam rubber)	AHH5598	37	1			
32	Plug—sealing—trunk floor			6	CFP375	Com. (C) 102737	
33	Button—blinking—ignition switch hole	BHA4251		1			For use when steering lock is fitted
34	Button—blinking—starter pull hole	BHA4255		1			
35	Grommet—blinking—starter control hole	RFR209		1			



B1457

SERVICE PARTS LIST

THE MGA 1600

Item No.	DESCRIPTION	Commencing (C) 68851		Quantity	MODIFICATIONS		REMARKS
		Part Number	Illus. No.		New Part Number	Change Point	
	HEATING AND VENTILATING EQUIPMENT (Optional Extra)						
1	Heater kit	AHH5422		1			
2	Heater unit assembly	AHH5423		1			
3	Cover	7H1998		1			
4	Cover—motor side	17H2400		2			
5	Clip—cover	17H1595		3			
6	Tube assembly—air intake	17H2401		4			
7	Flap—valve	7H1996		5			
8	Spindle	17H1802		6			
9	Screw—flap	AJD1744Z		7			
10	Washer—screw	17H1608		8			
11	Clamp—cable	7H1907		9			
12	Screw—clamp	58K126		10			
13	Washer—shakeproof—screw	LWZ408		11			
14	Nut—screw	FNZ103		12			
15	Screw—air intake tube to heater cover	AJD1012		13			
16	Washer—spring—screw	LWZ303		14			
17	Door assembly—outlet	7H1905		1			Not available; use components
18	Door assembly—outlet	17H2403		15			
19	Clamp—cable	7H1907		16			
20	Screw—clamp	58K126		17			
21	Washer—shakeproof—screw	LWZ408		18			
22	Nut—screw	FNZ103		19			
23	Bracket—cable clamp	27H1190		20			
24	Screw—bracket to door assembly	PJZ602		21			
25	Screw—outlet door to heater	PJZ602		22			
26	Radiator	27H1480		23	17H1590		27H1480 not available; use 17H1590
27	Grommet	7H1993		24			
28	Motor and runner assembly	17H1		1			Not available; use components
29	Motor and mounting plate	7H6836		25			
30	Runner	17H1574		26			
31	Nut—collet	27H602		27			
32	Screw—motor to cover	AJD1012		28			
33	Washer—spring—screw	LWZ303		29			
34	Washer—plain—screw	PWZ103		30			
35	Lever control assembly—less cables	AHH5531		1			
36	Escutcheon—heater control unit	17H518		31			
37	Lever control sub assembly	7H1985		32			
38	Lever and switch assembly	7H1986		1			
39	Knob	7H1980		33	17H490		7H1980 not available; use 17H490
40	Bolt	27H1208		2			
41	Spacer (long) 5/8"	24B682		2			
42	Spacer (short) 1/4"	24B683		2			
43	Control cable and knob assembly—air	AHH5601		34			
44	Knob	17H827		35			
45	Control cable and knob assembly—demist	AHH5602		36			
46	Knob	17H827		37			

SERVICE PARTS LIST

THE MGA 1600

Item No.	DESCRIPTION	Commencing (C) 68851		Quantity	MODIFICATIONS		REMARKS
		Part Number	Illus. No.		New Part Number	Change Point	
	Heater and Ventilating Equipment—continued						
1	Tube—demister	14A5754	38	2			Part No. change; was AHH5426
2	Screw—fixing demister tube	AHH5591	39	6			
3	Hose—air (14")	AHH5427	40	1			
4	Hose—air (25")	AHH5428	41	1			
5	Hose—air (31")	AHH5430	42	1			
6	Adaptor	AHH5429	43	2			
7	Clip	14G800	44	1			
8	Clip (large)	AHH5714	45	2			
9	Screw—clip	PMZ0316	46	2			
10	Washer—spring—screw	LWZ203	47	2			
11	Nut—screw	FNZ103	48	2			
12	Valve assembly—water	BHA4132	49	1			
13	Gasket—water valve	AHH5433	50	1			
14	Screw—water valve	HZS0406		1			
15	Screw—water valve	HZS0407		1			
16	Union—water	AMK8847	51	1			
17	Washer	AAA4657	52	1			Part No. change; was 300398
18	Hose—water (2½")	AHH5434	53	1			Not available; use 37H537
19	Pipe—return water	AHH5435	54	1			
20	Clip	PCR0813	55	2			Part No. change; was AHH5436
21	Hose—water (12½")	AHH5437	56	1			Not available; use 37H537
22	Hose—water (14")	AHH5438	57	1			
23	Hose—water	37H537		A/R			Supplied in multiples of feet
24	Clip—hose	301140	58	6			
25	Trunnion	14G6451	59	4			
26	Screw—trunnion	53K155	60	4			
27	Clip—cable	AHH5440	61	1			
28	Hose—air	AHH5394	62	1			
29	Cable assembly	AHH5529	63	1			
30	Cold air kit	AHH5532		1			
31	Case assembly	AHH5537		1			
32	Switch and knob	AHH5910		1			
33	Trunnion	14G6451		1			
34	Hose—air (31")	AHH5430		1			
35	Clip	14G800		1			
36	Clip—large	AHH5714		2			
37	Washer—spring	LWZ203		2			
38	Nut	FNZ103		2			
39	Hose—air	AHH5394		1			
40	Cable and knob assembly—air control	AHH5750		1			
41	Bracket—push pull control	AHH5911		1			
42	Bracket—switch	AHH5912		1			
43	Screw fixing bracket	17H1940		4	PTZ603		17H1940 not available; use PTZ603