

Item No.	DESCRIPTION	Commencing (E) 101		Qty. per Veh.	MODIFICATIONS		REMARKS
		Part Number	Illus. No.		New Part Number	Change Point	
	ENGINE						
	ENGINE UNIT						
1	Stripped engine	AEH37		1			
2	Half engine	AEH36		1			
3	Block assembly—cylinder	AEH35	1	1			
4	Plug for core hole	AEH592	2	4			
5	Plug for oil gallery	1H813	3	1			
6	Plug for oil filter boss	11G14	4	1			
7	Plug for oil relief valve hole	6K899	5	2			
8	Plug for crankcase oil hole (taper)	6K874	6	2			
9	Plug for oil gallery	2K8623	7	3			
10	Plug for oil hole (screwed)	2K4992	8	1			
11	Washer for plug	6K638	9	1			
12	Stud for cylinder head	AEH549	10	10			
13	Stud for main bearing cap	51K894	11	6			
14	Washer for stud (spring)	LWN208	12	6			
15	Nut for stud	LNN208	13	6			
16	Stud for oil pump	AEH601	14	3			
17	Washer for stud (plain)	PWN105	15	3			
18	Washer for stud (spring)	2K5319	16	3			
19	Nut for stud	FNN105	17	3			
20	Stud for Tachometer drive housing	CLS2511	18	2			
21	Washer for stud (plain)	PWZ105	19	2			
22	Washer for stud (spring)	LWZ205	20	2			
23	Nut for stud	FNZ105	21	2			
24	Plate—blanking	1G2443	22	1			
25	Joint for plate	1G2444	23	1			
26	Stud for plate	53K257	24	2			
27	Washer for stud (spring)	LWZ205	25	2			
28	Nut for stud	FNZ105	26	2			
29	Dowel for engine rear plate	1G752	27	2			
30	Dowel for engine front plate	AEH307	28	1			
31	Dowel for engine front plate and timing case	AEH308	29	1			
32	Tap—water drain	3H576	30	1			
33	Washer for tap	2K4954	31	1] Alternatives
34	Washer for tap	2K4975		1			
35	Liner for half-speed shaft	8G2176	32	1			
36	Cap for main bearing (front)	N.S.P.	33				
37	Cap for main bearing (centre)	N.S.P.	34				
38	Cap for main bearing (rear)	N.S.P.	35				
39	Joint for front and rear main bearing caps	1H353	36	2			

Item No.	DESCRIPTION	Commencing (E) 101		Qty. per Veh.	MODIFICATIONS		REMARKS
		Part Number	Illus. No.		New Part Number	Change Point	
	Engine Unit—continued						
1	Piston assembly (standard)	AEH554	.37	4	AEH616		
2	Piston assembly (.010" [.254 mm] o/s)	AEH055410		4	AEH061610		
3	Piston assembly (.020" [.508 mm] o/s)	AEH055420		4	AEH061620	Com. (E) 446	
4	Piston assembly (.030" [.762 mm] o/s)	AEH055430		4	AEH061630		
5	Piston assembly (.040" [1.016 mm] o/s)	AEH055440		4	AEH061640		
6	Piston assembly (standard)			4	AEH640		
7	Piston assembly (.010" [.254 mm] o/s)			4	AEH064010		
8	Piston assembly (.020" [.508 mm] o/s)			4	AEH064020	Com. (E) 606	
9	Piston assembly (.030" [.762 mm] o/s)			4	AEH064030		
10	Piston assembly (.040" [1.016 mm] o/s)			4	AEH064040		
11	Piston assembly (standard)			4	AEH673		
12	Piston assembly (.010" [.254 mm] o/s)			4	AEH067310		
13	Piston assembly (.020" [.508 mm] o/s)			4	AEH067320	Com. (E) 2057	
14	Piston assembly (.030" [.762 mm] o/s)			4	AEH067330		
15	Piston assembly (.040" [1.016 mm] o/s)			4	AEH067340		
16	Piston assembly (standard)			4	AEH681		
17	Piston assembly (.010" [.254 mm] o/s)			4	AEH068110		
18	Piston assembly (.020" [.508 mm] o/s)			4	AEH068120	Com. (E) 2251	
19	Piston assembly (.030" [.762 mm] o/s)			4	AEH068130		
20	Piston assembly (.040" [1.016 mm] o/s)			4	AEH068140		
21	Ring compression—chrome (standard)	AEH556	.38	4	AEH649		
22	Ring compression—chrome (.010" [.254 mm] o/s)	AEH055610		4	AEH064910		
23	Ring compression—chrome (.020" [.505 mm] o/s)	AEH055620		4	AEH064920	Com. (E) 606	
24	Ring compression—chrome (.030" [.762 mm] o/s)	AEH055630		4	AEH064930	Fin. (E) 2250	
25	Ring compression—chrome (.040" [1.016 mm] o/s)	AEH055640		4	AEH064940		
26	Ring compression—cast iron (standard)			4	AEH682		
27	Ring compression—cast iron (.010" [.254 mm] o/s)			4	AEH068210		
28	Ring compression—cast iron (.020" [.508 mm] o/s)			4	AEH068220	Com. (E) 2251	
29	Ring compression—cast iron (.030" [.762 mm] o/s)			4	AEH068230		
30	Ring compression—cast iron (.040" [1.016 mm] o/s)			4	AEH068240		
31	Ring compression—taper (standard)	AEH557	.39	8			
32	Ring compression—taper (.010" [.254 mm] o/s)	AEH055710		8			
33	Ring compression—taper (.020" [.508 mm] o/s)	AEH055720		8			
34	Ring compression—taper (.030" [.762 mm] o/s)	AEH055730		8			
35	Ring compression—taper (.040" [1.016 mm] o/s)	AEH055740		8			

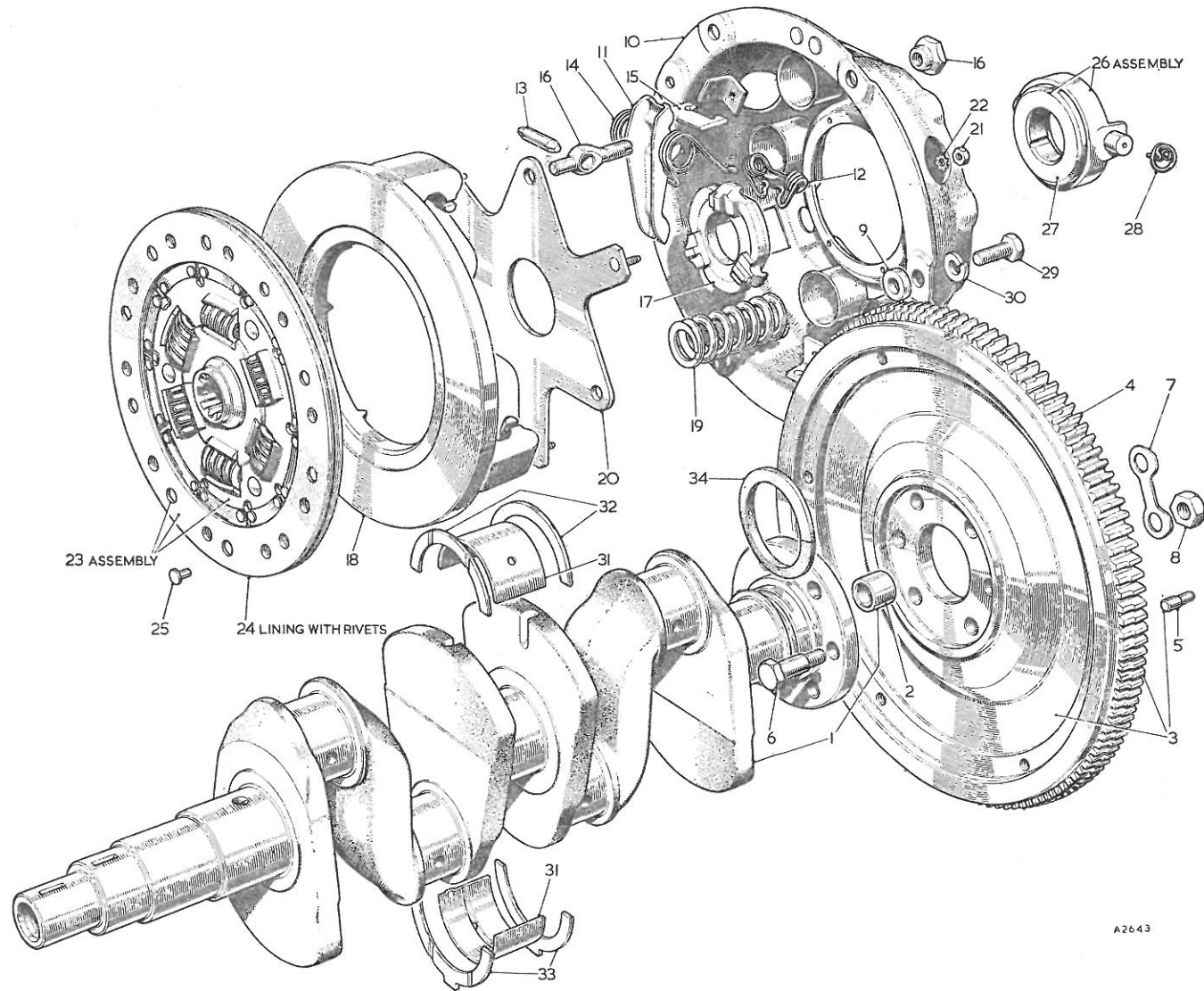
For all replacements see service memo MG/307 and MG/325

9:9 to 1 compression ratio should be confined to competition work with 100 octane fuel see service memo MG/325

For all replacements See service memo MG/307

Item No.	DESCRIPTION	Commencing (E) 101		Qty. per Veh.	MODIFICATIONS		REMARKS
		Part Number	Illus. No.		New Part Number	Change Point	
	Engine Unit—continued						
1	Ring—scraper (standard)	AEH558	40	4			
2	Ring—scraper (.010" [.254 mm] o/s)	AEH055810		4		Fin. (E) 445	For all replacements See service memo MG/307
3	Ring—scraper (.020" [.508 mm] o/s)	AEH055820		4			
4	Ring—scraper (.030" [.762 mm] o/s)	AEH055830		4			
5	Ring—scraper (.040" [1.016 mm] o/s)	AEH055840		4			
6	Ring—twin segment scraper (standard)			4	AEH615		
7	Ring—twin segment scraper (.010" [.254 mm] o/s)			4	AEH061510	Com. (E) 446	
8	Ring—twin segment scraper (.020" [.508 mm] o/s)			4	AEH061520		
9	Ring—twin segment scraper (.030" [.762 mm] o/s)			4	AEH061530	Com. (E) 2057	
10	Ring—twin segment scraper (.040" [1.016 mm] o/s)			4	AEH061540		
11	Ring—twin segment scraper (standard)			4	AEH672		
12	Ring—twin segment scraper (.010" [.254 mm] o/s)			4	AEH067210		
13	Ring—twin segment scraper (.020" [.508 mm] o/s)			4	AEH067220		
14	Ring—twin segment scraper (.030" [.762 mm] o/s)			4	AEH067230		
15	Ring—twin segment scraper (.040" [1.016 mm] o/s)			4	AEH067240		
16	Ring—expander			4	AEH680	See service memo MG/307	
17	Pin—Gudgeon (standard)	AEH441	41	4			
18	Circlip	CCN214	42	8			

Item No.	DESCRIPTION	Commencing (E) 101		Qty. per Veh.	MODIFICATIONS		REMARKS
		Part Number	Illus. No.		New Part Number	Change Point	
	Engine Unit—continued						
1	Piston assembly (standard)			4	AEH690] Service purposes] 8:3 compression ratio for use with fuel below 95 octane see service memo MG/325
2	Piston assembly (.010" [.254 mm] o/s)			4	AEH069010		
3	Piston assembly (.020" [.508 mm] o/s)			4	AEH069020		
4	Piston assembly (.030" [.762 mm] o/s)			4	AEH069030		
5	Piston assembly (.040" [1.016 mm] o/s)			4	AEH069040		
6	Ring compression—cast iron (standard)			4	AEH682		
7	Ring compression—cast iron (.010" [.254 mm] o/s)			4	AEH068210		
8	Ring compression—cast iron (.020" [.508 mm] o/s)			4	AEH068220		
9	Ring compression—cast iron (.030" [.762 mm] o/s)			4	AEH068230		
10	Ring compression—cast iron (.040" [1.016 mm] o/s)			4	AEH068240		
11	Ring compression—taper (standard)			4	AEH557		
12	Ring compression—taper (.010" [.254 mm] o/s)			4	AEH055710		
13	Ring compression—taper (.020" [.508 mm] o/s)			4	AEH055720		
14	Ring compression—taper (.030" [.762 mm] o/s)			4	AEH055730		
15	Ring compression—taper (.040" [1.016 mm] o/s)			4	AEH055740		
16	Ring compression—third (standard)			4	AEH693		
17	Ring compression—third (.010" [.254 mm] o/s)			4	AEH069310		
18	Ring compression—third (.020" [.508 mm] o/s)			4	AEH069320		
19	Ring compression—third (.030" [.762 mm] o/s)			4	AEH069330		
20	Ring compression—third (.040" [1.016 mm] o/s)			4	AEH069340		
21	Ring—twin segment scraper (standard)			4	AEH692		
22	Ring—twin segment scraper (.010" [.254 mm] o/s)			4	AEH069210		
23	Ring—twin segment scraper (.020" [.508 mm] o/s)			4	AEH069220		
24	Ring—twin segment scraper (.030" [.762 mm] o/s)			4	AEH069230		
25	Ring—twin segment scraper (.040" [1.016 mm] o/s)			4	AEH069240		
26	Ring—expander			4	AEH680		
27	Pin—gudgeon (standard)		41	4	AEH441		
28	Circlip		42	8	CCN214		

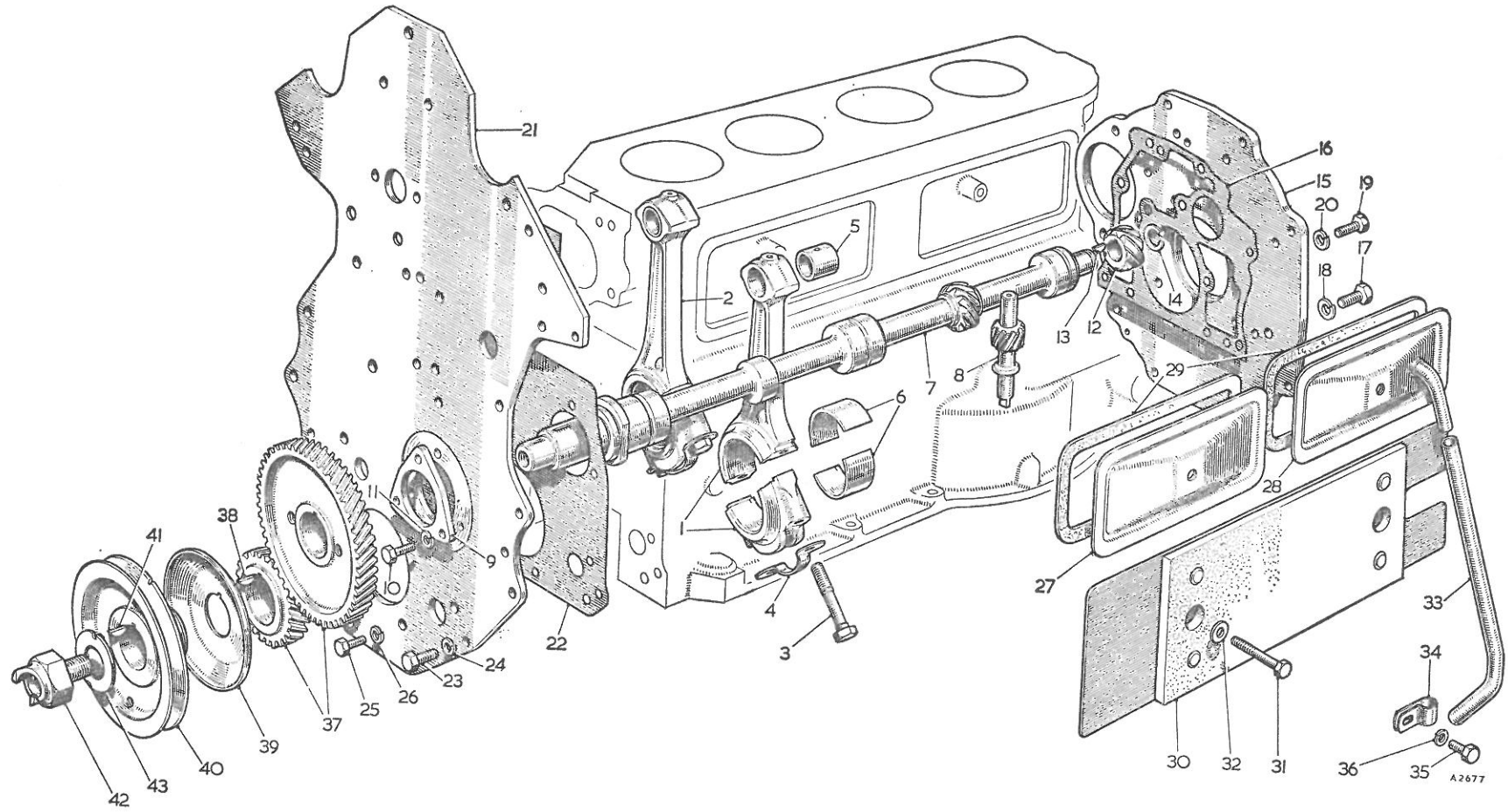


A2643

SERVICE PARTS LIST

THE MG Series MGA TWIN CAM

Item No.	DESCRIPTION	Commencing (E) 101		Qty. per Veh.	MODIFICATIONS		REMARKS
		Part Number	Illus. No.		New Part Number	Change Point	
	CRANKSHAFT, FLYWHEEL, CLUTCH						
1	Crankshaft assembly with flywheel and clutch	AEH44		1			
2	Crankshaft with bush	AEH424	1	1			
3	Bush for drive gear	IG765	2	1			
4	Flywheel complete	AEH442	3	1			
5	Ring—starter	IG2874	4	1			
6	Dowel—clutch to flywheel	AEH541	5	2			
7	Bolt—flywheel to crankshaft	51K1022	6	6			
8	Washer for bolt (lock)	6K26	7	3			
9	Nut for bolt	FNZ506	8	6			
10	Clutch assembly	N.S.P.					
11	Cover assembly—clutch	27H3248		1			
12	Washer—distance	AEH650	9	6			
13	Cover—clutch	N.S.P.	10				
14	Lever—release	27H3223	11	3			
15	Retainer for release lever	7H3001	12	3			
16	Pin for release lever	7H3067	13	3			
17	Spring—anti rattle	7H3171	14	3			
18	Strut—release lever	7H3069	15	3			
19	Eyebolt and nut	27H3157	16	3			
20	Eyebolt	7H3197		3			
21	Nut	7H3193		3			
22	Plate—release lever	7H3213	17	1			
23	Plate—pressure	27H3224	18	1			
24	Spring—pressure plate	7H3169	19	6			
25	Spider assembly	27H3225	20	1			
26	Nut for spider rivet	17H7448	21	3			Part No. change was AJD7404
27	Washer for nut (shakeproof)	LWZ503	22	3			
28	Plate assembly—driven	27H3241	23	1			
29	Lining and rivets	8G8349	24	1			
30	Rivet	7H3078	25	22			
31	Bearing assembly—release	7H3214	26	1			
32	Bearing	7H3277	27	1			
33	Retainer—bearing	7H3048	28	2			
34	Screw—clutch to flywheel	HNS0507	29	6			
35	Washer for screw (spring)	2K5319	30	6			
36	Bearing—crankshaft main (standard)	8G2257	31	1 set			
37	Washer—thrust—upper (standard)	IG2331	32	2			
38	Washer—thrust—upper (.003" [.0762 mm] o/s)	IG233103		2			
39	Washer—thrust—lower (standard)	IG2332	33	2			
40	Washer—thrust—lower (.003" [.0762 mm] o/s)	IG233203		2			
41	Seal—crankshaft rear oil	AEH519	34	1			



SERVICE PARTS LIST

THE MG Series MGA TWIN CAM

Item No.	DESCRIPTION	Commencing (E) 101		Qty. per Veh.	MODIFICATIONS		REMARKS
		Part Number	Illus. No.		New Part Number	Change Point	
CONNECTING RODS—BEARINGS							
1	Connecting rod and cap + 2 (Nos. 2 and 4 cylinder)	AJH5307	1	2	Fin (E) 1342	Com (E) 1343	Replaces standard +1, +2, +3, +4, +5
2	Connecting rod and cap + 2 (Nos. 1 and 3 cylinder)	AJH5313	2	2			
3	Connecting rod and cap + 7 (Nos. 2 and 4 cylinder)	AJH5308		2			
4	Connecting rod and cap + 7 (Nos. 1 and 3 cylinder)	AJH5314		2			
5	Connecting rod and cap + 13 (Nos. 2 and 4 cylinder)	AJH5309		2			
6	Connecting rod and cap + 13 (Nos. 1 and 3 cylinder)	AJH5315		2			
7	Connecting rod and cap 2 (Nos. 2 and 4 cylinder)	AJH5310		2			
8	Connecting rod and cap 2 (Nos. 1 and 3 cylinder)	AJH5316		2			
9	Connecting rod and cap 7 (Nos. 2 and 4 cylinder)	AJH5311		2			
10	Connecting rod and cap 7 (Nos. 1 and 3 cylinder)	AJH5317		2			
11	Connecting rod and cap 13 (Nos. 2 and 4 cylinder)	AJH5312		2			
12	Connecting rod and cap 13 (Nos. 1 and 3 cylinder)	AJH5318		2			
13	Connecting rod and cap (Nos. 2 and 4 cylinder)			2			
14	Connecting rod and cap (Nos. 1 and 3 cylinder)			2	AEH644		
15	Bolt for cap	AEH435	3	8	AEH647	Com (E) 1343	
16	Washer for bolt	6K881	4	4	AEH648		
17	Bush—small-end	AEC977	5	4	AEC882	Com (E) 710	Use AEC882 in lieu of AEC797
18	Bearing for connecting rod—big end (standard)	8G2259	6	1			
HALF SPEED SHAFT							
19	Shaft—half speed	AEH444	7	1	AEH619	Com (E) 313	Always use AEH619 in lieu of AEH444 together with 1 off spindle AEH620 prior to (E) 313 Always use AEH620 in lieu of AEH459 together with 1 off shaft AEH619 prior to (E) 313
20	Spindle—oil pump driving	AEH495	8	1	AEH620	Com (E) 313	
21	Plate—locating	AEH608	9	1			
22	Screw—plate to crankcase	HNS0406	10	3			
23	Washer for screw (spring)	LWN204	11	3			
24	Gear—tachometer drive	AEH454	12	1			
25	Key for gear	WKN304	13	1			
26	Circlip for gear	1H605	14	1			
ENGINE MOUNTING PLATE							
27	Plate—engine mounting (rear)	AEH618	15	1			
28	Joint—plate to crankcase	1G2425	16	1			
29	Screw—plate to crankcase	HZS0607	17	8			
30	Washer for screw (spring)	LWZ206	18	8			
31	Screw—plate to crankcase	HZS0507	19	4			
32	Washer for screw (spring)	LWZ205	20	4			
33	Plate—engine mounting (front)	AEH318	21	1			
34	Joint—plate to crankcase	AEH319	22	1			
35	Screw—plate to crankcase	HNS0505	23	6			
36	Washer for screw (spring)	LWZ205	24	6			
37	Screw—plate to bearing cap	HNS0405	25	2			
38	Washer for screw (spring)	LWN204	26	2			

SERVICE PARTS LIST

THE MG Series MGA TWIN CAM

Item No.	DESCRIPTION	Commencing (E) 101		Qty. per Veh.	MODIFICATIONS		REMARKS
		Part Number	Illus. No.		New Part Number	Change Point	
CYLINDER SIDE COVERS							
1	Cover for cylinder side (front)	2A770	27	1			
2	Cover for cylinder side (rear)	1A2199	28	1	12H155		1A2199 not available use 12H155
3	Joint for cover	1A2203	29	2	12H24		1A2203 not available use 12H24
4	Heat shield	AEH584	30	1			
5	Screw—cover and heat shield to crankcase	HBZ0513	31	2			
6	Washer for screw (copper)	AEC461	32	2			
7	Pipe—vent	AEH543	33	1	AEH628	Com (E) 657	Always supply AEH628 in lieu of AEH 543 together with 1 off 1G1309
8	Clip for vent pipe	11G80	34	1	1G1309	Com (E) 657	
9	Bolt—clip to crankcase	HZS0505	35	1		Fin (E) 656	
10	Washer for bolt (spring)	LWZ205	36	1			
CRANKSHAFT GEAR—OIL THROWER PULLEY—STARTING NUT							
11	Gear for crankshaft	AEH426	37	1			Always use AEH79— matched pair
12	Gears for crankshaft and half speed shaft	AEH79		1 pr.			
13	Key for gear	2H326	38	1			
14	Thrower—oil	AEH427	39	1			
15	Pulley for crankshaft	AEH428	40	1			
16	Key for pulley	2H326	41	1			
17	Nut—starting	1H765	42	1			
18	Washer for nut (lock)	AEH429	43	1			

SERVICE PARTS LIST

THE MG Series MGA TWIN CAM

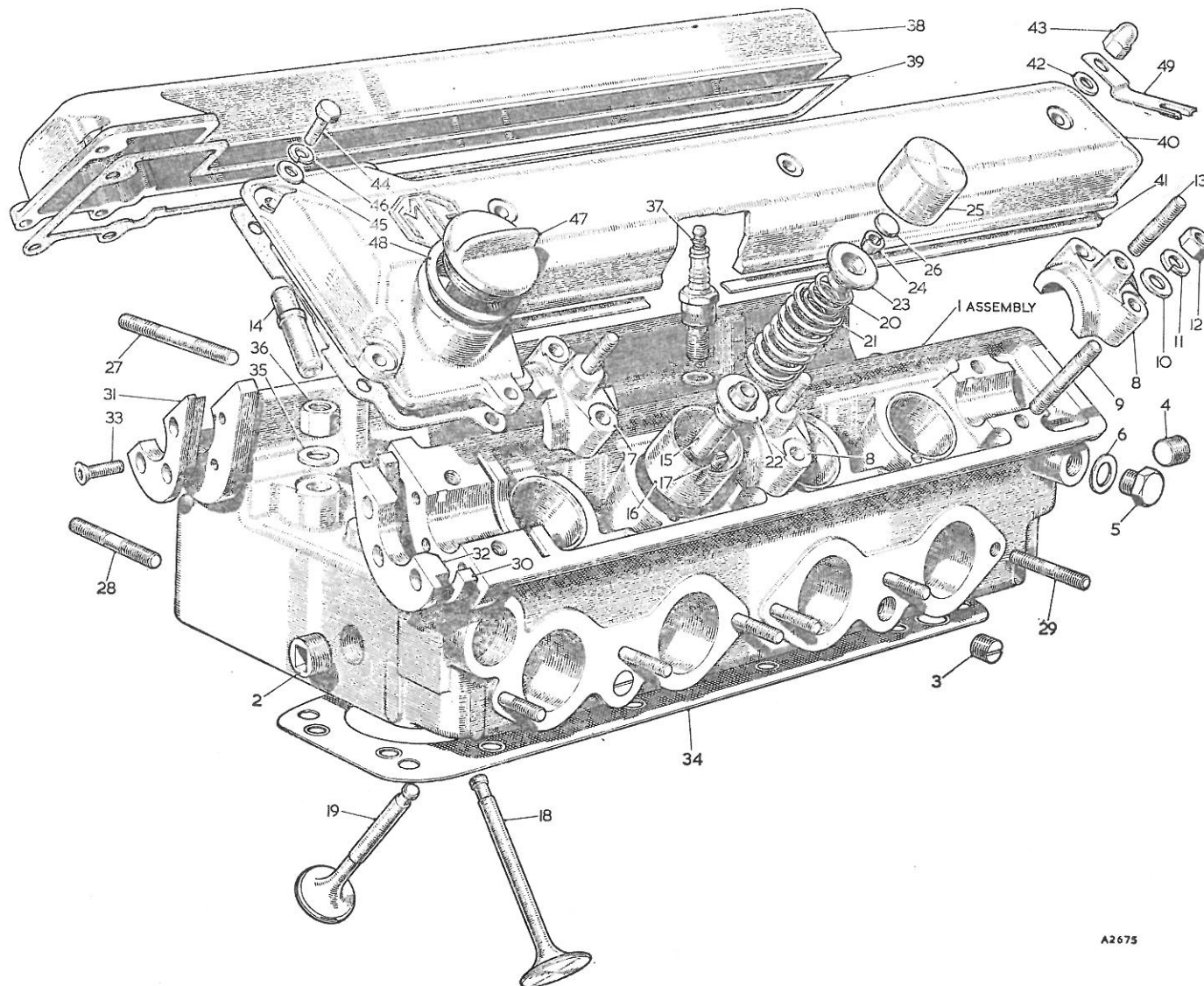
Item No.	DESCRIPTION	Commencing (E) 101		Qty. per Veh.	MODIFICATIONS		REMARKS
		Part Number	Illus. No.		New Part Number	Change Point	
	CAMSHAFT—CAMSHAFT DRIVE						
1	Camshaft—inlet	AEH579	1	1			
2	Plug	AEH408	2	1			
3	Camshaft—exhaust	AEH581	3	1			
4	Plug	AEH408	4	1			
5	Bearing for camshaft	8C2261	5	1			
6	Sprocket for camshaft	AEH411	6	2			
7	Spindle for sprocket	AEH412	7	2			
8	Circlip for spindle	CCN108	8	2			
9	Bolt for sprocket	AEH413	9	4			
10	Sprocket—chain idler	AEH336	10	1			
11	Bush	N.S.P.	11	1			
12	Hub for sprocket	AEH25	12	1			
13	Screw—hub to engine front plate	HZS0505	13	2			
14	Washer for sprocket (thrust)	AEH339	14	1			
15	Nut for sprocket	AEH340	15	1			
16	Washer for screw (tab)	AEH341	16	1			
17	Chain wheel—half speed shaft	AEH448	17	1			
18	Key for chainwheel	WKN505	18	1			
19	Shim—half speed shaft (.002")	AEH446	19	A.R.			
20	Shim—half speed shaft (.003")	AEH447		A.R.			
21	Gear—half speed shaft	AEH449		1			Always use AEH79— matched pair.
22	Gears for crankshaft and half speed shaft	AEH79	20	1 Pr.			
23	Key for gear	WKN505	21	1			
24	Gear—distributor drive	AEH450	22	1			
25	Key for gear	WKN304	23	1			
26	Bolt—half speed shaft	AEH451	24	1			
27	Washer for bolt	AEH452	25	1			
28	Washer for bolt (lock)	AEH453	26	1			
29	Chain for camshaft drive	AEH372	27	1			
30	Bracket assembly—chain vibration damper	AEH332	28	2			
31	Damper	AEH334	29	2			
32	Rivet for damper	CRS0207	30	4			
33	Screw—damper bracket to engine front plate	HZS0506	31	4			
34	Washer for screw	AEC398		4			
35	Washer for screw (spring)	LWZ205	32	4			
36	Nut for screw	FNZ105	33	4			
37	Fork—chain adjuster	AEH344	34	1			
38	Pad—thrust	AEH346	35	1			
39	Sprocket—chain adjuster fork	AEH347	36	1			
40	Bush	N.S.P.	37	2			
41	Hub for sprocket	AEH349	38	1			
42	Peg—locating	AEH540	39	1			
43	Circlip for hub	CCN118	40	1			
44	Pivot—chain adjuster fork	AEH342	41	1			
45	Washer for pivot (plain)	PWZ208	42	1			
46	Washer for pivot (tab)	AEH343	43	1			
47	Nut for pivot	FNZ208	44	1	AEH623	Com. (E) 329	Always supply AEH623 prior to (E) 329.

Item No.	DESCRIPTION	Commencing (E) 101		Qty. per Veh.	MODIFICATIONS		REMARKS
		Part Number	Illus. No.		New Part Number	Change Point	
	Camshaft and camshaft drive—continued						
1	Adjuster—chain	AEH27	45	1			
2	Screw	AEH362	46	1			
3	Nut for screw (lock)	51K1712	47	1			
4	Spring	AEH561	48	1			
5	Thimble	AEH368	49	1			
6	Plunger	AEH369	50	1			
7	Bolt—adjuster to engine front plate	AEH370	51	2			
8	Nut for bolt	FNZ104	52	2			
9	Washer for bolt (tab.)	AEH371	53	2			
10	Pipe assembly—oil feed	AEH351	54	1			
11	Banjo	N.S.P.	55	1			
12	Olive	6K649	56	2			
13	Nut for olive	2A459	57	2			
14	Joint for oil feed pipe pillar	6K4973	58	1			
15	Washer for oil feed pipe pillar (spring)	LWZ205	59	1			
16	Nut for oil feed pipe pillar	FNZ105	60	1			
17	Bolt—oil feed pipe to adjuster fork pivot (banjo)	AEH359	61	1			
18	Washer for banjo bolt	AEC346	62	2			
19	Washer for adjuster fork pivot	AEH515	63	1			
20	Bracket for oil feed pipe	AEH357	64	1			
21	Screw—bracket to crankcase	HNS0409	65	1			
22	Washer for screw (plain)	PWN104	66	1			
23	Washer for screw (spring)	LWN204	67	1			
24	Bolt—bracket to crankcase (banjo)	AEH360	68	1			
25	Washer for banjo bolt	AEH520	69	1			
26	Case—front timing	AEH28	70	1			
27	Stud for water pump	CHS0520	71	3			
28	Washer for stud (spring)	LWZ205	72	3			
29	Nut for stud	FNZ105	73	3			
30	Stud for distributor drive housing	CLS2511	74	2			
31	Washer for stud (plain)	PWZ105	75	2			
32	Washer for stud (spring)	LWZ205	76	2			
33	Nut for stud	FNZ105	77	2			
34	Stud—camshaft sprocket support plate	AEH375	78	4			
35	Nut for stud	FNN105	79	4			
36	Oil seal	AEJ5	80	1			
37	Joint—timing case to engine front plate	AEH377	81	1			
38	Dowel—timing case to engine front plate	AEH307	82	1			
39	Clinch nut—timing case to engine front plate	AEH320	83	2			
40	Bolt—timing case to engine front plate	AEH378	84	1			

SERVICE PARTS LIST

THE MG Series MGA TWIN CAM

Item No.	DESCRIPTION	Commencing (E) 101		Qty. per Veh.	MODIFICATIONS		REMARKS
		Part Number	Illus. No.		New Part Number	Change Point	
	Camshaft—camshaft drive—continued						
1	Screw—timing case to engine front plate (1" long).....	HZS0508	85	5			
2	Screw—timing case to engine front plate (7/8" long)	ZSC0507	86	2/1			Quantity reduced at (E) 556
3	Bolt—cable clamp and timing case to engine front plate			1	HCZ0514	Com. (E) 556	
4	Washer for bolt and screw (plain)	PWZ105	87	7			
5	Washer for bolt and screw (spring)	LWZ205	88	8			
6	Nut for screw	FNZ105	89	5			
7	Bolt—timing case to engine front plate and crankcase (1 1/8" long)	HZS0509	90	3			Part No. change was HBN0509
8	Washer for bolt (plain)	PWZ105	91	3			
9	Washer for bolt (spring)	LWZ205	92	3			
10	Bolt—timing case and thermostat housing to front plate (1 1/4" long)	HBZ0510	93	1			
11	Washer for bolt (plain)	PWZ105	94	1			
12	Washer for bolt (spring)	LWZ205	95	1			
13	Nut for bolt	FNZ105	96	1			
14	Plate—camshaft sprocket support	AEH376	97	2			



A2675

SERVICE PARTS LIST

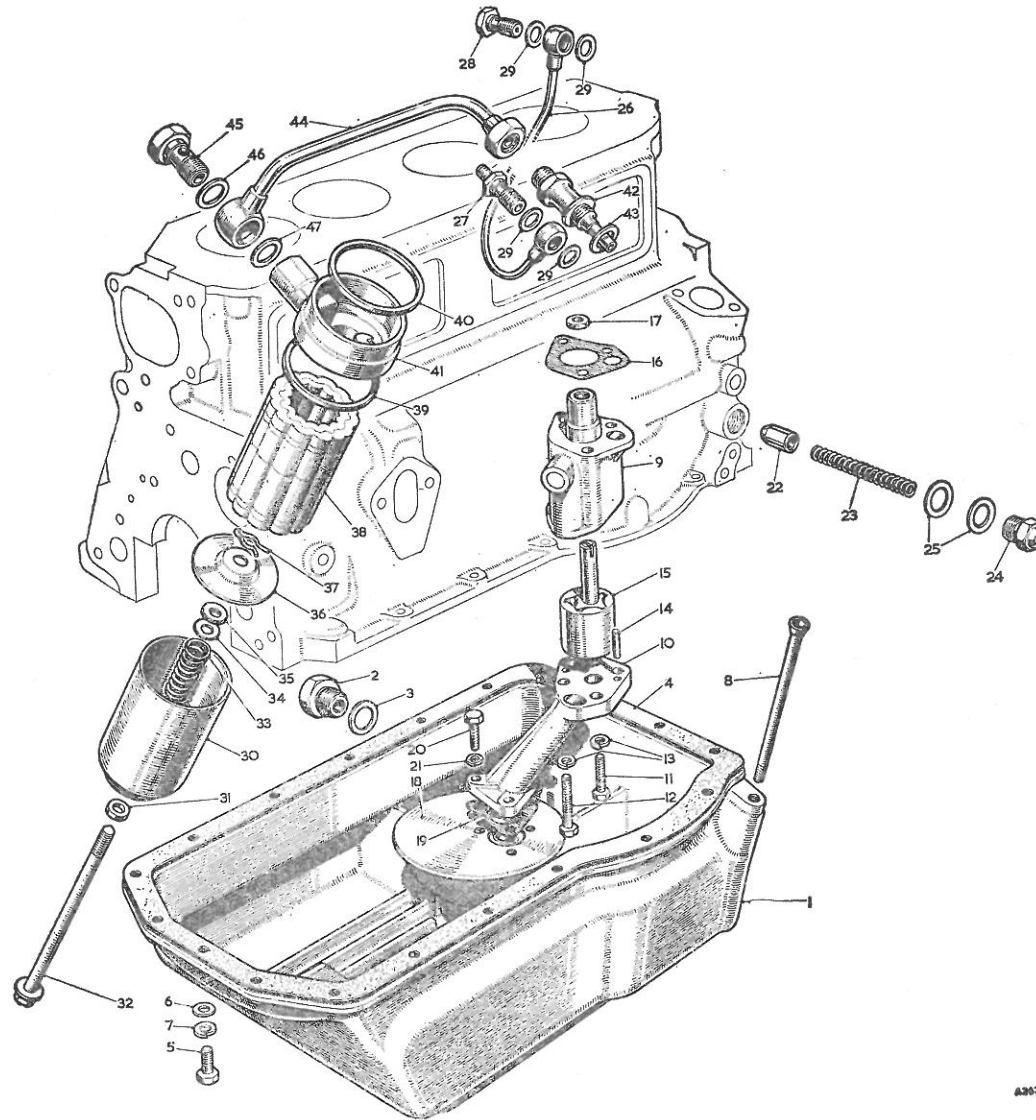
THE MG Series MGA TWIN CAM

Item No.	DESCRIPTION	Commencing (E) 101		Qty. per Veh.	MODIFICATIONS		REMARKS
		Part Number	Illus. No.		New Part Number	Change Point	
	CYLINDER HEAD—VALVES—GUIDES—SPRINGS—TAPPETS						
1	Cylinder head with valve assembly	AEH39		1			
2	Cylinder head with valve guides—assembly	AEH29		1			
3	Plug for core hole—screwed	6K499		2			
4	Plug for core hole—screwed	AEH388		3			
5	Plug for core hole—screwed	AEH606		4			
6	Plug for oil gallery—screwed	2K4991		5			
7	Washer for plug (copper)	AEC343		6			
8	Cap for camshaft bearing (front)	N.S.P.		7			
9	Cap for camshaft bearing (centre and rear)	N.S.P.		8			
10	Stud for bearing cap	AEH390		9	12		
11	Washer for stud (plain)	PWN106		10	12		
12	Washer for stud (spring)	LWN206		11	12		
13	Nut for stud	FNN106		12	12		
14	Stud—bearing cap to top cover	CLS0512		13	6	CHS0512	CLS0512 not available CHS0512
15	Guide—inlet valve (standard)	AEH386		14	4		
16	Guide—inlet valve (.010" [.254 mm] o/s o/d)	AEH038610			4		
17	Guide—exhaust valve (standard)	AEH387		15	4		
18	Guide—exhaust valve (.010" [.254 mm] o/s o/d)	AEH038710			4		
19	Bush—tappet			16	8	N.S.P.] Com. (E) 1587
20	Plug—screwed			17	8	N.S.P.	
21	Valve—inlet	AEH394		18	4		
22	Valve—exhaust	AEH571		19	4		
23	Spring for valve (inner)	AEH562		20	8	AEH669	Com. (E) 2251
24	Spring for valve (outer)	AEH563		21	8	AEH668	Com. (E) 2251
25	Washer for spring (thrust)	AEH396		22	8		
26	Cup for spring	AEH564		23	8		
27	Retainer for spring (half)	AEH521		24	16		
28	Tappet (standard)	AEH401		25	8	AEH651] Com. (E) 1087
29	Tappet (.010" [.254 mm] o/s)	AEH040110			8	AEH065110	
30	Tappet (standard)				8	AEH677] Com. (E) 2211
31	Tappet (.010" [.254 mm] o/s)				8	AEH067710	

SERVICE PARTS LIST

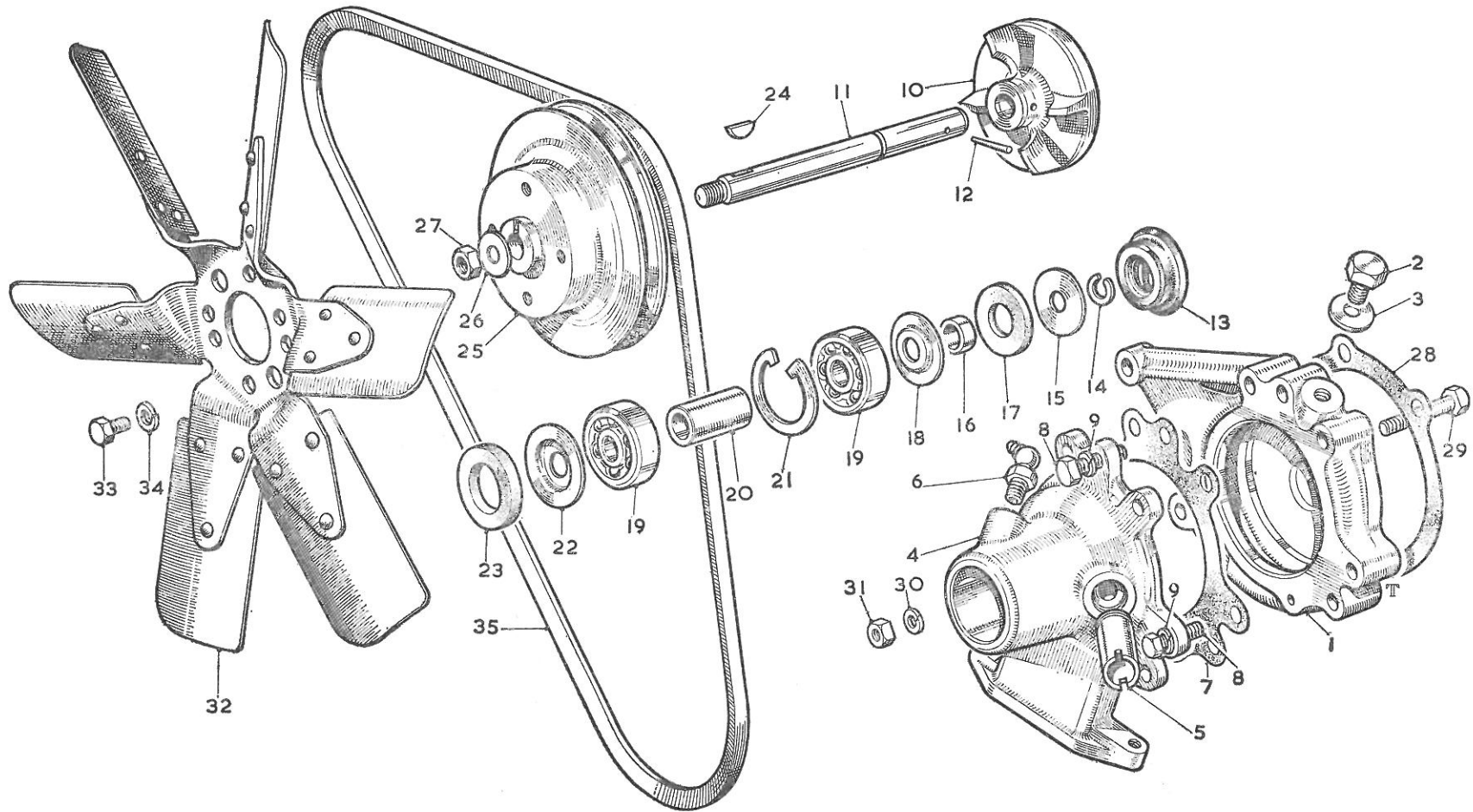
THE MG Series MGA TWIN CAM

Item No.	DESCRIPTION	Commencing (E) 101		Qty. per Veh.	MODIFICATIONS		REMARKS
		Part Number	Illus. No.		New Part Number	Change Point	
	Cylinder Head—Valves—Guides—Springs—Tappets—continued						
1	Shim—tappet adjustment (.086")	AEH400	26	A/R			Identification No. 1
2	Shim—tappet adjustment (.088")	AEH040002		A/R			Identification No. 2
3	Shim—tappet adjustment (.090")	AEH040004		A/R			Identification No. 3
4	Shim—tappet adjustment (.092")	AEH040006		A/R			Identification No. 4
5	Shim—tappet adjustment (.094")	AEH040008		A/R			Identification No. 5
6	Shim—tappet adjustment (.096")	AEH040010		A/R			Identification No. 6
7	Shim—tappet adjustment (.098")	AEH040012		A/R			Identification No. 7
8	Shim—tappet adjustment (.100")	AEH040014		A/R			Identification No. 8
9	Shim—tappet adjustment (.102")	AEH040016		A/R			Identification No. 9
10	Shim—tappet adjustment (.104")	AEH040018		A/R			Identification No. 10
11	Shim—tappet adjustment (.106")	AEH040020		A/R			Identification No. 11
12	Shim—tappet adjustment (.108")	AEH040022		A/R			Identification No. 12
13	Shim—tappet adjustment (.110")	AEH040024		A/R			Identification No. 13
14	Shim—tappet adjustment (.112")	AEH040026		A/R			Identification No. 14
15	Shim—tappet adjustment (.114")	AEH040028		A/R			Identification No. 15
16	Shim—tappet adjustment (.116")	AEH040030		A/R			Identification No. 16
17	Stud for inlet manifold (long)	AEH583	27	2			
18	Stud for inlet manifold (short)	CLS2613	28	5			
19	Stud for exhaust manifold	CHS2513	29	6			
20	Oil seal	AEH404	30	2			
21	Housing for oil seal (inlet)	AEH402	31	1			
22	Housing for oil seal (exhaust)	AEH403	32	1			
23	Screw for housing	AEJ3	33	6			
24	Joint for cylinder head	AEH548	34	1			
25	Washer—cylinder head stud (plain)	AEH632	35	10			
26	Nut—cylinder head stud	AEC139	36	10			
27	Plug—sparking	97H611	37	4			
	CYLINDER HEAD COVERS—OIL FILLER—OIL INDICATOR BRACKET						
28	Cover—cylinder head top (inlet)	AEH414	38	1			
29	Joint for inlet cover	AEH415	39	1			
30	Cover—cylinder head top (exhaust)	AEH416	40	1			
31	Joint for exhaust cover	AEH417	41	1			
32	Washer—cover stud (copper)	AEC398	42	6			
33	Nut for cover stud (cap)	AEH418	43	6			
34	Screw—cover to timing case	ZCS0509	44	6/4			Quantity reduced at (E) 556
35	Bolt—clip and cover to timing case			2	HCZ0510	Com. (E) 556	
36	Washer for screw (plain)	PWZ105	45	6			
37	Washer for screw (spring)	LWZ205	46	6			
38	Cap—oil filler	AEH419	47	1			
39	Washer for filler cap	AEH420	48	1			
40	Bracket—oil indicator steady	AEH570	42	1			



A3674

Item No.	DESCRIPTION	Commencing (E) 101		Qty. per Veh.	MODIFICATIONS		REMARKS
		Part Number	Illus. No.		New Part Number	Change Point	
	SUMP—OIL LEVEL INDICATOR TUBE						
1	Sump—oil	AEH315	1	1			
2	Plug for sump—drain	2H4685	2	1			
3	Washer for plug (copper)	6K431	3	1			
4	Joint—sump to crankcase	IG2290	4	1			
5	Screw—sump to crankcase	HZS0407	5	19			
6	Washer for screw (plain)	PWZ104	6	19			
7	Washer for screw (spring)	LWZ204	7	19			
8	Tube—oil level indicator	AEH536	8	1			
	OIL PUMP—OIL RELEASE VALVE— OIL FEED PIPE						
9	Pump assembly—oil	1H1191		1			
10	Body (with plug)	7H1790	9	1			
11	Cover	17H1717	10	1			
12	Screw for cover (short)	HZS0408	11	1			
13	Screw for cover (long)	HZS0414	12	1			
14	Washer for screw (spring)	LWN204	13	2			
15	Dowel	7H1793	14	2			
16	Shaft with rotors—driving	7H1792	15	1			
17	Joint—pump to crankcase	11G10	16	1			
18	Washer for spindle (thrust)	AEH460	17	1			
19	Strainer assembly—oil	1H9192	18	1			
20	Joint—strainer to pump	1H1198	19	1			
21	Screw—strainer to pump	HNS0406	20	3	HNS0407	Com. (E) 499	Always use HNS0407
22	Washer for screw (spring)	LWN304	21	3			
23	Valve—oil release	1G1452	22	1			
24	Spring for valve	1H756	23	1			
25	Capnut for valve	1A2206	24	1			
26	Washer for capnut	2K4982	25	2			
27	Pipe—oil feed (crankcase to cylinder head)	AEH310	26	1			
28	Banjo bolt for pipe (crankcase end)	AEH313	27	1			
29	Banjo bolt for pipe (cylinder head end)	AEH602	28	1			
30	Washer for banjo bolt	6K500	29	4			
	OIL FILTER (EXTERNAL)						
31	Filter—oil	1H1067		1			
32	Body assembly	1H1069	30	1			
33	Washer—sealing (bottom)	7H1948	31	1			
34	Bolt—centre	7H1965	32	1			
35	Spring	7H1764	33	1			
36	Washer—steel	7H1969	34	1			
37	Washer—felt	7H1968	35	1			

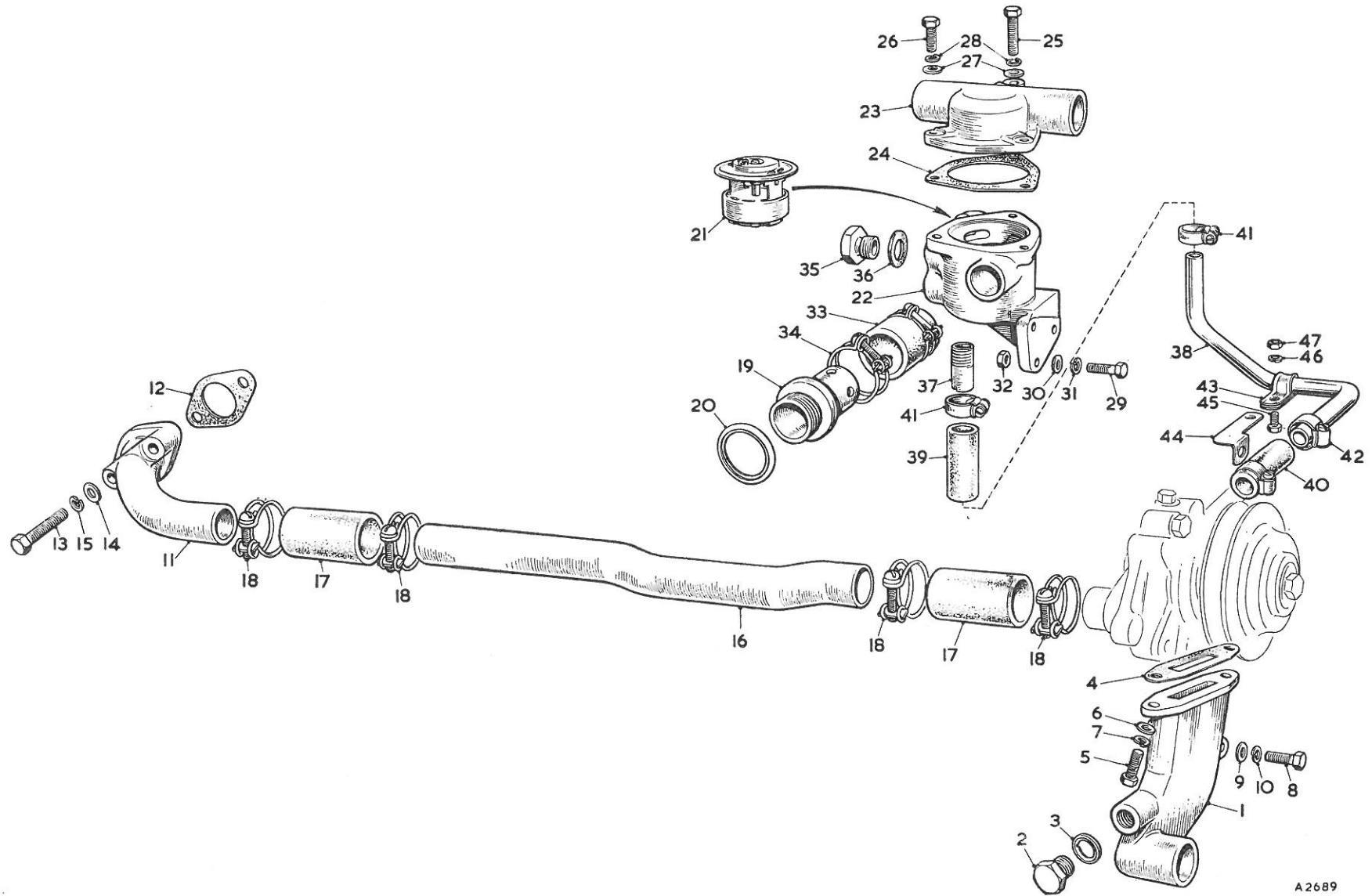


A0296A

SERVICE PARTS LIST

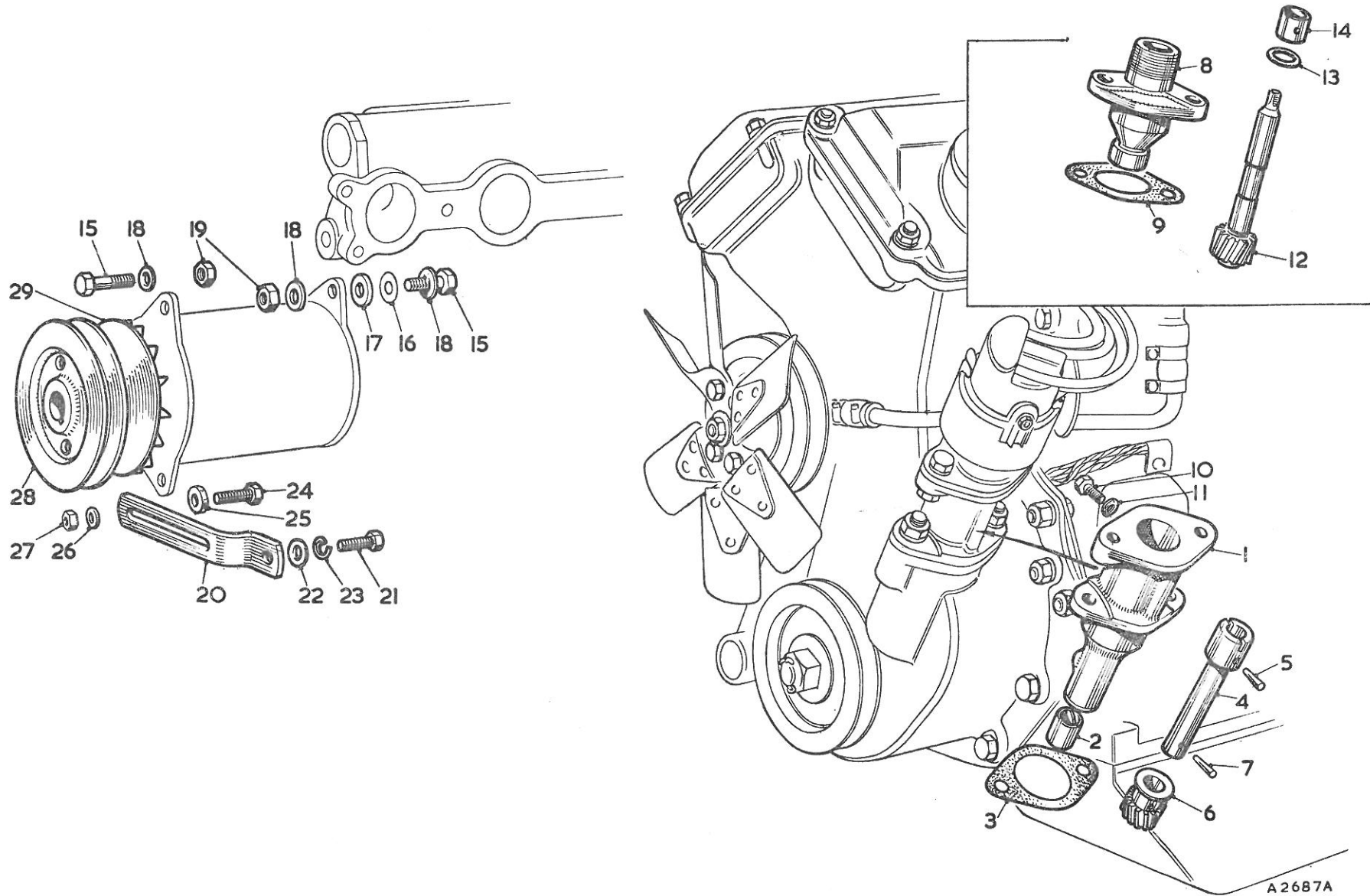
THE MG Series MGA TWIN CAM

Item No.	DESCRIPTION	Commencing (E) 101		Qty. per Veh.	MODIFICATIONS		REMARKS
		Part Number	Illus. No.		New Part Number	Change Point	
	WATER PUMP—FAN PULLEY						
1	Pump assembly—water.....	AEH461		1			
2	Scroll	AEH553	1	1			
3	Plug for scroll	ADP605	2	1			
4	Washer for plug (fibre)	6K705	3	1			
5	Body	AEH464	4	1			
6	Connection—by pass	AEH470	5	1			
7	Greaser	UHN305	6	1			
8	Joint—scroll to body	AEH463	7	1			
9	Screw—body to scroll	HZS0508	8	2			
10	Washer for screw (spring)	LWZ205	9	2			
11	Vane	AEH466	10	1			
12	Spindle	AEH465	11	1			
13	Pin—vane to spindle (taper)	TPS0508	12	1			
14	Seal	AEB156	13	1			
15	Circlip for spindle	AEB151	14	1			
16	Cover—dust (plain).....	AEH525	15	1			
17	Collar for spindle	AEH523	16	1			
18	Washer—felt	AEH524	17	1			
19	Cover—dust (dished)	AEH526	18	1			
20	Bearing	AEF136	19	2			
21	Tube—bearing distance	AEH467	20	1			
22	Circlip for bearing	AEH529	21	1			
23	Cover—dust—spindle (dished)	AEH527	22	1			
24	Washer for spindle (felt).....	AEH528	23	1			
25	Key for pulley	WKN404	24	1			
26	Pulley	AEH472	25	1			
27	Washer for spindle nut (lock)	AEH530	26	1			
28	Nut for spindle	FNZ105	27	1			
29	Joint—pump to timing case	AEH471	28	1			
30	Bolt—pump to engine front plate.....	HBZ0522	29	1			
31	Washer for bolt (spring)	LWZ205	30	1			
32	Nut for bolt	FNZ105	31	1			



A2689

Item No.	DESCRIPTION	Commencing (E) 101		Qty. per Veh.	MODIFICATIONS		REMARKS
		Part Number	Illus. No.		New Part Number	Change Point	
	WATER PIPES—THERMOSTAT						
1	Pipe—water inlet	AEH469	1	1			
2	Plug for pipe	2K8982	2	1] Not required when heater is fitted
3	Washer for plug (copper)	51K3811	3	1			
4	Joint—pipe to water pump	AEH468	4	1			
5	Screw—pipe to water pump	HZS0508	5	2			
6	Washer for screw (plain)	PWZ105	6	2			
7	Washer for screw (spring)	LWZ205	7	2			
8	Bolt—pipe to timing case	ZCS0508	8	1			
9	Washer for bolt (plain)	PWZ105	9	1			
10	Washer for bolt (spring)	LWZ205	10	1			
11	Elbow—water inlet	AEH422	11	1	AEH631	Com. (E) 581	
12	Joint—elbow to cylinder head	AEH423	12	1			
13	Bolt—elbow to cylinder head	HCZ0513	13	2			
14	Washer for bolt (plain)	PWZ105	14	2			
15	Washer for bolt (spring)	LWZ205	15	2			
16	Pipe—pump to elbow	AEH421	16	1	AEH630	Com. (E) 574	
17	Hose for pipe	AEH522	17	2			
18	Clip for hose	8G632	18	4			
19	Pipe—water outlet	AEH393	19	1			
20	Washer—pipe to cylinder head (copper)	AEJ4	20	1			
21	Thermostat	11G291	21	1	AEJ14	Com. (E) 194	Always use AEJ14
22	Housing—thermostat	AEH477	22	1			
23	Cover for thermostat housing	AEH479	23	1			
24	Joint for cover	AEH478	24	1			
25	Bolt for cover	HCZ0414	25	1			
26	Screw for cover	ZCS0407	26	2			
27	Washer for bolt and screw (plain)	PWZ104	27	3			
28	Washer for bolt and screw (spring)	LWZ204	28	3			
29	Screw—housing to engine front plate	HZS0508	29	2			
30	Washer for screw (plain)	PWZ105	30	2			
31	Washer for screw (spring)	LWZ205	31	2			
32	Nut for screw	FNZ105	32	2			
33	Hose—housing to water outlet pipe	AEH480	33	1			
34	Clip for hose	8G632	34	2			
35	Plug—thermostat housing	ADP610	35	1] Not required when heater is fitted
36	Washer for plug	2K7498	36	1			
37	Pipe—by-pass—thermostat housing	AEH483	37	1			
38	Pipe—by-pass—housing to water pump	AEH491	38	1			
39	Hose for pipe—thermostat end	AEH493	39	1			
40	Hose for pipe—water pump end	AEH494	40	1			
41	Clip for hose—thermostat end	8G518	41	2			
42	Clip for hose—water pump end	2H3420	42	2			
43	Clip for by-pass pipe	PCR1009	43	1			
44	Bracket for clip	AEH492	44	1			
45	Screw—clip to bracket	HZS0404	45	1			
46	Washer for screw (spring)	LWZ204	46	1			
47	Nut for screw	FNZ104	47	1			

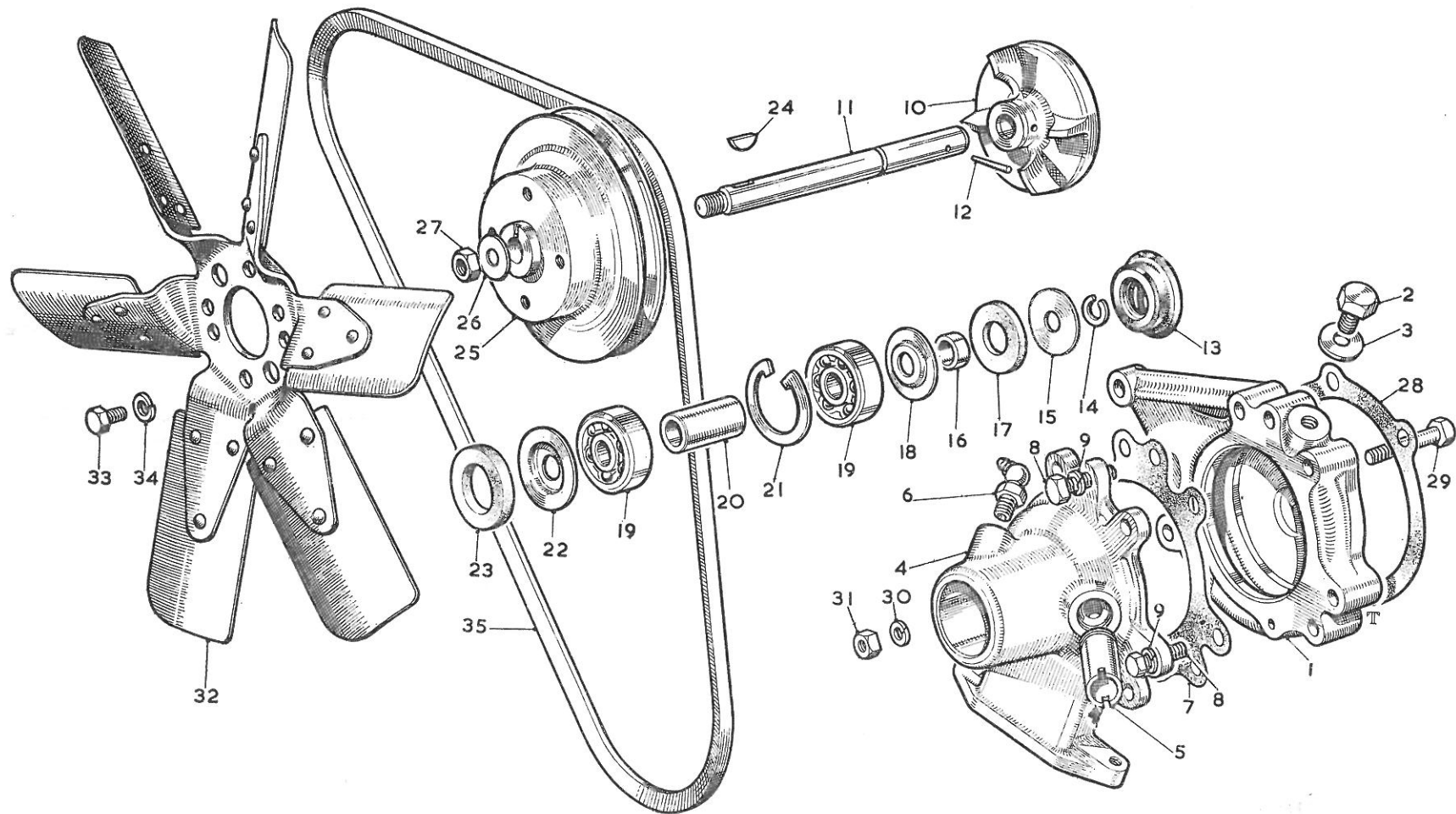


A2687A

SERVICE PARTS LIST

THE MG Series MGA TWIN CAM

Item No.	DESCRIPTION	Commencing (E) 101		Qty. per Veh.	MODIFICATIONS		REMARKS
		Part Number	Illus. No.		New Part Number	Change Point	
DISTRIBUTOR AND DYNAMO MOUNTINGS							
1	Housing—distributor.....	AEH496	1	1			
2	Bush for housing	AEH531	2	2			
3	Joint for housing	AEH502	3	1			
4	Shaft and dog assembly—distributor drive	AEH45	4	1			
5	Pin for dog (taper)	TPS0508	5	1			
6	Gear—distributor drive	AEH500	6	1			
7	Pin for gear (taper)	TPS0507	7	1			
8	Housing—tachometer drive.....	AEH455	8	1			
9	Joint for housing	1G2401	9	1			
10	Screw—distributor locating	ZCS0404	10	1			
11	Washer for screw	2K6337	11	1			
12	Pinion—tachometer drive	AEH458	12	1			
13	Oil seal for pinion	1G2398	13	1			
14	Ring—seal retaining	1G2399	14	1			
15	Bolt—dynamo to water pump and inlet manifold	HBZ0514	15	2			
16	Shim—dynamo to inlet manifold (.003")	AEH622	16	A/R			
17	Washer—distance—dynamo to inlet manifold	AEH530	17	A/R			Alternative, to avoid using excessive qty. of shim AEH622
18	Washer for bolt (plain)	PWZ105	18	4			
19	Nut for bolt	LNZ205	19	2			
20	Link—dynamo adjusting	AEH503	20	1	AEH614	Com (E) 448	Prior to (E) 448 supply AEH614
21	Screw—link to water inlet pipe	ZCS0507	21	1			
22	Washer for screw (plain)	PWZ105	22	1			
23	Washer for screw (spring)	LWZ205	23	1			
24	Screw—link to dynamo	3H2098		1			
25	Washer for screw (spring)	2K5319		1			
26	Setscrew—link to dynamo		24	1	ZCS0509		
27	Washer for setscrew		25	1	2A110		
28	Washer for setscrew		26	1	PWZ205		
29	Nut for setscrew		27	1	51K1712		
30	Pulley for dynamo	AEH504	28	1	AEH605	Com. (E) 272	Prior to (E) 272 always supply AEH 605 with 1 off AEH621 fan belt
31	Fan for dynamo.....	1G1783	29				



AO296A

SERVICE PARTS LIST

THE MG Series MGA TWIN CAM

Item No.	DESCRIPTION	Commencing (E) 101		Qty. per Veh.	MODIFICATIONS		REMARKS
		Part Number	Illus. No.		New Part Number	Change Point	
	FAN BLADE—BELT						
1	Blade assembly—fan	AEG129	32	1			
2	Screw—blade to pulley	HZS0405	33	4			
3	Washer for screw (spring)	LWZ204	34	4			
4	Belt for fan	AEH473	35	1	AEH621	Com (E) 272	Prior to (E) 272 always supply AEH621 with 1 off Pulley AEH605
	OIL LEVEL INDICATOR						
5	Indicator—oil level	AEH568		1			
6	Washer for indicator (rubber)	AEC671		1			
	CYLINDER LINER						
7	Liner for cylinder block	AEH656		4			For service purposes only
	OIL COOLER						
8	Cooler kit—oil	8C2281		1			
9	Cooler—oil	ARH113		1			
10	Screw—oil cooler to front apron	HZS0405		4			
11	Nut for screw	LNZ104		4			
12	Washer (plain)	PWZ104		4			
13	Pipe—flexible	AHH5883		2			
14	Pipe—oil (gauge to cooler)	AHH5884		1			
15	Nut	2K5164		1			
16	Nipple	2K5163		1			
17	Union	AHH5888		1			
18	Pipe—oil (cooler to filter)	AHH5885		1			
19	Banjo	1K2141		1			
20	Union	AHH5888		1			
21	Support bracket—cooler pipes	AHH5886		1			
22	Screw—bracket to engine front plate	HZS0508		2			
23	Clip—cooler pipes	AHH5887		1			
24	Screw—clip to support bracket	HZS0406		1			
25	Nut for screw	LNZ104		1			
26	Washer (plain)	PWZ104		1			
27	Packing—oil cooler	AHH5902		1			

SERVICE PARTS LIST

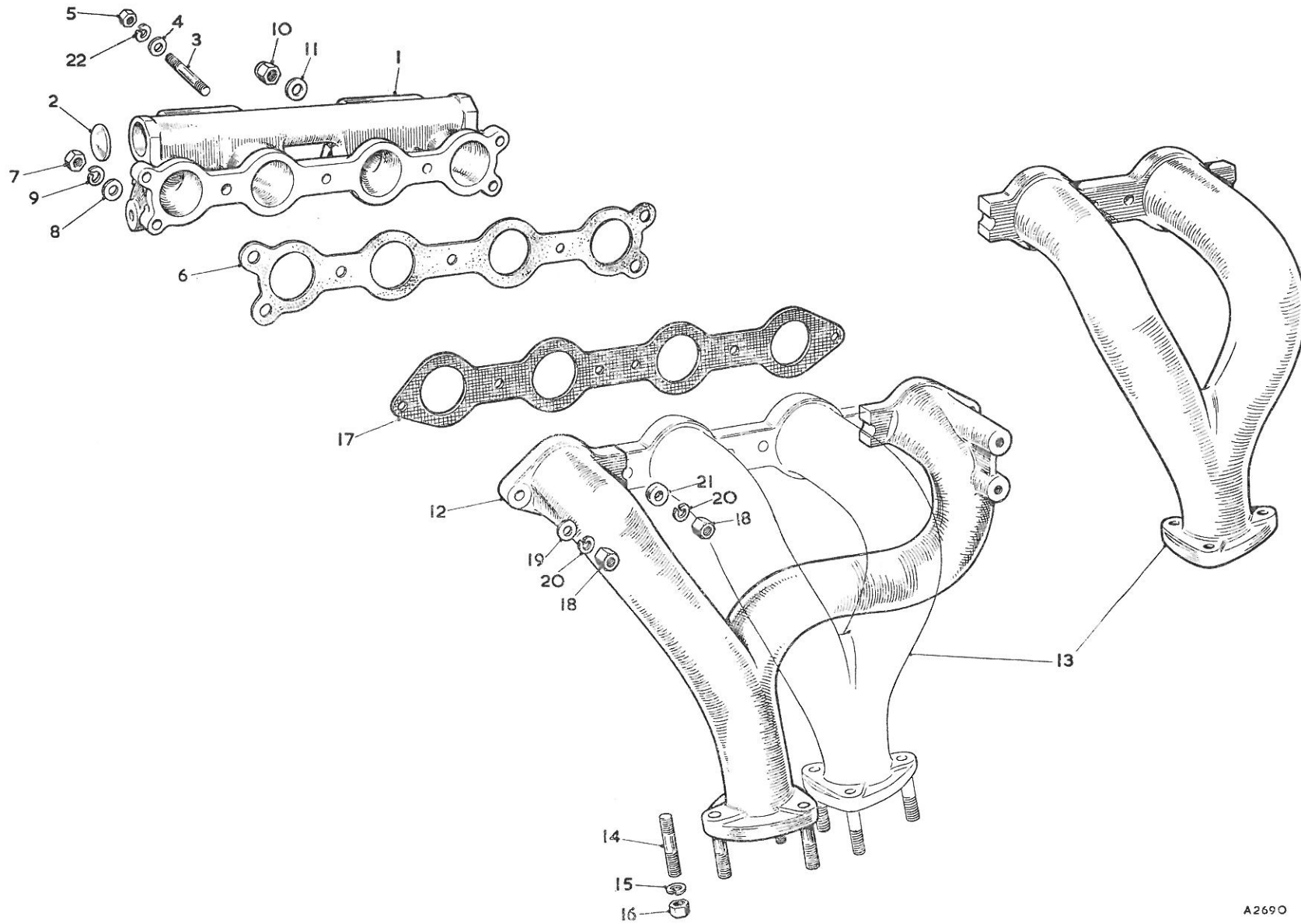
THE MG Series MGA TWIN CAM

Item No.	DESCRIPTION	Commencing (E) 101		Qty. per Veh.	MODIFICATIONS		REMARKS
		Part Number	Illus. No.		New Part Number	Change Point	
	ENGINE SERVICE KITS						
1	Joint washer kit for engine decarbonising	8G2262		1			
2	Joint for cylinder head			1			
3	Joint for water inlet elbow			1			
4	Joint for cylinder head top cover (inlet)			1			
5	Joint for cylinder head top cover (exhaust)			1			
6	Joint for exhaust manifold			1			
7	Joint for inlet manifold			1			
8	Joint for carburetter			2			
9	Joint washer kit—supplementary	8G2263		1			
10	Joint for timing cover			1] Use together with 8G2262 for engine complete overhaul
11	Joint for cylinder side cover			2			
12	Joint for oil sump			1			
13	Joint for cylinder blanking plate			1			
14	Washer for drain tap			1			
15	Joint for thermostat housing cover			1			
16	Joint for tachometer housing			1			
17	Joint for oil strainer			1			
18	Joint for oil pump			1			
19	Joint—scroll to Water pump body			1			
20	Joint for water inlet pipe			1			
21	Joint for Water pump			1			
22	Joint for header tank filler neck			1			
23	Joint for distributor drive housing			1			
24	Joint for main bearing caps			2			
25	Joint for engine rear plate			1			
26	Joint for engine front plate			1			
27	Joint for oil filter			1			
28	Joint for oil feed pillar			1			
29	Water pump repair kit (minor)	8G2264		1			
30	Joint—scroll to body			1			
31	Washer for scroll plug (fibre)			1			
32	Seal			1			
33	Washer—felt			1			
34	Circlip for bearing			1			
35	Washer for spindle (felt)			1			
36	Joint—pump to timing case			1			
37	Circlip for spindle			1			
38	Joint—inlet pipe to water pump			1			

SERVICE PARTS LIST

THE MG Series MGA TWIN CAM

Item No.	DESCRIPTION	Commencing (E) 101		Qty. per Veh.	MODIFICATIONS		REMARKS
		Part Number	Illus. No.		New Part Number	Change Point	
1	Engine Service Kits—continued						
2	Water Pump—repair kit (major)	R-MAKE 1764 L-H 66 8G2304		1			
3	Washer for scroll plug (fibre)			1			
4	Joint—scroll to body			1			
5	Seal			1			
6	Washer (felt)			1			
7	Circlip for bearing			1			
8	Washer for spindle (felt)			1			
9	Joint pump to timing case			1			
10	Circlip to spindle			1			
11	Joint—inlet pipe to water pump			1			
12	Vane			1			
13	Spindle			1			
14	Pin vane to spindle (taper)			1			
15	Collar for spindle			1			
16	Bearing			2			
17	Tube—bearing distance			1			
18	Key for pulley			1			
19	Nut for spindle			1			
	Washer for spindle nut (lock)			1			

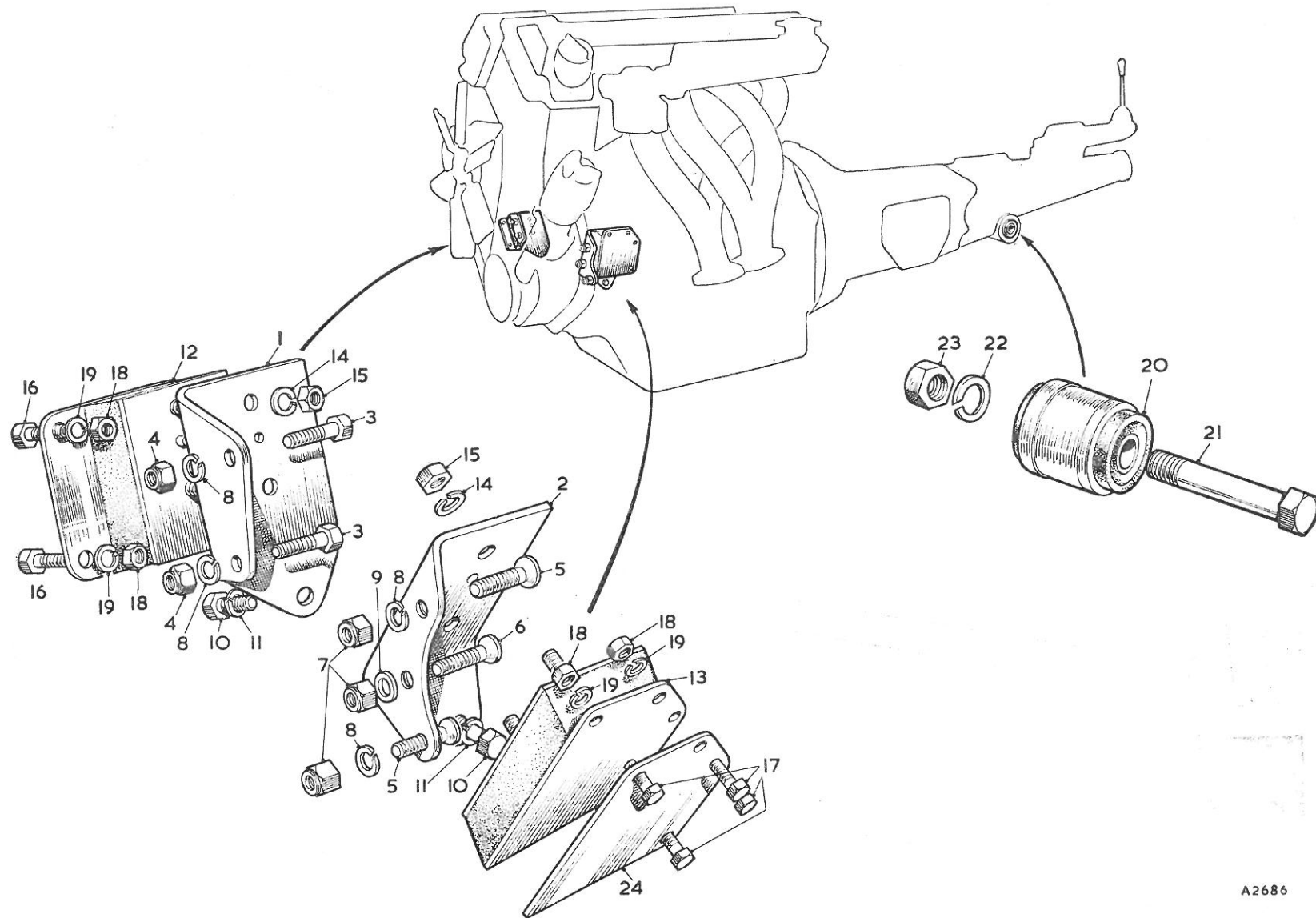


A2690

SERVICE PARTS LIST

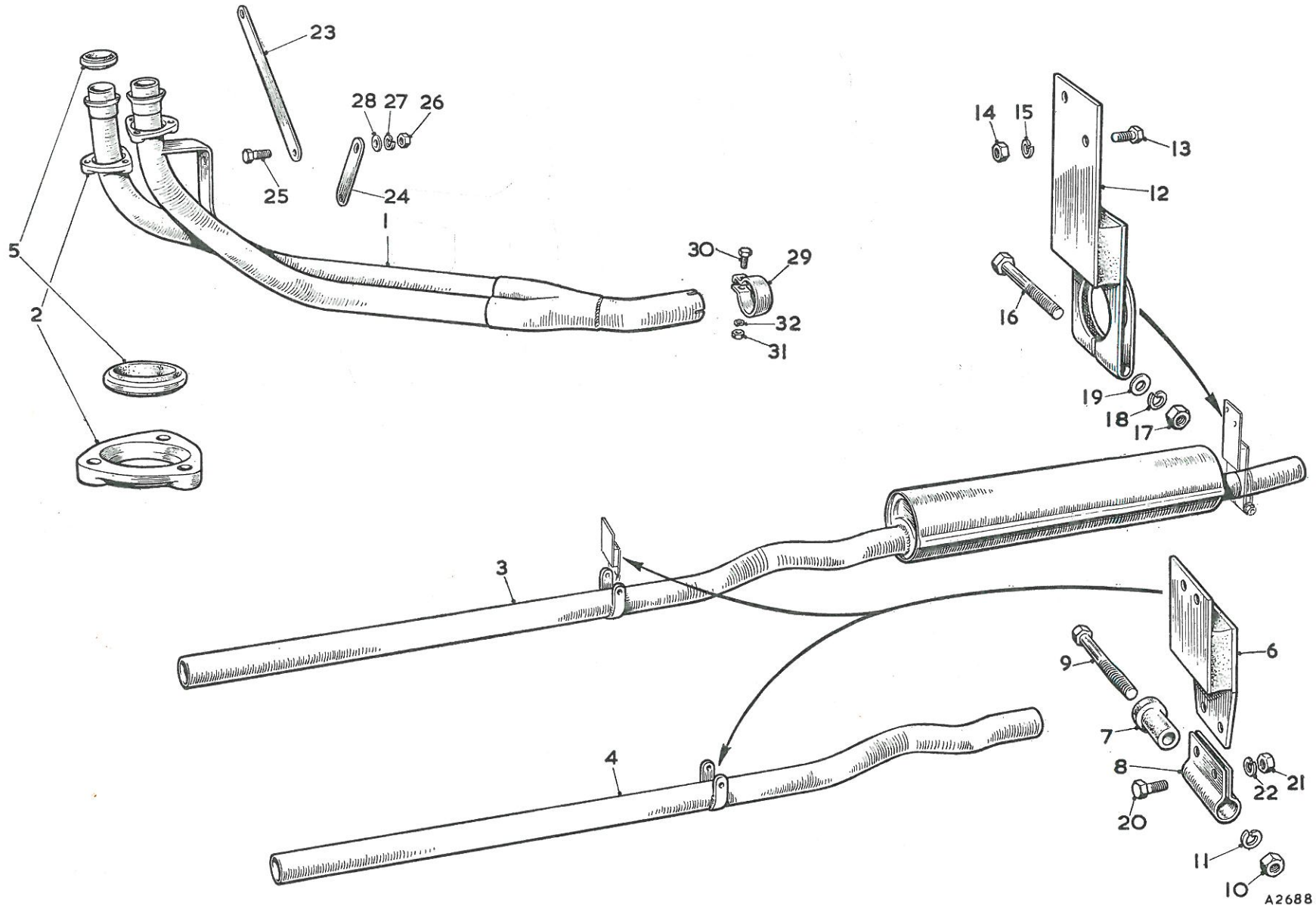
THE MG Series MGA TWIN CAM

Item No.	DESCRIPTION	Commencing (E) 101		Qty. per Veh.	MODIFICATIONS		REMARKS
		Part Number	Illus. No.		New Part Number	Change Point	
	INLET AND EXHAUST MANIFOLDS						
1	Manifold—inlet	AEH21	1	1			
2	Plug for core hole	2K8168	2	2			
3	Stud for carburetter	CLS2512	3	8			
4	Washer for stud (plain)	PWZ105	4	8			
5	Washer for stud (spring)	LWZ205	22	8			
6	Nut for stud	FNZ105	5	8			
7	Joint for inlet manifold	AEH578	6	1			
8	Nut for manifold stud	FNZ106	7	5			
9	Washer for manifold stud (plain)	PWZ106	8	5			
10	Washer for manifold stud (spring)	LWZ206	9	5			
11	Nut for manifold stud (self locking)	LNZ206	10	2			
12	Washer for manifold stud (plain)	PWZ106	11	2			
13	Manifold—exhaust (Nos. 1 and 4 cylinders)	AEH30	12	1			
14	Manifold—exhaust (Nos. 2 and 3 cylinders)	AEH31	13	1			
15	Stud for outlet flange	AEH194	14	6			
16	Washer for stud (spring)	LWZ206	15	6			
17	Nut for stud	AEH195	16	6			
18	Joint for exhaust manifold	AEH574	17	1			
19	Nut for manifold stud	BNN105	18	6	AHH5171	Com. (E) 256	Always use AHH5171 Quantity reduced at (E) 113.
20	Washer for manifold stud (plain)	PWN105	19	6/4			
21	Washer for manifold stud (spring)		20	6	LWZ205	Com. (E) 256] Use from (E) 101
22	Washer for manifold stud (between manifolds)		21	2	AEH603	Com. (E) 113	



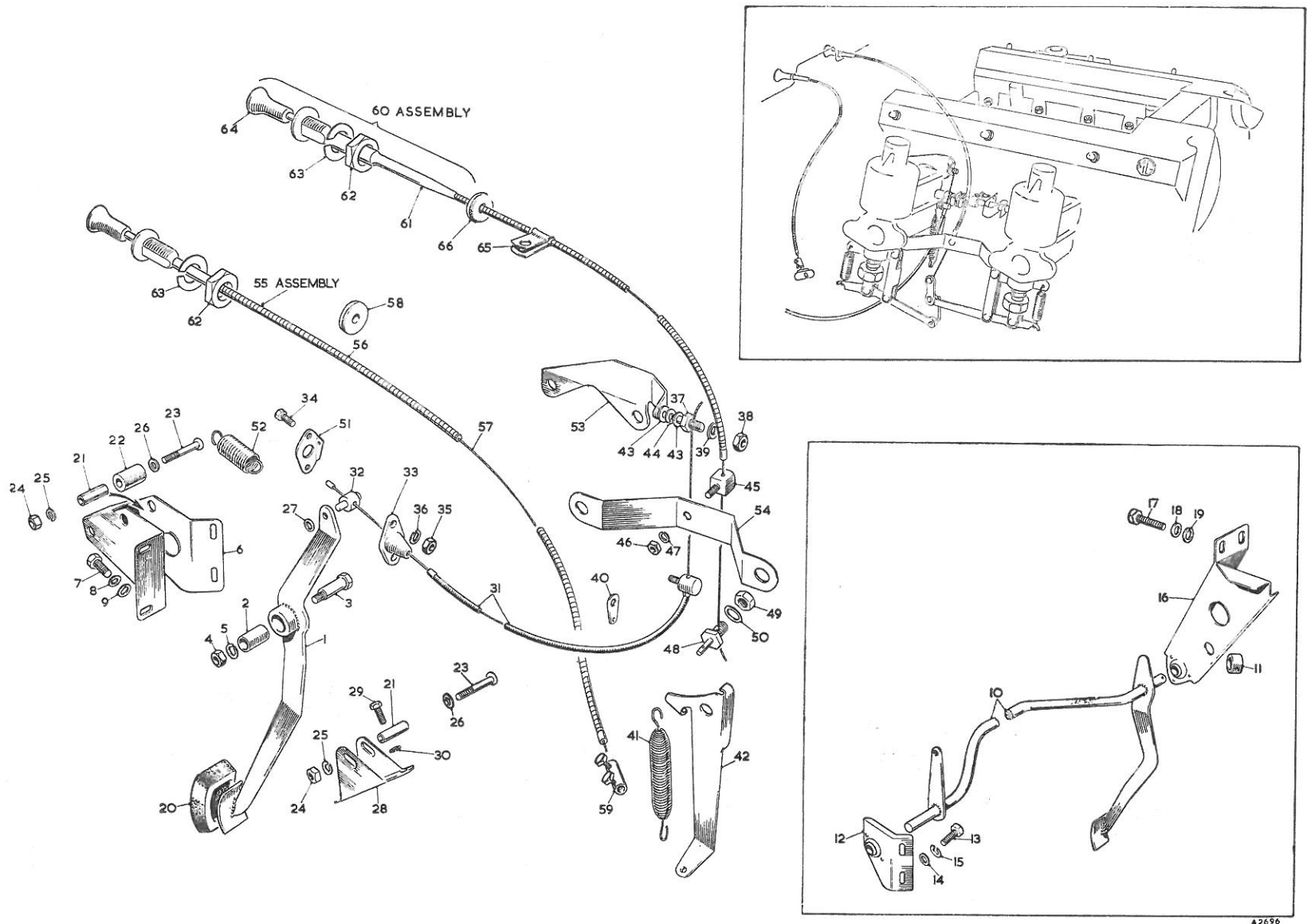
A2686

Item No.	DESCRIPTION	Commencing (C) 501		Qty. per Veh.	MODIFICATIONS		REMARKS
		Part Number	Illus. No.		New Part Number	Change Point	
ENGINE MOUNTING							
1	Bracket—front engine mounting (R/H)	AHH5065	1	1			
2	Bracket—front engine mounting (L/H)	AHH5703	2	1			
3	Screw—bracket to mounting plate (R/H)	HZS0508	3	2			
4	Nut for screw	LWZ105	4	2			
5	Screw—bracket to mounting plate (L/H)	CMZ0516	5	2			
6	Screw—bracket to mounting plate (L/H)	CMZ0520	6	1			
7	Nut for screw	LWZ105	7	3			
8	Washer for screw (spring)	LWZ205	8	4			
9	Washer for L/H screw (plain)	PWZ105	9	1			
10	Screw—bracket to block	HZS0606	10	2			
11	Washer for screw (spring)	LWZ206	11	2			
12	Rubber—front engine mounting (R/H)	AHH5833	12	1			
13	Rubber—front engine mounting (L/H)	AHH5832	13	1			
14	Washer—mounting to bracket (spring)	LWZ205	14	4			
15	Nut—mounting to bracket	FNZ105	15	4			
16	Screw—mounting rubber to bracket (R/H)	HZS0505	16	4			
17	Screw—mounting rubber to bracket (L/H)	HZS0506	17	4			
18	Nut for screw	FNZ105	18	8			
19	Washer for screw (spring)	LWZ205	19	8			
20	Flexible bush—rear engine mounting	AHH5031	20	1			
21	Bolt for flexible bush	HBZ0826	21	1			
22	Washer for bolt (spring)	LWZ208	22	1			
23	Nut for bolt	LWZ108	23	1			
24	Plate—packing (L/H)	AHH5896	24	1			



A2688

Item No.	DESCRIPTION	Commencing (C) 501		Qty. per Veh.	MODIFICATIONS		REMARKS
		Part Number	Illus. No.		New Part Number	Change Point	
	EXHAUST SYSTEM						
1	Exhaust pipe assembly	ARH103	1	1			
2	Flange	AHH5145	2	2			
3	Intermediate pipe and silencer assembly	ARH104	3	1			
4	Intermediate pipe assembly	ARH1229	4	1			
5	Packing—exhaust pipe	AHH5146	5	2			
6	Mounting—exhaust—intermediate	AHH5402	6	1			
7	Bush—intermediate exhaust mounting	AHH5403	7	2			
8	Housing—intermediate exhaust mounting	AHH5404	8	1			
9	Bolt—bush and housing to pipe	HBZ0522	9	1			
10	Nut for bolt	FNZ105	10	1			
11	Washer for bolt (spring)	LWZ205	11	1			
12	Mounting—exhaust—rear	AHH5819	12	1			
13	Screw—mounting to frame	HZS0404	13	4			
14	Nut for screw	FNZ104	14	4			
15	Washer for screw (spring)	LWZ204	15	4			
16	Bolt fixing rear mounting and tail pipe	HBZ0422	16	1			
17	Nut for bolt	FNZ104	17	1			
18	Washer for bolt (spring)	LWZ204	18	1			
19	Washer for bolt (plain)	PWZ104	19	2			
20	Screw—housing to intermediate mounting	HZS0404	20	2			
21	Nut for screw	FNZ104	21	2			
22	Washer for screw (spring)	LWZ204	22	2			
23	Strap—upper front mounting	AHH5406	23	1			
24	Strap—lower front mounting	AHH5407	24	1			
25	Screw—strap to front pipe	HZS0505	25	1			
26	Nut for screw	FNZ105	26	1			
27	Washer for screw (spring)	LWZ205	27	1			
28	Washer for screw (plain)	PWZ105	28	1			
29	Clip for connecting pipe	AHH5818	29	1			
30	Screw for clip	HZS0508	30	1			
31	Nut for screw	FNZ105	31	1			
32	Washer for screw (spring)	LWZ205	32	1			



A2690

Item No.	DESCRIPTION	Commencing (C) 501		Qty. per Veh.	MODIFICATIONS		REMARKS
		Part Number	Illus. No.		New Part Number	Change Point	
	ENGINE CONTROLS						
1	Pedal assembly—accelerator	AHH5300	1	1			
2	Bush	AHH5301	2	1			
3	Fulcrum pin—accelerator pedal	AHH5306	3	1			
4	Nut for fulcrum pin	FNZ105	4	1			
5	Washer for fulcrum pin (spring)	LWZ205	5	1			
6	Bracket—accelerator pedal mounting	AHH5302	6	1			
7	Screw—bracket to goalpost inner upright	HPZ0405	7	4			
8	Washer for screw (plain)	PWZ104	8	4			
9	Washer for screw (spring)	LWZ204	9	4			
10	Pedal and cross shaft assembly—accelerator	AHH5727	10	1			
11	Locating collar—accelerator cross shaft	AHH5314	11	1			
12	Bracket assembly—accelerator cross shaft (R/H)	AHH5320	12	1			
13	Screw—bracket to goalpost (R/H)	HZS0405	13	2			
14	Washer for screw (plain)	PWZ104	14	2			
15	Washer for screw (spring)	LWZ204	15	2			
16	Bracket assembly—accelerator cross shaft (L/H)	AHH5321	16	1			
17	Screw—bracket to goalpost (L/H)	HZS0405	17	3			
18	Washer for screw (plain)	PWZ104	18	3			
19	Washer for screw (spring)	LWZ204	19	3			
20	Pad—pedal (rubber)	ACA5321	20	1			
21	Tube—distance	AHH5303	21	2			
22	Stop—accelerator pedal	AHH5304	22	1			
23	Screw fixing distance tube and adjustable stop	PMZ0422	23	2			
24	Nut for screw	FNZ104	24	2			
25	Washer for screw (spring)	LWZ204	25	2			
26	Washer for screw (plain)	PWZ104	26	2			
27	Washer—cable to pedal (plain)	AJD7042	27	1			
28	Adjustable stop—accelerator pedal	AHH5380	28	1			
29	Screw for adjustable stop	HPZ0405	29	2			
30	Washer for screw (spring)	LWZ204	30	2			
31	Cable—accelerator	AHH5830	31	1			
32	Pin—cable anchor	AHH5626	32	1			
33	Tee barrel	ACA5289	33	1			
34	Guide—cable	AHH5308	34	1			
35	Screw—guide to toeboard plate	PMZ0308	35	2			
36	Nut for screw	FNZ103	36	2			
37	Washer for screw (spring)	LWZ203	37	2			
38	Clamp—accelerator cable	AHH5309	38	1			
39	Nut—cable to clamp	FNZ104	39	1			
40	Washer for nut (plain)	PWZ104	40	1			
41	Bracket—accelerator return spring	84180	41	1			

SERVICE PARTS LIST

THE MG Series MGA TWIN CAM

Item No.	DESCRIPTION	Commencing (C) 501		Qty. per Veh.	MODIFICATIONS		REMARKS
		Part Number	Illus. No.		New Part Number	Change Point	
	STARTER CONTROL						
1	Cable assembly—starter control	RHD	AHH5327	55	1		
2	Cable—outer		AHH5328	56	1		
3	Cable—inner		AHH5329	57	1		
4	Grommet—dash		RFR103	58	1		
5	Cable assembly—starter control	LHD	AHH5330		1		
6	Cable—outer		AHH5331		1		
7	Cable—inner		AHH5332		1		
8	Coupling—starter pull connector		3H950	59	1		
	CHOKE CONTROL						
9	Cable assembly—choke control	RHD	BHA4084	60	1		
10	Body tube and cable assembly		47H5173	61	1		
11	Nut—body fixing		17H5286	62	1		
12	Washer for nut		AKH456	63	1		
13	Knob and wire assembly		47H5172	64	1		
14	Cable assembly—choke control	LHD	BHA4085		1		
15	Body tube and cable assembly		47H5175		1		
16	Nut—body fixing		17H5286		1		
17	Washer for nut		AKH456		1		
18	Knob and wire assembly		47H5174		1		
19	Clip fixing cable		PCR0311	65	1		
20	Grommet—dash		RFR103	66	1		