

A2142

SERVICE PARTS LIST

THE MG Series MGA TWIN CAM

Item No.	DESCRIPTION	Commencing (C) 501		Qty. per Veh.	MODIFICATIONS		REMARKS
		Part Number	Illus. No.		New Part Number	Change Point	
	SEATS AND SEAT FITTINGS						
1	Seat assembly (less cushion)—bucket—R/H (Red with Red piping)	AFH2456	1	1			} Tourer
2	Seat assembly (less cushion)—bucket—R/H (Black with Red piping)	AFH5852		1			
3	Seat assembly (less cushion)—bucket—R/H (Black with White piping)	AFH5858		1			
4	Seat assembly (less cushion)—bucket—R/H (Green with Green piping)	AFH5848		1			
5	Seat assembly (less cushion)—bucket—R/H (Grey with Grey piping)	AFH5850		1			
6	Seat assembly (less cushion)—bucket—R/H (Black with Green piping)	AFH5854		1		Fin. (C) 2192	
7	Seat assembly (less cushion)—bucket—R/H (Black with Grey piping)	AFH5856		1			
8	Seat assembly (less cushion)—bucket—R/H (Beige with Beige piping)			1	AFH6672	} Com. (C) 2193	
9	Seat assembly (less cushion)—bucket—R/H (Black with Blue piping)			1	AFH6674		
10	Squab assembly—bucket seat—R/H (Red with Red piping)	AFH2614		1			
11	Squab assembly—bucket seat—R/H (Black with Red piping)	AFH5876		1			
12	Squab assembly—bucket seat—R/H (Black with White piping)	AFH5882		1			
13	Squab assembly—bucket seat—R/H (Green with Green piping)	AFH5872		1			
14	Squab assembly—bucket seat—R/H (Grey with Grey piping)	AFH5874		1		Fin. (C) 2192	
15	Squab assembly—bucket seat—R/H (Black with Green piping)	AFH5878		1			
16	Squab assembly—bucket seat—R/H (Black with Grey piping)	AFH5880		1	AFH6680	} Com. (C) 2193	
17	Squab assembly—bucket seat—R/H (Beige with Beige piping)	AFH5880		1	AFH6682		
18	Squab assembly—bucket seat—R/H (Black with Blue piping)			1			
19	Cover assembly—bucket seat squab—R/H (Red with Red piping)	AFH2612		1			
20	Cover assembly—bucket seat squab—R/H (Black with Red piping)	AFH6454		1			
21	Cover assembly—bucket seat squab—R/H (Black with White piping)	AFH6460		1			
22	Cover assembly—bucket seat squab—R/H (Green with Green piping)	AFH6450		1			
23	Cover assembly—bucket seat squab—R/H (Grey with Grey piping)	AFH6452		1		Fin. (C) 2192	
24	Cover assembly—bucket seat squab—R/H (Black with Green piping)	AFH6456		1			
25	Cover assembly—bucket seat squab—R/H (Black with Grey piping)	AFH6458		1			

Item No.	DESCRIPTION	Commencing (C) 501		Qty. per Veh.	MODIFICATIONS		REMARKS
		Part Number	Illus. No.		New Part Number	Change Point	
	Seats and Seat Fittings—continued						
1	Cover assembly bucket seat squab—R/H (Beige with Beige piping)			1	AFH6688] Com. (C) 21932] Tourer
2	Cover assembly bucket seat squab—R/H (Black with Blue piping)			1	AFH6690		
3	Cushion assembly—bucket seat—R/H (Red with Red piping)	AFH2458	2	1			
4	Cushion assembly—bucket seat—R/H (Black with Red piping)	AFH5864		1			
5	Cushion assembly—bucket seat—R/H (Black with White piping)	AFH5870		1			
6	Cushion assembly—bucket seat—R/H (Green with Green piping)	AFH5860		1] Fin. (C) 2192	
7	Cushion assembly—bucket seat—R/H (Grey with Grey piping)	AFH5862		1			
8	Cushion assembly—bucket seat—R/H (Black with Green piping)	AFH5866		1] Com. (C) 2193	
9	Cushion assembly—bucket seat—R/H (Black with Grey piping)	AFH5868		1			
10	Cushion assembly—bucket seat—R/H (Beige with Beige piping)			1	AFH6676		
11	Cushion assembly—bucket seat—R/H (Black with Blue piping)			1	AFH6678		
12	Cover assembly—bucket seat cushion—R/H (Red with Red piping)	AFH2610		1			
13	Cover assembly—bucket seat cushion—R/H (Black with Red piping)	AFH5888		1			
14	Cover assembly—bucket seat cushion—R/H (Black with White piping)	AFH5894		1			
15	Cover assembly—bucket seat cushion—R/H (Green with Green piping)	AFH5884		1] Fin. (C) 2192	
16	Cover assembly—bucket seat cushion—R/H (Grey with Grey piping)	AFH5886		1			
17	Cover assembly—bucket seat cushion—R/H (Black with Green piping)	AFH5890		1] Com. (C) 2193	
18	Cover assembly—bucket seat cushion—R/H (Black with Grey piping)	AFH5892		1			
19	Cover assembly—bucket seat cushion—R/H (Beige with Beige piping)			1	AFH6684		
20	Cover assembly—bucket seat cushion—R/H (Black with Blue piping)			1	AFH6686		
21	Seat assembly—bucket seat less cushion—L/H (Red with Red piping)	AFH2457	3	1			
22	Seat assembly—bucket seat less cushion—L/H (Black with Red piping)	AFH5853		1			
23	Seat assembly—bucket seat less cushion—L/H (Black with White piping)	AFH5859		1			
24	Seat assembly—bucket seat less cushion—L/H (Green with Green piping)	AFH5849		1		Fin. (C) 2192	

SERVICE PARTS LIST

THE MG Series MGA TWIN CAM

Item No.	DESCRIPTION	Commencing (C) 501		Qty. per Veh.	MODIFICATIONS		REMARKS
		Part Number	Illus. No.		New Part Number	Change Point	
	Seats and Seat Fittings—continued						
1	Seat assembly—bucket seat less cushion—L/H (Grey with Grey piping).....	AFH5851		1			
2	Seat assembly—bucket seat less cushion—L/H (Black with Green piping)...	AFH5855		1		Fin. (C) 2192	
3	Seat assembly—bucket seat less cushion—L/H (Black with Grey piping).....	AFH5857		1			
4	Seat assembly—bucket seat less cushion—L/H (Beige with Beige piping).....			1	AFH6673	Com. (C) 2193	
5	Seat assembly—bucket seat less cushion—L/H (Black with Blue piping).....			1	AFH6675		
6	Squab assembly—bucket seat—L/H (Red with Red piping)	AFH2615		1			
7	Squab assembly—bucket seat—L/H (Black with Red piping).....	AFH5877		1			
8	Squab assembly—bucket seat—L/H (Black with White piping).....	AFH5883		1			
9	Squab assembly—bucket seat—L/H (Green with Green piping).....	AFH5873		1			
10	Squab assembly—bucket seat—L/H (Grey with Grey piping).....	AFH5875		1		Fin. (C) 2192	
11	Squab assembly—bucket seat—L/H (Black with Green piping).....	AFH5879		1			
12	Squab assembly—bucket seat—L/H (Black with Grey piping).....	AFH5881		1			
13	Squab assembly—bucket seat—L/H (Beige with Beige piping).....			1	AFH6681	Com. (C) 2193	Tourer
14	Squab assembly—bucket seat—L/H (Black with Blue piping).....			1	AFH6683		
15	Cover assembly—bucket seat squab—L/H (Red with Red piping)	AFH2613		1			
16	Cover assembly—bucket seat squab—L/H (Black with Red piping).....	AFH6455		1			
17	Cover assembly—bucket seat squab—L/H (Black with White piping).....	AFH6461		1			
18	Cover assembly—bucket seat squab—L/H (Green with Green piping).....	AFH6451		1			
19	Cover assembly—bucket seat squab—L/H (Grey with Grey piping).....	AFH6453		1		Fin. (C) 2192	
20	Cover assembly—bucket seat squab—L/H (Black with Green piping).....	AFH6457		1			
21	Cover assembly—bucket seat squab—L/H (Black with Grey piping).....	AFH6459		1			
22	Cover assembly—bucket seat squab—L/H (Beige with Beige piping).....			1	AFH6689	Com. (C) 2193	
23	Cover assembly—bucket seat squab—L/H (Black with Blue piping).....			1	AFH6691		

SERVICE PARTS LIST

THE MG Series MGA TWIN CAM

Item No.	DESCRIPTION	Commencing (C) 501		Qty. per Veh.	MODIFICATIONS		REMARKS
		Part Number	Illus. No.		New Part Number	Change Point	
	Seats and Seat Fittings—continued						
1	Cushion assembly—bucket seat—L/H (Red with Red piping)	AFH2459	4	1			Tourer
2	Cushion assembly—bucket seat—L/H (Black with Red piping)	AFH5865		1			
3	Cushion assembly—bucket seat—L/H (Black with White piping)	AFH5871		1			
4	Cushion assembly—bucket seat—L/H (Green with Green piping)	AFH5861		1		Fin. (C) 2192	
5	Cushion assembly—bucket seat—L/H (Grey with Grey piping)	AFH5863		1			
6	Cushion assembly—bucket seat—L/H (Black with Green piping)	AFH5867		1		Com. (C) 2193	
7	Cushion assembly—bucket seat—L/H (Black with Grey piping)	AFH5869		1			
8	Cushion assembly—bucket seat—L/H (Beige with Beige piping)			1	AFH6677		
9	Cushion assembly—bucket seat—L/H (Black with Blue piping)			1	AFH6679		
10	Cover assembly—bucket seat cushion—L/H (Red with Red piping)	AFH2611		1			
11	Cover assembly—bucket seat cushions—L/H (Black with Red piping)	AFH5889		1			
12	Cover assembly—bucket seat cushion—L/H (Black with White piping)	AFH5895		1			
13	Cover assembly—bucket seat cushion—L/H (Green with Green piping)	AFH5885		1		Fin. (C) 2192	
14	Cover assembly—bucket seat cushion—L/H (Grey with Grey piping)	AFH5887		1			
15	Cover assembly—bucket seat cushion—L/H (Black with Green piping)	AFH5891		1		Com. (C) 2193	
16	Cover assembly—bucket seat cushion—L/H (Black with Grey piping)	AFH5893		1			
17	Cover assembly—bucket seat cushion—L/H (Beige with Beige piping)			1	AFH6685		
18	Cover assembly—bucket seat cushion—L/H (Black with Blue piping)			1	AFH6687		
19	Seat assembly—bucket seat less cushion—R/H (Red with Red piping)	AFH4632	5	1			Coupe
20	Seat assembly—bucket seat less cushion—R/H (Black with Red piping)	AFH5496		1			
21	Seat assembly—bucket seat less cushion—R/H (Black with White piping)	AFH5494		1			
22	Seat assembly—bucket seat less cushion—R/H (Green with Green piping)	AFH5490		1		Fin. (C) 2291	
23	Seat assembly—bucket seat less cushion—R/H (Grey with Grey piping)	AFH5492		1			
24	Seat assembly—bucket seat less cushion—R/H (Black with Green piping)	AFH5498		1			

Item No.	DESCRIPTION	Commencing (C) 501		Qty. per Veh.	MODIFICATIONS		REMARKS
		Part Number	Illus. No.		New Part Number	Change Point	
	Seats and Seat Fittings—continued						
1	Seat assembly—bucket seat less cushion—R/H (Black with Blue piping)	AFH5500		1] Fin. (C) 2291 Com. (C) 2292	Coupe
2	Seat assembly—bucket seat less cushion—R/H (Beige with Beige piping)			1	AFH6718		
3	Seat assembly—bucket seat less cushion—R/H (Black with Blue piping)			1	AFH6720		
4	Squab assembly—bucket seat—R/H (Red with Red piping)	AFH4636		1			
5	Squab assembly—bucket seat—R/H (Black with Red piping)	AFH5520		1			
6	Squab assembly—bucket seat—R/H (Black with White piping)	AFH5518		1			
7	Squab assembly—bucket seat—R/H (Green with Green piping)	AFH5514		1			
8	Squab assembly—bucket seat—R/H (Grey with Grey piping)	AFH5516		1] Fin. (C) 2291	
9	Squab assembly—bucket seat—R/H (Black with Green piping)	AFH5522		1			
10	Squab assembly—bucket seat—R/H (Black with Blue piping)	AFH5424		1			
11	Squab assembly—bucket seat—R/H (Beige with Beige piping)			1	AFH6726] Com. (C) 2292	
12	Squab assembly—bucket seat—R/H (Black with Blue piping)			1	AFH6728		
13	Cover assembly—bucket seat squab—R/H (Red with Red piping)	AFH4640		1			
14	Cover assembly—bucket seat squab—L/H (Black with Red piping)	AFH5544		1			
15	Cover assembly—bucket seat squab—R/H (Black with White piping)	AFH5542		1			
16	Cover assembly—bucket seat squab—R/H (Green with Green piping)	AFH5538		1			
17	Cover assembly—bucket seat squab—R/H (Grey with Grey piping)	AFH5540		1] Fin. (C) 2291	
18	Cover assembly—bucket seat squab—R/H (Black with Green piping)	AFH5546		1			
19	Cover assembly—bucket seat squab—R/H (Black with Blue piping)	AFH5548		1			
20	Cover assembly—bucket seat squab—R/H (Beige with Beige piping)			1	AFH6734] Com. (C) 2292	
21	Cover assembly—bucket seat squab—R/H (Black with Blue piping)			1	AFH6736		
22	Cushion assembly—bucket seat—R/H (Red with Red piping)	AFH4634	6	1			
23	Cushion assembly—bucket seat—R/H (Black with Red piping)	AFH5508		1			
24	Cushion assembly—bucket seat—R/H (Black with White piping)	AFH5506		1			

Item No.	DESCRIPTION	Commencing (C) 501		Qty. per Veh.	MODIFICATIONS		REMARKS
		Part Number	Illus. No.		New Part Number	Change Point	
	Seats and Fittings—continued						
1	Cushion assembly—bucket seat—R/H (Green with Green piping)	AFH5502		1] Fin. (C) 2291] Coupe
2	Cushion assembly—bucket seat—R/H (Grey with Grey piping)	AFH5504		1			
3	Cushion assembly—bucket seat—R/H (Black with Green piping)	AFH5510		1			
4	Cushion assembly—bucket seat—R/H (Black with Blue piping)	AFH5512		1] Com. (C) 2292	
5	Cushion assembly—bucket seat—R/H (Beige with Beige piping)			1	AFH6722		
6	Cushion assembly—bucket seat—R/H (Black with Blue piping)			1	AFH6724		
7	Cover assembly—bucket seat cushion—R/H (Red with Red piping)	AFH4638		1			
8	Cover assembly—bucket seat cushion—R/H (Black with Red piping)	AFH5532		1			
9	Cover assembly—bucket seat cushion—R/H (Black with White piping)	AFH5530		1			
10	Cover assembly—bucket seat cushion—R/H (Green with Green piping)	AFH5526		1] Fin. (C) 2291	
11	Cover assembly—bucket seat cushion—R/H (Grey with Grey piping)	AFH5528		1			
12	Cover assembly—bucket seat cushion—R/H (Black with Green piping)	AFH5534		1			
13	Cover assembly—bucket seat cushion—R/H (Black with Blue piping)	AFH5536		1] Com. (C) 2292	
14	Cover assembly—bucket seat cushion—R/H (Beige with Beige piping)			1	AFH6730		
15	Cover assembly—bucket seat cushion—R/H (Black with Blue piping)			1	AFH6732		
16	Seat assembly—bucket seat less cushion—L/H (Red with Red piping)	AFH4633	7	1			
17	Seat assembly—bucket seat less cushion—L/H (Black with Red piping)	AFH5497		1			
18	Seat assembly—bucket seat less cushion—L/H (Black with White piping)	AFH5495		1			
19	Seat assembly—bucket seat less cushion—L/H (Green with Green piping)	AFH5491		1] Fin. (C) 2291	
20	Seat assembly—bucket seat less cushion—L/H (Grey with Grey piping)	AFH5493		1			
21	Seat assembly—bucket seat less cushion—L/H (Black with Green piping)	AFH5499		1			
22	Seat assembly—bucket seat less cushion—L/H (Black with Blue piping)	AFH5501		1] Com. (C) 2292	
23	Seat assembly—bucket seat less cushion—L/H (Beige with Beige piping)			1	AFH6719		
24	Seat assembly—bucket seat less cushion—L/H (Black with Blue piping)			1	AFH6721		

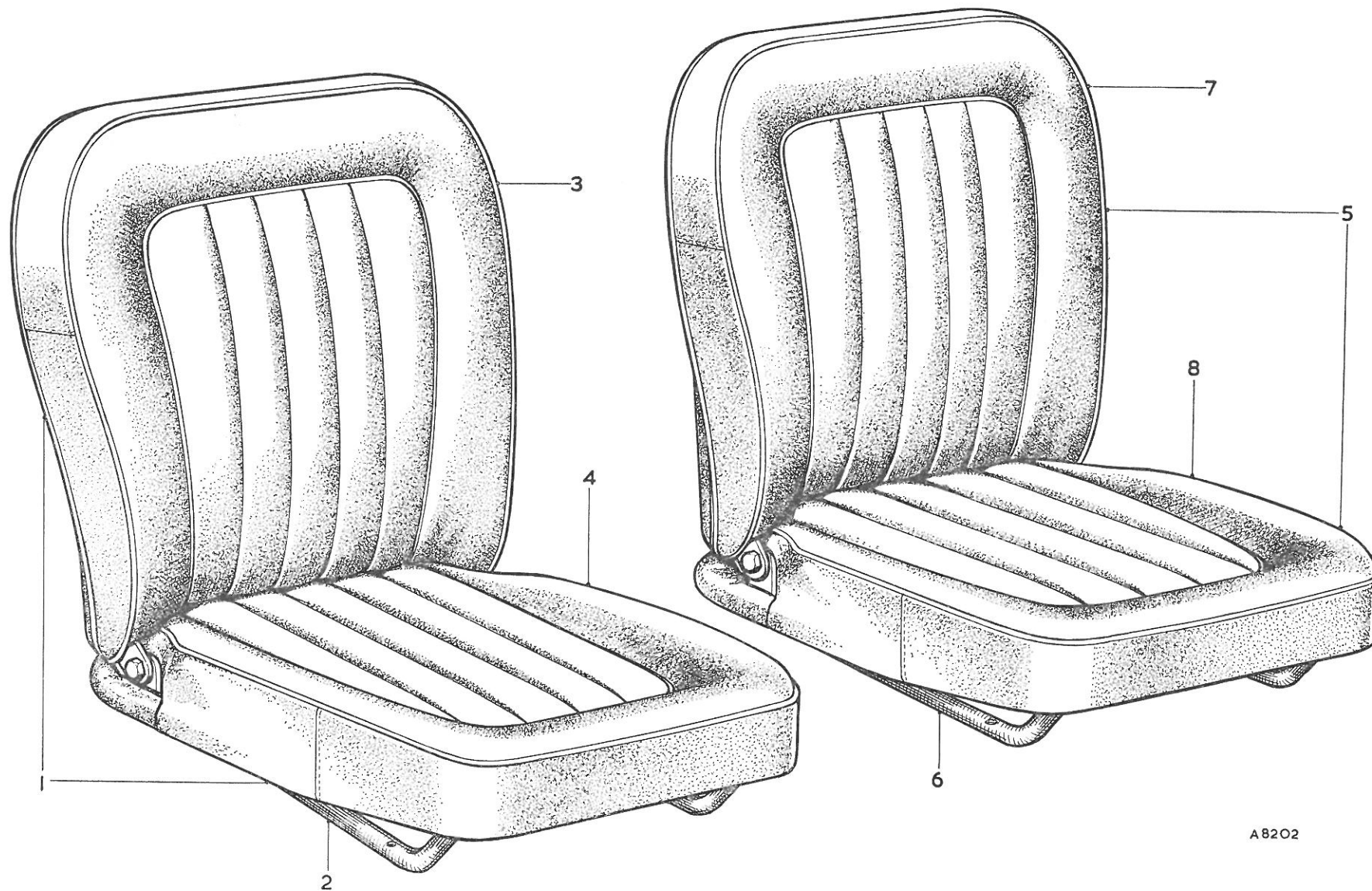
Item No.	DESCRIPTION	Commencing (C) 501		Qty. per Veh.	MODIFICATIONS		REMARKS
		Part Number	Illus. No.		New Part Number	Change Point	
	Seats and Seat Fittings—continued						
1	Squab assembly—bucket seat—L/H (Red with Red piping)	AFH4637		1			
2	Squab assembly—bucket seat—L/H (Black with Red piping)	AFH5521		1			
3	Squab assembly—bucket seat—L/H (Black with White piping)	AFH5519		1			
4	Squab assembly—bucket seat—L/H (Green with Green piping)	AFH5515		1			
5	Squab assembly—bucket seat—L/H (Grey with Grey piping)	AFH5517		1		Fin. (C) 2291	
6	Squab assembly—bucket seat—L/H (Black with Green piping)	AFH5523		1			
7	Squab assembly—bucket seat—L/H (Black with Blue piping)	AFH5425		1			
8	Squab assembly—bucket seat—L/H (Beige with Beige piping)			1	AFH6727	Com. (C) 2292	
9	Squab assembly—bucket seat—L/H (Black with Blue piping)			1	AFH6729		
10	Cover assembly—bucket seat squab—L/H (Red with Red piping)	AFH4641		1			
11	Cover assembly—bucket seat squab—L/H (Black with Red piping)	AFH5545		1			
12	Cover assembly—bucket seat squab—L/H (Black with White piping)	AFH5543		1			
13	Cover assembly—bucket seat squab—L/H (Green with Green piping)	AFH5539		1			
14	Cover assembly—bucket seat squab—L/H (Grey with Grey piping)	AFH5541		1		Fin. (C) 2291	
15	Cover assembly—bucket seat squab—L/H (Black with Green piping)	AFH5547		1			
16	Cover assembly—bucket seat squab—L/H (Black with Blue piping)	AFH5549		1			
17	Cover assembly—bucket seat squab—L/H (Beige with Beige piping)			1	AFH6735	Com. (C) 2292	
18	Cover assembly—bucket seat squab—L/H (Black with Blue piping)			1	AFH6737		
19	Cushion assembly—bucket seat—L/H (Red with Red piping)	AFH4635	8	1			
20	Cushion assembly—bucket seat—L/H (Black with Red piping)	AFH5509		1			
21	Cushion assembly—bucket seat—L/H (Black with White piping)	AFH5507		1			
22	Cushion assembly—bucket seat—L/H (Green with Green piping)	AFH5503		1			
23	Cushion assembly—bucket seat—L/H (Grey with Grey piping)	AFH5505		1		Fin. (C) 2291	
24	Cushion assembly—bucket seat—L/H (Black with Green piping)	AFH5511		1			
25	Cushion assembly—bucket seat—L/H (Black with Blue piping)	AFH5513		1			

Coupe

SERVICE PARTS LIST

THE MG Series MGA TWIN CAM

Item No.	DESCRIPTION	Commencing (C) 501		Qty. per Veh.	MODIFICATIONS		REMARKS
		Part Number	Illus. No.		New Part Number	Change Point	
	Seats and Seat Fittings—continued						
1	Cushion assembly—bucket seat—L/H (Beige with Beige piping)			1	AFH6723] Com. (C) 12292] Coupe
2	Cushion assembly—bucket seat—L/H (Black with Blue piping)			1	AFH6725		
3	Cover assembly—bucket seat cushion—L/H (Red with Red piping)	AFH4639		1			
4	Cover assembly—bucket seat cushion—L/H (Black with Red piping)	AFH5533		1			
5	Cover assembly—bucket seat cushion—L/H (Black with White piping)	AFH5531		1			
6	Cover assembly—bucket seat cushion—L/H (Green with Green piping)	AFH5527		1] Fin. (C) 2291	
7	Cover assembly—bucket seat cushion—L/H (Grey with Grey piping)	AFH5529		1			
8	Cover assembly—bucket seat cushion—L/H (Black with Green piping)	AFH5535		1			
9	Cover assembly—bucket seat cushion—L/H (Black with Blue piping)	AFH5537		1			
10	Cover assembly—bucket seat cushion—L/H (Beige with beige piping)			1	AFH6731] Com. (C) 2292	
11	Cover assembly—bucket seat cushion—L/H (Black with Blue piping)			1	AFH6733		
12	Rail—seat—floor rack	AHH5509	9	4			
13	Slide—seat catch	AHH5510	10	2			
14	Screw—seat rail to floor	HPZ0405	11	8			
15	Washer (spring)	LWZ204	12	8			
16	Slide assembly—seat catch (R/H)	AHH5511	13	1			
17	Slide assembly—seat catch (L/H)	AHH5512	14	1			
18	Screw—seat to runner	CMZ0410	15	16			
19	Washer (spring)	LWZ204	16	16			
20	Nut for screw	FNZ104	17	16			



A8202

SERVICE PARTS LIST

THE MG Series MGA TWIN CAM

Item No.	DESCRIPTION	Commencing (C) 501		Qty. per Veh.	MODIFICATIONS		REMARKS
		Part Number	Illus. No.		New Part Number	Change Point	
	DE-LUXE SEATS (Optional Extra)						
1	Seat assembly—bucket—R/H (Red with Red piping)	AFH5666	1	1] If this seat is requested after car delivery: 1 floor board R/H AHH5748 8 screws CMZ0420 are to be supplied also
2	Seat assembly—bucket—R/H (Black with Red piping)	AFH5674		1			
3	Seat assembly—bucket—R/H (Black with White piping)	AFH5672		1			
4	Seat assembly—bucket—R/H (Green with Green piping)	AFH5668		1			
5	Seat assembly—bucket—R/H (Grey with Grey piping)	AFH5670		1		Fin. (C) 2192	
6	Seat assembly—bucket—R/H (Black with Green piping)	AFH5676		1			
7	Seat assembly—bucket—R/H (Black with Blue piping)	AFH6560		1			
8	Seat assembly—bucket—R/H (Beige with Beige piping)			1	AFH6774] Com. (C) 2193	
9	Seat assembly—bucket—R/H (Black with Blue piping)			1	AFH6776		
10	Frame assembly—bucket seat—R/H	AFH5478	2	1			
11	Squab assembly—bucket seat—R/H (Red with Red piping)	AFH5680	3	1			
12	Squab assembly—bucket seat—R/H (Black with Red piping)	AFH5688		1			
13	Squab assembly—bucket seat—R/H (Black with White piping)	AFH5686		1			
14	Squab assembly—bucket seat—R/H (Green with Green piping)	AFH5682		1			
15	Squab assembly—bucket seat—R/H (Grey with Grey piping)	AFH5684		1			
16	Squab assembly—bucket seat—R/H (Black with Green piping)	AFH5690		1		Fin. (C) 2192	
17	Squab assembly—bucket seat—R/H (Black with Blue piping)	AFH6562		1			
18	Squab assembly—bucket seat—R/H (Beige with Beige piping)			1	AFH6778] Com. (C) 2193	
19	Squab assembly—bucket seat—R/H (Black with Blue piping)			1	AFH6780		
20	Cover assembly—bucket seat squab—R/H (Red with Red piping)	AFH5708		1			
21	Cover assembly—bucket seat squab—R/H (Black with Red piping)	AFH5716		1			
22	Cover assembly—bucket seat squab—R/H (Black with White piping)	AFH5714		1			
23	Cover assembly—bucket seat squab—R/H (Green with Green piping)	AFH5710		1		Fin. (C) 2192	
24	Cover assembly—bucket seat squab—R/H (Grey with Grey piping)	AFH5712		1			

SERVICE PARTS LIST

THE MG Series MGA TWIN CAM

Item No.	DESCRIPTION	Commencing (C) 501		Qty. per Veh.	MODIFICATIONS		REMARKS
		Part Number	Illus. No.		New Part Number	Change Point	
	De Luxe Seats—continued						
1	Cover assembly—bucket seat squab—R/H (Black with Green piping)	AFH5719		1] Fin. (C) 2192	
2	Cover assembly—bucket seat squab—R/H (Black with Blue piping)	AFH6566		1			
3	Cover assembly—bucket seat squab—R/H (Beige with Beige piping)			1	AFH6786] Com. (C) 2193	
4	Cover assembly—bucket seat squab—R/H (Black with Blue piping)			1	AFH6788		
5	Casing assembly—bucket seat back (Red with Red piping)	AFH5736		1			
6	Casing assembly—bucket seat back (Black with Red piping)	AFH5740		1			
7	Casing assembly—bucket seat back (Black with White piping)	AFH5739		1			
8	Casing assembly—bucket seat back (Green with Green piping)	AFH5737		1			
9	Casing assembly—bucket seat back (Grey with Grey piping)	AFH5738		1] Fin. (C) 2192	
10	Casing assembly—bucket seat back (Black with Green piping)	AFH5741		1			
11	Casing assembly—bucket seat back (Black with Blue piping)	AFH6570		1			
12	Casing assembly—bucket seat back (Beige with Beige piping)			1	AFH6794] Com. (C) 2193	
13	Casing assembly—bucket seat back (Black with Blue piping)			1	AFH6795		
14	Cushion assembly—bucket seat—R/H (Red with Red piping)	AFH5694	4	1			
15	Cushion assembly—bucket seat—R/H (Black with Red piping)	AFH5702		1			
16	Cushion assembly—bucket seat—R/H (Black with White piping)	AFH5700		1			
17	Cushion assembly—bucket seat—R/H (Green with green piping)	AFH5696		1			
18	Cushion assembly—bucket seat—R/H (Grey with Grey piping)	AFH5698		1] Fin. (C) 2192	
19	Cushion assembly—bucket seat—R/H (Black with Green piping)	AFH5704		1			
20	Cushion assembly—bucket seat—R/H (Black with Blue piping)	AFH6564		1			
21	Cushion assembly—bucket seat—R/H (Beige with Beige piping)			1	AFH6782] Com. (C) 2193	
22	Cushion assembly—bucket seat—R/H (Black with Blue piping)			1	AFH6784		

SERVICE PARTS LIST

THE MG Series MGA TWIN CAM

Item No.	DESCRIPTION	Commencing (C) 501		Qty. per Veh.	MODIFICATIONS		REMARKS
		Part Number	Illus. No.		New Part Number	Change Point	
	De Luxe Seats—continued						
1	Cover assembly—bucket seat cushion—R/H (Red with Red piping)	AFH5722		1			
2	Cover assembly—bucket seat cushion—R/H (Black with Red piping)	AFH5730		1			
3	Cover assembly—bucket seat cushion—R/H (Black with White piping)						
4	Cover assembly—bucket seat cushion—R/H (Green with Green piping)	AFH5728		1			
5	Cover assembly—bucket seat cushion—R/H (Grey with Grey piping)	AFH5724		1			
6	Cover assembly—bucket seat cushion—R/H (Black with Green piping)	AFH5726		1		Fin. (C) 2192	
7	Cover assembly—bucket seat cushion—R/H (Black with Blue piping)	AFH5732		1			
8	Cover assembly—bucket seat cushion—R/H (Beige with Beige piping)	AFH6568		1		Com. (C) 2193	
9	Cover assembly—bucket seat cushion—R/H (Black with Blue piping)				AFH6790 AFH6792		
10	Seat assembly—bucket—L/H (Red with Red piping)	AFH5667	5	1			
11	Seat assembly—bucket—L/H (Black with Red piping)	AFH5675		1			If this seat is requested after car delivery: 1 floorboard—L/H—AHH5749 8 screws CMZ0420 are to be supplied also
12	Seat assembly—bucket—L/H (Black with White piping)	AFH5673		1			
13	Seat assembly—bucket—L/H (Green with Green piping)	AFH5669		1			
14	Seat assembly—bucket—L/H (Grey with Grey piping)	AFH5671		1		Fin. (C) 2192	
15	Seat assembly—bucket—L/H (Black with Green piping)	AFH5677		1			
16	Seat assembly—bucket—L/H (Black with Blue piping)	AFH6561		1		Com. (C) 2193	
17	Seat assembly—bucket—L/H (Beige with Beige piping)				AFH6775 AFH6777		
18	Seat assembly—bucket—L/H (Black with Blue piping)						
19	Frame assembly—bucket seat—L/H	AFH5479	6	1			
20	Squab assembly—bucket seat—L/H (Red with Red piping)	AFH5681	7	1			
21	Squab assembly—bucket seat—L/H (Black with Red piping)	AFH5689		1			
22	Squab assembly—bucket seat—L/H (Black with White piping)	AFH5687		1			
23	Squab assembly—bucket seat—L/H (Green with Green piping)	AFH5683		1			
24	Squab assembly—bucket seat—L/H (Grey with Grey piping)	AFH5685		1		Fin. (C) 2192	
25	Squab assembly—bucket seat—L/H (Black with Green piping)	AFH5691		1			
26	Squab assembly—bucket seat—L/H (Black with Blue piping)	AFH6563		1		Com. (C) 2193	
27	Squab assembly—bucket seat—L/H (Beige with Beige piping)				AFH6779 AFH6781		
28	Squab assembly—bucket seat—L/H (Black with Blue piping)						

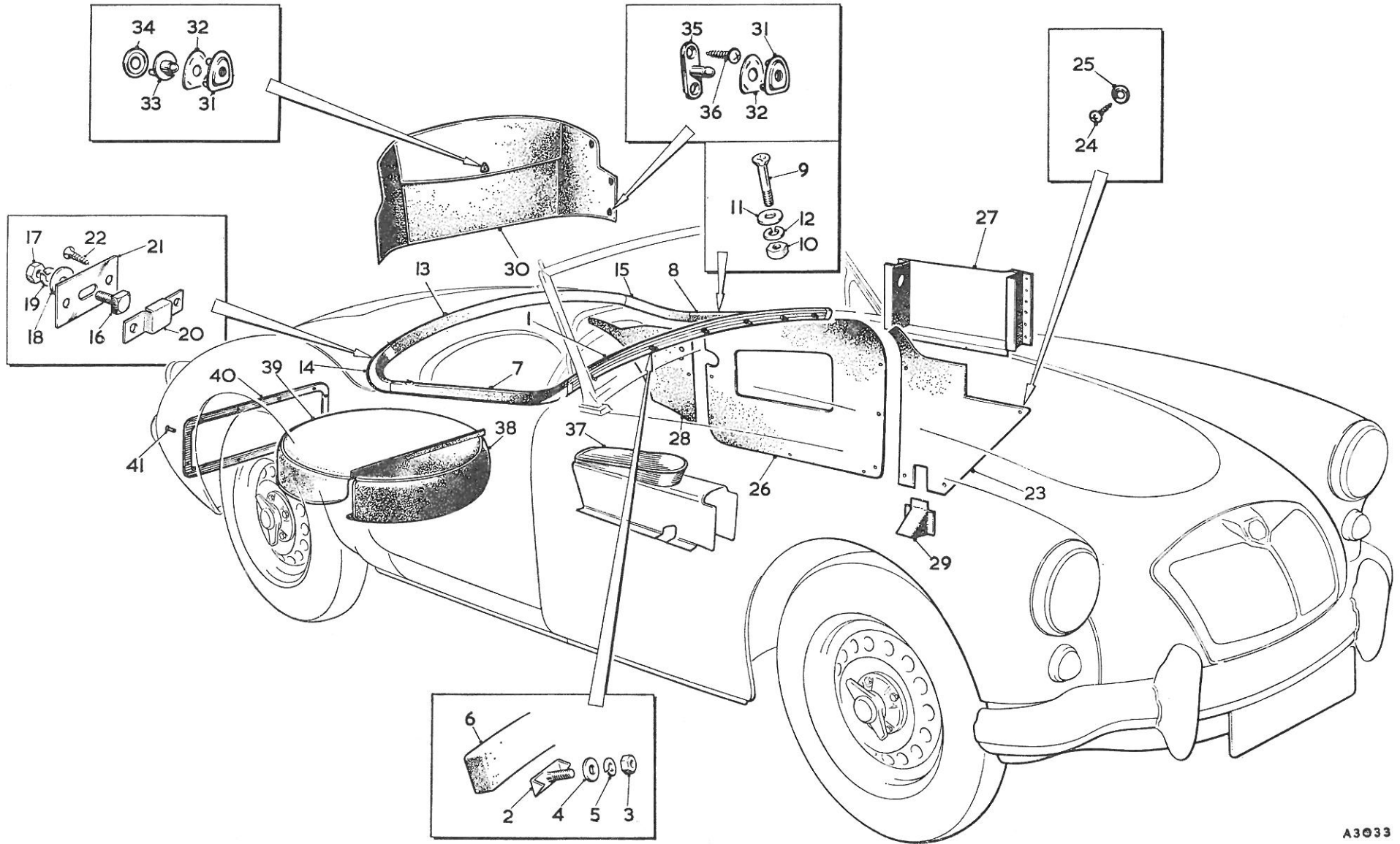
SERVICE PARTS LIST

THE MG Series MGA TWIN CAM

Item No.	DESCRIPTION	Commencing (C) 501		Qty. per Veh.	MODIFICATIONS		REMARKS
		Part Number	Illus. No.		New Part Number	Change Point	
1	Cover assembly—bucket seat squab—L/H (Red with Red piping)	AFH5709		1			
2	Cover assembly—bucket seat squab—L/H (Black with Red piping)	AFH5717		1			
3	Cover assembly—bucket seat squab—L/H (Black with White piping)	AFH5715		1			
4	Cover assembly—bucket seat squab—L/H (Green with Green piping)	AFH5711		1			
5	Cover assembly—bucket seat squab—L/H (Grey with Grey piping)	AFH5713		1		Fin. (C) 2192	
6	Cover assembly—bucket seat squab—L/H (Black with Green piping)	AFH5719		1			
7	Cover assembly—bucket seat squab—L/H (Black with Blue piping)	AFH6567		1			
8	Cover assembly—bucket seat squab—L/H (Beige with Beige piping)			1	AFH6787	Com. (C) 2193	
9	Cover assembly—bucket seat squab—L/H (Black with Blue piping)			1	AFH6789		
10	Casing assembly—bucket seat back (Red with Red piping)	AFH5736		1			
11	Casing assembly—bucket seat back (Black with Red piping)	AFH5740		1			
12	Casing assembly—bucket seat back (Black with White piping)	AFH5739		1			
13	Casing assembly—bucket seat back (Green with Green piping)	AFH5737		1			
14	Casing assembly—bucket seat back (Grey with Grey piping)	AFH5738		1		Fin. (C) 2192	
15	Casing assembly—bucket seat back (Black with Green piping)	AFH5741		1			
16	Casing assembly—bucket seat back (Black with Blue piping)	AFH6570		1			
17	Casing assembly—bucket seat back (Beige with Beige piping)			1	AFH6794	Com. (C) 2193	
18	Casing assembly—bucket seat back (Black with Blue piping)			1	AFH6795		

Item No.	DESCRIPTION	Commencing (C) 501		Qty. per Veh.	MODIFICATIONS		REMARKS
		Part Number	Illus. No.		New Part Number	Change Point	
	De Luxe Seats—continued						
1	Cushion assembly—bucket seat—L/H (Red with Red piping)	AFH5695	8.	1			
2	Cushion assembly—bucket seat—L/H (Black with Red piping)	AFH5703		1			
3	Cushion assembly—bucket seat—L/H (Black with White piping)	AFH5701		1			
4	Cushion assembly—bucket seat—L/H (Green with Green piping)	AFH5697		1			
5	Cushion assembly—bucket seat—L/H (Grey with Grey piping)	AFH5699		1] Fin. (C) 2192	
6	Cushion assembly—bucket seat—L/H (Black with Green piping)	AFH5705		1			
7	Cushion assembly—bucket seat—L/H (Black with Blue piping)	AFH6565		1] Com. (C) 2193	
8	Cushion assembly—bucket seat—L/H (Beige with Beige piping)			1	AFH6783		
9	Cushion assembly—bucket seat—L/H (Black with Blue piping)			1	AFH6785		
10	Cover assembly—bucket seat cushion—L/H (Red with Red piping)	AFH5723		1			
11	Cover assembly—bucket seat cushion—L/H (Black with Red piping)	AFH5731		1			
12	Cover assembly—bucket seat cushion—L/H (Black with White piping)	AFH5729		1			
13	Cover assembly—bucket seat cushion—L/H (Green with Green piping)	AFH5725		1			
14	Cover assembly—bucket seat cushion—L/H (Grey with Grey piping)	AFH5727		1] Fin. (C) 2192	
15	Cover assembly—bucket seat cushion—L/H (Black with Green piping)	AFH5733		1			
16	Cover assembly—bucket seat cushion—L/H (Black with Blue piping)	AFH6569		1] Com. (C) 2193	
17	Cover assembly—bucket seat cushion—L/H (Beige with Beige piping)			1	AFH6791		
18	Cover assembly—bucket seat cushion—L/H (Black with Blue piping)			1	AFH6793		

Item No.	DESCRIPTION	Commencing (C) 501		Qty. per Veh.	MODIFICATIONS		REMARKS
		Part Number	Illus. No.		New Part Number	Change Point	
	SEAT BELTS						
1	Kit—seat belt—R/H	AHH6141		1		Fin. (C) Coupe only 2192	Available as accessories
2	Kit—seat belt—L/H	AHH6193		1			
3	Belt assembly	N.S.P.		1			
4	Plate—reinforcement—belt to tonneau	AHH6138		1			
5	Screw—belt to wheelarch	PMP0508		2			
6	Washer—spring—for screw	LWZ205		2			
7	Bracket—tunnel fixing	AHA6262		1			
8	Screw—bracket to tunnel	PMZ0305		6			
9	Washer—spring—for screw	LWZ203		6			
10	Nut for screw	FNZ103		6			
11	Screw—belt to tunnel	24A382		1			
12	Washer—anti-rattle—for screw	24A459		1			
13	Distance piece—for screw	14A9274		1			
14	Washer—spring—for screw	LWZ207		1			
15	Nut for screw	FNZ107		1			
16	Anchor bracket assembly—side member—R/H	AHH6126		1			
17	Anchor bracket assembly—side member—L/H	AHH6127		1			
18	Pin—quick release	AHH6139		1			
19	Bracket—quick release	AHH6140		1			
20	Screw—bracket fixing	HZS0508		2			
21	Washer—spring—for screw	LWZ205		2			
22	Kit—seat belt—R/H			1	AHH6175	Com. (C) Coupe 2193	Coupe
23	Kit—seat belt—L/H			1	AHH6194		
24	Belt assembly			1	N.S.P.		
25	Plate assembly—reinforcement—belt to wheelarch			1	AHB9016		
26	Nut—dome—belt to reinforcement plate			2	14B2685		
27	Washer—spring—belt to reinforcement plate			2	LWZ205		
28	Bracket—tunnel fixing			1	AHA6262		
29	Screw—bracket to tunnel			6	PMZ0305		
30	Washer—spring—for screw			6	LWZ203		
31	Nut for screw			6	FNZ103		
32	Screw—belt to tunnel			1	24A382		
33	Washer—anti-rattle—for screw			1	24A459		
34	Distance piece—for screw			1	14A9274		
35	Washer—spring—for screw			1	LWZ207		
36	Nut for screw			1	FNZ107		
37	Anchor bracket assembly—side member—R/H			1	AHH6126		
38	Anchor bracket assembly—side member—L/H			1	AHH6127		
39	Pin—quick release			1	AHH6139		
40	Bracket—quick release			1	AHH6140		
41	Screw—bracket fixing			2	HZS0508		
42	Washer—spring—for screw			2	LWZ205		



A3033

Item No.	DESCRIPTION	Commencing (C) 501		Qty. per Veh.	MODIFICATIONS		REMARKS
		Part Number	Illus. No.		New Part Number	Change Point	
	TRIMMING						
1	Trim roll assembly—dash (Red with Red piping)	AFH3740	1	1			Tourer
2	Trim roll assembly—dash (Black with Red piping)	AFH6470		1			
3	Trim roll assembly—dash (Black with White piping)	AFH6473		1			
4	Trim roll assembly—dash (Green with Green piping)	AFH6468		1			
5	Trim roll assembly—dash (Grey with Grey piping)	AFH6469		1		Fin. (C) 2192	
6	Trim roll assembly—dash (Dark with Green piping)	AFH6471		1			
7	Trim roll assembly—dash (Black with Grey piping)	AFH6472		1			
8	Trim roll assembly—dash (Beige with Beige piping)			1	AFH6694	Com. (C) 2193	
9	Trim roll assembly—dash (Black with Blue piping)			1	AFH6695		
10	Bolt fixing dash trim roll (claw head)	AFH1900	2	6			
11	Nut for bolt	FNZ103	3	6			
12	Washer for nut (plain)	PWZ203	4	6			
13	Washer for nut (spring)	LWZ203	5	6			
14	Rubber—dash trim roll surround	AFH1846	6	1			
15	Trim roll assembly—door—R/H (Red with Red piping)	AFH3742	7	1			
16	Trim roll assembly—door—R/H (Black with Red piping)	AFH6496		1			
17	Trim roll assembly—door—R/H (Black and White piping)	AFH6502		1			
18	Trim roll assembly—door—R/H (Green with Green piping)	AFH6492		1			
19	Trim roll assembly—door—R/H (Grey with Grey piping)	AFH6494		1		Fin. (C) 2192	
20	Trim roll assembly—door—R/H (Black with Green piping)	AFH6498		1			
21	Trim roll assembly—door—R/H (Black with Grey piping)	AFH6500		1			
22	Trim roll assembly—door—R/H (Beige with Beige piping)			1	AFH6702	Com. (C) 2193	
23	Trim roll assembly—door—R/H (Black with Blue piping)			1	AFH6704		
24	Trim roll assembly—door—L/H (Red with Red piping)	AFH5743	8	1			
25	Trim roll assembly—door—L/H (Black with Red piping)	AFH6497		1			
26	Trim roll assembly—door—L/H (Black with White piping)	AFH6303		1			

SERVICE PARTS LIST

THE MG Series MGA TWIN CAM

Item No.	DESCRIPTION	Commencing (C) 501		Qty. per Veh.	MODIFICATIONS		REMARKS
		Part Number	Illus. No.		New Part Number	Change Point	
	Trimming—continued						
1	Trim roll assembly—door—L/H (Green with Green piping)	AFH6493		1] Fin. (C) 2192] Tourer
2	Trim roll assembly—door—L/H (Grey with Grey piping)	AFH6495		1			
3	Trim roll assembly—door—L/H (Black with Green piping)	AFH6499		1] Com. (C) 2193	
4	Trim roll assembly—door—L/H (Black with Grey piping)	AFH6501		1			
5	Trim roll assembly—door—L/H (Beige with Beige piping)			1	AFH6703		
6	Trim roll assembly—door—L/H (Black with Blue piping)			1	AFH6705		
7	Screw fixing door trim roll	CMZ0320		9			
8	Nut for screw	FNZ103		10			
9	Washer for nut (plain)	PWZ203		11			
10	Washer for nut (spring)	LWZ203		12			
11	Trim roll assembly—centre (Red with Red piping)	AFH3741	13	1			
12	Trim rail assembly—rear—centre (Black with Red piping)	AFH6476		1			
13	Trim roll assembly—rear—centre (Black with White piping)	AFH6479		1			
14	Trim roll assembly—rear—centre (Green with Green piping)	AFH6476		1] Fin. (C) 2192	
15	Trim roll assembly—rear—centre (Grey with Grey piping)	AFH6475		1			
16	Trim roll assembly—rear—centre (Black with Green piping)	AFH6477		1] Com. (C) 2193	
17	Trim roll assembly—rear—centre (Black with Grey piping)	AFH6478		1			
18	Trim roll assembly—rear—centre (Beige with Beige piping)			1	AFH6696		
19	Trim roll assembly—rear—centre (Black with Blue piping)			1	AFH6697		
20	Trim roll assembly—rear—R/H end (Red with Red piping)	AFH3744	14	1			
21	Trim roll assembly—rear—R/H end (Black with Red piping)	AFH6484		1			
22	Trim roll assembly—rear—R/H end (Black with White piping)	AFH6490		1			
23	Trim roll assembly—rear—R/H end (Green with Green piping)	AFH6480		1] Fin. (C) 2192	
24	Trim roll assembly—rear—R/H end (Grey with Grey piping)	AFH6482		1			
25	Trim roll assembly—rear—R/H end (Black with Green piping)	AFH6486		1			
26	Trim roll assembly—rear—R/H end (Black with Grey piping)	AFH6488		1			

SERVICE PARTS LIST

THE MG Series MGA TWIN CAM

Item No.	DESCRIPTION	Commencing (C) 501		Qty. per Veh.	MODIFICATIONS		REMARKS
		Part Number	Illus. No.		New Part Number	Change Point	
1	Trim roll assembly—rear—R/H end (Beige with Beige piping)			1	AFH6698] Com. (C) 2193] Tourer
2	Trim roll assembly—rear—R/H end (Black with Blue piping)			1	AFH6700		
3	Trim roll assembly—rear—L/H end (Red with Red piping)	AFH3745	15	1			
4	Trim roll assembly—rear—L/H end (Black with Red piping)	AFH6485		1			
5	Trim roll assembly—rear—L/H end (Black with White piping)	AFH6491		1			
6	Trim roll assembly—rear—L/H end (Green with Green piping)	AFH6481		1			
7	Trim roll assembly—rear—L/H end (Grey with Grey piping)	AFH6483		1] Fin. (C) 2192		
8	Trim roll assembly—rear—L/H end (Black with Green piping)	AFH6487		1			
9	Trim roll assembly—rear—L/H end (Black with Grey piping)	AFH6489		1			
10	Trim roll assembly—rear—L/H end (Beige with Beige piping)			1	AFH6699] Com. (C) 2193	
11	Trim roll assembly—rear—L/H end (Black with Blue piping)			1	AFH6701		
12	Bolt fixing rear trim roll (special)	AFH2819	16	9			
13	Nut for bolt	FNZ103	17	9			
14	Washer for nut (plain)	PWZ203	18	9			
15	Washer for nut (spring)	LWZ203	19	9			
16	Retainer for bolt	AFH2820	20	9			
17	Base plate for retainer	AFH2821	21	9			
18	Screw fixing retainer	CTZ604	22	18			
19	Liner assembly—dash side—R/H (Red)	AFH2560		1			
20	Liner assembly—dash side—R/H (Black)	AFH6508		1			
21	Liner assembly—dash side—R/H (Green)	AFH6504		1] Fin. (C) 2192		
22	Liner assembly—dash side—R/H (Grey)	AFH6506		1			
23	Liner assembly—dash side—R/H (Beige)			1	AFH6706	Com. (C) 2193	
24	Liner assembly—dash side—L/H (Red)	AFH2561	23	1			
25	Liner assembly—dash side—L/H (Black)	AFH6509		1			
26	Liner assembly—dash side—L/H (Green)	AFH6505		1] Fin. (C) 2192		
27	Liner assembly—dash side—L/H (Grey)	AFH6507		1			
28	Liner assembly—dash side—L/H (Beige)			1	AFH6707	Com. (C) 2193	
29	Screw fixing dash side liner	RTP404	24	10			
30	Washer for screw (cup)	7701	25	10			
31	Liner assembly—door—R/H (Red)	AFH2562		1			
32	Liner assembly—door—R/H (Black)	AFH6514		1			
33	Liner assembly—door—R/H (Green)	AFH6510		1] Fin. (C) 2192		
34	Liner assembly—door—R/H (Grey)	AFH6512		1			
35	Liner assembly—door—R/H (Beige)			1	AFH6708	Com. (C) 2193	

SERVICE PARTS LIST

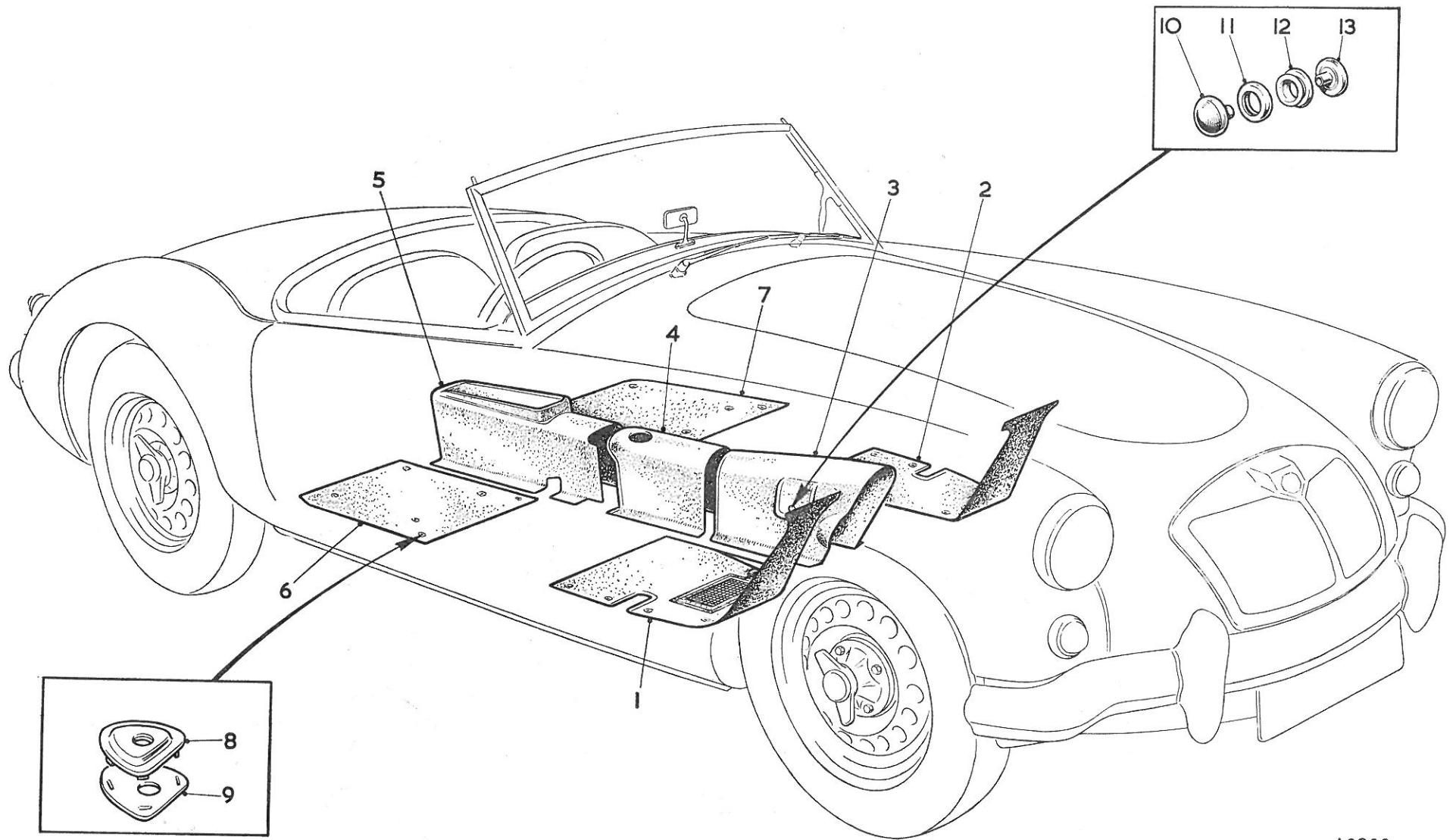
THE MG Series MGA TWIN CAM

Item No.	DESCRIPTION	Commencing (C) 501		Qty. per Veh.	MODIFICATIONS		REMARKS
		Part Number	Illus. No.		New Part Number	Change Point	
	Trimming—continued						
1	Liner assembly—door—L/H (Red)	AFH2563	26	1] Tourer
2	Liner assembly—door—L/H (Black)	AFH6515		1			
3	Liner assembly—door—L/H (Green)	AFH6511		1		Fin. (C) 2192	
4	Liner assembly—door—L/H (Grey)	AFH6513		1			
5	Liner assembly—door—L/H (Beige)			1	AFH6709	Com. (C) 2193	
6	Screw fixing door liner (3/8")	RTP407		4			
7	Screw fixing door liner (1/2")	RTP404		22			
8	Washer for screw (cup)	7701		26			
9	Pocket assembly—door—R/H (Red)	AFH2568		1			
10	Pocket assembly—door—R/H (Black)	AFH6526		1			
11	Pocket assembly—door—R/H (Green)	AFH6522		1		Fin. (C) 2192	
12	Pocket assembly—door—R/H (Grey)	AFH6524		1			
13	Pocket assembly—door—R/H (Beige)			1	AFH6712	Com. (C) 2193	
14	Pocket assembly—door—L/H (Red)	AFH2569	27	1			
15	Pocket assembly—door—L/H (Black)	AFH6527		1			
16	Pocket assembly—door—L/H (Green)	AFH6523		1		Fin. (C) 2192	
17	Pocket assembly—door—L/H (Grey)	AFH6525		1			
18	Pocket assembly—door—L/H (Beige)			1	AFH6713	Com. (C) 2193	
19	Screw fixing door pocket	AJD8772		24			
20	Liner assembly—rear quarter—R/H (Red)	AFH2564		1			
21	Inner assembly—rear quarter—R/H (Black)	AFH6520		1			
22	Liner assembly—rear quarter—R/H (Green)	AFH6516		1		Fin. (C) 2192	
23	Liner assembly—rear quarter—R/H (Grey)	AFH6518		1			
24	Liner assembly—rear quarter—R/H (Beige)			1	AFH6710	Com. (C) 2193	
25	Liner assembly—rear quarter—L/H (Red)	AFH2565	28	1			
26	Liner assembly—rear quarter—L/H (Black)	AFH6521		1			
27	Liner assembly—rear quarter—L/H (Green)	AFH6517		1		Fin. (C) 2192	
28	Liner assembly—rear quarter—L/H (Grey)	AFH6519		1			
29	Liner assembly—rear quarter—L/H (Beige)			1	AFH6711	Com. (C) 2193	
30	Screw fixing rear quarter liner	RTP404		2			
31	Washer for screw (cup)	7701		2			
32	Cover assembly—dash side mounting (Red)	AFH2567	29	2			
33	Cover assembly—dash side mounting (Black)	AFH5608		2			
34	Cover assembly—dash side mounting (Green)	AFH5606		2		Fin. (C) 2192	
35	Cover assembly—dash side mounting (Grey)	AFH5607		2			
36	Cover assembly—dash side mounting (Beige)			2	AFH6714	Com. (C) 2193	
37	Stowage assembly—sidescreen (Red)	AFH2570	30	1	AFH6854	Com. (C) 2540	
38	Stowage assembly—sidescreen (Black)	AFH5898		1	AFH6856		
39	Stowage assembly—sidescreen (Green)	AFH5896		1		Fin. (C) 2192	
40	Stowage assembly—sidescreen (Grey)	AFH5897		1			
41	Stowage assembly—sidescreen (Beige)			1	AFH6715	Com. (C) 2193	
					AFH6855	Com. (C) 2540	

SERVICE PARTS LIST

THE MG Series MGA TWIN CAM

Item No.	DESCRIPTION	Commencing (C) 501		Qty. per Veh.	MODIFICATIONS		REMARKS
		Part Number	Illus. No.		New Part Number	Change Point	
	Trimming—continued						
1	Sleeve—sidescreen stowage retaining plate (rubber)			1	AFH6877	Com. (C) 2193	Part No. change was 7H9961 Part No. change was 7H9963 Tourer
2	Fastener—lift-the-dot	2H5003	31	7			
3	Plate—clinch	2H5004	32	7			
4	Clinch—pronged	7H9964	33	1			
5	Plate—clinch	7H9960	34	1			
6	Stud for lift-the-dot fastener	97H499	35	6			
7	Screw—stud to body	RTP605	36	12			
8	Cover assembly—centre armrest—Red with Red piping	AFH2609	37	1			
9	Cover assembly—centre armrest—Black with Red piping	AFH6464		1			
10	Cover assembly—centre armrest—Black with White piping	AFH6467		1			
11	Cover assembly—centre armrest—Green with Green piping	AFH6462		1			
12	Cover assembly—centre armrest—Grey with Grey piping	AFH6463		1		Fin. (C) 2192	
13	Cover assembly—centre armrest—Black with Green piping	AFH6465		1			
14	Cover assembly—centre armrest—Black with Grey piping	AFH6466		1			
15	Cover assembly—centre armrest—Beige with Beige piping			1	AFH6692	Com. (C) 2193	
16	Cover assembly—centre armrest—Black with Blue piping			1	AFH6693		
17	Cover—spare wheel (front)	AFH2571	38	1			
18	Cover—spare wheel (rear)	AFH2572	39	1			
19	Frame—spare wheel cover	AFH1731	40	1			
20	Rivet for frame	AFH5452	41	12			



A3032

SERVICE PARTS LIST

THE MG Series MGA TWIN CAM

Item No.	DESCRIPTION	Commencing (C) 501		Qty. per Veh.	MODIFICATIONS		REMARKS
		Part Number	Illus. No.		New Part Number	Change Point	
	<i>Trimming—continued</i>						
1	Carpet assembly—front—R/H—Black RHD	AFH6528	1	1			} Tourer
2	Carpet assembly—front—L/H—Black RHD	AFH4825	2	1			
3	Carpet assembly—front—R/H—Black LHD	AFH6530		1			
4	Carpet assembly—front—L/H—Black LHD	AFH4827		1			
5	Carpet assembly—tunnel—front—Black	AFH6529	3	1			
6	Carpet assembly—tunnel—intermediate—Black	AFH2474	4	1			
7	Carpet assembly—tunnel—rear—Black and Armrest assembly Red with Red piping	AFH1860	5	1			
8	Carpet assembly—tunnel—rear—Black and armrest assembly Black with Red piping	AFH6546		1			
9	Carpet assembly—tunnel—rear—Black and armrest assembly Black with White piping	AFH6549		1			
10	Carpet assembly—tunnel—rear—Black and armrest assembly Green with Green piping	AFH6544		1			
11	Carpet assembly—tunnel—rear—Black and armrest assembly Grey with Grey piping	AFH6545		1		Fin. (C) 2192	
12	Carpet assembly—tunnel—rear—Black and armrest assembly Black with Green piping	AFH6547		1			
13	Carpet assembly—tunnel—rear—Black and armrest assembly Black with Grey piping	AFH6548		1			
14	Carpet assembly—tunnel—rear—Black and armrest assembly Beige with Beige piping			1	AFH6716	Com. (C) 2193	
15	Carpet assembly—tunnel—rear—Black and armrest assembly Black with Blue piping			1	AFH6717		
16	Carpet assembly—rear—R/H—Black	AFH2466	6	1			
17	Carpet assembly—rear—L/H—Black	AFH2467	7	1			
18	Fastener—lift-the-dot	7H9962	8	16			
19	Plate—clinch	2H5004	9	16		Part No. change was 7H9963	
20	Button—durable dot	7H9864	10	1			
21	Socket—durable dot	7H9866	11	1			
22	Stud—durable dot	7H9867	12	1			
23	Eyelet—durable dot	7H9868	13	1			