

SERVICE PARTS LIST

THE MG Series MGA TWIN CAM

Item No.	DESCRIPTION	Commencing (C) 501		Qty. per Veh.	MODIFICATIONS		REMARKS
		Part Number	Illus. No.		New Part Number	Change Point	
	Trimming—continued						
1	Trim roll assembly—dash—Red with Red piping	AFH4652	1	1			
2	Trim roll assembly—dash—Green with Green piping	AFH5556		1			
3	Trim roll assembly—dash—Grey with Grey piping	AFH5557		1			
4	Trim roll assembly—dash—Blue with Blue piping	AFH5558		1		Fin. (C) 2291	
5	Trim roll assembly—dash—White with White piping	AFH5559		1			
6	Trim roll assembly—dash—Black with Black piping	AFH5560		1			
7	Trim roll assembly—dash—Beige with Beige piping			1	AFH6740		
8	Trim roll assembly—dash—Black with Red piping			1	AFH6741	Com. (C) 2292	
9	Trim roll assembly—dash—Black with Blue piping			1	AFH6742		
10	Trim roll assembly—dash—Black with White piping			1	AFH6743		
11	Bolt fixing dash trim roll (claw head)			1	AFH6743		
12	Nut for bolt	AFH1900	2	6			
13	Washer for nut (plain)	FNZ103	3	6			
14	Washer for nut (spring)	PWZ203	4	6			
15	Rubber—dash trim roll surround	LWZ203	5	6			
16	Liner assembly with map pocket—R/H—Red	AFH1846	6	1			
17	Liner assembly with map pocket—L/H—Red	AFH4642	7	1			
18	Liner assembly with map pocket—L/H—Red	AFH4643		1			
19	Liner assembly with map pocket—R/H—Black	AFH5566		1			
20	Liner assembly with map pocket—L/H—Black	AFH5567		1			
21	Liner assembly with map pocket—R/H—Green	AFH5562		1		Fin. (C) 2291	
22	Liner assembly with map pocket—L/H—Green	AFH5563		1			
23	Liner assembly with map pocket—R/H—Grey	AFH5564		1			
24	Liner assembly with map pocket—L/H—Grey	AFH5565		1			
25	Liner assembly with map pocket—R/H—Beige			1	AFH6744	Com. (C) 2292	
26	Liner assembly with map pocket—L/H—Beige			1	AFH6745		
27	Screw fixing liner	RTP405	8	10			
28	Washer for screw (cup)	7701	9	10			
29	Liner assembly—door—R/H—Red with Red piping	AFH4644	10	1			
30	Liner assembly—door—L/H—Red with Red piping	AFH4645		1			
31	Liner assembly—door—R/H—Black with White piping	AFH5572		1			
32	Liner assembly—door—L/H—Black with White piping	AFH5573		1			
33	Liner assembly—door—R/H—Black with Red piping	AFH5574		1			
	Liner assembly—door—L/H—Black with Red piping	AFH5575		1			

Coupe

SERVICE PARTS LIST

THE MG Series MGA TWIN CAM

Item No.	DESCRIPTION	Commencing (C) 501		Qty. per Veh.	MODIFICATIONS		REMARKS	
		Part Number	Illus. No.		New Part Number	Change Point		
	Trimming—continued							
1	Liner assembly—door—R/H (Green with Green piping)	AFH5562		1] Fin. (C) 2291	Coupe	
2	Liner assembly—door—L/H (Green with Green piping)	AFH5569		1				
3	Liner assembly—door—R/H (Grey with Grey piping)	AFH5570		1				
4	Liner assembly—door—L/H (Grey with Grey piping)	AFH5571		1				
5	Liner assembly—door—R/H (Black with Green piping)	AFH5576		1				
6	Liner assembly—door—L/H (Black with Green piping)	AFH5577		1				
7	Liner assembly—door—R/H (Black with Blue piping)	AFH5578		1				
8	Liner assembly—door—L/H (Black with Blue piping)	AFH5579		1				
9	Liner assembly—door—R/H (Beige with Beige piping)			1	AFH6746] Com. (C) 2292
10	Liner assembly—door—L/H (Beige with Beige piping)			1	AFH6747			
11	Liner assembly—door—R/H (Black with Blue piping)			1	AFH6805			
12	Liner assembly—door—L/H (Black with Blue piping)			1	AFH6806			
13	Screw fixing door liner	RTP405		16				
14	Washer for screw (cup)	7701		16				
15	Liner assembly—rear quarter—R/H (Red)	AFH4646	11	1] Fin. (C) 2291		
16	Liner assembly—rear quarter—L/H (Red)	AFH4647		1				
17	Liner assembly—rear quarter—R/H (Green)	AFH5580		1				
18	Liner assembly—rear quarter—L/H (Green)	AFH5581		1				
19	Liner assembly—rear quarter—R/H (Grey)	AFH5582		1				
20	Liner assembly—rear quarter—L/H (Grey)	AFH5583		1				
21	Liner assembly—rear quarter—R/H (Black)	AFH5584		1				
22	Liner assembly—rear quarter—L/H (Black)	AFH5585		1				
23	Liner assembly—rear quarter—R/H (Red)			1	AFH6826] Com. (C) 2292	
24	Liner assembly—rear quarter—L/H (Red)			1	AFH6827			
25	Liner assembly—rear quarter—R/H (Beige)			1	AFH6748			
26	Liner assembly—rear quarter—L/H (Beige)			1	AFH6749			
27	Liner assembly—rear quarter—R/H (Black)			1	AFH6828			
28	Liner assembly—rear quarter—L/H (Black)			1	AFH6829			
29	Screw fixing rear quarter liner	RTP405		10				
30	Washer for screw (cup)	7701		10				
31	Liner assembly—header (front)	AFH4653	12	1				
32	Screw fixing header liner	RTP405		6				
33	Washer for screw (cup)	7701		6				
34	Liner assembly—cant rail (R/H)	AFH4654	13	1				
35	Liner assembly—cant rail (L/H)	AFH4655	14	1				
36	Screw fixing cant rail liner	RTP405		14				
37	Washer for screw (cup)	7701		14				

SERVICE PARTS LIST

THE MG Series MGA TWIN CAM

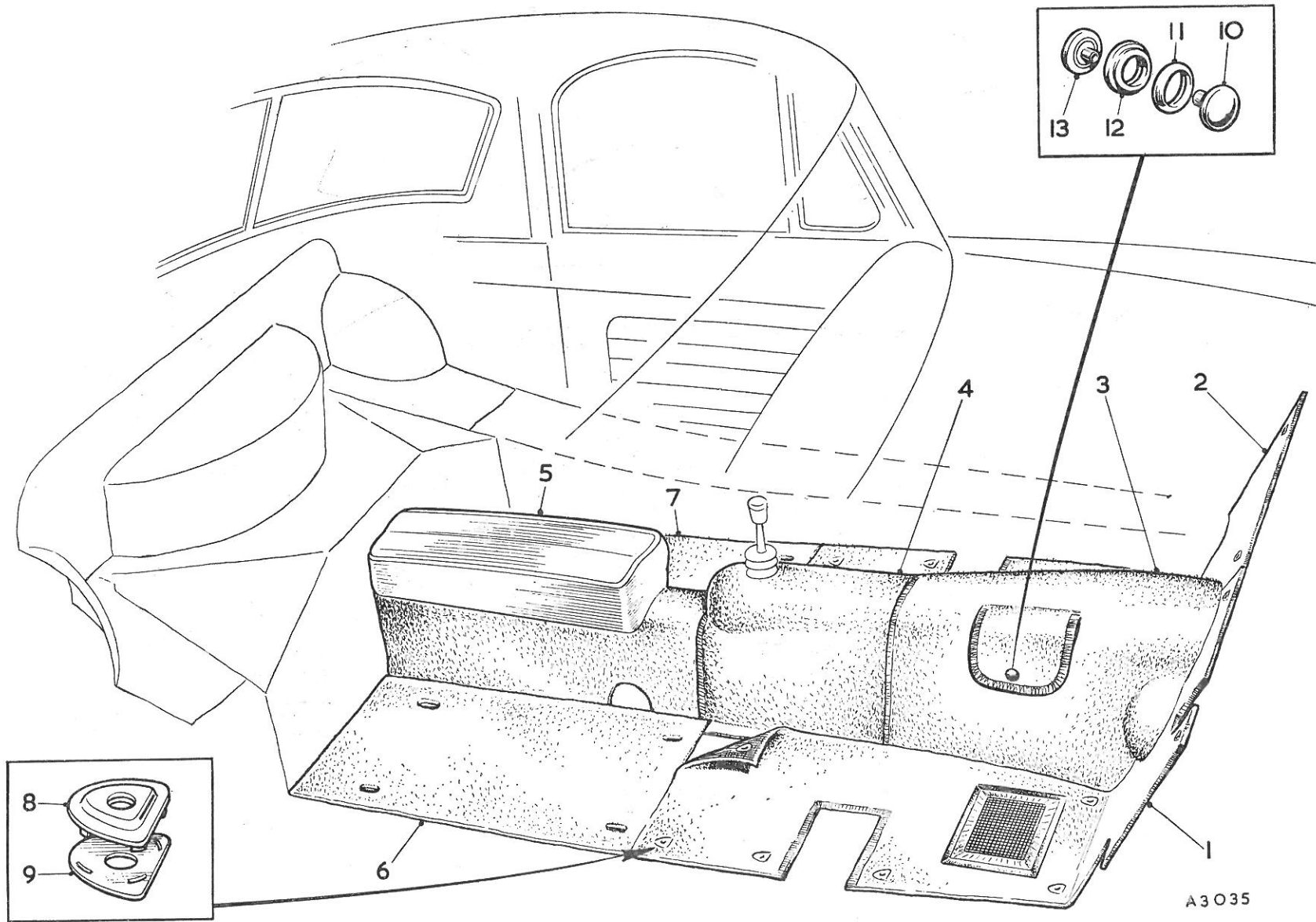
Item No.	DESCRIPTION	Commencing (C) 501		Qty. per Veh.	MODIFICATIONS		REMARKS
		Part Number	Illus. No.		New Part Number	Change Point	
	Trimming—continued						
1	Cover assembly—dash side mounting (Red)	AFH2567	RO15	2			Coupe
2	Cover assembly—dash side mounting (Black)	AFH5608		2			
3	Cover assembly—dash side mounting (Green)	AFH5606		2		Fin. (C) 2291	
4	Cover assembly—dash side mounting (Grey)	AFH5607		2			
5	Cover assembly—dash side mounting (Beige)			2	AFH6752	Com. (C) 2292	
6	Cover assembly—centre arm-rest (Red with Red piping)	AFH4631	RO16	1			
7	Cover assembly—centre arm-rest (Black with White piping)	AFH5552		1			
8	Cover assembly—centre arm-rest (Black with Red piping)	AFH5553		1			
9	Cover assembly—centre arm-rest (Green with Green piping)	AFH5550		1			
10	Cover assembly—centre arm-rest (Grey with Grey piping)	AFH5551		1		Fin. (C) 2291	
11	Cover assembly—centre arm-rest (Black with Green piping)	AFH5554		1			
12	Cover assembly—centre arm-rest (Black with Blue piping)	AFH5555		1			
13	Cover assembly—centre arm-rest (Beige with Beige piping)			1	AFH6738	Com. (C) 2292	
14	Cover assembly—centre arm-rest (Black with Blue piping)			1	AFH6739		
15	Capping assembly—door—R.H. (Red)	AFH4648	RO17	1			
16	Capping assembly—door—L.H. (Red)	AFH4649		1			
17	Capping assembly—door—R.H. (Black)	AFH5594		1			
18	Capping assembly—door—L.H. (Black)	AFH5595		1			
19	Capping assembly—door—R.H. (Green)	AFH5586		1			
20	Capping assembly—door—L.H. (Green)	AFH5587		1			
21	Capping assembly—door—R.H. (Grey)	AFH5588		1			
22	Capping assembly—door—L.H. (Grey)	AFH5589		1		Fin. (C) 2291	
23	Capping assembly—door—R.H. (Blue)	AFH5590		1			
24	Capping assembly—door—L.H. (Blue)	AFH5591		1			
25	Capping assembly—door—R.H. (White)	AFH5592		1			
26	Capping assembly—door—L.H. (White)	AFH5593		1			
27	Capping assembly—door—R.H. (Beige)			1	AFH6750	Com. (C) 2292	
28	Capping assembly—door—L.H. (Beige)			1	AFH6751		
29	Screw fixing door capping	RTP408		2			
30	Washer for screw (cup)	7701		2			

SERVICE PARTS LIST

THE MG Series MGA TWIN CAM

Item No.	DESCRIPTION	Commencing (C) 501		Qty. per Veh.	MODIFICATIONS		REMARKS
		Part Number	Illus. No.		New Part Number	Change Point	
1	Trimming—continued						
2	Capping assembly—rear quarter—R.H. (Red)	AFH4650	RO18	1			
3	Capping assembly—rear quarter—L.H. (Red)	AFH4651		1			
4	Capping assembly—rear quarter—R.H. (Green)	AFH5596		1			
5	Capping assembly—rear quarter—L.H. (Green)	AFH5597		1			
6	Capping assembly—rear quarter—R.H. (Grey)	AFH5598		1			
7	Capping assembly—rear quarter—L.H. (Grey)	AFH5599		1		Fin. (C) 2291	
8	Capping assembly—rear quarter—R.H. (Blue)	AFH5600		1			
9	Capping assembly—rear quarter—L.H. (Blue)	AFH5601		1			
10	Capping assembly—rear quarter—R.H. (White)	AFH5602		1			
11	Capping assembly—rear quarter—L.H. (White)	AFH5603		1			
12	Capping assembly—rear quarter—R.H. (Black)	AFH5604		1			
13	Capping assembly—rear quarter—L.H. (Black)	AFH5605		1			
14	Capping assembly—rear quarter—R.H.			1	AFH6652		
15	Capping assembly—rear quarter—L.H.			1	AFH6653		
16	Screw fixing rear quarter capping	RTP405		4			
17	Washer for screw (cup)	7701		4			
18	Shelf assembly—rear (Red)	AFH4660	RO19	1			
19	Shelf assembly—rear (Green)	AFH5609		1			
20	Shelf assembly—rear (Grey)	AFH5610		1		Fin. (C) 2291	
21	Shelf assembly—rear (Blue)	AFH5611		1			
22	Shelf assembly—rear (White)	AFH5612		1			
23	Shelf assembly—rear (Black)	AFH5613		1			
24	Shelf assembly—rear (Red)			1	AFH6764		
25	Shelf assembly—rear (Beige)			1	AFH6753		
26	Shelf assembly—rear (Black)			1	AFH6766		
27	Screw fixing rear shelf	PTZ604	RO20	4			
28	Washer for screw (plain)	PWZ202	RO21	4			
29	Fillet assembly—rear shelf (Red)	AFH4656	RO22	1			
30	Fillet assembly—rear shelf (Green)	AFH5614		1			
31	Fillet assembly—rear shelf (Grey)	AFH5615		1		Fin. (C) 2291	
32	Fillet assembly—rear shelf (Blue)	AFH5616		1			
33	Fillet assembly—rear shelf (White)	AFH5617		1			
34	Fillet assembly—rear shelf (Black)	AFH5618		1			
35	Fillet assembly—rear shelf (Red)			1	AFH6755		
36	Fillet assembly—rear shelf (Beige)			1	AFH6754		
37	Fillet assembly—rear shelf (Black)			1	AFH6765		
38	Screw fixing rear shelf fillet	RTP606	RO23	6			
39	Washer for screw (cup)	7700	RO24	6			
40	Cover—spare wheel (front)	AFH5786	RO25	1			
41	Cover—spare wheel (rear)	AFH2572	RO26	1			
42	Frame—spare wheel cover	AFH1731	RO27	1		Fin. (C) 2291	
43	Rivet for frame	AFH5452	RO28	12			
44	Cover assembly—spare wheel			1	AFH6655		
45	Door pull	AFH4512	RO29	2			
46	Plate fixing door-pull	AFB776	RO30	2			
47	Screw—plate to door	CTZ603	RO31	6			
48	Headlining assembly	AFH4657	RO32	1			
49	Listing rod—headlining (front)	AFH4485	RO33	1			
50	Listing rod—headlining (centre)	AFH4486	RO34	1			
51	Listing rod—headlining (rear)	AFH4487	RO35	1			
	Screw—listing rod to body	AJD8172	RO36	8			

Coupe



SERVICE PARTS LIST

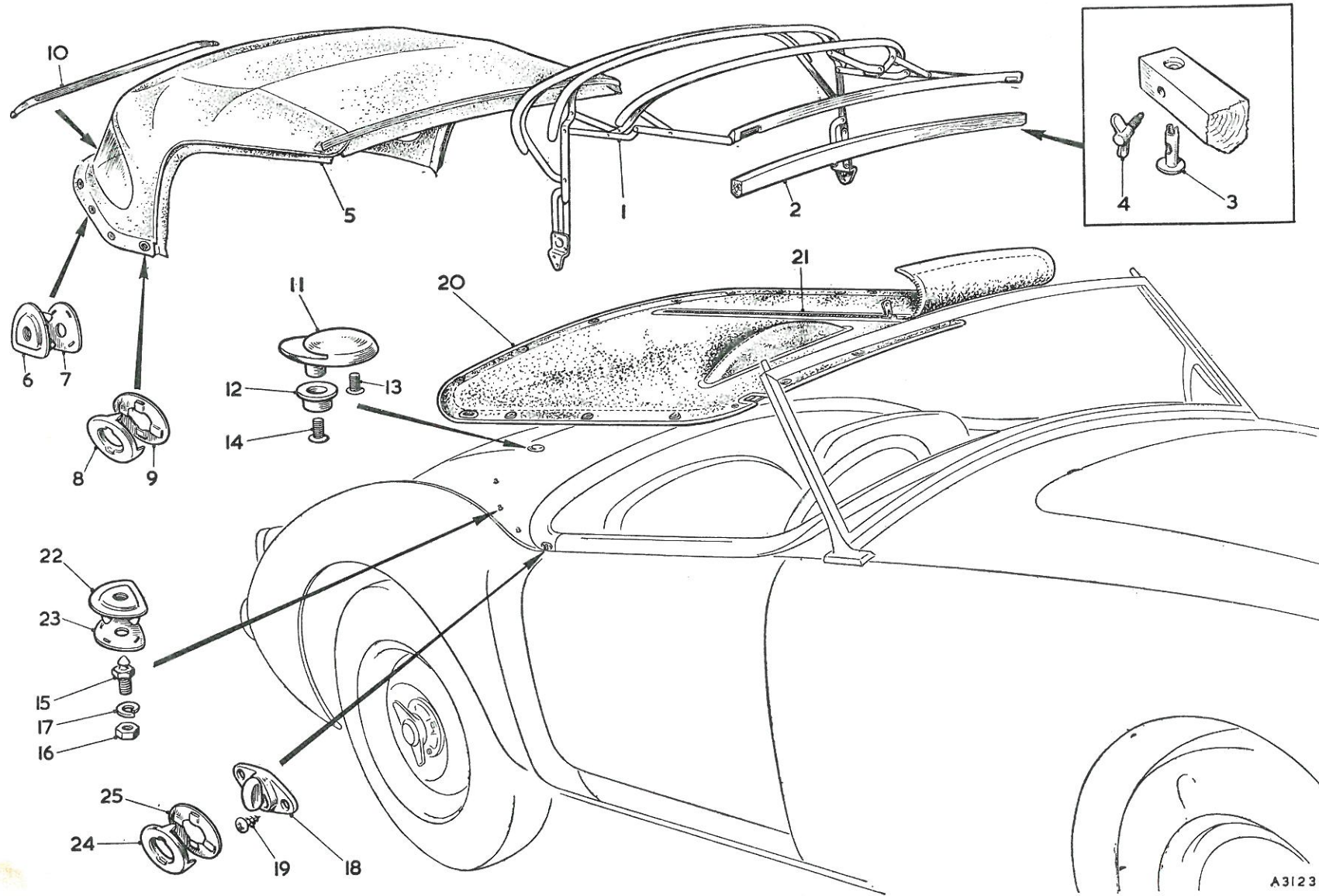
THE MG Series MGA TWIN CAM

Item No.	DESCRIPTION	Commencing (C) 501		Qty. per Veh.	MODIFICATIONS		REMARKS
		Part Number	Illus. No.		New Part Number	Change Point	
	Trimming—continued						
1	Carpet assembly—front—R/H—Grey RHD	AFH6536	1	1			
2	Carpet assembly—front—L/H—Grey RHD	AFH5755	2	1			
3	Carpet assembly—front—R/H—Grey LHD	AFH6537		1			
4	Carpet assembly—front—L/H—Grey LHD	AFH5757		1			
5	Carpet assembly—tunnel—front—Grey	AFH6535	3	1			
6	Carpet assembly—tunnel—intermediate—Grey	AFH5763	4	1			
7	Carpet assembly—tunnel—rear—Grey and armrest assembly Red with Red piping	AFH4661	5	1			
8	Carpet assembly—tunnel—rear—Grey and armrest assembly black with White piping	AFH6552		1			
9	Carpet assembly—tunnel—rear—Grey and armrest assembly Black with Red piping	AFH6553		1			
10	Carpet assembly—tunnel—rear—Grey and armrest assembly Green with Green piping	AFH6550		1			
11	Carpet assembly—tunnel—rear—Grey and armrest assembly Grey with Grey piping	AFH6551		1		Fin. (C) 2291	
12	Carpet assembly—tunnel—rear—Grey and armrest assembly Black with Grey piping	AFH6554		1			Coupe
13	Carpet assembly—tunnel—rear—Grey and armrest assembly Black with Blue piping	AFH6555		1			
14	Carpet assembly—tunnel—rear—Grey and armrest assembly Beige with Beige piping			1	AFH6758	Com. (C) 2292	
15	Carpet assembly—tunnel—rear—Grey and armrest assembly Black with Blue piping			1	AFH6759		
16	Carpet assembly—rear—R/H—Grey	AFH5764	6	1			
17	Carpet assembly—rear—L/H—Grey	AFH5765	7	1			
18	Fastener—lift-the-dot	7H9962	8	16			
19	Plate—clinch	2H5004	9	16			Part No. change Was 7H9963
20	Button—durable dot	7H9864	10	1			
21	Socket—durable dot	7H9866	11	1			
22	Stud—durable dot	7H9867	12	1			
23	Eyelet—durable dot	7H9868	13	1			

SERVICE PARTS LIST

THE MG Series MGA TWIN CAM

Item No.	DESCRIPTION	Commencing (C) 501		Qty. per Veh.	MODIFICATIONS		REMARKS
		Part Number	Illus. No.		New Part Number	Change Point	
	BULK MATERIAL TRIM						
1	Leathercloth 50" wide—Red	AFH1831		A/R			
2	Leathercloth 50" wide—Green	AFH1832		A/R] Fin. (C) 2192		
3	Leathercloth 50" wide—Grey	AFH1833		A/R			
4	Leathercloth 50" wide—Black	AFH1834		A/R			
5	Leathercloth 50" wide—Beige			A/R	AFH6662	Com. (C) 2193	
6	Leathercloth 50" wide—Blue	AFH4754		A/R			
7	Leathercloth 50" wide—Off White	AFH4755		A/R			
8	Piping—door hinge pillar—Red	AFH4771		A/R			
9	Piping—door hinge pillar—Green	AFH4772		A/R] Fin. (C) 2192		
10	Piping—door hinge pillar—Grey	AFH4773		A/R			
11	Piping—door hinge pillar—Black	AFH4774		A/R			
12	Piping—door hinge pillar—Biege			A/R	AFH6671	Com. (C) 2193	
13	Piping—trim roll—Red	AFH4835		A/R			
14	Piping—trim roll—White	AFH4838		A/R			
15	Piping—trim roll—Green	AFH4836		A/R] Fin. (C) 2192		
16	Piping—trim roll—Grey	AFH4837		A/R			
17	Piping—trim roll—Black	AFH4839		A/R] Fin. (C) 2291		
18	Piping—trim roll—Blue	AFH4840		A/R			
19	Piping—trim roll—Blue			A/R] Com. (C) 2193		
20	Piping—trim roll—Biege			A/R			
21	Carpet 40" wide—Black	ADE539		A/R			
22	Carpet 40" wide—Grey	AFH5785		A/R			
23	Headlining	AFH4614		A/R			
24	Felt—72" wide	87988		A/R			



A3123

SERVICE PARTS LIST

THE MG Series MGA TWIN CAM

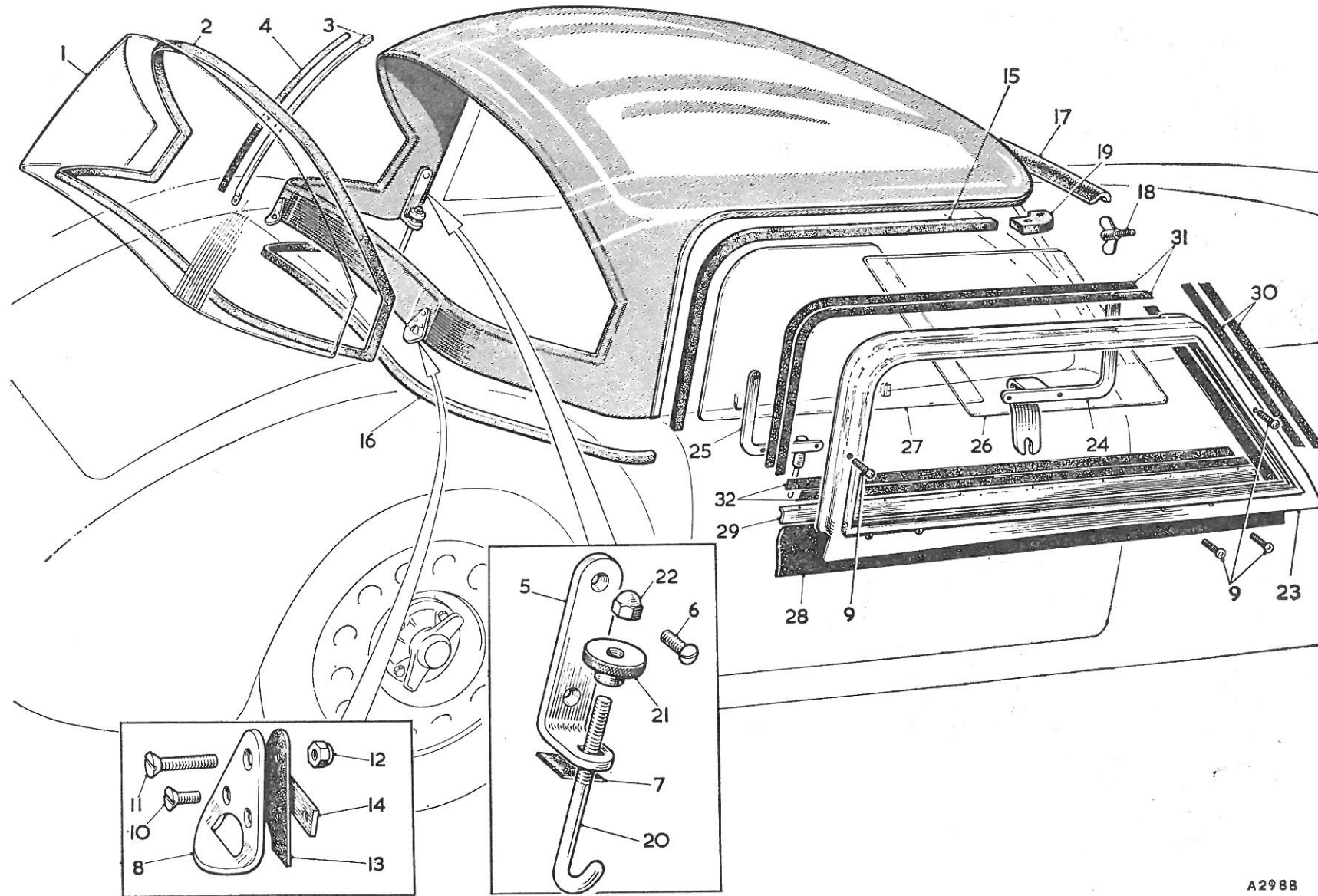
Item No.	DESCRIPTION	Commencing (C) 501		Qty. per Veh.	MODIFICATIONS		REMARKS
		Part No.	Illus. No.		New Part Number	Change Point	
	HOOD						
1	Hood assembly (Black)	AKE1760		1			
2	Hood assembly (Ice Blue)	AKE1761		1		Fin. (C) 2192	
3	Hood assembly (Grey)			1	AFH6636	Com. (C) 2193	
4	Hood assembly (Beige)			1	AFH6848	Com. (C) 2540	
5	Hood assembly (Blue)			1	AFH6796	Com. (C) 2193	
				1	AFH6849	Com. (C) 2540	
				1	AFH6797	Com. (C) 2193	
6	Frame assembly—hood	AFH2727	1	1	AFH6850	Com. (C) 2540	AFH6797 not available use AFH6850
7	Stick—hood	AFH1746	2	1	AFH6770	Com. (C) 2193	AFH2727 not available use AFH6847
8	Socket—stick	AFH2635	3	2	AFH6847	Com. (C) 2540	
9	Wing bolt—hood to screen	MB22438	4	2	AFH6771	Com. (C) 2193	
10	Canopy assembly—hood (Black)	AKE1762	5	1	AFH6846	Com. (C) 2540	
11	Canopy assembly—hood (Ice Blue)	AKE1763		1			
12	Canopy assembly—hood (Grey)			1	AFH6802	Com. (C) 2193	
13	Canopy assembly—hood (Beige)			1	AFH6851	Com. (C) 2540	AFH6802 not available use AFH6851
14	Canopy assembly—hood (Blue)			1	AFH6804	Com. (C) 2193	AFH6804 not available use AFH6852
15	Lift-the-dot fastener	2H5003	6	6	AFH6852	Com. (C) 2540	
16	Lift-the-dot clinch plate	2H5004	7	6	AFH6803	Com. (C) 2193	
17	Eyelet—turn-button fastener	14A6537	8	2	AFH6853	Com. (C) 2540	
18	Washer—turn-button fastener	14A6538	9	2			
19	Attachment plate—hood to body	AFH2659	10	1			Part No. change was 7H9961
20	Plate—hood retaining	AFH1741	11	2			Part No. change was 7H9963
21	Washer for plate (cup)	MB19956	12	2			Part No. change was 97H498
22	Screw fixing plate	PMZ0304	13	2			Part No. change was 97H497
23	Screw fixing plate	PMZ0306	14	2			
24	Peg—rear fixing	17H9510	15	6			
25	Nut for peg	AJD80122	16	6			
26	Washer for screw (spring)	LWZ203	17	6			
27	Turn-button—single	14A6536	18	2			Part No. change was 97H496
28	Screw fixing turn-button	RTD404	19	4			
29	Catch—hood centre (hood portion)			1	AFH6772	Com. (C) 2193	
30	Screw—fixing catch			2	PTP606		

Tourer

SERVICE PARTS LIST

THE MG Series MGA TWIN CAM

Item No.	DESCRIPTION	Commencing (C) 501		Qty. per Veh.	MODIFICATIONS		REMARKS
		Part Number	Illus. No.		New Part Number	Change Point	
	TONNEAU COVER (Optional Extra)						
1	Tonneau cover assembly (Black) RHD	8G9116	20	1] Fin. (C) 993	Part No. change was AKE1756 Part No. change was AKE 1757 Part No. change was AKE1758 Part No. change was AKE1759
2	Tonneau cover assembly (Ice Blue) RHD	8G9117		1			
3	Tonneau cover assembly (Black) LHD	8G9118		1			
4	Tonneau cover assembly (Ice Blue) LHD	8G9119		1] Com. (C) 994	Part No. change was AFH6572 Part No. change was AFH6574 Part No. change was AFH6571 Part No. change was AFH6573 Part No. change was AHH5975 Part No. change was AHH 5971 Part No. change was AHH5973 Part No. change was AHH5976 Part No. change was AHH5972 Part No. change was AHH5974
5	Zip fastener	AFH2687	21	1			
6	Tonneau cover assembly (Black) RHD			1	8G9120		
7	Tonneau cover assembly (Ice Blue) RHD			1	8G9121] Com. (C) 2193] Tourer
8	Tonneau cover assembly (Black) LHD			1	8G9122		
9	Tonneau cover assembly (Ice Blue) LHD			1	8G9123		
10	Tonneau cover assembly (Grey)			1	8G9124] Com. (C) 2193] Tourer
11	Tonneau cover assembly (Beige) RHD			1	8G9125		
12	Tonneau cover assembly (Blue)			1	8G9126		
13	Tonneau cover assembly (Grey)			1	8G9127] Com. (C) 994] Quantity reduced at (C) 994
14	Tonneau cover assembly (Beige) LHD			1	8G9128		
15	Tonneau cover assembly (Blue)			1	8G9129		
16	Zip fastener			1	AFH6608] Com. (C) 994] Quantity reduced at (C) 994
17	Lift-the-dot fastener	2H5003	22	20/12			
18	Lift-the-dot clinch plate	2H5004	23	20/12			
19	Eyelet—turn-button fastener	14A6537	24	2] Quantity reduced at (C) 994] Quantity reduced at (C) 994
20	Washer—turn-button fastener	14A6538	25	2			
21	Screw base—lift-the-dot.....	97H499		8/6			
22	Screw fixing base	RTP603		16/12] Quantity reduced at (C) 994] Quantity reduced at (C) 994
23	Stud—lift-the-dot	97H717		12/6			
24	Nut for stud	AJD8012Z		12/6			
25	Washer for nut	LWZ203		12/6] Fin. (C) 993	
26	Washer for nut	PWZ203		12/6			
27	Screw for stud	RMP0208		4			
28	Washer (plain)	PWZ202		4] Fin. (C) 993	
29	Washer (spring)	LWZ202		4			
30	Nut for screw	CNZ102		4			



A2988

SERVICE PARTS LIST

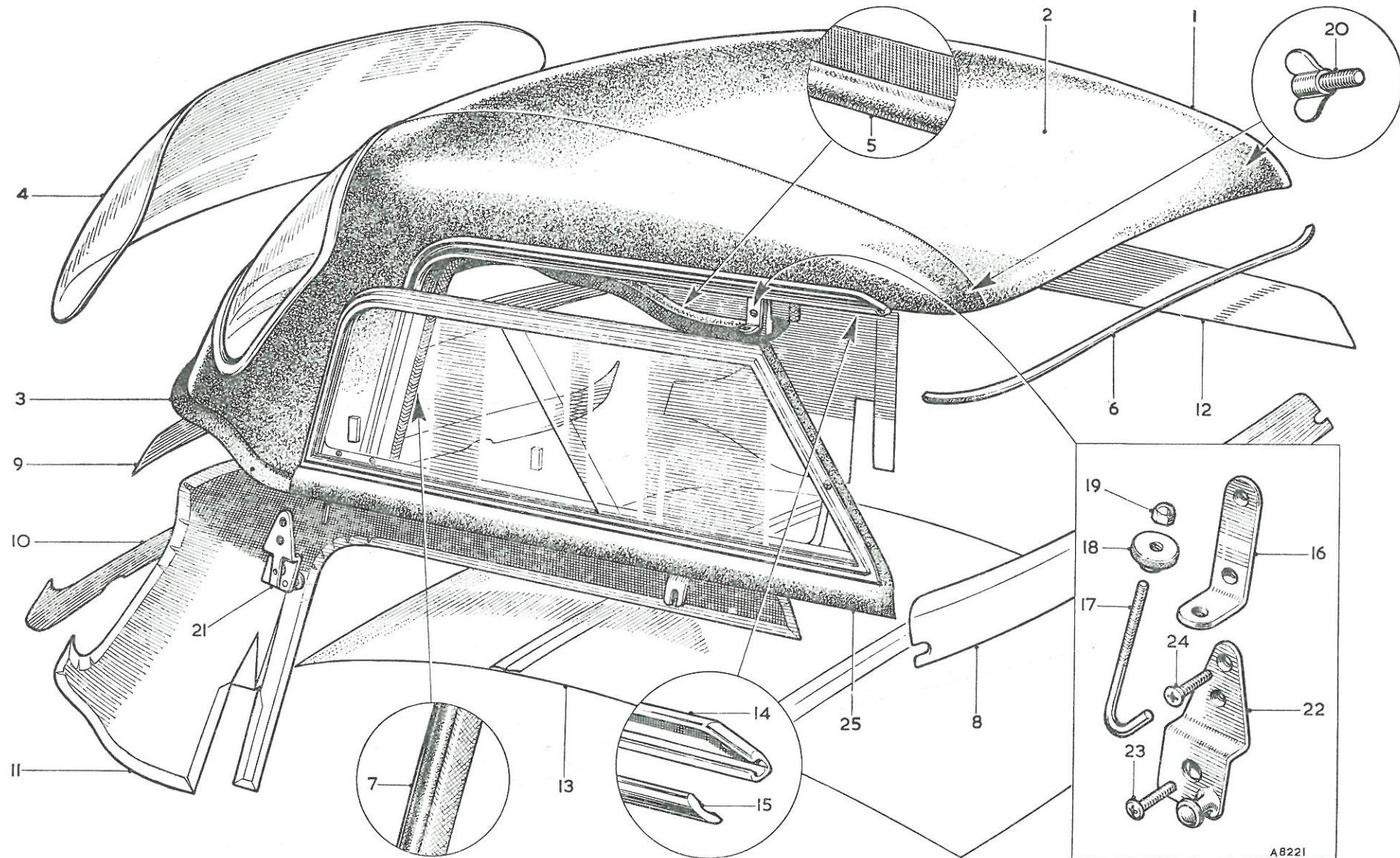
THE MG Series MGA TWIN CAM

Item No.	DESCRIPTION	Commencing (C) 501		MODIFICATIONS		REMARKS	
		Part Number	Illus. No.	Qty. per Veh.	Change Point		
1	HARD TOP (Optional Extra) Hard top assembly—aluminium	AHH5562		1		No longer available supply AHH5991 Prior to (C) 2193 supply also AHH5984 and AHH5985 sidescreens	
2	Window—rear	AHH5660	1	1			
3	Rubber—sealing for rear window	AHH5661	2	1			
4	Strut—rear window (inner)	AHH5662	3	2			
5	Rubber for inner strut	AHH5663	4	2			
6	Bracket—side (main)	AHH5664	5	2			
7	Screw—fixing main bracket to canopy	AJD2446C	6	4			
8	Rubber for side bracket	AHH5665	7	2			
9	Bracket—retaining—(rear)	AHH5666	8	2			
10	Screw—bracket to canopy	RMP0307	10	4			
11	Screw—rear bracket to inner strut	AJD2248C	11	2			
12	Cap nut bracket to inner strut screw	AJJ3125	12	2			
13	Grommet for retaining bracket	AHH5667	13	2			
14	Plate—backing—retaining bracket	AHH5674	14	2			
15	Rubber—sealing—(side)	AHH5668	15	2			
16	Rubber—sealing—(rear)	AHH5673	16	1			
17	Rubber—sealing—canopy	AHH5669	17	1			
18	Screw—thumb—canopy retaining	AHH5670	18	2			
19	Canopy rail end—R/H (rubber)	AHH5671	19	1			
20	Canopy rail end—L/H (rubber)	AHH5672		1			
21	Clip assembly—main retaining (side)	AHH5650	20	2			
22	Knob	AHH5652	21	1			
23	Cap—nut	AHH5653	22	1			
24	Bracket—attachment—R/H	AHH5599		1			
25	Bracket—attachment—L/H	AHH5600		1			
26	Screw—bracket to body	PMZ0416		2			
27	Screw—bracket to body	CMZ0416		4			
	SLIDING SIDE-SCREEN						
28	Side—screen assembly—sliding (R/H)	AHH5731		1			
29	Side—screen assembly—sliding (L/H)	AHH5732		1			
30	Frame (R/H)	AHH5733	23	1			
31	Frame (L/H)	AHH5734		1			
32	Bracket—front securing (R/H)	AHH5735	24	1			
33	Bracket front securing (L/H)	AHH5736		1			
34	Bracket—peg (R/H)	AHH5737	25	1			
35	Bracket—peg (L/H)	AHH5738		1			
36	Screw fixing bracket	PMP0310	9	12			
37	Screw—fixed	AHH5739	26	2			
38	Screen—sliding (R/H)	AHH5740	27	1			
39	Screen—sliding (L/H)	AHH5741		1			
40	Rubber—sealing (R/H)	AHH5808	28	1			
41	Rubber—sealing (L/H)	AHH5742		1			
42	Retainer—sealing rubber (R/H)	AHH5743	29	1			
43	Retainer—sealing rubber (L/H)	AHH5744		1			
44	Felt—glazing (front)	AHH5745	30	2			
45	Felt—glazing (upper)	AHH5746	31	2			
46	Felt—glazing (lower)	AHH5747	32	2			

Tourer

To be used only when folding hood is not fitted

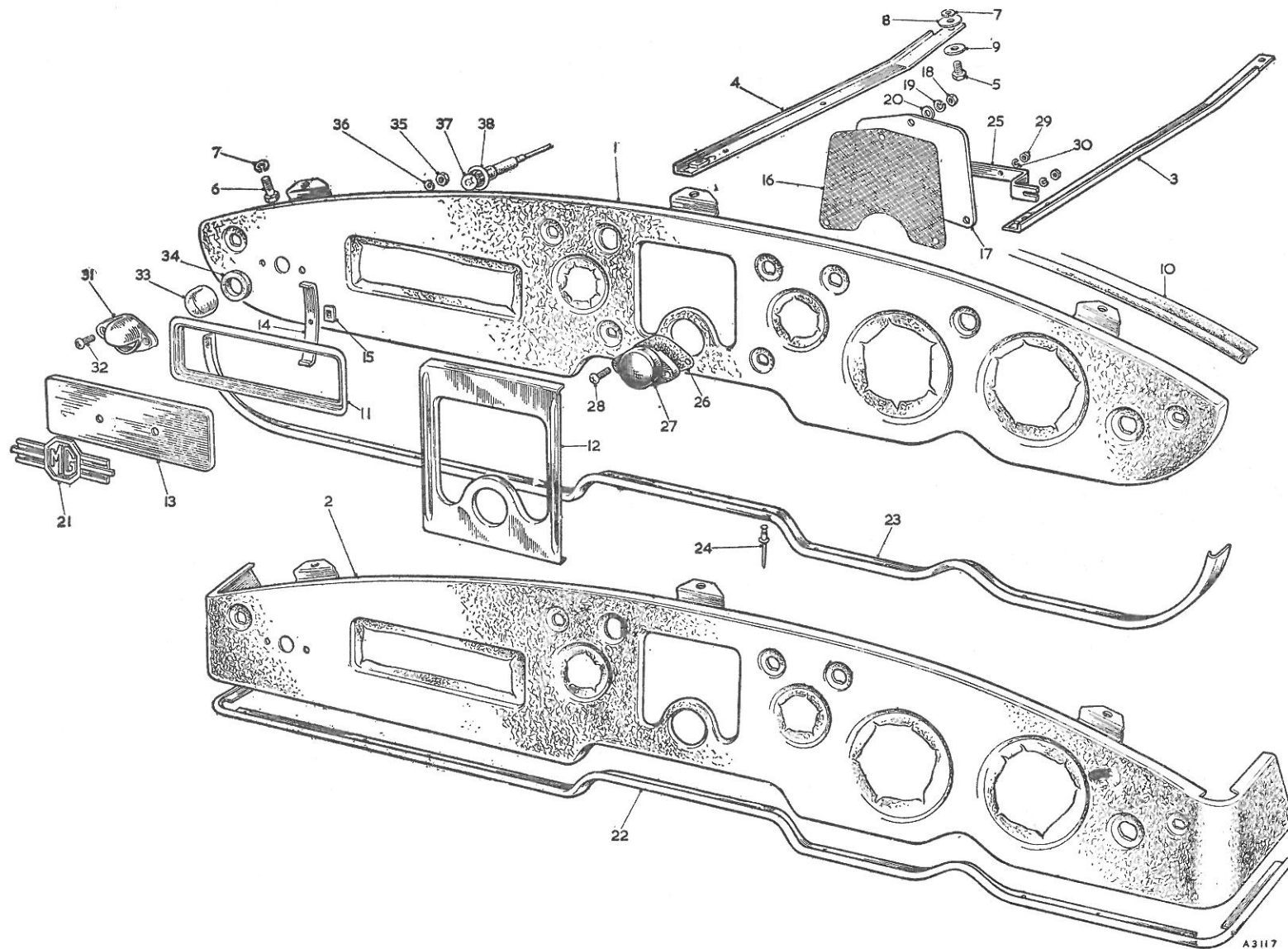
For use with Hard top assembly AHH5562 only



SERVICE PARTS LIST

THE MG Series MGA TWIN CAM

Item No.	DESCRIPTION	Commencing (C) 501		Qty. per Veh.	MODIFICATIONS		REMARKS	
		Part Number	Illus. No.		New Part Number	Change Point		
	HARD TOP (Optional Extra)							
1	Hard-top assembly—fibre glass		1	1	AHH5991	Com. (C) 2193		
2	Cover Black vynide		2	1	AKH492			
3	Rubber—sealing—body		3	A/R	AKH493			
4	Rear light—perspex		4	1	AKH494			
5	Furflex—Grey—rear light and bottom rear		5	A/R	AKH495			
6	Rubber—sealing—screen		6	A/R	AKH496			
7	Draught excluder—Grey—door		7	A/R	AKH497			
8	Panel—front		8	1	AKH498			
9	Panel—rear upper		9	1	AKH499			
10	Panel—rear lower		10	1	AKH500			
11	Panel—side—R/H		11	1	AKH501			
12	Panel—side—L/H	Tourer	12	1	AKH505			
13	Headlining—Grey—stitched		13	1	AKH502			
14	Rail—drip—R/H		14	1	AKH503			
15	Rail—drip—L/H			1	AKH506			
16	Plastic filler—Black		15	2	AKH504			
17	Bracket—side		16	2	AHH5664			
18	Clip assembly—side		17	2	AHH5650			
19	Knob—knurled		18	2	AHH5652			
20	Nut—cap		19	2	AHH5653			
21	Screw—front securing		20	2	AHH5670			
22	Bracket—attachment R/H		21	1	AHH5599] To be used only when folding hood is not fitted
23	Bracket—attachment L/H		22	1	AHH5600			
24	Screw—bracket to body		23	2	PMZ0416			
25	Screw—bracket to body		24	4	CMZ0416			
	SLIDING SIDE SCREEN							
26	Side-screen assembly—sliding (R/H)	Tourer	25	1	AHH5984] Com. (C) 2193] For use with hard top assembly AHH5591 only	
27	Side-screen assembly—sliding (L/H)			1	AHH5985			



A3117

SERVICE PARTS LIST

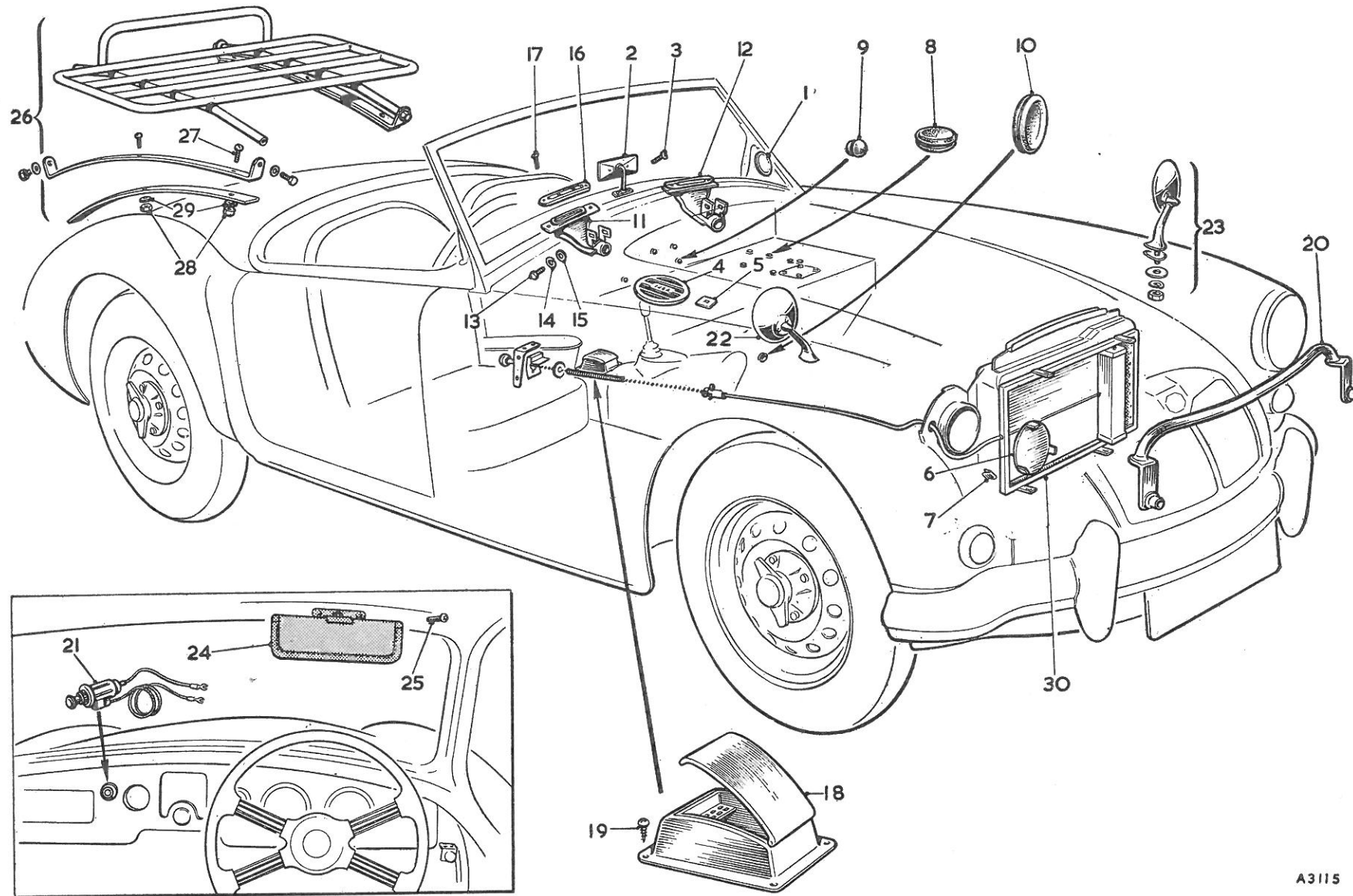
THE MG Series MGA TWIN CAM

Item No.	DESCRIPTION	Commencing (C) 501		Qty. per Veh.	MODIFICATIONS		REMARKS
		Part Number	Illus. No.		New Part Number	Change Point	
	FASCIA PANEL						
1	Panel assembly—fascia—Red	AFH5822	1	1] Tourer
2	Panel assembly—fascia—Green	AFH6838		1] Fin. (C) 2192	
3	Panel assembly—fascia—Grey	AFH6840		1			
4	Panel assembly—fascia—Black	AFH6844		1			
5	Panel assembly—fascia—Beige			1	AFH6842	Com. (C) 2193	
6	Panel assembly—fascia—Red	AFH5823		1			
7	Panel assembly—fascia—Green	AFH6839		1] Fin. (C) 2192	
8	Panel assembly—fascia—Grey	AFH6841		1			
9	Panel assembly—fascia—Black	AFH6845		1			
10	Panel assembly—fascia—Beige			1	AFH6843	Com. (C) 2193	
11	Panel assembly—fascia—Red	AFH4658	2	1] Coupe
12	Panel assembly—fascia—Green	AFH5620		1			
13	Panel assembly—fascia—Grey	AFH5622		1] Fin. (C) 2291	
14	Panel assembly—fascia—Blue	AFH5624		1			
15	Panel assembly—fascia—White	AFH5626		1			
16	Panel assembly—fascia—Black	AFH5628		1			
17	Panel assembly—fascia—Beige			1	AFH6756	Com. (C) 2292	
18	Panel assembly—fascia—Red	AFH4659		1			
19	Panel assembly—fascia—Green	AFH5621		1] Fin. (C) 2291	
20	Panel assembly—fascia—Grey	AFH5623		1			
21	Panel assembly—fascia—Blue	AFH5625		1			
22	Panel assembly—fascia—White	AFH5627		Z			
23	Panel assembly—fascia—Black	AFH5629		1			
24	Panel assembly—fascia—Beige			1	AFH6757	Com. (C) 2292	
25	Support angle assembly (R/H)	AFH1712	3	2			
26	Support angle assembly (L/H)	AFH1713	4	2			
27	Screw—support angle	PPZ0308	5	8			
28	Screw—support angle	AFH2587	6	3			
29	Washer for screw (spring)	LWZ203	7	11			
30	Washer for screw (plain)	PWZ204	8	3			
31	Washer for screw (plain)	PWZ203	9	8			
32	Piping—fascia panel—Red	AFH4841	10	A/R			
33	Piping—fascia panel—Green	AFH4842		A/R] Fin. Tourer (C) 2192 Coupe (C) 2291	
34	Piping—fascia panel—Grey	AFH4843		A/R			
35	Piping—fascia panel—White	AFH4844		A/R			
36	Piping—fascia panel—Black	AFH4845		A/R] Fin. (C) 2291	
37	Piping—fascia panel—Blue	AFH4846		A/R			
38	Piping—fascia panel—Blue			A/R	AFH6669] Com. Tourer (C) 2193 Coupe (C) 2292	
39	Piping—fascia panel—Beige			A/R	AFH6670		

SERVICE PARTS LIST

THE MG Series MGA TWIN CAM

Item No.	DESCRIPTION	Commencing (C) 501		Qty. per Veh.	MODIFICATIONS		REMARKS
		Part Number	Illus. No.		New Part Number	Change Point	
	Fascia panel—continued						
1	Bezel—radio aperture	AHH5255	11	1			
2	Bezel—radio speaker	AFH4520	12	1			
3	Plate—blinking—radio aperture	ARH59	13	1			
4	Clip—blinking plate to fascia panel	AHH5256	14	2			
5	Nut—clip (spire)	ADB509	15	2			
6	Grille—radio speaker	AHH5254	16	1			
7	Plate—blinking—radio speaker grille	AHH5376	17	1			
8	Nut—blinking plate to panel	FNZ103	18	3			
9	Washer for nut (spring)	LWZ203	19	3			
10	Washer for nut (plain)	PWZ103	20	3			
11	Motif—"M G"	AHH5258	21	1			
12	Finisher—fascia panel (lower) RHD	AFH4488	22	1] Coupe
13	Finisher—fascia panel (lower) LHD	AFH4489	22	1			
14	Finisher—fascia panel (lower) RHD	AFH5476	23	1] Tourer
15	Finisher—fascia panel (lower) LHD	AFH5477	23	1			
16	Rivet—finisher and radio bezel	AFH5453	24	16			
17	Bracket—horn—push	AHH5287	25	1			
18	Insulating piece—horn push	AHH5257	26	1			
19	Horn—push	2H3383	27	1			
20	Screw—push to bracket	PMZ0210	28	2			
21	Nut for screw	CNZ102	29	2			
22	Washer for screw (spring)	LWZ202	30	2			
23	Cover assembly—map light	37H5426	31	1			
24	Screw—map light cover to fascia panel	RMP0310	32	2			
25	Nut for screw	FNZ103	33	2			
26	Washer for screw (spring)	LWZ203	34	2			
27	Glass—map light	17H5301	35	1			
28	Rubber—map light glass	17H5302	36	1			
29	Bulb—map light	2H4932	37	1			
30	Bulbholder	37H5181	38	1			
31	Sleeve (rubber)	3H999		1			



A3115

SERVICE PARTS LIST

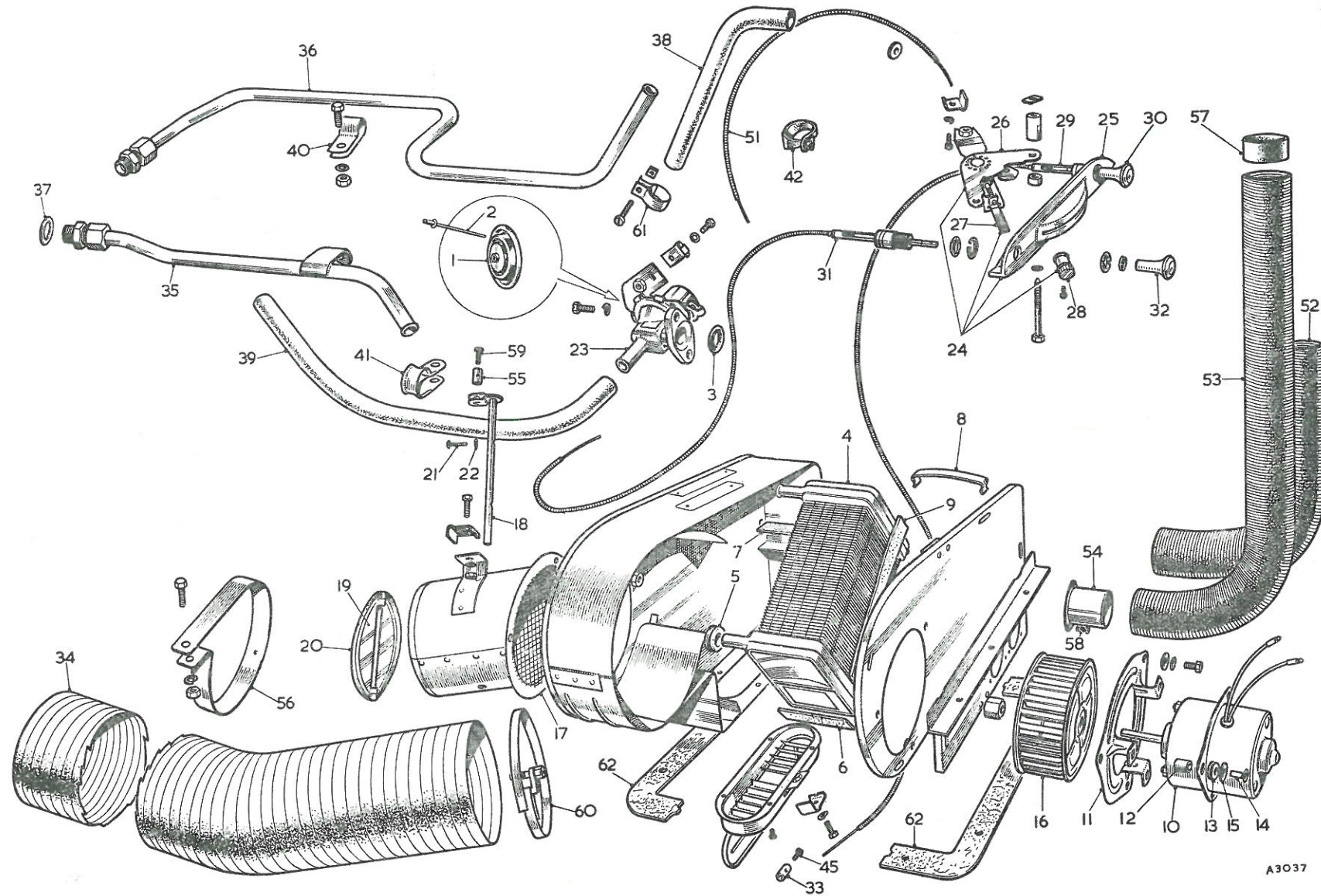
THE MG Series MGA TWIN CAM

Item No.	DESCRIPTION	Commencing (C) 501		Qty. per Veh.	MODIFICATIONS		REMARKS
		Part Number	Illus. No.		New Part Number	Change Point	
1	Licence holder Tourer	180260	1	1	14A3823		180260 not available use 14A3823
2	Licence holder Coupe	14A3823		1			correction was 14A3283
3	Mirror—rear view	AHH5198	2	1			
4	Screw—mirror to body	RMP0310	3	2			
5	Ventilator grille—air duct ("M.G.A.")	AHH5294	4	2			
6	Clip—fixing grille (spire)	PFS104	5	8			
7	Disc—blanking air tube	AHH5396	6	1			Not required when heater fitted
8	Clip fixing blanking disc	ADH3809	7	3			
9	Grommet—master cylinder box holes—bulkhead	RFR208	8	8			
10	Grommet (1/4")	RFN204	9	6			Cars less radio
11	Grommet—blanking dipper switch hole RHD	4G2541	10	1			
12	Grommet—blanking dipper switch hole LHD	2H8041		1		Fin. (C) 2280	
13	Grommet—blanking dipper switch hole LHD			1	4G2541	Com. (C) 2281	
14	Nozzle—demister (R/H)	AFH1748	11	1			
15	Nozzle—demister (L/H)	AFH1749	12	1			
16	Screw—fixing nozzle	AFH2587	13	4			
17	Washer for screw (spring)	LWZ203	14	4			
18	Washer for screw (plain)	PWZ203	15	4			
19	Finisher—demister nozzle	182143	16	2			
20	Screw for finisher	RTP804	17	4			
21	Ash tray (chrome and black enamel)	AHH5539	18	1			
22	Screw—fixing ash tray	PTP604	19	4			
23	Bar assembly—badge	AHH5565	20	1			
24	Lighter—cigar	AHH5759	21	1			
25	Mirror assembly—wing (R/H)	AHH5526	22	1			
26	Mirror assembly—wing (L/H)	AHH5527	23	1			
27	Mirror head	57H5435		1			
28	Bracket assembly (R/H)	57H5443		1			
29	Bracket assembly (L/H)	57H5436		1			
30	Nut—mirror fixing	57H5437		1			
31	Washer—shakeproof	57H5438		1			
32	Washer—plain	57H5439		1			
33	Pad—rubber base	57H5440		1			
34	Mirror assembly—wing	BHA4066		2			
35	Mirror head assembly—chrome	14A8196		2			
36	Dome nut—chrome	14A8226		2			
37	Stem assembly—chrome	37H9915		2			
38	Washer—rubber	14A8225		2			
39	Washer—steel	PWZ205		2			
40	Bolt	HZS0506		2			

SERVICE PARTS LIST

THE MG Series MGA TWIN CAM

Item No.	DESCRIPTION	Commencing (C) 501		Qty. per Veh.	MODIFICATIONS		REMARKS
		Part Number	Illus. No.		New Part Number	Change Point	
1	Sundries—continued Visor—sun	AHH5710	24	2	AHE5000	Com. (C) 2061	AHH5710 not available use AHE5000 Optional extra
2	Screw—fixing sun visor	RTP806	25	4			
3	Carrier—luggage—with fittings	AHH5495	26	1			
4	Screw—luggage carrier to boot lit	RMP0514	27	6			
5	Nut for screw	LNZ205	28	6			
6	Washer for screw (plain)	PWZ105	29	6			
7	Blind assembly—radiator	AHH5900	30	1			
8	Roller and blind	97H2473		1			
9	Ball chain with knob	97H2475		1			
10	Cable—blind to chain	97H2474		1			
11	Pad—sound deadener—bulkhead (foam rubber) RHD	AHH5596		1			
12	Pad—sound deadener—bulkhead (foam rubber) LHD	AHH5597		1			
13	Pad—heater cover plate (foam rubber)	AHH5598		1			
14	Motif—twin cam—bonnet surround	AHH5729		2			
15	Clip fixing motif (spire)	PFS104		4			



SERVICE PARTS LIST

THE MG Series MGA TWIN CAM

Item No.	DESCRIPTION	Commencing (C) 501		Qty. per Veh.	MODIFICATIONS		REMARKS
		Part Number	Illus. No.		New Part Number	Change Point	
	HEATING AND VENTILATING EQUIPMENT						
1	Heater kit assembly	8G9037		1			
2	Unit assembly—heater	AHH5760		1			
3	Diaphragm	27H613	1	1			
4	Rivet	17H1793	2	1			
5	Seal—ring	27H1248	3	1			
6	Radiator	17H1794	4	1			Part No. change was 27H614
7	Grommet	7H1993	5	1			
8	Seal (felt)	17H1795	6	2			
9	Pad—seal	17H1796	7	2			
10	Clip (spring)	17H1595	8	2			
11	Pad—seal	17H1797	9	2			
12	Motor	17H1798	10	1			
13	Plate—motor mounting	17H1799	11	1			
14	Distance piece	17H1289	12	3			
15	Grommet	24K2085	13	3			
16	Rivet	17H1800	14	3			Correction was 17H1292
17	Washer (plain)	17H1613	15	3			
18	Runner assembly	17H1801	16	1			
19	Gauze	17H1597	17	1			
20	Arm and spindle assembly	17H1802	18	1			
21	Flap—valve	17H1606	19	1			
22	Seal	17H1607	20	1			
23	Screw	17H1618	21	2			
24	Screw	17H1608	22	2			
25	Valve—water	27H1660	23	1			
26	Control assembly—lever (less cable)	AHH5531	24	1			
27	Escutcheon—heater control unit	17H518	25	1			
28	Lever control sub assembly	7H1985	26	1			
29	Lever and switch assembly	7H1986	27	1			
30	Knob	17H490	28	1			
31	Control—push-pull—demist (short)	AHH5787	29	1			
32	Knob	17H1683	30	1			
33	Control—push-pull—air (long)	AHH5786	31	1			
34	Knob	17H1683	32	1			
35	Trunnion—heater door	14A5753	33	1			
36	Hose—air (36")	AHH5785	34	1			
37	Pipe and union assembly—inlet (water)	AHH5843	35	1			
38	Pipe and union assembly—outlet (water)	AHH5844	36	1			
39	Washer—union (aluminium)	BHA4088	37	2			
40	Hose—water (1/2" x 12 1/2")	AHH5437	38	1			
41	Hose—water (3/8" x 25")	BHA4089	39	1			
42	Cleat—copper water pipes	BHA4090	40	2			
43	Cleat—water hose retaining	BHA4091	41	1			

SERVICE PARTS LIST

THE MG Series MGA TWIN CAM

Item No.	DESCRIPTION	Commencing (C) 501		Qty. per Veh.	MODIFICATIONS		REMARKS
		Part Number	Illus. No.		New Part Number	Change Point	
	Heating and Ventilating Equipment—continued						
1	Clip—cable	AHH5440	42	1			
2	Screw	HZS0405	43	2			
3	Screw	PMZ0316	44	1			
4	Screw	PMZ0308	45	2			
5	Nut	FNZ104	46	2			
6	Nut	FNZ103	47	3			
7	Washer (shakeproof)	17H1638	48	2			
8	Washer (spring)	LWZ204	49	2			
9	Washer (spring)	LWZ203	60	1			
10	Cable (3/4")	AHH5529	51	1			
11	Hose—air (14")	AHH5427	52	1			
12	Hose—air (25")	AHH5428	53	1			
13	Tube—demist	1AA5754	54	2			Part No. change was AHH5426
14	Trunnion	14G6451	55	3			
15	Clamp—hose	AHH5714	56	3			
16	Adaptor—demister	AHH5429	57	2			
17	Screw No. 4 x 1/4"	AHH5591	58	6			
18	Screw No. 6 x 3/8"	AHH5593	59	4			
19	Clip	14G800	60	2			
20	Clip—hose	301140	61	4			
21	Gasket—bulkhead blanking plate	AHH5253	62	2			
	FRESH AIR VENTILATION EQUIPMENT						
22	Fresh air kit assembly	8C9038		1			
23	Unit assembly—fresh air	AHH5797		1			
24	Control—push-pull—(Air)	AHH5786		1			
25	Knob	17H1683		1			
26	Switch	AHH5910		1			Correction was 17H1941
27	Hose—air (36")	AHH5785		1			
28	Hose—air (intake)	AHH5394		1			
29	Trunnion	14G6451		1			
30	Bracket—push-pull control	AHH5911		1			Correction was 17H1938
31	Bracket—blower switch	AHH5912		1			Correction was 17H1939
32	Clip	AHH5714		3			
33	Screw No. 6 x 5/16" (raised head)	17H1940		4			
34	Screw No. 6 x 5/16" (recessed head)	53K155		1			
35	Screw No. 10 x 1"	PMZ0316		3			
36	Nut for screw	FNZ103		3			
37	Washer for nut (spring)	LWZ203		3			
38	Clip	14G800		2			
39	Wire assembly—blower switch to harness	17H1984		1			
40	Wire assembly—blower switch to harness	17H1983		1			
41	Gasket—bulkhead blanking plate	AHH5253		2			