

A 2914

SERVICE PARTS LIST

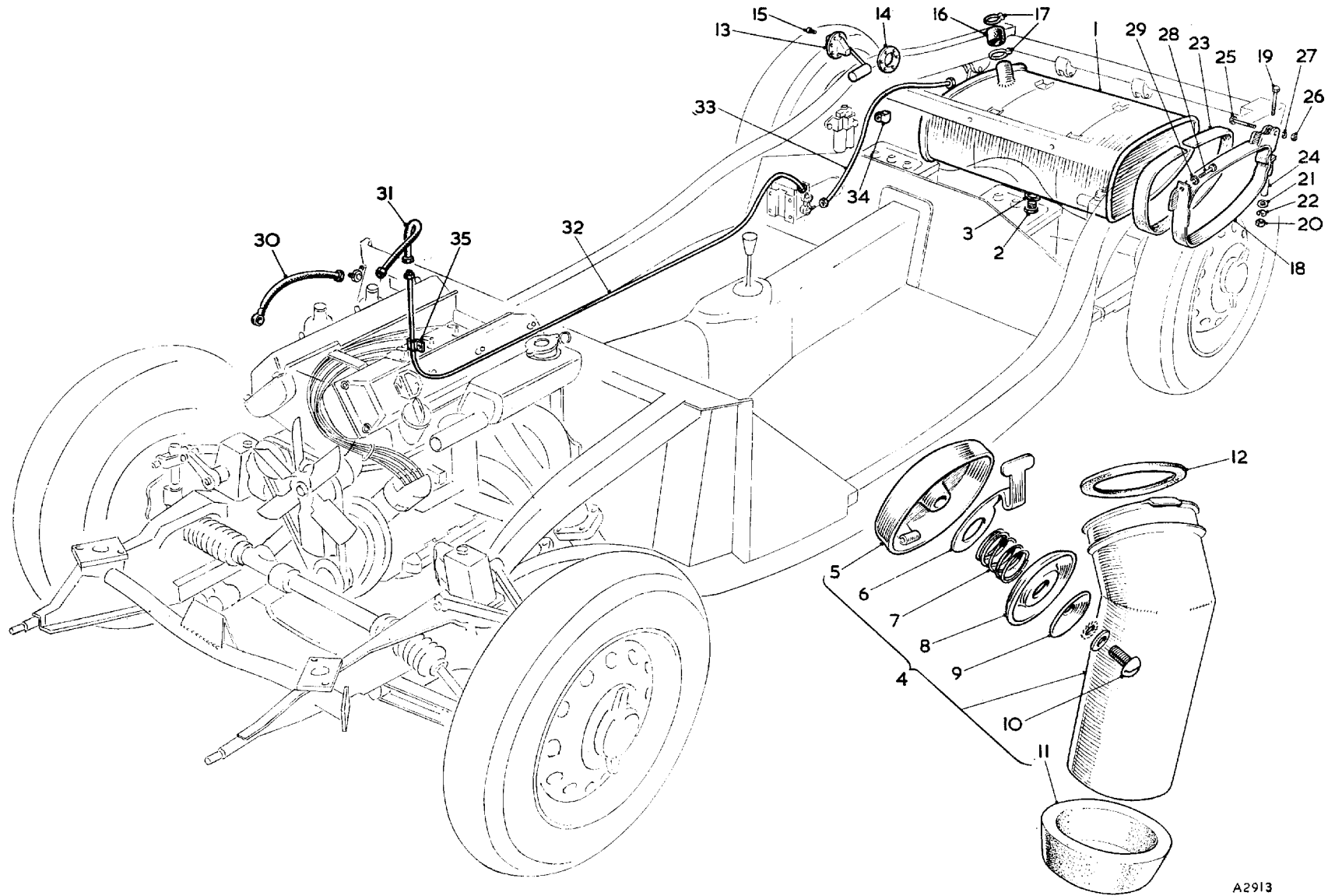
THE M.G. Series MGA TWIN CAM

Item No.	DESCRIPTION	Commencing (E) 101		Qty. per Vehicle		Unit of Issue	Type of Vehicle	MODIFICATIONS			REMARKS
		Part Number	Illus. No.	RHD	LHD			New Part Number	Change Point	Amdt. No.	
	FUEL SYSTEM										
	FUEL PUMP										
1	Pump assembly	AUA73		1	1						
2	Body	AUA4644	D1	1	1						
3	Union—inlet and outlet	AUC1833	D2	2	2						
4	Washer—union to body	AUC2141	D3	4	4						
5	Bolt—union	AUC2698	D51	2	2						
6	Cage—valve	AUA4607	D4	1	1						
7	Disc—valve	AUA4611	D5	2	2						
8	Clip for valve cage	AUA4609	D6	1	1						
9	Filter	AUA4647	D7	1	1						
10	Lid (top and bottom)	AUA4645	D8	2	2						
11	Washer for lid	AUA4646	D9	2	2						
12	Screw for lid	AUA4083	D10	12	12						
13	Washer for screw	AUA4643	D11	12	12						
14	Diaphragm assembly	AUA6013	D12	1	1						
15	Roller	AUA1433	D13	11	11						
16	Spring	AUA1785	D14	1	1						
17	Coil housing	AUA6003	D15	1	1						
18	Tag—5 B.A. terminal	AUA1455	D16	1	1						
19	Tag—2 B.A. terminal	AUA1456	D17	1	1						
20	Screw—earth	AUA4850	D18	1	1						
21	Washer for earth screw (spring)	AUA1863	D19	1	1						
22	Screw—housing to body	AUA1453	D20	6	6						
23	Rocker and blade	AUA6021	D21	1	1						
24	Blade	AUA6036	D22	1	1						
25	Tag—2 B.A. terminal	AUA1456	D23	1	1						
26	Screw for blade	AUA565	D24	1	1						
27	Washer for screw (spring)	AUA566	D25	1	1						
28	Spindle for contact breaker	AUA1435	D26	1	1						
29	Pedestal	AUA6034	D27	1	1						
30	Screw—pedestal to housing	AUA1459	D28	2	2						
31	Washer for screw (spring)	AUA1863	D29	2	2						
32	Screw for terminal	AUA1468	D30	1	1						
33	Washer for screw (spring)	AUA1863	D31	1	1						
34	Washer for screw (lead)	AUA1662	D32	1	1						
35	Nut for screw	AUA1661	D33	1	1						
36	Cover—end	AUA1466	D34	1	1						
37	Nut for cover	AUA878	D35	1	1						
38	Knob—terminal	AUA869	D36	1	1						

SERVICE PARTS LIST

THE M.G. Series MGA TWIN CAM

Item No.	DESCRIPTION	Commencing (E) 101		Qty. per Vehicle		Unit of Issue	Type of Vehicle	MODIFICATIONS			REMARKS
		Part Number	Illus. No.	RHD	LHD			New Part Number	Change Point	Amdt. No.	
	Fuel Pump—continued										
1	Mounting plate—fuel pump	AHH5804	D37	1	1						
2	Rubber—bracket	53626	D38	4	4						
3	Retainer—rubber mounting	53627	D39	2	2						
4	Bolt—pump mounting	HBZ0409	D40	4	4						
5	Nut for bolt	FNZ104	D41	4	4						
6	Locknut for bolt	FNZ204	D42	4	4						
7	Stud—pump to bracket	AHH5805	D43	2	2						
8	Nut for stud	FNZ105	D44	2	2						
9	Washer for nut (spring)	LWZ205	D45	2	2	24					
10	Screw—earth to pump frame bracket	HZS0404	D46	1	1						
11	Washer for screw (plain)	PWZ104	D47	1	1	12					
12	Washer for screw (spring)	LWZ204	D48	1	1	12					
13	Nut for screw	FNZ104	D49	1	1						
14	Cover for fuel pump (rubber)	ACG5147	D50	1	1						

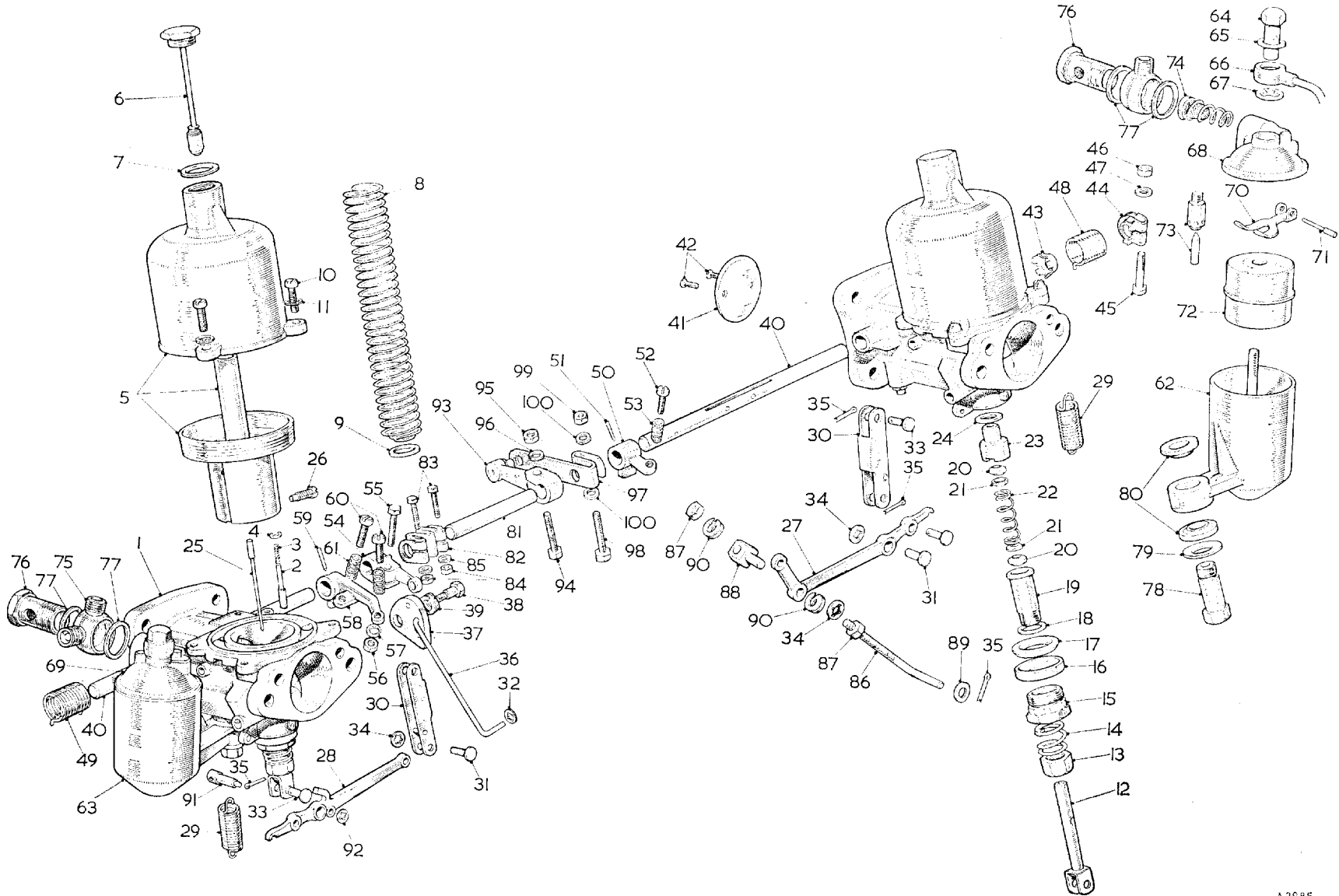


A2913

SERVICE PARTS LIST

THE M.G. Series MGA TWIN CAM

Item No.	DESCRIPTION	Commencing (C) 501		Qty. per Vehicle		Unit of Issue	Type of Vehicle	MODIFICATIONS			REMARKS
		Part Number	Illus. No.	RHD	LHD			New Part Number	Change Point	Amdt. No.	
	FUEL TANK										
1	Tank—fuel	AHH5121	DA1	1	1						
2	Plug	AHH5605	DA2	1	1						
3	Joint for plug	AHH5606	DA3	1	1						
4	Extension—filler	AHH5104	DA4	1	1						
5	Cap—filler	ACH5781	DA5	1	1						
6	Lever—filler cap	97H474	DA6	1	1						
7	Spring—release	97H2048	DA7	1	1						
8	Plate—sealing	97H2049	DA8	1	1						
9	Washer (dished)	97H2050	DA9	1	1						
10	Screw—cap to filler	97H2056	DA10	1	1						
11	Ring—sealing	ACH5850	DA11	1	1						
12	Ferrule—filler extension (rubber)	ACH5780	DA12	1	1						
13	Unit attachment—tank	AHH5114	DA13	1	1						
14	Gasket—tank attachment (cork)	ACB5468	DA14	1	1						
15	Screw—tank unit to tank	ACA5127	DA15	6	6						
16	Hose—filler connection	AHH5286	DA16	1	1						
17	Clip—hose	95482	DA17	2	2						
18	Strap and mounting assembly	AHH5107	DA18	2	2						
19	Bolt	HBZ0422	DA19	2	2						
20	Nut	LNZ104	DA20	2	2						
21	Washer (plain)	PWZ104	DA21	2	2	12					
22	Washer (spring)	LWZ204	DA22	2	2	12					
23	Strap—packing—tank mounting (100")	AHH5115	DA23	2	2						
24	Distance piece—rear mounting	AHH5113	DA24	2	2						
25	Bolt—rear mounting	HBZ0416	DA25	2	2						
26	Nut for bolt	FNZ104	DA26	2	2						
27	Washer for nut (spring)	LWZ204	DA27	2	2	12					
28	Screw—front mounting	HZS0505	DA28	2	2						
29	Washer for screw (spring)	LWZ205	DA29	2	2	24					
	FUEL PIPES										
30	Pipe—between carburettors (flexible)	ACH8977	DA30	1	1						
31	Pipe—main pipe to carburetter (flexible)	AHH5544	DA31	1	1						
32	Pipe assembly—fuel pump to carburettors	AHH5812	DA32	1	1						
33	Pipe assembly—tank to fuel pump	AHH5291	DA33	1	1						
34	Clip—pipe to rear shock absorber bolt	54516	DA34	1	1						
35	Clip—pipe to steering draught excluder bolt	PCR0511	DA35	1	1						



A2985

SERVICE PARTS LIST

THE M.G. Series MGA TWIN CAM

Item No.	DESCRIPTION	Commencing (E) 101		Qty. per Vehicle		Unit of Issue	Type of Vehicle	MODIFICATIONS			REMARKS
		Part Number	Illus. No.	RHD	LHD			New Part Number	Change Point	Amdt. No.	
	CARBURETTER										
1	Carburetter assembly (front)	AUC9054		1	1						
2	Carburetter assembly (rear)	AUC9055		1	1						
3	Body—front carburetter	AUC6056		1	1						
4	Body—rear carburetter	AUC6059	DB1	1	1						
5	Pin—piston lift	AUC1249	DB2	2	2						
6	Spring for pin	AUC1151	DB3	2	2						
7	Circlip for pin	AUC1250	DB4	2	2						
8	Chamber and piston assembly—suction	AUC8056	DB5	2	2						
9	Cap assembly	AUC8114	DB6	2	2						Correction. Was AUC8027
10	Washer for cap (fibre)	AUC4900	DB7	2	2						Correction. Was AUC8103
11	Spring for piston (red)	AUC4387	DB8	2	2						
12	Washer for piston (spring)	AUC3071	DB9	2	2						
13	Screw—chamber to body	AUC2175	DB10	6	6						
14	Washer for screw	AUC4643	DB11	6	6						
15	Jet assembly	AUC8183	DB12	2	2						
16	Nut—adjusting	AUC2121	DB13	2	2						
17	Spring for adjusting nut	AUC2114	DB14	2	2						
18	Nut—gland sealing	AUC3232	DB15	2	2						
19	Ring—sealing (brass)	AUC2117	DB16	2	2						
20	Ring—sealing (neoprene)	AUC3119	DB17	2	2						
21	Washer—bottom half bearing (copper)	AUC3233	DB18	2	2						
22	Bearing (bottom half)	AUC3231	DB19	2	2						
23	Washer—gland (cork)	AUC2120	DB20	4	4						
24	Washer—gland (brass)	AUC2119	DB21	4	4						
25	Spring—gland	AUC1158	DB22	2	2						
26	Bearing (top half)	AUC3230	DB23	2	2						
27	Washer for top half bearing (copper)	AUC2122	DB24	2	2						
28	Needle—jet	AJH5292	DB25	2	2						For sizes see Workshop Manual
29	Screw for needle	AUC2468	DB26	2	2						
30	Lever—front carburetter	AUC5092	DB27	1	1						
31	Lever—rear carburetter	AUC5091	DB28	1	1						
32	Spring—lever return	AUC4667	DB29	2	2						
33	Link—jet	AUC4819	DB30	2	2						
34	Pin—pivot lever to link	AUC5009	DB31	2	2						
35	Washer for pin (starlock)	AUC5002	DB32	2	2						
36	Pin—pivot (short)	AUC2381	DB33	4	4						
37	Washer (starlock)	AUC5004	DB34	3	3						
38	Pin—split	AUC2109	DB35	5	5						
39	Rod—link	AUC5055	DB36	1	1						

SERVICE PARTS LIST

THE M.G. Series MGA TWIN CAM

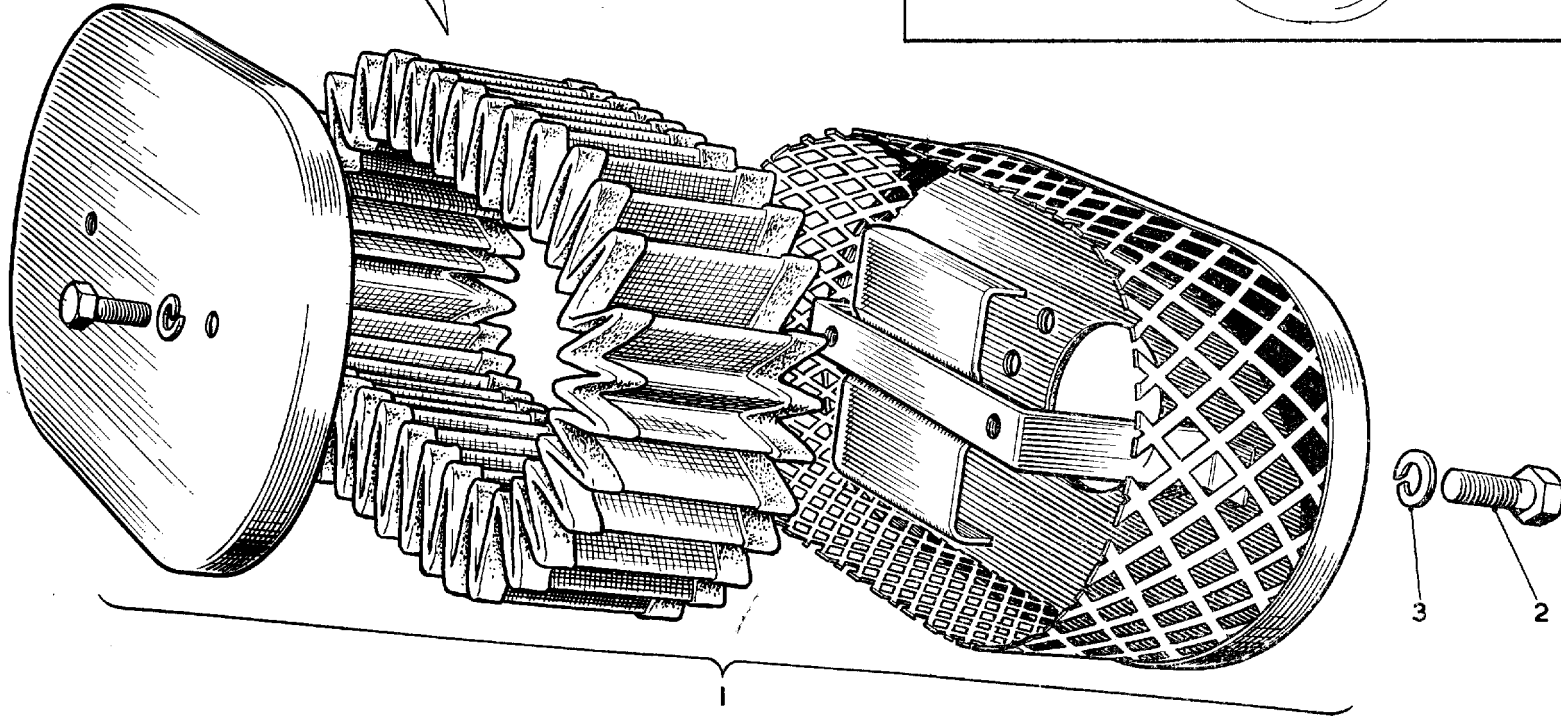
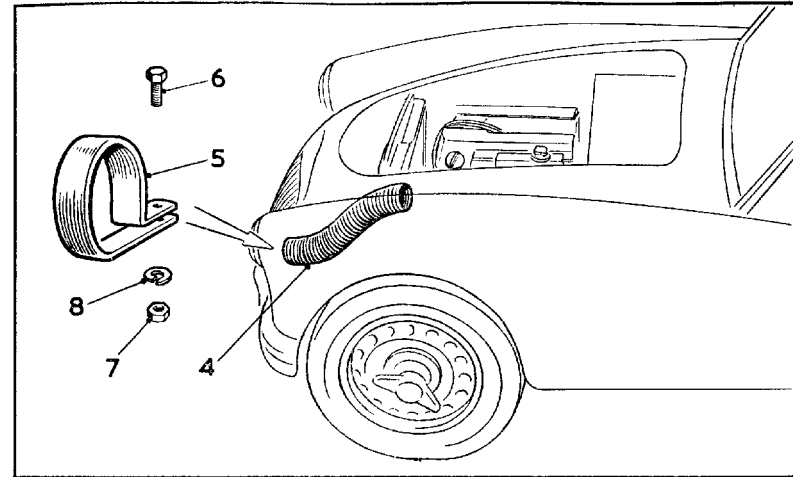
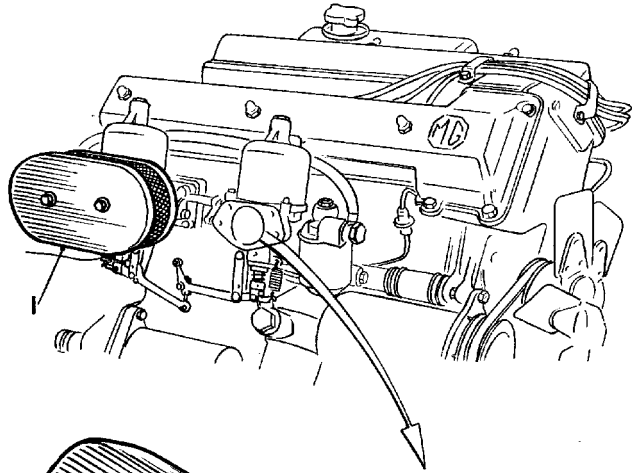
Item No.	DESCRIPTION	Commencing (E) 101		Qty. per Vehicle		Unit of Issue	Type of Vehicle	MODIFICATIONS			REMARKS
		Part Number	Illus. No.	RHD	LHD			New Part Number	Change Point	Amdt. No.	
	Carburettor—continued										
1	Cam	AUC4730	DB37	1	1						
2	Bolt—pivot	AUC3471	DB38	1	1						
3	Washer for bolt (spring)	AUC3472	DB39	1	1						
4	Spindle—throttle	AUC4765	DB40	2	2						
5	Disc	AUC3280	DB41	2	2						
6	Screw for disc	AUC1858	DB42	4	4						
7	Plate—anchor	AUC4770	DB43	2	2						
8	Clip—retainer	AUC4771	DB44	2	2						
9	Bolt (4 B.A.)	AUC2669	DB45	2	2						
10	Nut for bolt	AUC2673	DB46	2	2						
11	Washer (plain)	AUC4612	DB47	2	2						Correction. Was AUC2156
12	Spring—throttle return (front)	AUC4782	DB48	1	1						
13	Spring—throttle return (rear)	AUC4781	DB49	1	1						
14	Stop—throttle (front)	AUC2198	DB50	1	1						
15	Pin—taper	AUC2106	DB51	1	1						
16	Screw—stop adjusting	AUC3464	DB52	1	1						
17	Spring for screw	AUC3465	DB53	1	1						
18	Lever—throttle (rear)	AUC1501	DB54	1	1						
19	Bolt	AUC2694	DB55	1	1						
20	Nut	AUC2156	DB56	1	1						
21	Washer (spring)	AUC2246	DB57	1	1						
22	Stop—throttle (rear)	AUC4713	DB58	1	1						
23	Pin—taper	AUC2106	DB59	1	1						
24	Screw—stop adjusting	AUC3464	DB60	2	2						
25	Spring for screw	AUC3465	DB61	2	2						
26	Chamber—front float	AUC3495	DB62	1	1						
27	Chamber—rear float	AUC3496	DB63	1	1						
28	Nut for lid (cap)	AUC1867	DB64	2	2						
29	Washer for nut (aluminium)	AUC1557	DB65	2	2						
30	Pipe assembly—drain	AUC3202	DB66	2	2						
31	Washer for nut (serrated fibre)	AUC1928	DB67	2	2						Correction. Was AUC3203
32	Lid—float-chamber (front)	AUC4260	DB68	1	1						
33	Lid—float-chamber (rear)	AUC4261	DB69	1	1						
34	Lever—float hinged	AUC1980	DB70	2	2						
35	Pin for lever	AUC1152	DB71	2	2						
36	Float	AUC1123	DB72	2	2						
37	Needle and seat assembly	AUC8170	DB73	2	2						
38	Filter	AUC2139	DB74	2	2						Correction. Was AUC1936
39	Banjo—rear double	AUC1832	DB75	1	1						
40	Bolt—banjo	AUC2698	DB76	2	2						
41	Washer for bolt (fibre)	AUC2141	DB77	4	4						

SERVICE PARTS LIST

THE M.G. Series MGA TWIN CAM

Item No.	DESCRIPTION	Commencing (E) 101		Qty. per Vehicle		Unit of Issue	Type of Vehicle	MODIFICATIONS			REMARKS
		Part Number	Illus. No.	RHD	LHD			New Part Number	Change Point	Amdt. No.	
	Carburetter—continued										
1	Bolt—holding-up	AUC1135	DB78	2	2						
2	Washer for bolt	AUC1137	DB79	2	2						
3	Grommet (rubber)	AUC1334	DB80	4	4						
4	Rod—connecting	AUC2413	DB81	1	1						
5	Coupling—throttle	AUC4334	DB82	1	1						
6	Bolt for coupling (4 B.A.)	AUC2669	DB83	2	2						
7	Nut for bolt (4 B.A.)	AUC2673	DB84	2	2						
8	Washer (plain)	AUC4612	DB85	2	2						
9	Rod—connecting link	AUC4915	DB86	1	1						
10	Nut for connecting link rod	AUC2156	DB87	2	2						
11	Trunnion for front lever	AUC4916	DB88	1	1						
12	Washer for trunnion (brass)	AUC1006	DB89	1	1						
13	Washer for connecting link rod (spring)	AUC1863	DB90	1	1						
14	Pin—swivel—rear lever to link rod	AUC5011	DB91	1	1						
15	Washer for pin (starlock)	AUC5002	DB92	1	1						
16	Lever—drive (brass)	AUC8207	DB93	1	1						
17	Bolt for lever (2 B.A.)	AUC2694	DB94	1	1						
18	Nut for bolt	AUC2156	DB95	1	1						
19	Washer (spring)	AUC2246	DB96	1	1						
20	Lever (pressed-steel)	AUC8399	DB97	1	1						
21	Bolt for lever (2 B.A.)	AUC8400	DB98	1	1						
22	Nut for bolt	AUC2156	DB99	1	1						
23	Washer (plain)	AUC8396	DB100	1	1						

Correction. Was AUC1134



A2934

SERVICE PARTS LIST

THE M.G. Series MGA TWIN CAM

Item No.	DESCRIPTION	Commencing (C) 501		Qty. per Vehicle		Unit of Issue	Type of Vehicle	MODIFICATIONS			REMARKS	
		Part Number	Illus. No.	RHD	LHD			New Part Number	Change Point	Amdt. No.		
	AIR CLEANER											
1	Cleaner—air	AHH5831	DC1	2	2			AHH5960] Com. (C) 2468		Always supply AHH5960 prior to (C) 2468	
2	Screw fixing cleaner	HZS0506	DC2	4	4			HZS0507				
3	Washer for screw (spring)	LWZ205	DC3	4	4	24						
	AIR INTAKE HOSE											
4	Hose—air intake	AHH5394	DC4	1	1							
5	Clip for hose	AHH5714	DC5	1	1							
6	Screw fixing clip	PMZ0316	DC6	1	1							
7	Nut for screw	FNZ103	DC7	1	1							
8	Washer for nut (spring)	LWZ203	DC8	1	1							

