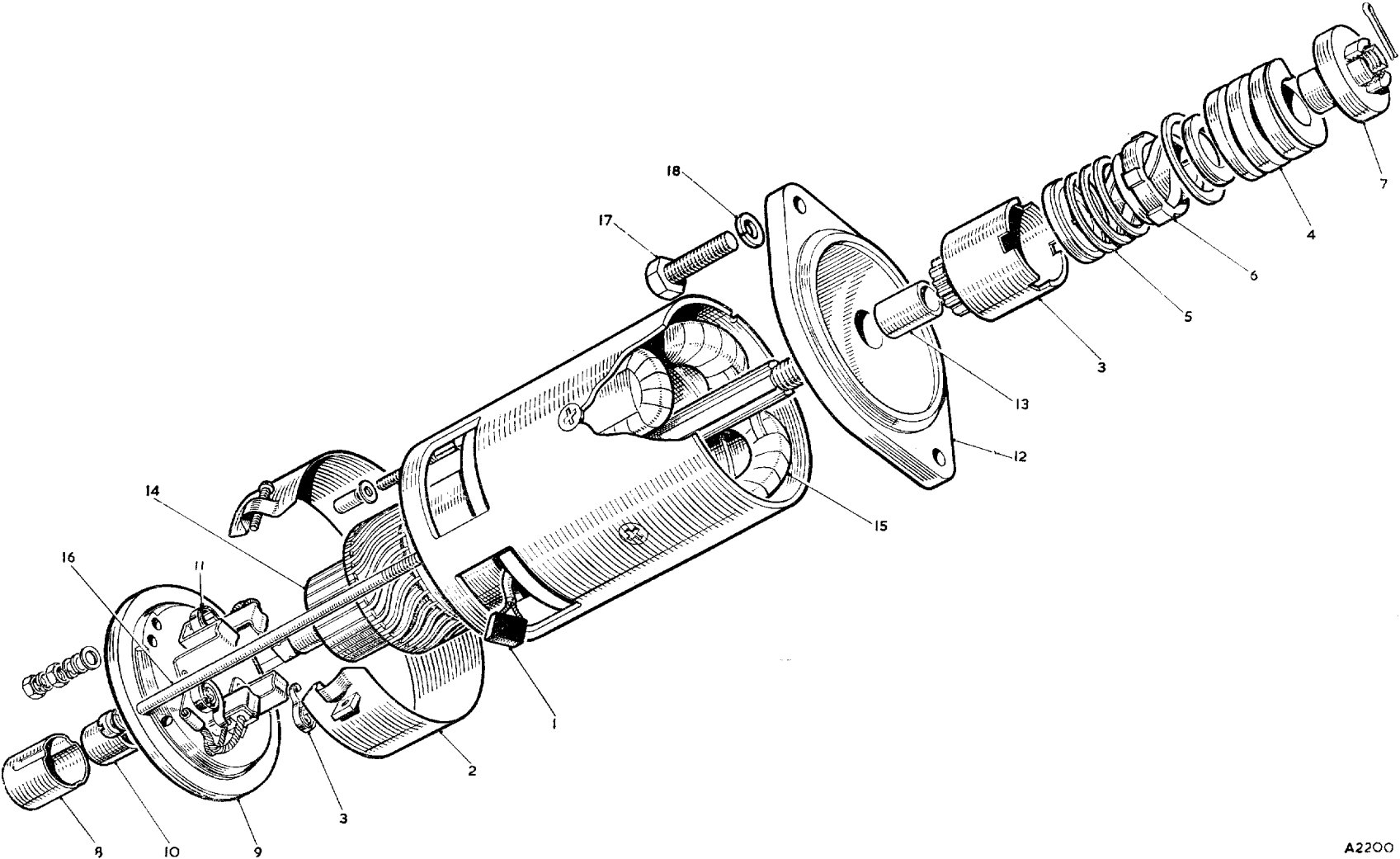


To face page N.1

SERVICE PARTS LIST

THE M.G. Series MGA TWIN CAM

Item No.	DESCRIPTION	Commencing (C) 501		Qty. per Vehicle		Unit of Issue	Type of Vehicle	MODIFICATIONS			REMARKS
		Part Number	Illus. No.	RHD	LHD			New Part Number	Change Point	Amdt. No.	
ELECTRICAL EQUIPMENT											
BATTERY											
1	Battery	N.S.P.	N1	2	2						
2	Screw—terminal	2K8645	N2	2	2						
3	Clamp—battery	AHH5166	N3	2	2						
4	Packing—battery clamp	AHH5169	N4	2	2						
5	Bolt—battery fixing (long)	AHH5167	N5	2	2						
6	Bolt—battery fixing (short)	AHH5168	N6	2	2						
7	Locknut for battery fixing bolt	FNZ204	N7	8	8						
8	Pad—battery (rubber)	AHH5170	N8	4	4						
9	Cover—battery	BHA4140	N9	2	2						
10	Cap nut—cover	BHA4147	N10	4	4						
11	Bolt—battery (long)	AHH5964	N11	2	2						Optional extra
12	Bolt—battery (short)	AHH5963	N12	2	2						
13	Nut for bolt	AJD8104Z	N13	4	4						
DYNAMO											
14	Dynamo	AEJ12		1	1						Correction. Was 11G220
15	Nut for shaft	47H5215	N14	1	1						
16	Washer for nut (spring)	LWZ207	N15	1	1						
17	Bearing—drive end	97H626	N16	1	1						
18	Bracket assembly—drive end	57H5083	N17	1	1						
19	Key for pulley	WKN404	N18	1	1						
20	Armature	7H5389	N19	1	1						
21	Coils—field	7H5071	N20	1 set	1 set	1					
22	Bracket assembly—commutator end	57H5082	N21	1	1						
23	Bush for bracket	7H5390	N22	1	1						
24	Oiler	17H5530	N23	1	1						
25	Spring—brush tension	7H5031	N24	1 set	1 set	1					
26	Brush	7H5028	N25	1 set	1 set	1					
27	Terminal	17H5433	N26	1	1						
28	Bolt—through-fixing	17H5217	N27	2	2						
29	Sundry parts	7H5376		1 set	1 set	1					



A2200

SERVICE PARTS LIST

THE M.G. Series MGA TWIN CAM

Item No.	DESCRIPTION	Commencing (C) 501		Qty. per Vehicle		Unit of Issue	Type of Vehicle	MODIFICATIONS			REMARKS
		Part Number	Illus. No.	RHD	LHD			New Part Number	Change Point	Amdt. No.	
	STARTER										
1	Starter	3H952		1	1						
2	Brush	7H5040	NA1	1 set	1 set	1					
3	Band—cover	7H5038	NA2	1	1						
4	Pinion and barrel	7H5046	NA3	1	1						
5	Spring—pinion main	7H5045	NA4	1	1						
6	Spring—pinion return	7H5047	NA5	1	1						
7	Sleeve—screwed (with control nut)	7H5529	NA6	1	1						
8	Nut for shaft	47H5342	NA7	1	1						
9	Cap—shaft	7H5039	NA8	1	1						
10	Bracket assembly—commutator end	7H5041	NA9	1	1						
11	Bush	7H5042	NA10	1	1						
12	Spring—brush tension	7H5043	NA11	1 set	1 set	1					
13	Bracket assembly—drive end	7H5048	NA12	1	1						
14	Bush	7H5049	NA13	1	1						
15	Armature	7H5050	NA14	1	1						
16	Coils—field	7H5051	NA15	1 set	1 set	1					
17	Bolt—through-fixing	17H5444	NA16	2	2						
18	Sundry parts	7H5156		1 set	1 set	1					
19	Screw—starter to engine	53K149	NA17	2	2						
20	Washer for screw (spring)	LWZ206	NA18	2	2						

SERVICE PARTS LIST

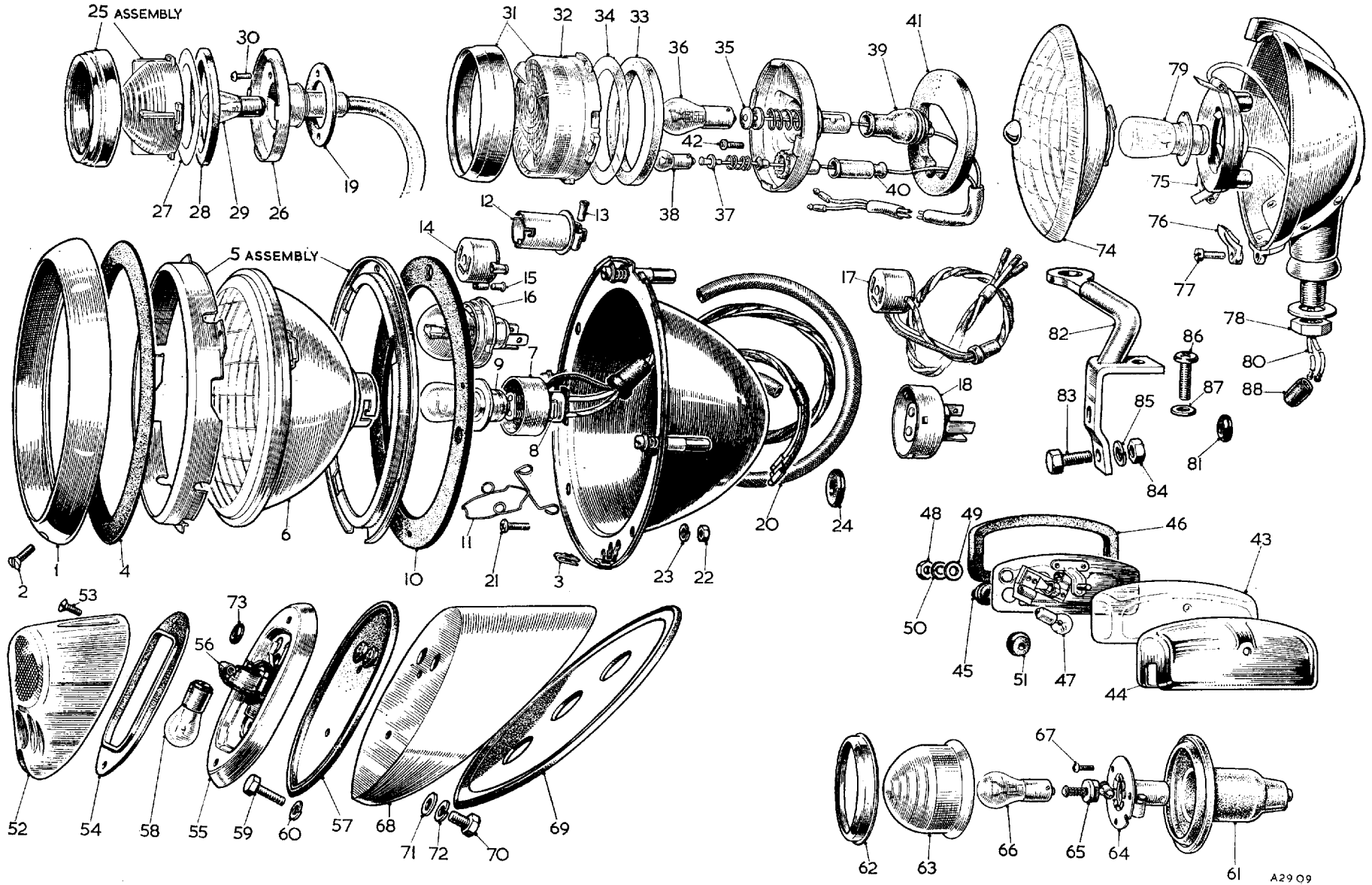
THE M.G. Series MGA TWIN CAM

Item No.	DESCRIPTION	Commencing (C) 501		Qty. per Vehicle		Unit of Issue	Type of Vehicle	MODIFICATIONS			REMARKS
		Part Number	Illus. No.	RHD	LHD			New Part Number	Change Point	Amdt. No.	
	SWITCHES										
1	Switch—panel light	47H5188	NB1	1	1						
2	Knob for switch	AHH5368	NB2	1	1						
3	Switch—ignition	AHH5369	NB3	1	1						
4	Lock and key—ignition switch	7H9890	NB4	1	1						
5	Key	ANK4646	NB5	2	2						
6	Switch—head and sidelamp	3H3098	NB6	1	1						
7	Knob for switch	AHH5360	NB7	1	1						
8	Switch—flasher	AMK5607	NB8	1	1						
9	Lever for switch	27H5511	NB9	1	1						
10	Nut fixing flasher switch (knurled)	17H5485	NB10	1	1						
11	Screw fixing lever	17H5483	NB11	1	1						
12	Washer for screw (spring)	17H5484	NB12	1	1						
13	Switch—map-reading lamp	27H5278	NB13	1	1						
14	Knob for switch	AHH5362	NB14	1	1						
15	Switch—starter	3H949	NB15	1	1						
16	Coupling—switch to control	3H950	NB16	1	1						
17	Bootee for terminal	8G548	NB17	2	2						
18	Switch—fog lamp	27H5278	NB18	1	1						
19	Knob for switch	AHH5366	NB19	1	1						
20	Switch—stop lamp	3H1894	NB20	1	1						
21	Switch—windscreen wiper	27H5278	NB21	1	1						
22	Knob for switch	AHH5364	NB22	1	1						
23	Switch—dipper	11G2007	NB23	1	1						
24	Screw—switch to bracket	AJD1243Z	NB24	2	2						
25	Washer for screw (spring)	LWZ203	NB25	2	2						
26	Bracket—dipper switch	AHH5780	NB26	1							
27	Screw—bracket to bulkhead	HZS0405	NB27	3							
28	Washer for screw (spring)	LWZ204	NB28	3							
29	Washer for screw (plain)	PWZ104	NB29	3							
30	Bracket—dipper switch	AHH5347			1			AHH5965	Com. (C) 2281		
31	Screw—bracket to bulkhead	PMZ0308			1						
32	Screw—bracket to bulkhead	CMZ0308			2						
33	Washer for screw (cup)	7722			2						
34	Nut for screw	FNZ108			3						
35	Screw—bracket to goalpost				3			PPZ0310	Com. (C) 2281		
36	Washer for screw (spring)				3			LWZ203			

SERVICE PARTS LIST

THE M.G. Series MGA TWIN CAM

Item No.	DESCRIPTION	Commencing (C) 501		Qty. per Vehicle		Unit of Issue	Type of Vehicle	MODIFICATIONS			REMARKS
		Part Number	Illus. No.	RHD	LHD			New Part Number	Change Point	Amdt. No.	
	Switches—continued										
1	Box—control	3H1835	NB30	1	1						
2	Screw fixing control box	PMZ0320	NB31	2	2						
3	Washer for screw (spring)	LWZ203	NB32	2	2						
4	Nut for screw	FNZ103	NB33	2	2						
5	Washer (special)	AJD7212	NB34	2	2						
6	Box—fuse	1G2613	NB35	1	1						
7	Fuse (35-amp.)	7H5067	NB36	4	4						
8	Screw fixing fusebox	PMZ0310	NB37	2	2						
9	Washer for screw (spring)	LWZ203	NB38	2	2						
10	Nut for screw	FNZ103	NB39	2	2						
11	Switch—headlamp flasher	(N. AMERICA) BHA4116	NB40	1	1						
12	Relay—headlamp flasher	(N. AMERICA) 3H1911	NB41	1	1						
13	Screw fixing relay	PMZ0808	NB42	2	2						Optional extra
14	Nut for screw	FNZ103	NB43	2	2						
15	Washer for nut (spring)	LWZ203	NB44	2	2						



A29 09

SERVICE PARTS LIST

THE M.G. Series MGA TWIN CAM

Item No.	DESCRIPTION	Commencing (C) 501		Qty. per Vehicle		Unit of Issue	Type of Vehicle	MODIFICATIONS			REMARKS
		Part Number	Illus. No.	RHD	LHD			New Part Number	Change Point	Amdt. No.	
	LAMPS (ROAD)										
1	Headlamp (U.K.)	47H5365		2							
2	Rim assembly	17H5147	NC1	2							
3	Screw—rim fixing	AJA5081	NC2	2							
4	Nut for screw	27H5354	NC3	2							
5	Excluder—dust	3H2962	NC4	2							
6	Plate—light unit retaining	17H5205	NC5	2							
7	Light unit—left dip	7H5483	NC6	2							
8	Bulb holder	17H5306	NC7	2							
9	Sleeve—terminal	37H5271	NC8	6							
10	Bulb—left dip	13H140	NC9	2							
11	Gasket (rubber)	3H1031	NC10	2							
12	Headlamp (SWEDEN)			2	2						
13	Rim assembly			2	2			BMK391			
14	Screw—rim fixing			2	2			17H5147			
15	Nut for screw			2	2			AJA5081			
16	Excluder—dust			2	2			27H5354			
17	Plate—light unit retaining			2	2			3H2962			
18	Light unit			2	2			17H5205	Com. (C) 2418		
19	Spring—bulb retaining			2	2			47H5328			
20	Adaptor			2	2			47H5125			
21	Bulb—vertical dip			2	2			47H5126			
22	Gasket (rubber)			2	2			13H138			
23				2	2			3H1031			
23	Headlamp (EUROPE)	3H2520		2	2				Fin. (C) 823		
24	Headlamp (European lens)			2	2			BCA4302	Com. (C) 824		Except France
25	Rim assembly	17H5147		2	2						
26	Screw—rim fixing	AJA5081		2	2						
27	Nut for screw	27H5354		2	2						
28	Excluder—dust	3H2962		2	2						
29	Plate—light unit retaining	17H5205		2	2						
30	Light unit—vertical dip	7H5485		2	2						
31	Light unit			2	2				Fin. (C) 823		
32	Spring—bulb retaining		NC11	2	2			47H5124	Com. (C) 824		
33	Bulb holder	17H5306		2	2			47H5125			
34	Sleeve—terminal	7H5582		6	6				Fin. (C) 823		
35	Adaptor			2	2						
36	Sleeve—terminal			6	6			47H5126	Com. (C) 824		
37	Bulb—vertical dip	3H921		2	2			37H5271			
38	Gasket (rubber)	3H1031		2	2			13H138			

SERVICE PARTS LIST

THE M.G. Series MGA TWIN CAM

Item No.	DESCRIPTION	Commencing (C) 501		Qty. per Vehicle		Unit of Issue	Type of Vehicle	MODIFICATIONS			REMARKS
		Part Number	Illus. No.	RHD	LHD			New Part Number	Change Point	Amdt. No.	
	Lamps (Road)—continued										
1	Headlamp (less bulb) (FRANCE)	17H5330			2						
2	Headlamp (FRANCE)				2			BGA4303	Fin. (C) 1617 Com. (C) 1618		
3	Rim assembly	17H5147			2						
4	Screw—rim fixing	AJA5081			2						
5	Nut for screw	27H5354			2						
6	Excluder—dust	3H2962			2						
7	Plate—light unit retaining	17H5205			2						
8	Light unit	7H5486			2						
9	Light unit				2			47H5124	Fin. (C) 1617 Com. (C) 1618		
10	Spring—bulb retaining				2			47H5125			
11	Back-shell assembly	17H5146			2						
12	Bulb holder	7H5062	NC12		2				Fin. (C) 1617		
13	Sleeve—terminal	7H5582	NC13		6						
14	Adaptor		NC14		2			47H5126			
15	Sleeve—terminal		NC15		6			7H5582	Com. (C) 1618		
16	Bulb (yellow)		NC16		2			13H139			
17	Gasket (rubber)	3H1081			2						
18	Sleeve—sealing	27H5253			6						
19	Headlamp (Not U.K.)	17H5543			2						Except Europe
20	Rim assembly	17H5147			2						
21	Screw—rim fixing	AJA5081			2						
22	Nut for screw	27H5354			2						
23	Excluder—dust	3H2962			2						
24	Plate—light unit retaining	17H5205			2						
25	Light unit—right dip	17H5375			2						
26	Adaptor	17H5244	NC17		2						
27	Adaptor—conversion	17H5546	NC18		2						
28	Bulb—right dip	3H1893			2						
29	Gasket (rubber)	3H1081			2						
30	Sleeve—sealing	27H5253			6						
31	Headlamp (U.S.A.)	17H5331			2			57H5010	Com. (C) 2278		
32	Rim assembly	17H5147			2			47H5564			
33	Screw—rim fixing	AJA5081			2						
34	Nut for screw	27H5354			2						
35	Excluder—dust	3H2962			2				Fin. (C) 2277		
36	Plate—light unit retaining	17H5205			2						
37	Adaptor	17H5244			2			47H5126	Com. (C) 2278		
38	Gasket—body	3H1081			2			13H346			

SERVICE PARTS LIST

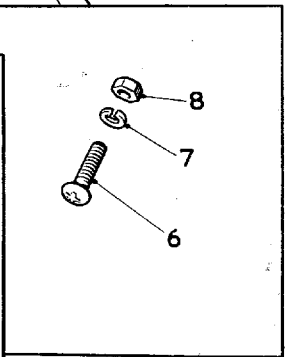
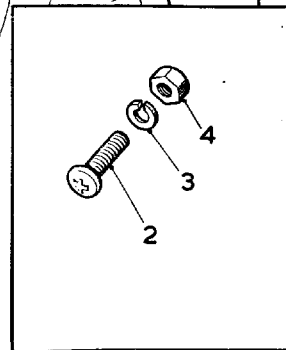
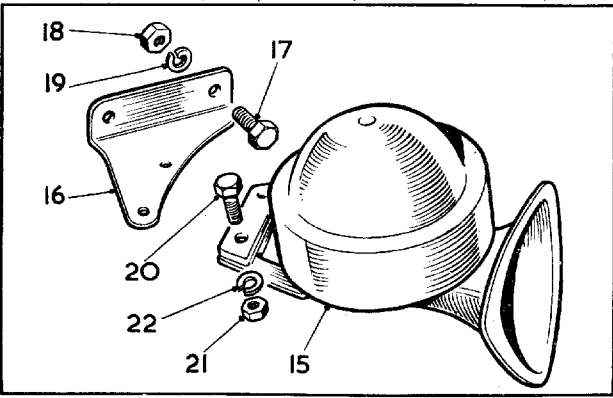
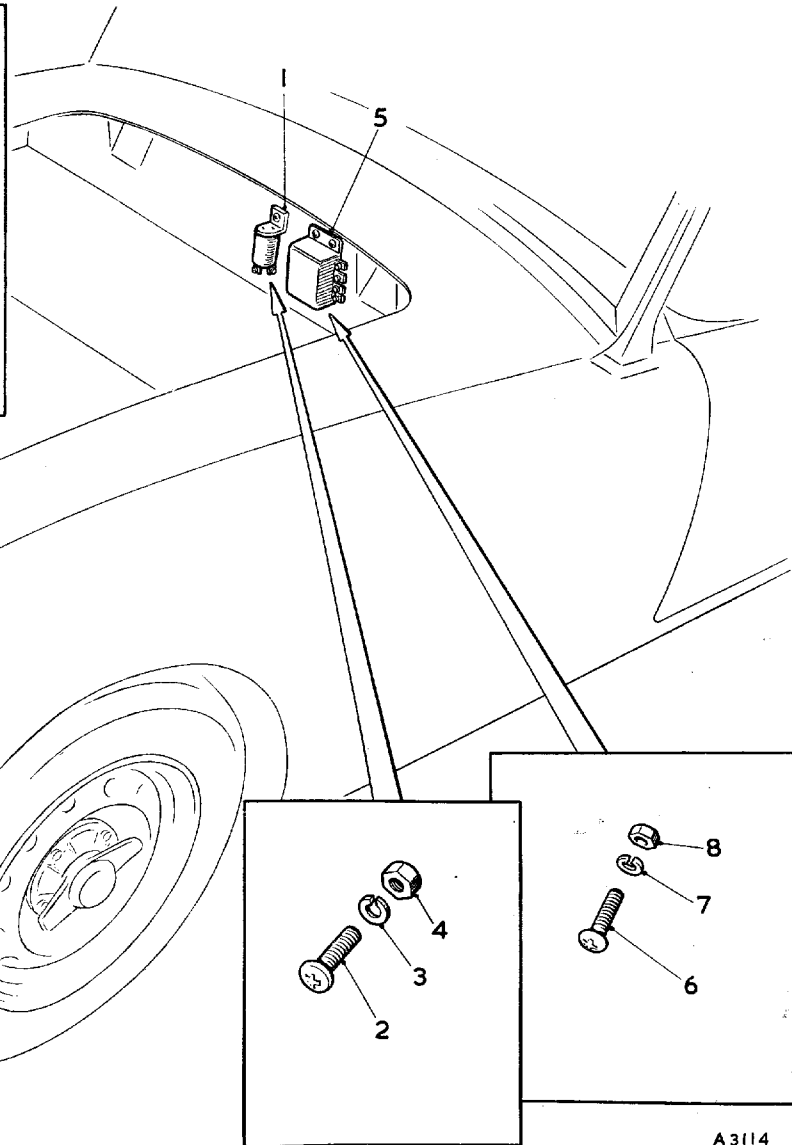
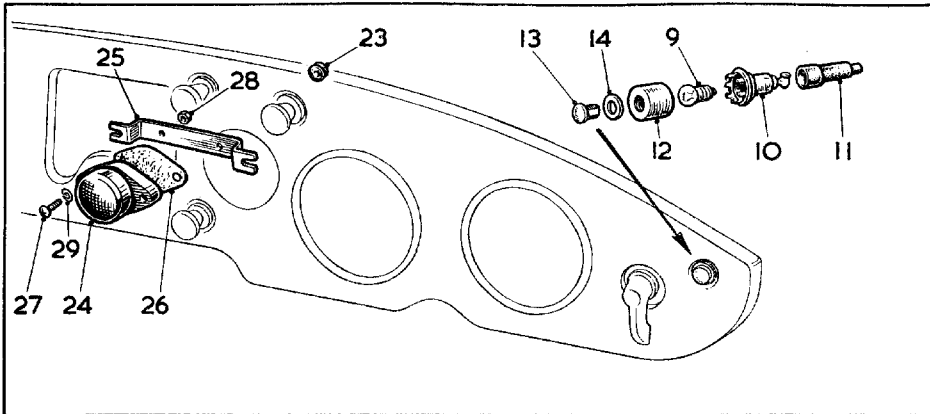
THE M.G. Series MGA TWIN CAM

Item No.	DESCRIPTION	Commencing (C) 501		Qty. per Vehicle		Unit of Issue	Type of Vehicle	MODIFICATIONS			REMARKS
		Part Number	Illus. No.	RHD	LHD			New Part Number	Change Point	Amdt. No.	
	Lamps (Road)—continued										
1	Tubing for headlamp leads (P.V.C.)	ACH5701	NC20	2	2						
2	Screw—headlamp to wing	PMZ0310	NC21	8	8						
3	Nut for screw	FNZ103	NC22	8	8						
4	Washer for nut (spring)	LWZ203	NC23	8	8						
5	Grommet—headlamp cables through front panel and radiator support	RFR110	NC24	3	3						
6	Sidelamp assembly	ACC5292		2	2						
7	Rim and glass	17H5428	NC25	2	2						
8	Body	AJH5151	NC26	2	2						
9	Ring—sliding (plastic)	17H5303	NC27	2	2						
10	Washer—seating (rubber)	17H5308	NC28	2	2				Fin. (C) 2192		
11	Bulb	1F9026	NC29	2	2						
12	Screw fixing sidelamp	PMZ0206	NC30	6	6						
13	Sidelamp assembly and flasher (amber and white)			2	2						
14	Sidelamp assembly and flasher (white)			2	2						
15	Lens and rim (amber and white)		NC31	2	2						
16	Lens and rim (white)			2	2						
17	Lens (amber and white)		NC32	2	2						
18	Lens (white)			2	2						
19	Gasket—lens seating		NC33	2	2						
20	Ring—sliding		NC34	2	2						
21	Interior—bulb holder (flasher)		NC35	2	2						
22	Bulb—flasher		NC36	2	2						
23	Interior—bulb holder (sidelamp)		NC37	2	2						
24	Bulb—sidelamp		NC38	2	2						
25	Grommet—cable entry (flasher)		NC39	2	2						
26	Grommet—cable entry (sidelamp)		NC40	2	2						
27	Gasket—lamp seating		NC41	2	2						
28	Screw fixing sidelamp		NC42	4	4						
29	Lamp—number-plate	3H1813		1	1						
30	Window	7H5121	NC43	1	1						
31	Cover	7H5185	NC44	1	1						
32	Sundry parts	7H5123		1 set	1 set	1					
33	Grommet for cable	7H5164	NC45	1	1						
34	Joint—lamp base	7H5122	NC46	1	1						
35	Bulb	2H4817	NC47	1	1						
36	Nut fixing lamp	AJD8012Z	NC48	2	2						
37	Washer for nut (plain)	PWZ103	NC49	2	2						
38	Washer for nut (spring)	LWZ203	NC50	2	2						
39	Grommet for cable	RFR104	NC51	1	1						
40											

SERVICE PARTS LIST

THE M.G. Series MGA TWIN CAM

Item No.	DESCRIPTION	Commencing (C) 501		Qty. per Vehicle		Unit of Issue	Type of Vehicle	MODIFICATIONS			REMARKS
		Part Number	Illus. No.	RHD	LHD			New Part Number	Change Point	Amdt. No.	
	Lamps (Road)—continued										
1	Lamp—stop/tail and reflex assembly	13H23		2	2						Correction. Was ADA1613
2	Lens and reflex assembly	AJA5069	NC52	2	2						
3	Screw—lens fixing	37H5410	NC53	4	4						
4	Washer—lens seating (rubber)	AJA5071	NC54	2	2						
5	Rim and bulb holder assembly	AJA5072	NC55	2	2						
6	Sleeve—terminal	37H5271	NC56	6	6						
7	Washer—lamp seating (rubber)	AJA5073	NC57	2	2						
8	Bulb	1F9026	NC58	2	2						
9	Screw—lamp to plinth	PMZ0308	NC59	4	4						
10	Washer for screw (spring)	LWZ203	NC60	4	4						
11	Lamp—flasher rear (amber)			2	2			2A9013			
12	Lamp—flasher rear (red)			2	2			2A9040			
13	Body (rubber)		NC61	2	2			37H5527			
14	Rim		NC62	2	2			7H5182			
15	Lens (amber)		NC63	2	2			37H5520			
16	Lens (red)			2	2			37H5531			
17	Bulb holder and plate assembly		NC64	2	2			37H5528	Com. (C) 2193		
18	Interior—bulb holder		NC65	2	2			AJH5100			
19	Bulb		NC66	2	2			1F9012			
20	Screw—lamp to plinth		NC67	6	6			PTZ604			
21	Nut for screw			6	6			PFS326			
22	Plinth—tail lamp—R.H.	AHH5392	NC68	1	1			AHH5920			
23	Plinth—tail lamp—L.H.	AHH5393		1	1			AHH5921			
24	Seal for plinth	AHH5505	NC69	2	2			AHH5918			
25	Screw—plinth to rear wing	HZS0405	NC70	4	4						
26	Washer for screw (plain)	PWZ204	NC71	4	4						
27	Washer for screw (spring)	LWZ204	NC72	4	4	12					
28	Grommet for cable	RFR104	NC73	2	2						
29	Fog lamp	ADH785		2	2						
30	Light unit	ACG5179	NC74	2	2						
31	Adaptor assembly	ACG5180	NC75	2	2						
32	Catch—rim	AJH5057	NC76	2	2						
33	Screw—catch	17H5400	NC77	2	2						
34	Nut—lamp spigot	17H5401	NC78	2	2						
35	Bulb	1F9034	NC79	2	2						
36	Lead—fog lamp (3' 9")	AHH5454	NC80	2	2						
37	Lead—fog lamp (1' 3")	AHH5541		2	2						
38	Grommet for fog lamp lead	RFR103	NC81	4	4						
39	Bracket—R.H. fog lamp	AHH5521	NC82	1	1						
40	Bracket—L.H. fog lamp	AHH5520		1	1						
41	Screw—bracket to bumper blade (lower)	HZS0506	NC83	2	2						
42	Nut for screw	FNZ105	NC84	2	2						
43	Washer for nut (spring)	LWZ205	NC85	2	2	24					
44	Screw—bracket to bumper blade (top)	PMP0518	NC86	2	2						
45	Washer for screw (plain)	PWP105	NC87	2	2						
46	Connector	2H2617	NC88	3	3						
47	Reflector—rear	(SWITZERLAND) BHA4148			2						
48	Bracket—reflector—R.H.	(SWITZERLAND) AHH5980			1						
49	Bracket—reflector—L.H.	(SWITZERLAND) AHH5981			1						

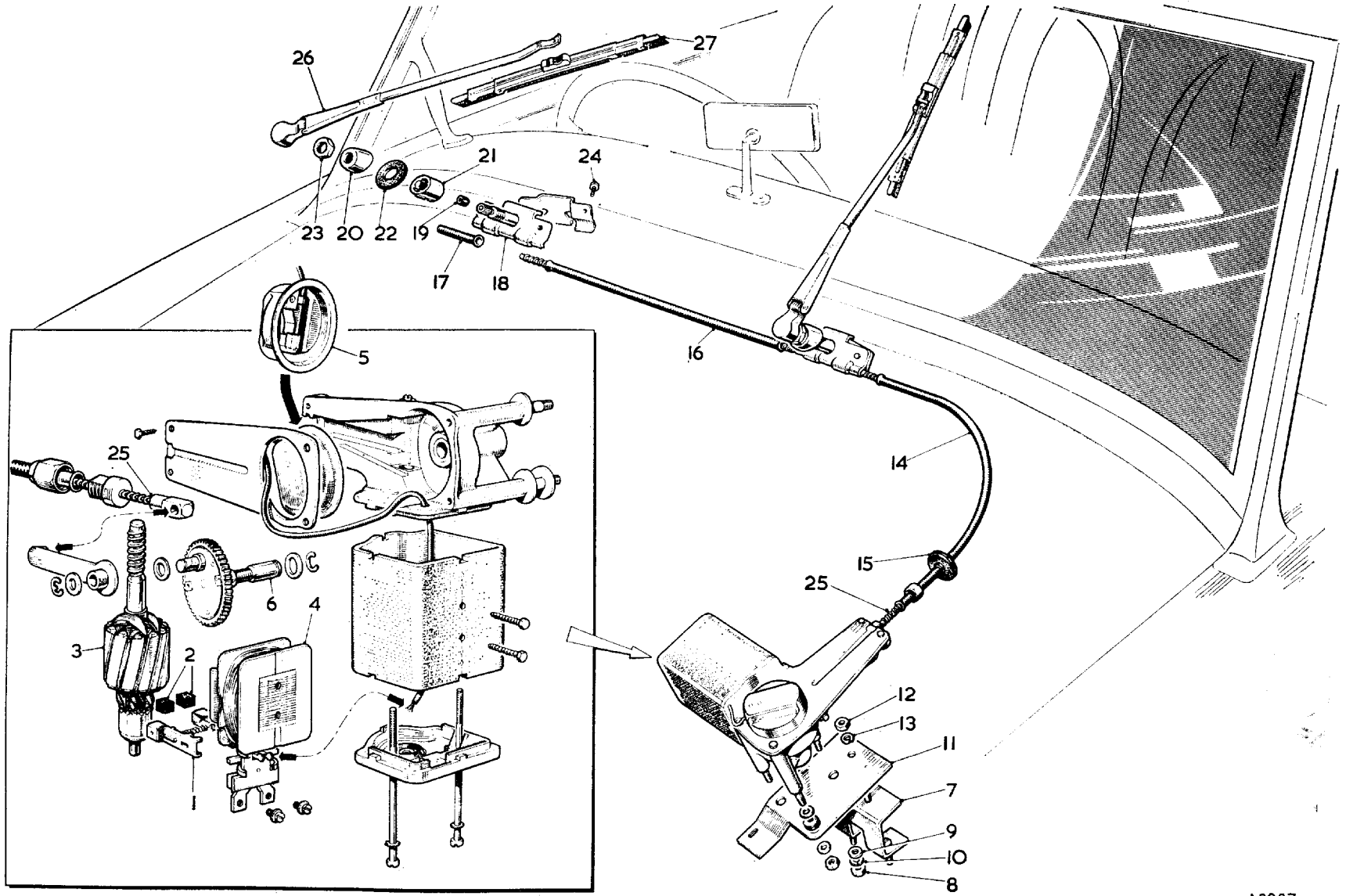


A3114

SERVICE PARTS LIST

THE M.G. Series MGA TWIN CAM

Item No.	DESCRIPTION	Commencing (C) 501		Qty. per Vehicle		Unit of Issue	Type of Vehicle	MODIFICATIONS			REMARKS
		Part Number	Illus. No.	RHD	LHD			New Part Number	Change Point	Amdt. No.	
	FLASHER—HORN AND CONTROLS										
1	Flasher unit	11G9093	ND1	1	1						
2	Screw—flasher unit to dash	FMZ0508	ND2	2	2						
3	Washer for screw (spring)	LWZ205	ND3	2	2	24					
4	Nut for screw	FNZ105	ND4	2	2						
5	Relay unit—flasher	3H1454	ND5	1	1						
6	Screw—relay unit to dash	PMZ0408	ND6	2	2] Fin. (C) 2192			
7	Washer for screw (spring)	LWZ204	ND7	2	2	12					
8	Nut for screw	FNZ104	ND8	2	2						
9	Warning light (flasher)	AHH5370	ND9	1	1						
10	Bulb	2H4732	ND9	1	1						
11	Bulb holder	37H5181	ND10	1	1						
12	Sleeve (rubber)	3H999	ND11	1	1						
13	Shade	AJG5047	ND12	1	1						
14	Window (green)	AJG5046	ND13	1	1						
15	Bezel (chrome)	184166	ND14	1	1						
16	Horn—low note	1B9007	ND15	1	1						
17	Bracket—horn	135448	ND16	1	1						
18	Screw—horn bracket to R.H. front extension	HZS0505	ND17	2	2						
19	Nut for screw	FNZ105	ND18	2	2						
20	Washer for nut (spring)	LWZ205	ND19	2	2	24					
21	Screw—horn to bracket	HZS0407	ND20	2	2						
22	Nut for screw	FNZ104	ND21	2	2						
23	Washer for nut (spring)	LWZ204	ND22	2	2	12					
24	Grommet—horn	ADG1517	ND23	1	1						
25	Push—horn	2H3383	ND24	1	1						
26	Bracket—horn-push	AHH5287	ND25	1	1						
27	Insulating piece—horn-push	AHH5257	ND26	1	1						
28	Screw fixing horn-push	PMZ0210	ND27	2	2						
29	Nut for screw	CNZ102	ND28	2	2						
30	Washer for nut (spring)	LWZ202	ND29	2	2						
31	Horn—high note	1B9008	ND30	1	1						
32	Bracket—L.H. horn	185761	ND31	1	1						
33	Screw—horn bracket to L.H. front extension	HZS0505	ND32	2	2						
34	Nut for screw	FNZ105	ND33	2	2						
35	Washer for nut (spring)	LWZ205	ND34	2	2	24					
36	Screw—horn to bracket	HZS0407	ND35	2	2						
37	Nut for screw	FNZ104	ND36	2	2						
38	Washer for nut (spring)	LWZ204	ND37	2	2	12					
39	Harness—horn	AHH5453	ND38	1	1						
40	Strap—horn harness	AHH5506	ND39	2	2						
41	Grommet—horn	ADG1517	ND40	1	1						Optional extra



A2987

To face page N.10

SERVICE PARTS LIST

THE M.G. Series MGA TWIN CAM

Item No.	DESCRIPTION	Commencing (C) 501		Qty. per Vehicle		Unit of Issue	Type of Vehicle	MODIFICATIONS			REMARKS
		Part Number	Illus. No.	RHD	LHD			New Part Number	Change Point	Amdt. No.	
	WINDSCREEN WIPER										
1	Motor—wiper	37H5308		1	1						
2	Brush gear	17H5396	NE1	1 set	1 set	1					
3	Brushes	7H5130	NE2	1 set	1 set	1					
4	Armature	17H5255	NE3	1	1						
5	Coils—field	17H5432	NE4	1 set	1 set	1					
6	Fixing parts	17H5431		1 set	1 set	1					
7	Switch—adjusting	17H5442	NE5	1	1						
8	Shaft and gear	37H5437	NE6	1	1						
9	Sundry parts	17H5441		1 set	1 set	1					
10	Bracket—wiper motor (lower)	AHH5507	NE7	1	1						
11	Nut—lower bracket to bulkhead	FNZ103	NE8	2	2						
12	Washer for nut (plain)	PWZ204	NE9	2	2						
13	Washer for nut (spring)	LWZ203	NE10	2	2						
14	Bracket—wiper motor (upper)	AHH5508	NE11	1	1						
15	Nut—upper bracket to lower bracket	FNZ104	NE12	1	1						
16	Washer for nut (spring)	LWZ204	NE13	1	1	12					
17	Casing—wheelbox to motor (outer)	AHH5410	NE14	1	1						
18	Grommet	8D5768	NE15	1	1						
19	Casing—wheelbox to wheelbox (outer)	AHH5411	NE16	1	1						
20	Casing—short end (outer)	14G3722	NE17	1	1						
21	Wheelbox assembly	14B5588		2	2						
22	Spindle and gear	17H5388	NE18	2	2						
23	Tube for spindle (rubber)	17H5389	NE19	2	2						
24	Bush (front)	ADB826	NE20	2	2						
25	Bush (rear)	AHH5414	NE21	2	2						
26	Washer (rubber)	ADC560	NE22	2	2						
27	Nut	185925	NE23	2	2						
28	Screw for cover	17H5390	NE24	4	4						
29	Gross-head and rack assembly	37H5169	NE25	1	1						
30	Arm—wiper	17H5513	NE26	2							
31	Arm—wiper	17H5514			2						
32	Blade—wiper	17H5512	NE27	2	2						

SERVICE PARTS LIST

THE M.G. Series MGA TWIN CAM

Item No.	DESCRIPTION	Commencing (C) 501		Qty. per Vehicle		Unit of Issue	Type of Vehicle	MODIFICATIONS			REMARKS
		Part Number	Illus. No.	RHD	LHD			New Part Number	Change Point	Amdt. No.	
	CABLES AND CONNECTIONS										
1	Harness—main forward	AHH5825		1	1			AHH5952] Com. (C) 2193		
2	Harness—chassis	AHH5444		1	1			AHH5953			
3	Harness—panel	AHH5445		1	1			AHH5970			
4	Harness—tail lamp	AHH5446		1	1			AHH5954			
5	Cable—coil to distributor	AHH5826		1	1						
6	Cable—positive battery to earth	AHH5448		1	1						
7	Cable—negative battery to starter switch	AHH5449		1	1						
8	Link—positive battery to negative	AHH5450		1	1						
9	Cable—starter switch to starter	AHH5814		1	1						
10	Cable—petrol pump to earth	ADH2611		1	1						
11	Nut for petrol pump to earth cable	FNZ104		1	1						
12	Washer for nut (spring)	LWZ204		1	1	12.					
13	Lead—flasher and headlamp—L.H.	37H5057		1	1			AHH5969	Com. (C) 2193		
14	Strip—engine to earth	AHH5452		1	1						
15	Clip—main harness to bulkhead	PCR1007		2	2						
16	Screw for clip	PMZ0310		2	2						
17	Nut for screw	FNZ103		2	2						
18	Washer for nut (spring)	LWZ203		2	2						
19	Clip—main harness to body bolt	PCR1011		1	1						
20	Clip—main harness to wing bolt	PCR0811		2	2						
21	Nut for wing bolt clip and earth wire	FNZ105		3	3						
22	Washer for nut (spring)	LWZ205		3	3	24.					
23	Clip—headlamp cable to front panel	PCR0607		3	3						
24	Screw for clip	PMZ0308		3	3						
25	Nut for screw	FNZ103		3	3						
26	Washer for nut (spring)	LWZ203		3	3						
27	Clip—dynamo cable to starter cable (rubber)	ACH8979		1	1						
28	Clip—negative cable to rear ramp screw	PCR0709		1	1						
29	Nut for screw	FNZ204		1	1						
30	Washer for nut (spring)	LWZ204		1	1	12.					
31	Clip—tail lamp harness to side-member	PCR0407		1	1						
32	Screw for clip	PMZ0306		2	2						
33	Nut for screw	FNZ103		2	2						
34	Washer for nut (spring)	LWZ203		2	2						
35	Clip—coil to L.H. wing valance	PCR0709		1	1						
36	Sleeve (rubber)	ACH8529		1	1						
37	Bolt for clip	HBZ0405		1	1						
38	Nut for bolt	FNZ104		1	1						
39	Washer for nut (spring)	LWZ204		1	1	12.					
40	Screw—battery earth cable	HZS0504		1	1						
41	Nut for screw	FNZ105		1	1						
42	Washer for nut (spring)	LWZ205		1	1	24.					

