

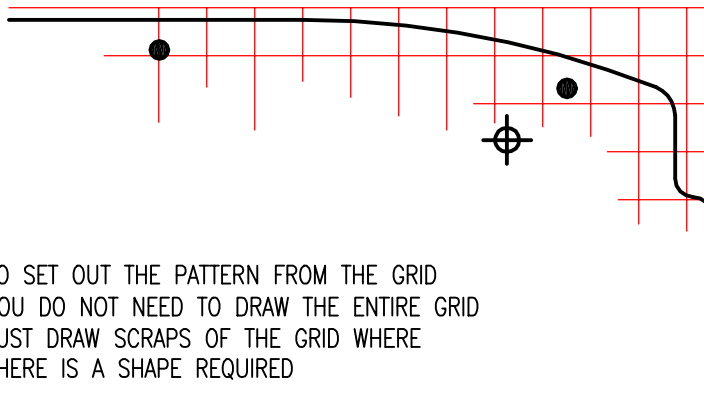
GRID - 1" SQUARES

- HOLE FOR FIXING SCREW
THE LOCATION OF THESE ARE NOT DIMENSIONED
AS THEY SEEM TO VARY ON INDIVIDUAL CARS
TRANSFER EXISTING HOLES IN SUPPORT RAILS
TO NEW FLOORBOARDS WITH A DRILL OR TRANSFER PUNCH
FROM UNDERSIDE. LOCATE NEW HOLES VISUALLY
FROM THE PLANS

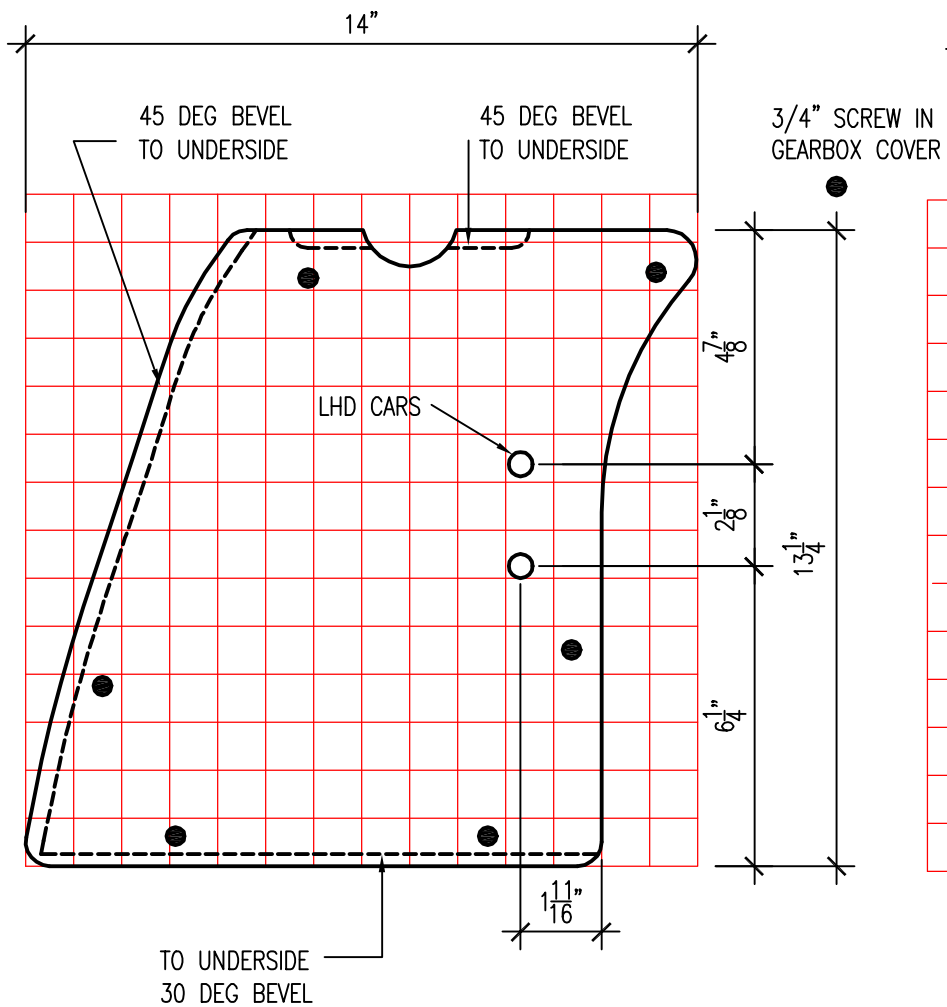
⊕ HOLE FOR SEAT SLIDE BOLT

⊕ CARPET STUDS

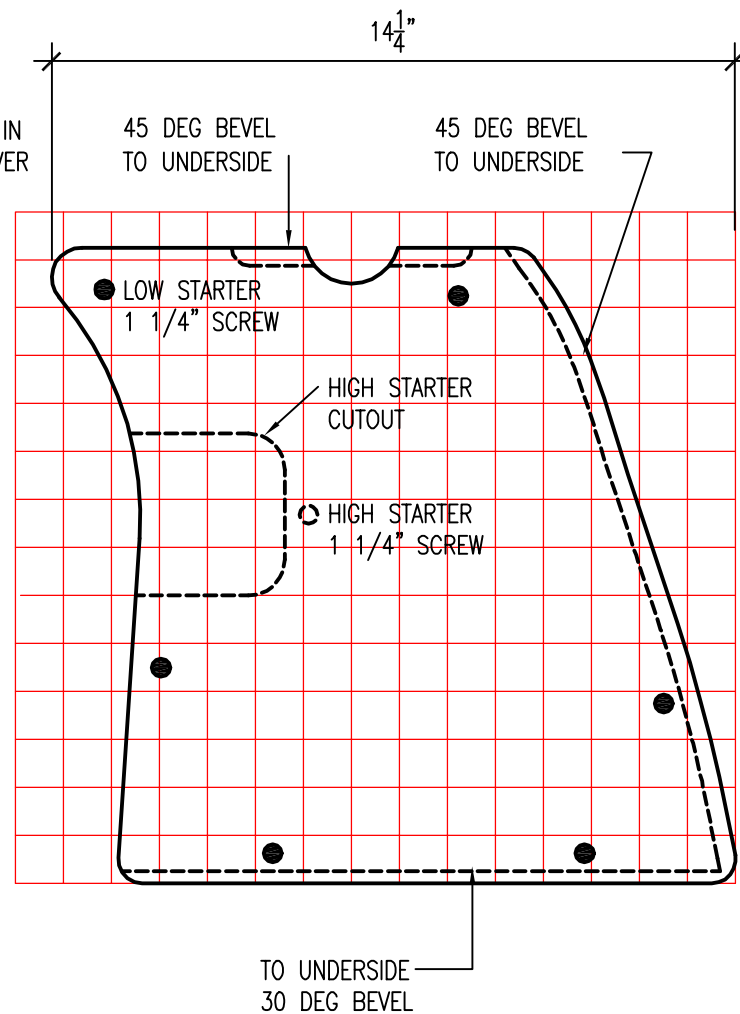
PRINT THESE AT 1:1 ON LETTERSIZE PAPER FOR 1/4
SIZE PRINTS AND TRANSFER THE INFORMATION BY HAND
OR HAVE A PRINTSHOP PRINT PAGES 2 TO 6 AT 400%
FOR FULLSIZE PATTERNS. FULLSIZE PRINTS WILL BE 34"x44"



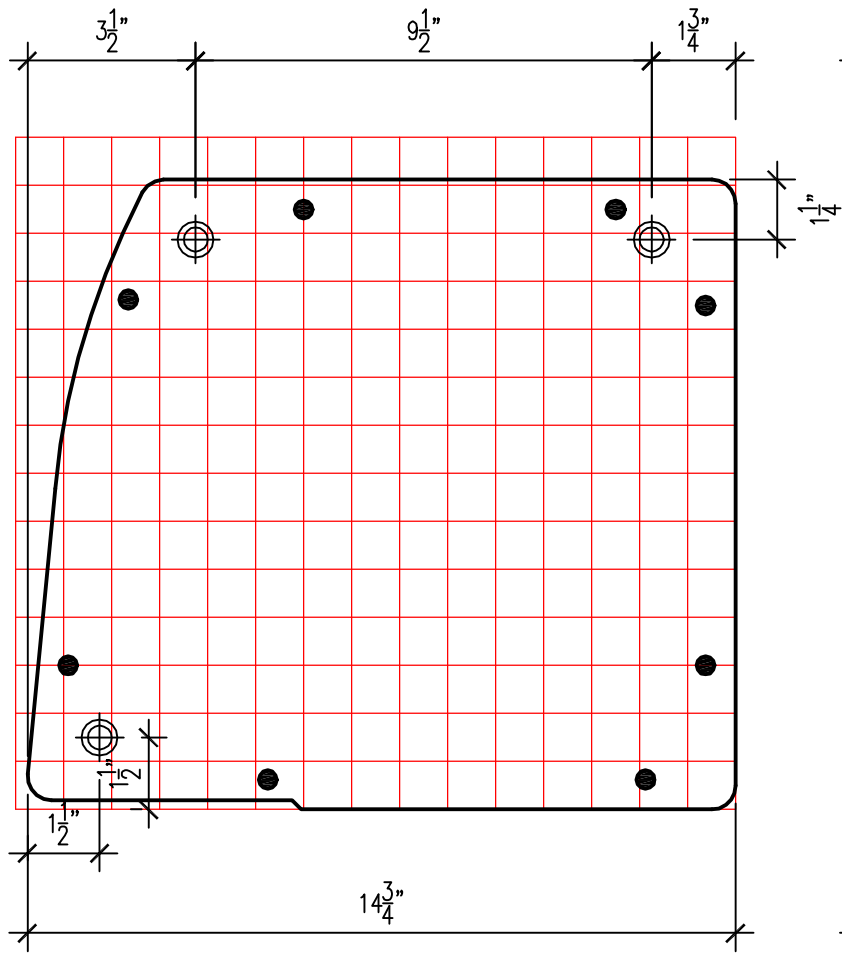
TO SET OUT THE PATTERN FROM THE GRID
YOU DO NOT NEED TO DRAW THE ENTIRE GRID
JUST DRAW SCRAPS OF THE GRID WHERE
THERE IS A SHAPE REQUIRED



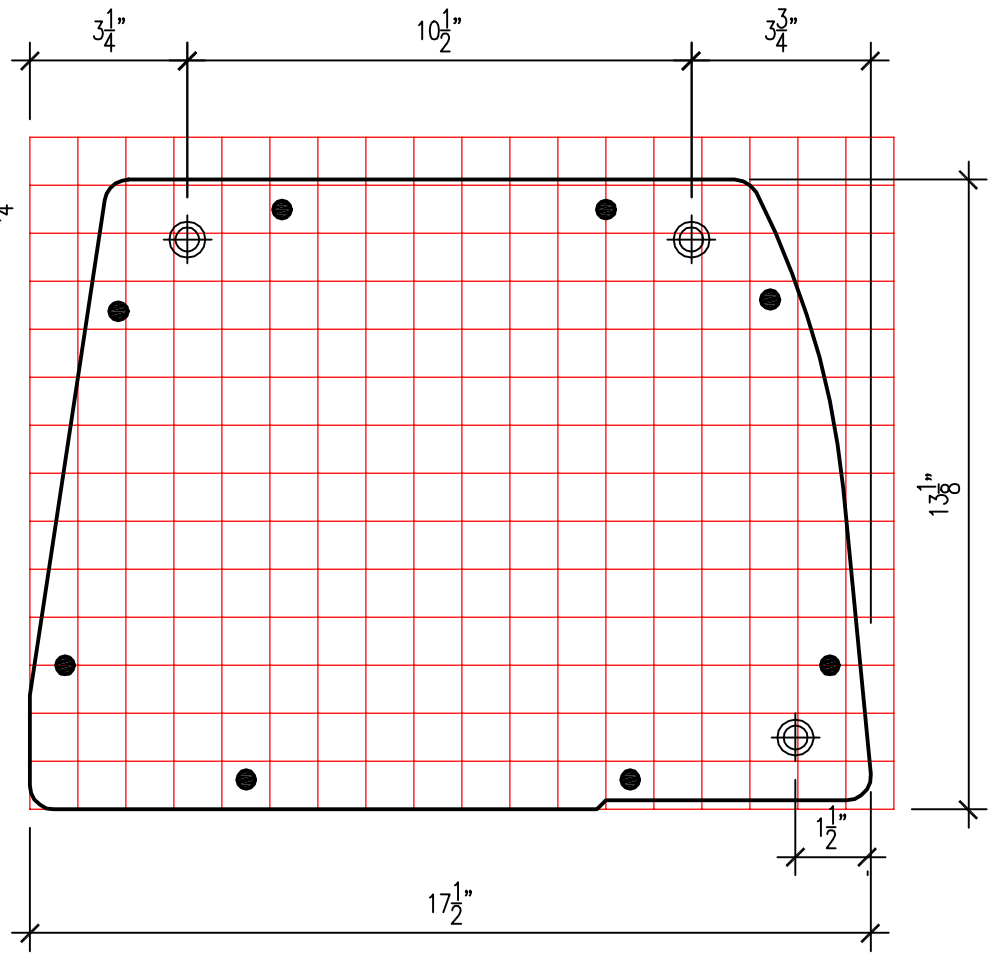
TOEBOARD-FRONT-L.H.



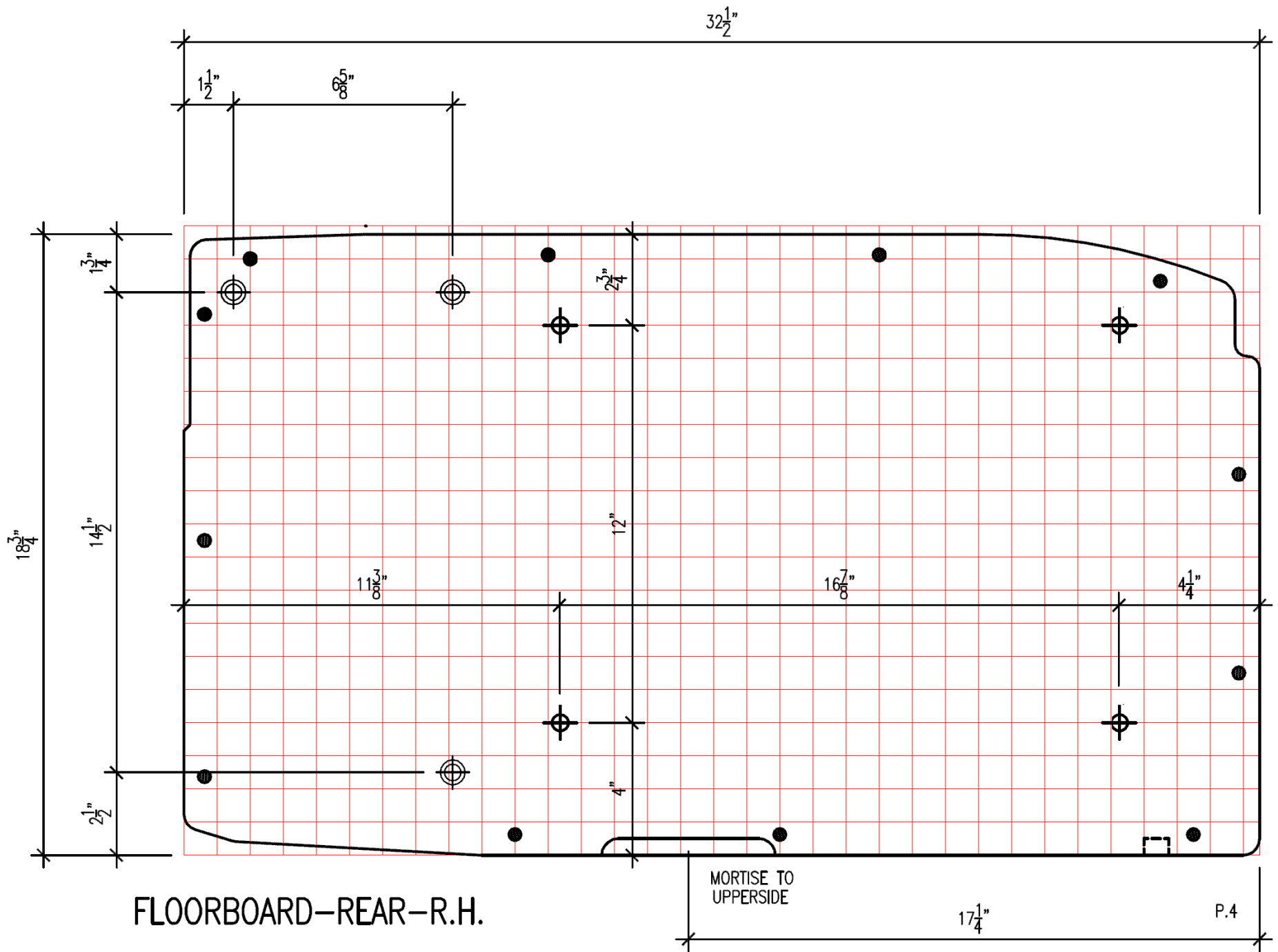
TOEBOARD-FRONT-R.H.

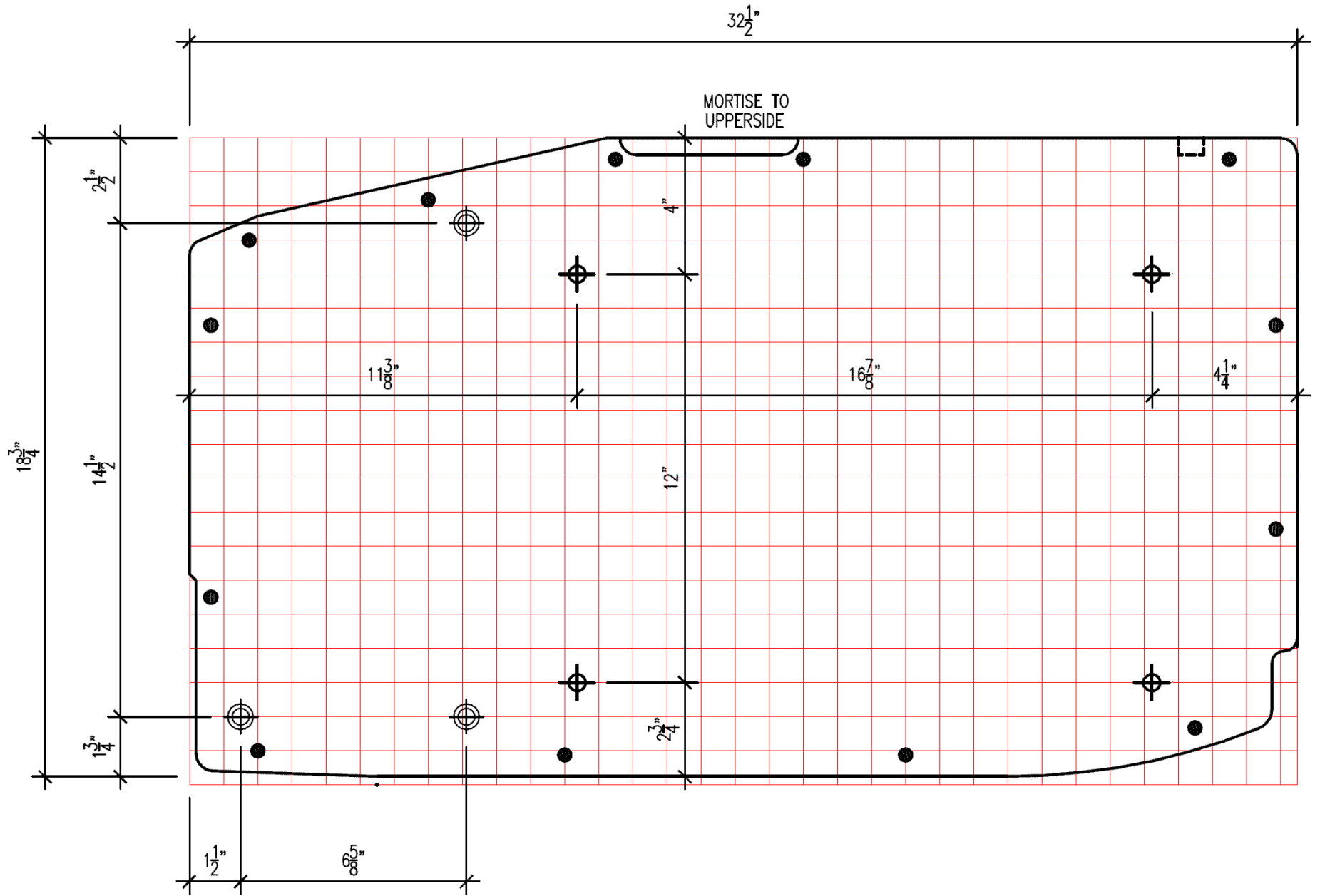


FLOORBOARD-FRONT-L.H.

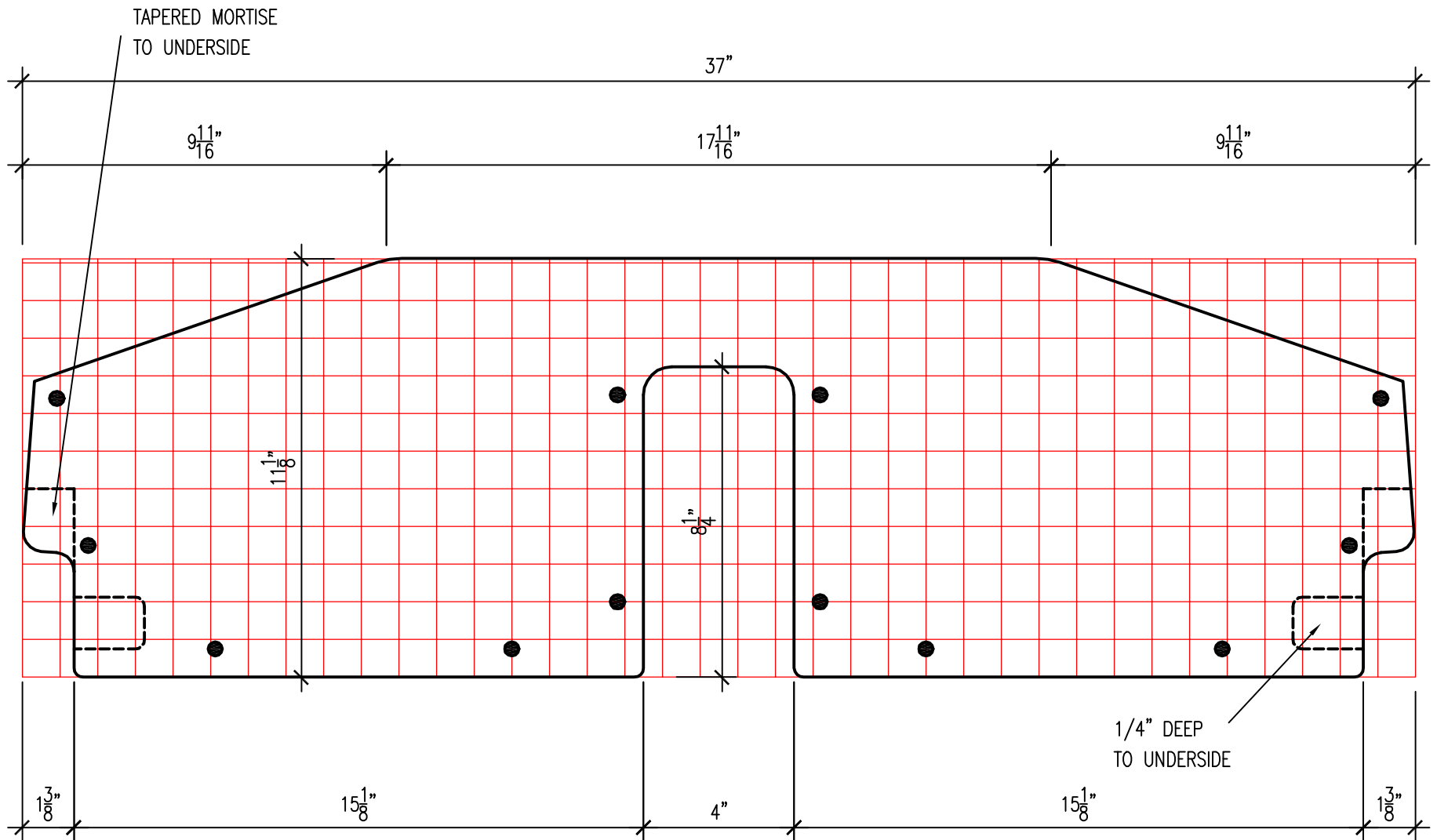


FLOORBOARD-FRONT-R.H.





FLOORBOARD-REAR-L.H.



REAR RAMP BOARD