

LEFT SIDE

RIGHT SIDE

ALUMINUM TRANSMISSION HOUSING

REMOVAL

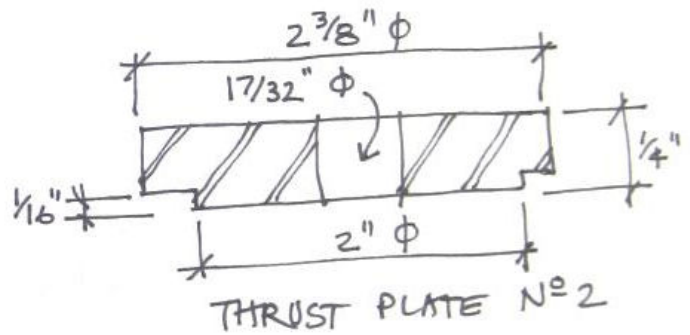
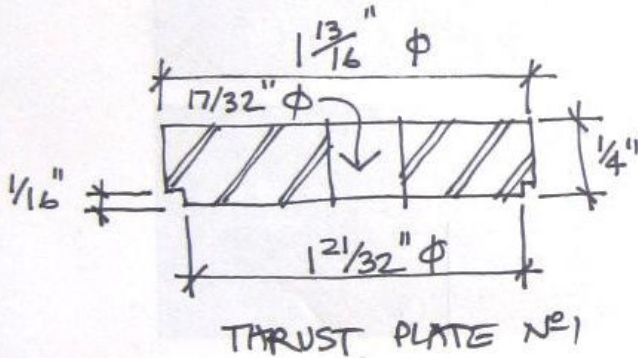
1/2" THREADED ROD W/ NUTS & WASHERS

BUSHING W/ RUBBER AND CENTER BUSH REMOVED

THRUST PLATE N°1

2" ϕ X 3" PIPE NIPPLE

THRUST PLATE N°2



THRUST PLATE #2

TRANSMISSION

OLD BUSHING OR SIM. SPACER

NEW BUSHING

2X3 NIPPLE OR SIM. SPACER

INSTALLATION

THRUST PLATE #1

