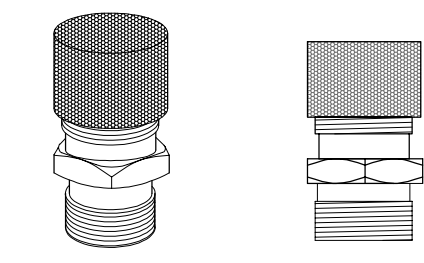
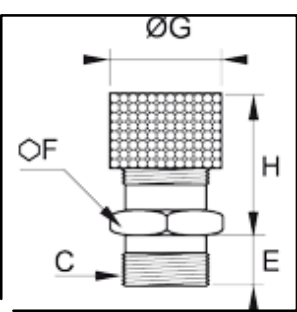


# EXAMPLE OF INSTALATION OF AN AIR VENTILATION ON THE ANDREX FRICTION SHOCK ABSORBERS

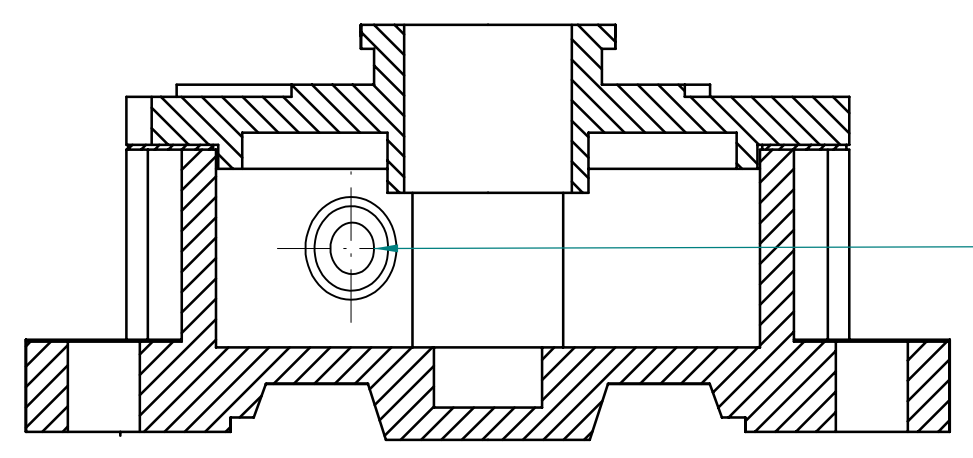
THIS IS TO PREVENT PRESSURE BUILD-UP INSIDE WHEN THE FRICTION HEAT IS EXPANDING THE OIL, AND THE OPPOSITE WHEN IT COOLS DOWN.

Alt. type of vent. cap LENZ Brass Filler Plugs Type: KMF & KMV 14

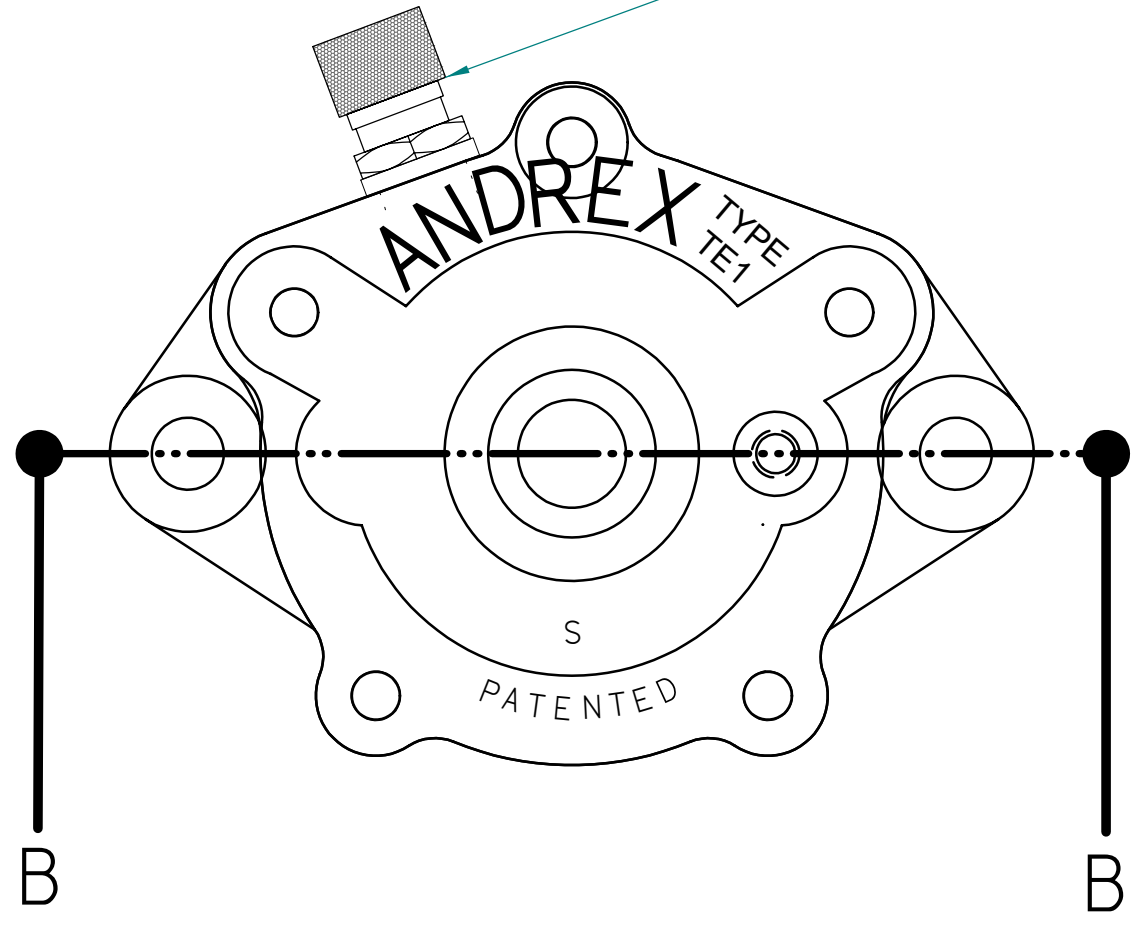


PARKER LEGRIS 0672 FLOW CONTROL SILENCER PART NO.: 0672 00 13

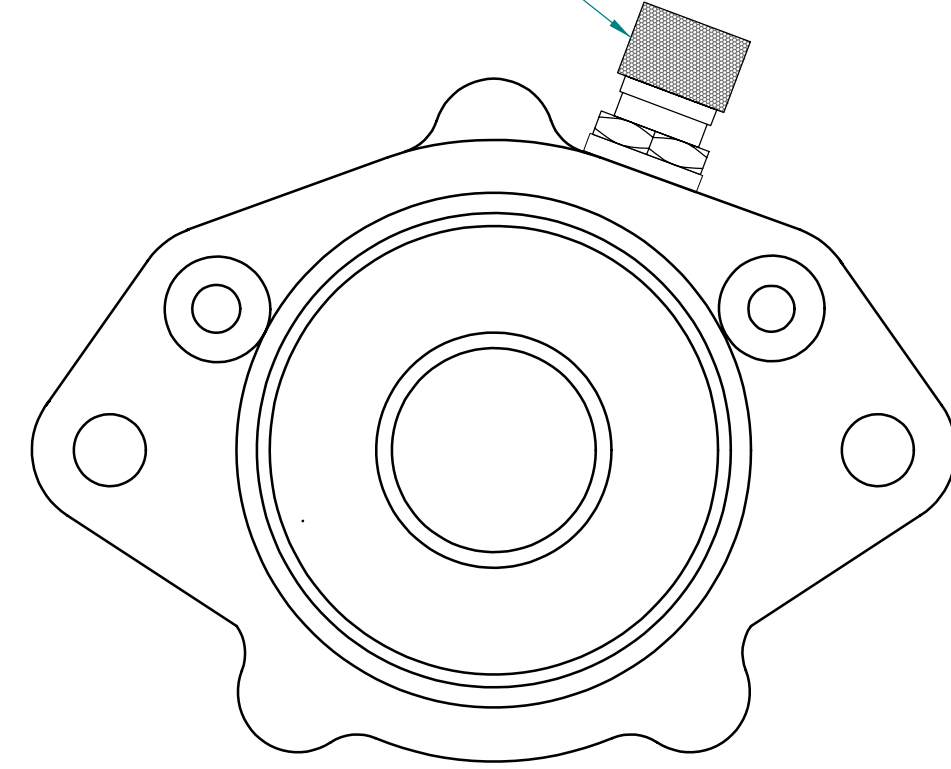
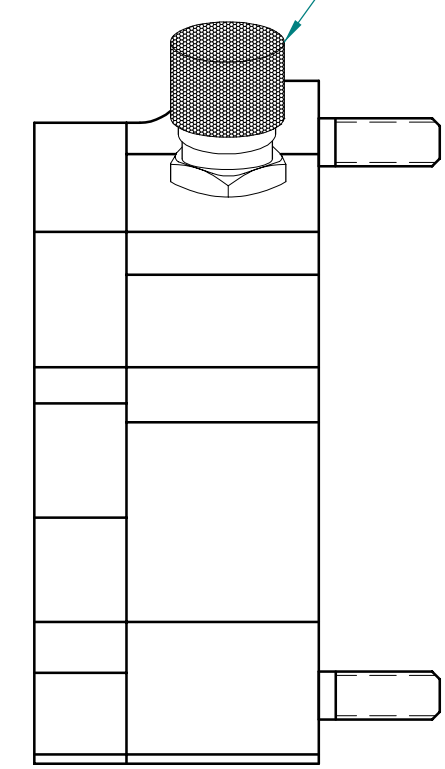
SECTION B - B



ADJUSTABLE PNEUMATIC AIR SILENCER  
TYPE PARKER LEGRIS NO 0672 00 13 1/4" BSPP



FRONT VIEW



REAR VIEW

DRN	DATE	REV.			
O.H	07.11.20	C			
OLA HJORUNGDAL Hjorungdalen 43 6063 Hjorungavag NORWAY			PROJECT: ANDREX SHOCK ABSORBERS Type TE1, AIR VENT. MODIFICATON		
Phn: +47 9170653 E-mail: ola.hjorungdal@tussa.com			DRAWING NO: 071120.OH	DIM: Inc.	SCALE: 1 : 2