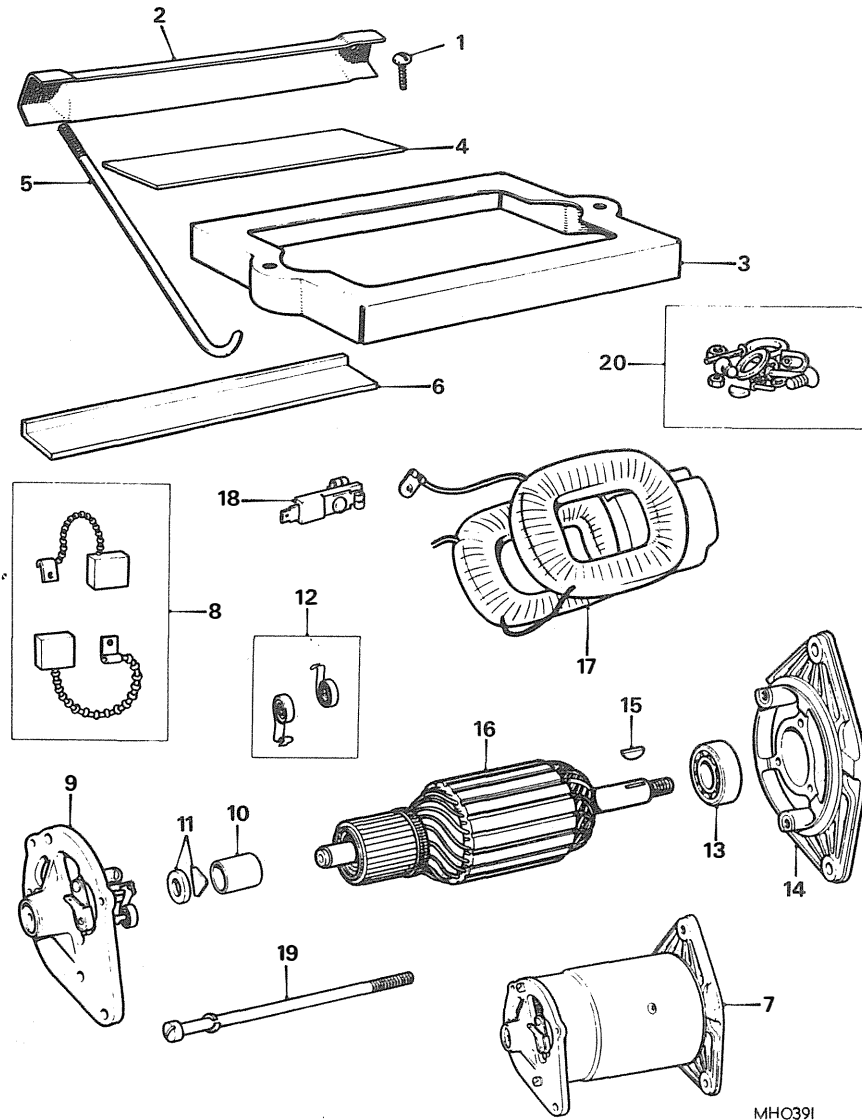


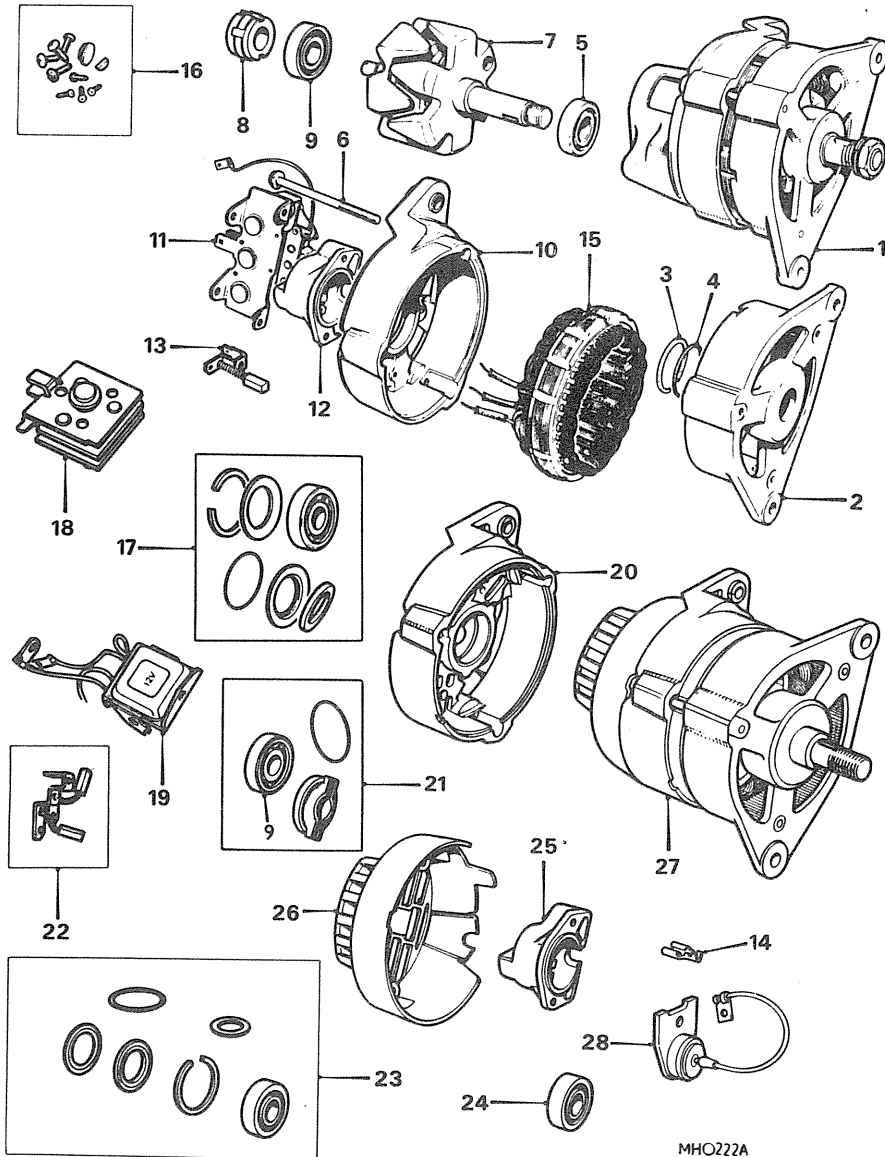
MHC391

Ill. No.	Part No.	DESCRIPTION	Qty.	Change Point	REMARKS
BATTERY FIXINGS					
	NSP	Battery	2		Finished at (C)G-HN5-360300 (C)G-HD5-361000 (C)G-D2D1-2100 Use when Lucas type battery is fitted. Not V8.
1	2K 8645	Screw-terminal	4		
2	AHH 6353	Clamp-battery(9-plate)	2		
3	AHH 7109	Clamp-battery(11-plate)	2		
4	AHH 5169	Packing-clamp	2		
5	BHH 198	Bolt-battery	4		(C)G-HN5-360301 TO 410000 (C)G-HD5-361001 TO 410000 (C)G-D2D1-2101 TO 2903 3" wide-supplied in multiples of feet.
	NSP	Battery	1		
1	2K 8645	Screw-terminal	2		
	34G 2065	Clamp	1		
	37H 3743	Packing-clamp	A/R		
	BHH 1586	Bolt-battery fixing	2		(C)G-HN3,G-HD3-101 TO 138400 (C)G-HN4-138401 TO 187210 (C)G-HN5-187211 TO 360300 (C)G-HD4-138401 TO 187840 (C)G-HD5-187841 TO 361000 (C)G-D2D1-101 TO 2100 (C)G-HN5-360301 TO 410000 (C)G-HD5-361001 TO 410000 (C)G-D2D1-2101 TO 2903
	FNZ 204	Locknut-9-plate and 11-plate battery	8		
	FNZ 204	Locknut-9-plate battery	8		Not V8
	LNZ 204	Locknut-11-plate battery	4		
	LNZ 204	Locknut	2		(C)G-HN5-360301 TO 410000 (C)G-HD5-361001 TO 410000 (C)G-D2D1-2101 TO 2903
6	AHH 6351	Pad-battery(rubber)	4/2		



MHO39I

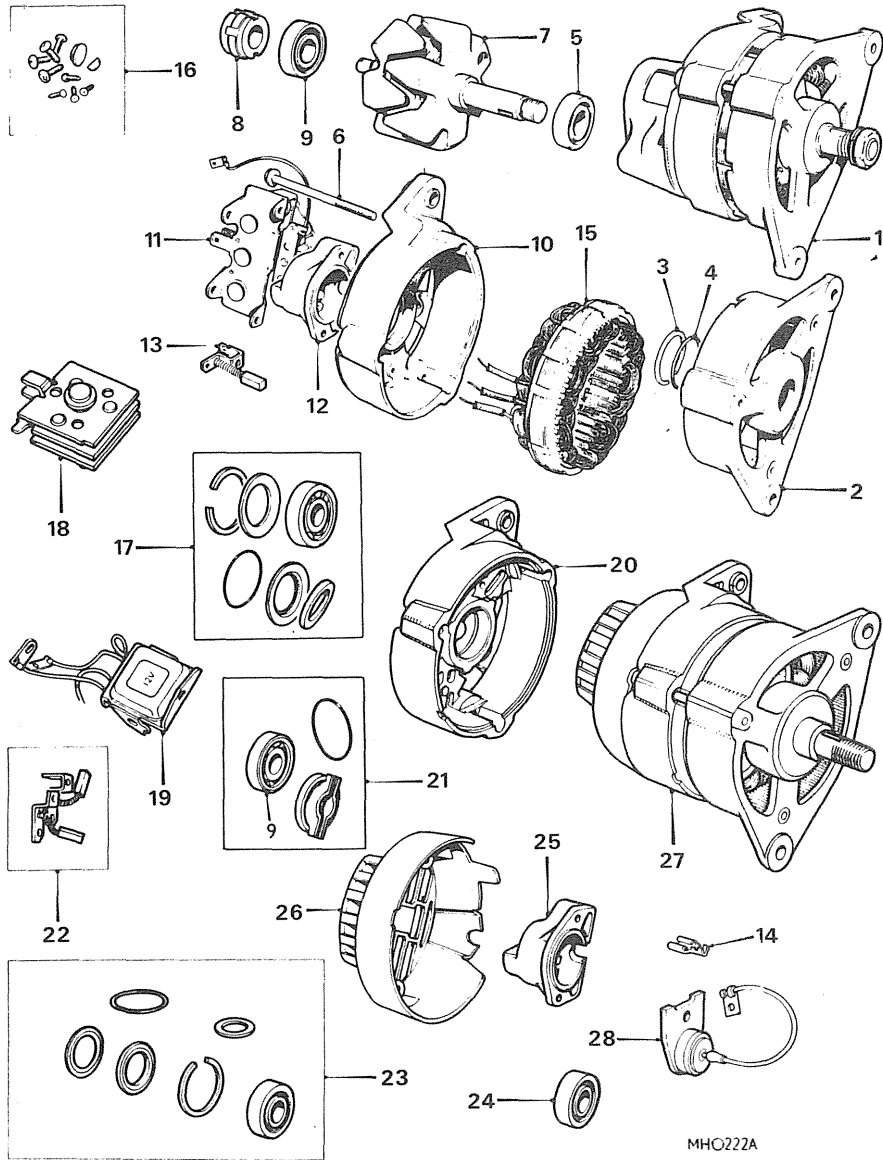
Ill. No.	Part No.	DESCRIPTION	Qty.	Change Point	REMARKS
DYNAMO ASSEMBLY					
	13H 219	DYNAMO ASSEMBLY(22700			
		A TO M).....	NLA		Use BMK 1241
8	GGB 102	Brush.....	1SET		
9	47H 5395	BRACKET ASSEMBLY-			
		COMMUTATOR END.....	1		
10	7H 5390	Bush.....	1		
11	47H 5394	Oiler.....	1		
12	47H 5389	Spring.....	1SET		
13	97H 626	Bearing-drive end.....	1		
14	27H 7647	Bracket-drive end.....	1		
15	WKN 404	Key.....	1		
	FNN 207	Nut.....	1		
	LWZ 207	Washer-spring.....	1		
16	37H 4310	Armature.....	1		
17	37H 6787	Coil-field.....	1SET		(E)18G/U/101
18	37H 3752	Terminal.....	1		TO 31121
19	17H 5217	Bolt-through-fixing.....	2		(E)18GA/U/101
20	37H 6836	Sundry parts.....	1SET		TO 17500
	BMK 1241	DYNAMO ASSEMBLY(22715).....	1		(E)18GB/U/101
14	27H 7647	Bracket-drive end.....	1		TO 91200
	37H 6834	Kit-bearing retention.....	1		
13	97H 626	Bearing-drive end.....	1		
16	37H 4310	Armature.....	1		
	37H 6787	Kit-field coil.....	1		
	37H 3752	Kit-terminal.....	1		
9	47H 5395	BRACKET ASSEMBLY			
		COMMUTATOR END.....	1		
	47H 5394	Oiler.....	1		
10	7H 5390	Bearing-bush.....	1		
12	47H 5389	Spring-brush.....	1		
8	GGB 102	Brush set.....	1SET		
19	17H 5217	Bolt-through-fixing.....	2		
20	37H 6836	Kit-sundry parts.....	1SET		



Ill. No.	Part No.	DESCRIPTION	Qty.	Change Point	REMARKS
----------	----------	-------------	------	--------------	---------

ALTERNATOR-18GD,18GF

1	37H 2245	ALTERNATOR(16AC)(LESS FAN)	1		
2	37H 2246	BRACKET-DRIVE END	1		
3	18G 8663	Kit-drive end bearing	1		
4	27H 3832	'O' ring-oil sealing	1		
5	97H 626	Bearing	1		
6	37H 2247	Bolt-through-fixing	3		
7	37H 2249	ROTOR ASSEMBLY	1		
8	37H 2250	Slip-ring	1		
9	2H 2599	Bearing	1		(E)18GD/-/101 TO 7000
11	37H 6924	Rectifier	1		(E)18GF/-/101 TO 13650
12	37H 2254	Brush box	1		
13	37H 2255	Brush-spring and Lucar	1		
14	37H 2256	Connector-Lucar	NLA		
15	37H 2257	Stator	1		
16	37H 2258	Sundry parts set	1		



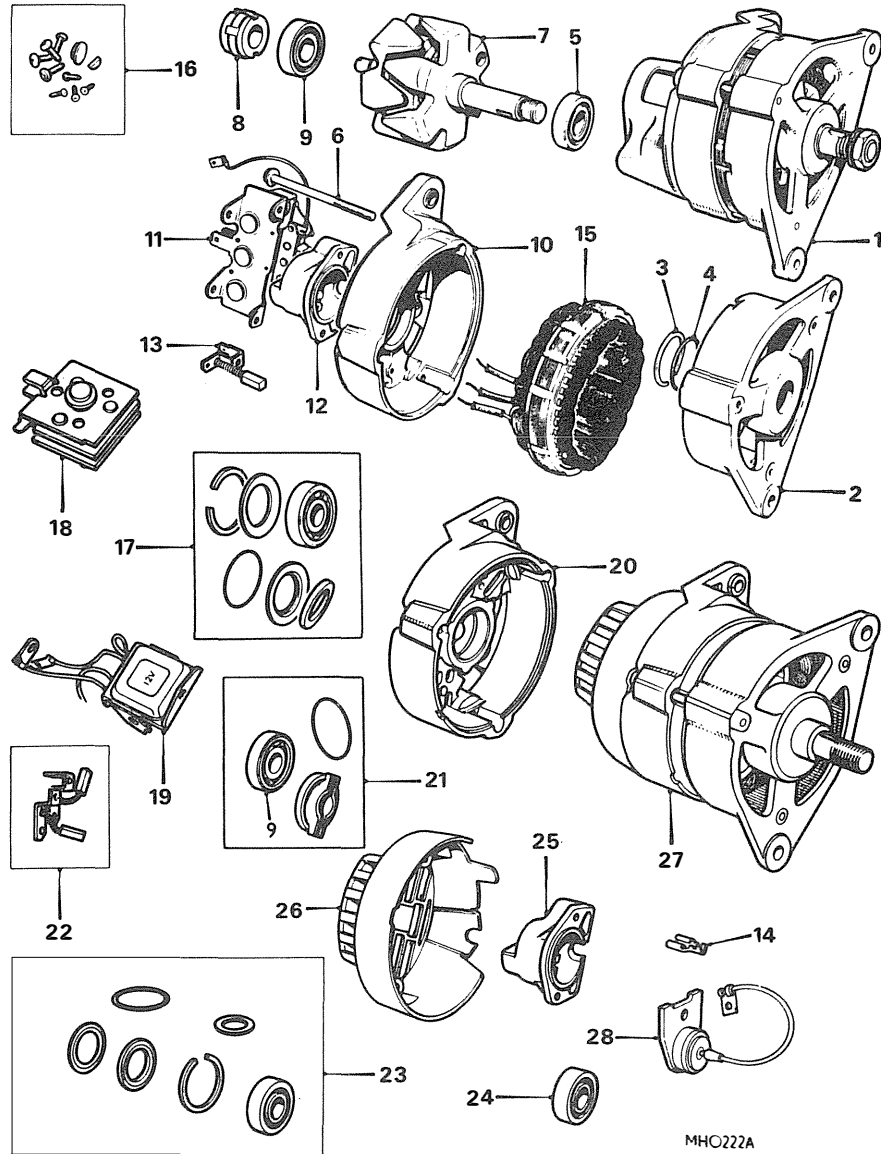
Ill. No.	Part No.	DESCRIPTION	Qty.	Change Point	REMARKS
----------	----------	-------------	------	--------------	---------

ALTERNATOR-18GG,18GH,18GJ,18GK AND 18V-NOT V8

		ALTERNATOR(16ACR)(LESS FAN).....NLA			Use 37H 6938
17	8G 8619	Bearing kit drive end			
		bracket.....1			
		ROTOR ASSEMBLY.....1			
7	37H 4196	Slip-ring.....1			
8	37H 2250	Stator.....1			
15	37H 2257	Rectifier.....1			
18	37H 6594	Regulator 8TR.....1			Use prior to 37H 6938
19	37H 6911	Bracket-slip-ring end(with liner).....NLA			
20	37H 4330	Bearing kit-slip-ring end			
		bracket.....1			
6	37H 2247	Bolt-through-fixing.....3			
22	37H 4199	Brush set.....1			
16	37H 2258	Sundry parts set.....1			
17	37H 6938	ALTERNATOR ASSEMBLY(16ACR) (LESS FAN)-NEGATIVE EARTH.....1			
19	37H 6911	Regulator.....1			(E)18GK/We/h10280 TO(+)
18	37H 6924	Rectifier.....1			(E)18GK/RWe/H10497 TO(+)
23	18G 8619	Kit-bearing drive end bracket-35mm.....NLA			(E)18GG/RWe/H21804 TO(+)
23	37H 4779	Kit-bearing drive end bracket-42mm.....1			TO(+)
7	37H 4196	ROTOR ASSEMBLY.....1			(E)18GG/We/H21285 TO(+)
8	37H 2250	Ring-slip.....1			TO(+)
21	18G 8620	Kit-bearing-slip ring end.....1			(E)18GG/Rc/h758 TO(+)
24	47H 5431	Bearing.....1			TO(+)
20	37H 4330	Bracket-slip-ring end.....1			(E)18V/581/H101 TO 2101
15	37H 2257	Stator.....1			(E)18V/581/L101 TO(+)
25	37H 6915	BRUSH BOX ASSEMBLY.....1			(E)18V/582/H101 TO 4229
22	37H 4199	Brush set.....1			(E)18V/582/L101 TO(+)
6	37H 2247	Bolt-fixing.....3			(E)18V/583/H101 TO 303
26	37H 6922	Cover.....1			(E)18V/584/L101 TO 12913
16	37H 2258	Kit-sundry parts.....1			(E)18V/585/L101 TO 1829

MHC222A

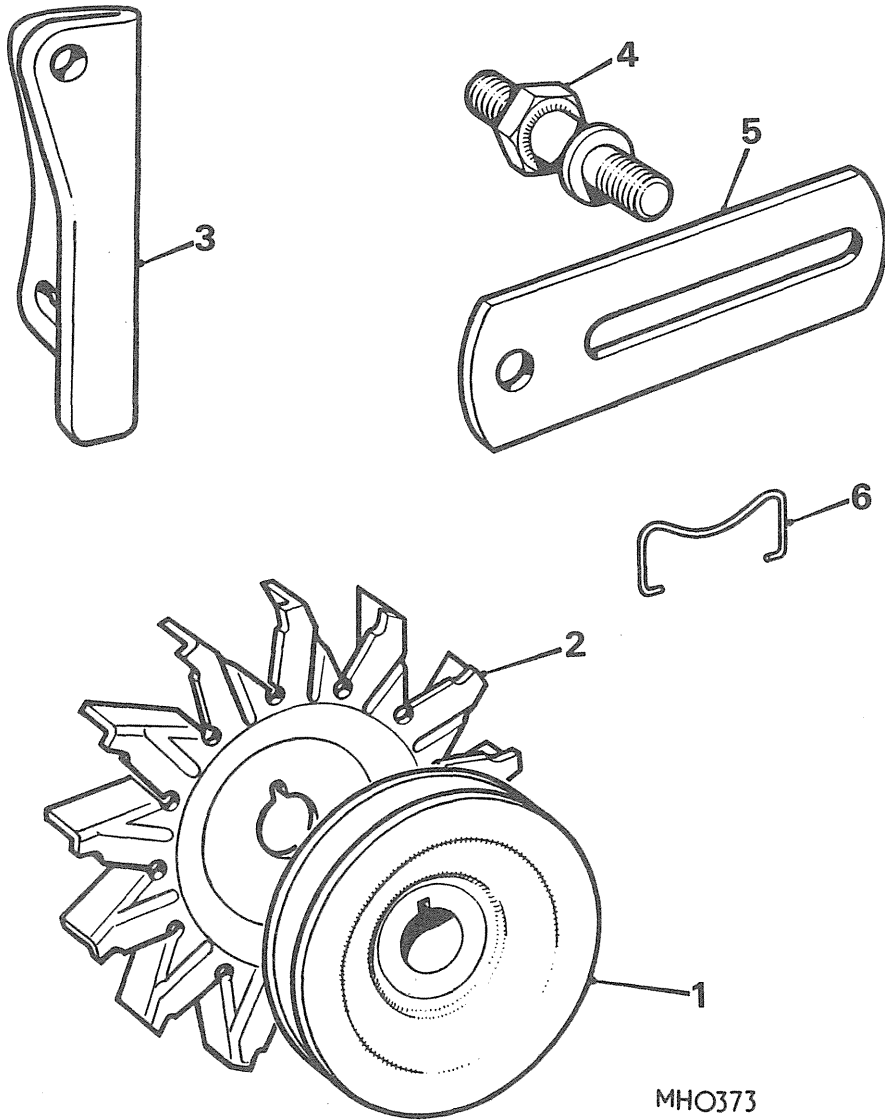
(+) Change point not available



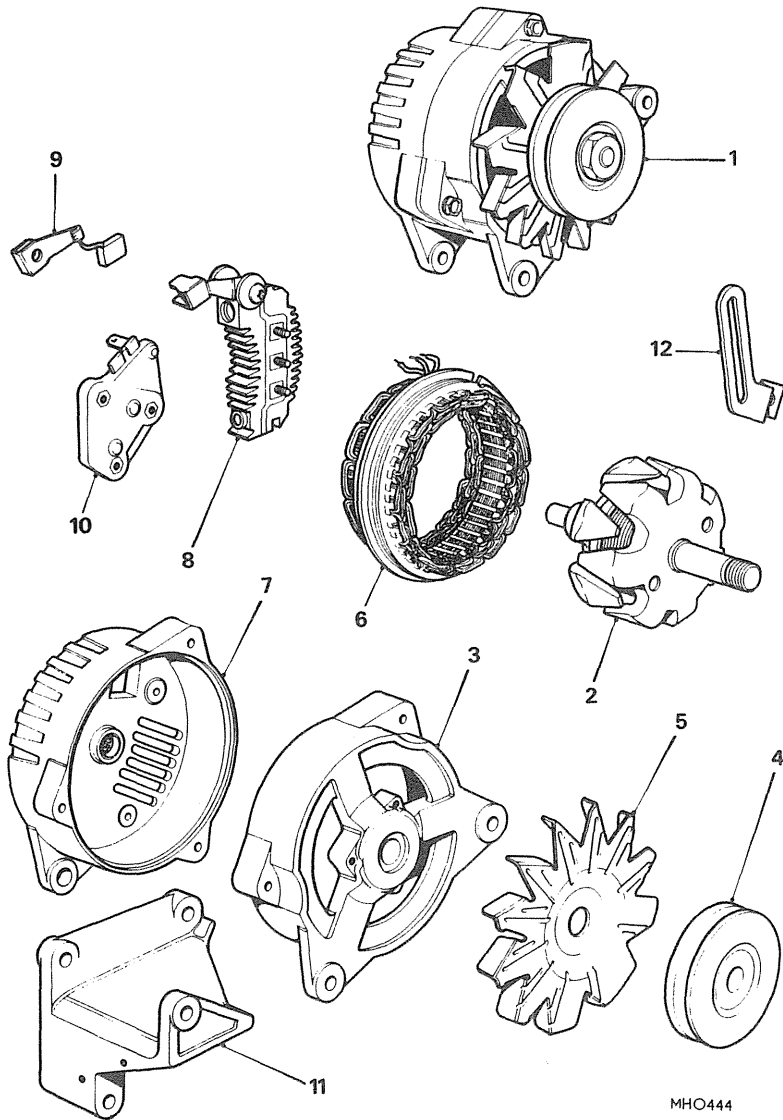
Ill. No.	Part No.	DESCRIPTION	Qty.	Change Point	REMARKS
ALTERNATOR-18GG,18GH,18GJ,18GK AND 18V-NOT V8-continued					
27	37H 7503	ALTERNATOR ASSEMBLY(16ACR) (LESS FAN)-NEGATIVE EARTH	1		(E)18V/581/H2102 TO 4418
19	37H 7516	Regulator	1		(E)18V/581/L(+)
18	37H 6913	Rectifier	1		TO 1039
23	18G 8619	Kit-drive end bracket.....	1		(E)18V/582/H4230
7	37H 4196	Rotor	1		TO 13177
21	18G 8620	Kit-bearing-slip ring end.....	1		(E)18V/582/L(+)
15	37H 2257	Stator	1		TO 1224
22	37H 4199	Brush	1SET		(E)18V/583/H304
28	37H 7517	Device-surge protection	1		TO 604
16	37H 2258	Kit-sundry parts.....	1		(E)18V/584Z/L 12914 TO(+) (E)18V/585Z/L 1829 TO(+) (E)18V/672Z/L 101 TO 6183 (E)18V/673Z/L 101 TO 777 (E)18V/581/H4419
27	37H 7959	ALTERNATOR ASSEMBLY-(17ACR) (LESS FAN).....	1	NLA	ON
19	37H 7964	Regulator	1		(E)18V/581/L 1040 ON
18	37H 7965	Rectifier	1		(E)18V/582/H13178
21	18G 8620	Kit-bearing-slip-ring end	1		ON
23	18G 8619	Kit-bearing-drive end	1		(E)18V/582L 1225 ON
7	37H 6024	Rotor	1		(E)18V/583/H605
15	37H 7966	Stator	1		TO(+)
22	37H 4199	Brush set.....	1		(E)18V/672Z/L6184
28	37H 7517	Device-surge protection	1		ON
16	37H 2258	Kit-sundry parts.....	1		(E)18V/673Z/L778 ON
27	37H 8208	ALTERNATOR ASSEMBLY(17ACR) (LESS FAN).....	1		
19	37H 7964	Regulator	1		
18	37H 7965	Rectifier.....	1		
23	18G 8619	Kit-bearing-drive end	1		
7	37H 6024	Rotor	1		
21	18G 8620	Kit-bearing-slip ring end	1		
15	37H 6023	Stator	1		
22	37H 4199	Brush set.....	1		
16	37H 2258	Kit-sundry parts.....	1		
28	37H 7517	Device-surge protection	1		
29	37H 7963 AAU 1013	Capacitor-suppression	1		
ALTERNATOR ASSEMBLY-(18ACR)					
19	37H 7961	LESS FAN	1		
18	37H 7962	Regulator	1		
23	37H 4779	Rectifier.....	1		
7	37H 7253	Kit-bearing-drive end	1		
8	37H 2250	Rotor	1		
21	18G 8620	Ring-slip.....	1		
15	37H 7254	Kit-bearing-slip ring end.....	1		
25	37H 6915	Stator	1		
22	GGB 504	BRUSH BOX ASSEMBLY	1		
16	37H 2258	Brush set.....	1		
28	37H 7517	Kit-sundry parts.....	1		
29	37H 7963	Device-surge protection	1		
		Capacitor-suppression	1		

Use 37H 8208.

MHO222A



Ill. No.	Part No.	DESCRIPTION	Qty.	Change Point	REMARKS
ALTERNATOR FIXINGS-NOT V8					
1	12H 2516	Pulley-alternator	1		(E)18GD/-/101 TO 7000 (E)18GF/-/101 TO 13650 (E)18GG/-/101 TO(+) (E)18GH/-/101 TO(+) (E)18GK/-/101 TO(+) (E)18V/-/101 ON
2	12H 2515	Fan-alternator	1		
3	12H 2517	Bracket	1		
	HZS 506	Screw-bracket to crankcase	2		
	LWZ 305	Washer-spring	2		
	HBZ 514	Bolt-alternator to water pump	1		
	LNZ 205	Nut	1		
	PWZ 105	Washer-plain	1		
	HBZ 512	Bolt-alternator to bracket	1		
	LWZ 305	Washer-spring	1		
	LNZ 205	Nut	1		
4	2A 128	Pillar-adjusting link	1		
	LWN 306	Washer-spring	1		
	FNZ 506	Nut	1		
5	2A 497	Link-adjusting	1		
	PWN 106	Washer-plain	1		
	LWN 306	Washer-spring	1		
	LNZ 206	Nut	1		
	SH 505051	Screw	1		
	SH 108181	Screw-link to alternator-8mm	1		
	LWN 305	Washer-spring	1		
6	13H 8163	Clip	1		Use with alter- nator 37H 7503

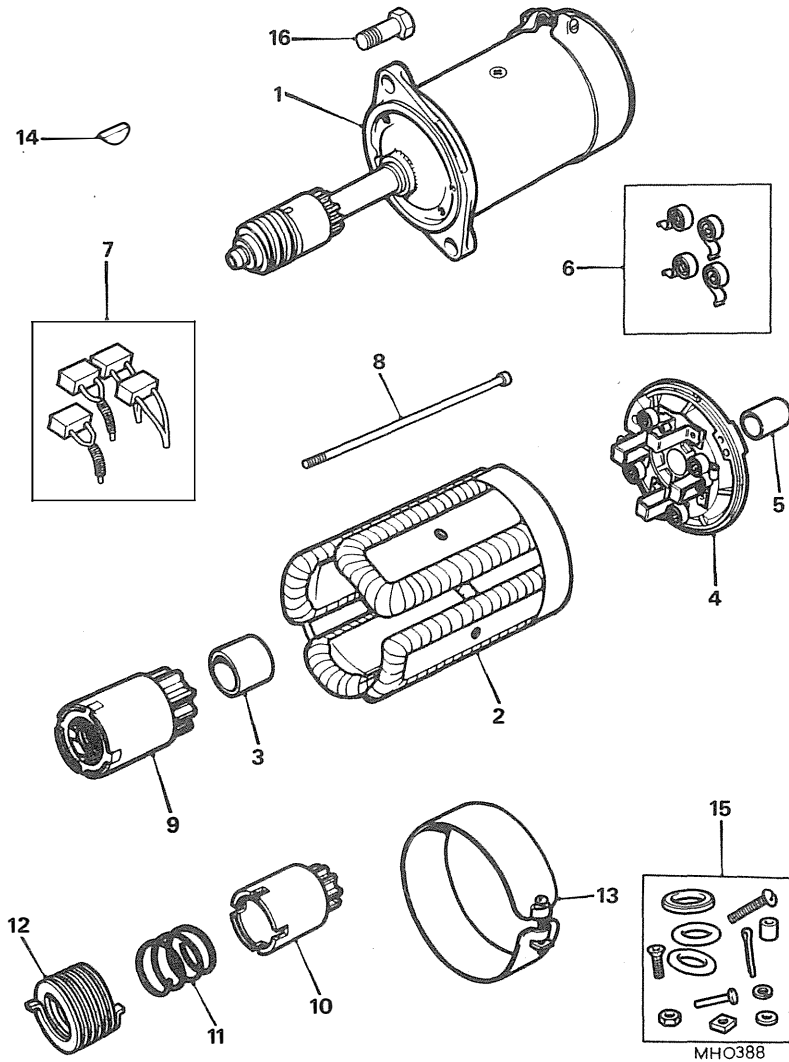


MHO444

III. No.	Part No.	DESCRIPTION	Qty.	Change Point	REMARKS
----------	----------	-------------	------	--------------	---------

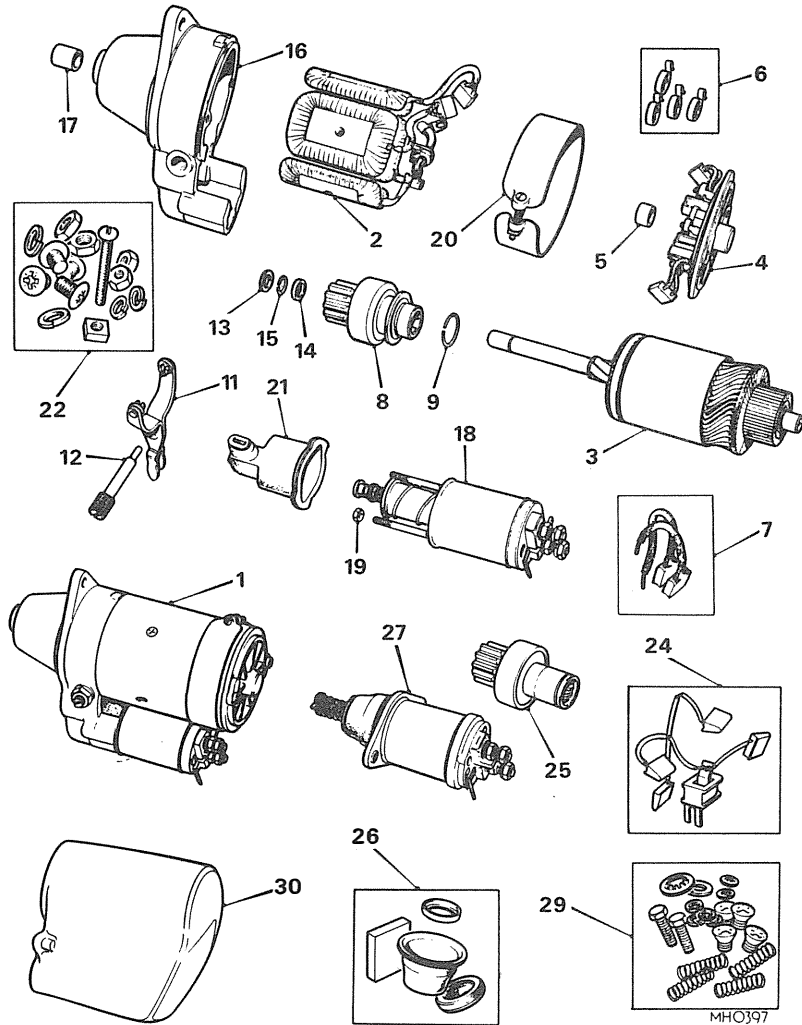
ALTERNATOR AND FIXINGS-V8

1	BHA 5195	ALTERNATOR ASSEMBLY-12 VOLT	1		
2	37H 8009	Rotor	1		
3	37H 8022	Frame-end drive	1		
4	37H 8023	Pulley	1		
5	37H 8012	Fan	1		
6	37H 8013	Stator	1		
7	37H 8014	Frame-slip ring end	1		
8	37H 8015	Rectifier bridge and insulator	1		
9	37H 8016	Brush	2		
10	37H 8017	Regulator	1		
	BHM 7038	Kit-drive end fixing	1		
	BHM 7041	Kit-terminal	1		
	BHM 7043	Kit-alternator fixing	1		
	BHM 7042	Kit-roller bearing	1		
11	602369	Bracket	1		
	BH 506111	Bolt-bracket to head-32mm(1.25")	1		
	BH 505161	Bolt-bracket to head-51mm(2")	1		
	BH 506181	Bolt-bracket to head-57mm(2.25")	1		
	WA 110061	Washer-plain	2		
	WL 600061	Washer-spring	2		
	BH 605121	Bolt-alternator to bracket	1		
	WA 108051	Washer	4		
	NH 605041	Nut	1		
	WC 108051	Washer-plain-between alternator rear face and bracket	1		
12	BHH 997	Link-adjusting	1		
	SH 505071	Bolt-link to alternator	1		
	WL 600051	Washer-spring	1		
	BH 505111	Bolt-link to front cover	1		
	WL 600051	Washer-spring	1		
	WA 108051	Washer-plain	1		
	WL 600051	Washer-spring-alternator fixing	2		



Ill. No.	Part No.	DESCRIPTION	Qty.	Change Point	REMARKS
STARTER-NOT-PRE-ENGAGED-NOT V8					
1	13H 4561	STARTER ASSEMBLY-A AND B.....	1] (E)18G/U/101 TO 31121 (E)18GA/U/101 TO 17500 (E)18GB/U/101 TO H92100 AND L89610	
2	7H 5013	Coil field.....	1SET		
	7H 5010	BRACKET-DRIVE END.....	NLA		
3	7H 5011	Bush.....	1		
4	7H 5498	BRACKET ASSEMBLY- COMMUTATOR END.....	1		
5	7H 5004	Bush.....	1		
6	7H 5005	Spring-brush tension-A.....	1SET		
6	27H 2291	Spring-brush tension-B TO F.....	1SET		
7	GSB 103	Brush.....	1SET		
9	37H 4289	DRIVE ASSEMBLY-A TO B.....	1		
10	7H 6940	Pinion and barrel.....	1		
11	27H 7817	Spring-anti-drift.....	1		
12	27H 7818	Spring-main.....	1		
13	7H 5000	COVER ASSEMBLY-BAND.....	1		
	AJD 1252 Z	Screw.....	1		
14	WKN 505	Key.....	1		
15	7H 5156	Sundry parts.....	1SET		
16	53K 149	Screw.....	2		
	LWZ 306	Washer-spring.....	2		

NOTE. References must be made to the suffix letter of the manufacturers' Part No. stamped on the starter casing to ensure ordering of correct component parts.



Ill. No.	Part No.	DESCRIPTION	Qty.	Change Point	REMARKS
----------	----------	-------------	------	--------------	---------

STARTER-PRE-ENGAGED-NOT V8

1	13H 6130	STARTER ASSEMBLY 25660	1		
2	37H 3051	Coils-field	1		
3	37H 1888	Armature	1		
4	37H 1889	BRACKET-COMMUTATOR END	1		
5	47H 5340	Bush	1		
6	27H 2291	Spring-brush tension	1SET		
7	GSB 103	Brushes	2STS		
8	37H 1890	DRIVE ASSEMBLY	1		
9	37H 5375	Ring-retaining-bush	NLA		
11	37H 2552	Lever-pinion engaging	1		(E)18GD/-/101 TO
12	37H 2551	Bolt-pivot	1		7000
13	37H 3053	Washer-thrust-drive end	1		(E)18GF/-/101 TO
14	37H 2553	Collar-thrust	1		13650
15	37H 2555	Ring-retaining	NLA		(E)18GG/-/101 TO(+)
16	37H 1887	BRACKET-FIXING	1		(E)18GH/-/101 TO(+)
					Use with 13H 5362
16	37H 4795	BRACKET-FIXING	1		(E)18GJ/-/101 TO(+)
					Use with 13H 6130
17	27H 8177	Bushing-bearing	1		
18	37H 4792	Solenoid	1		
19	27H 6593	Nut-solenoid fixing	2		
20	37H 4794	Cover-band	NLA		
21	37H 4793	Bellows	1		
					Use with 13H 6130
22	37H 5028	Sundry parts	1SET		
	HCZ 613	Screw-fixing	1		
	HCZ 608	Screw-fixing	1		
	LWZ 306	Washer-spring	2		
1	13H 7844	STARTER ASSEMBLY	1		
24	37H 6865	Kit-brush	1		
25	37H 7349	Kit-drive(roller clutch)	1		
26	37H 6869	Kit-sealing	1		
27	37H 7350	Solenoid	1		(E)18V/-/101 ON
29	37H 6872	Kit-sundry parts	NLA		
	HCZ 613	Screw-fixing	1		
	HCZ 608	Screw-fixing	1		
	LWZ 306	Washer-spring	2		
30	BHH 790	Cover-solenoid	1		(C)G-HN5,G-HD5-284721 ON

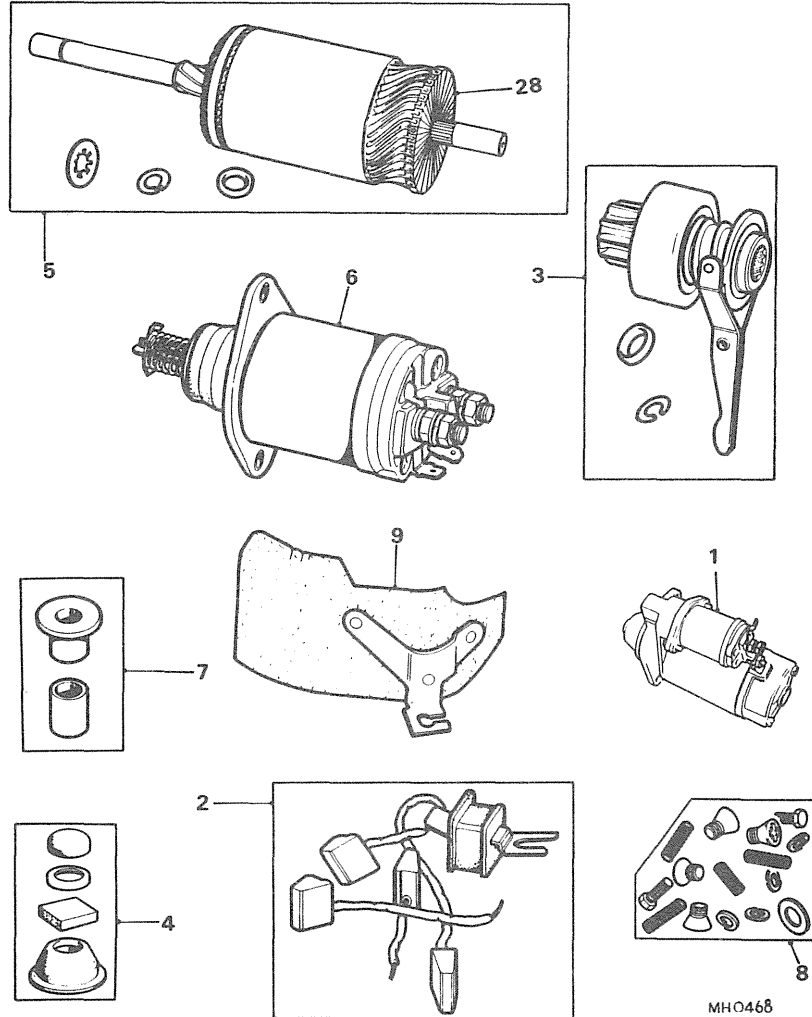
(+) Change point not available

III. No.	Part No.	DESCRIPTION	Qty.	Change Point	REMARKS
----------	----------	-------------	------	--------------	---------

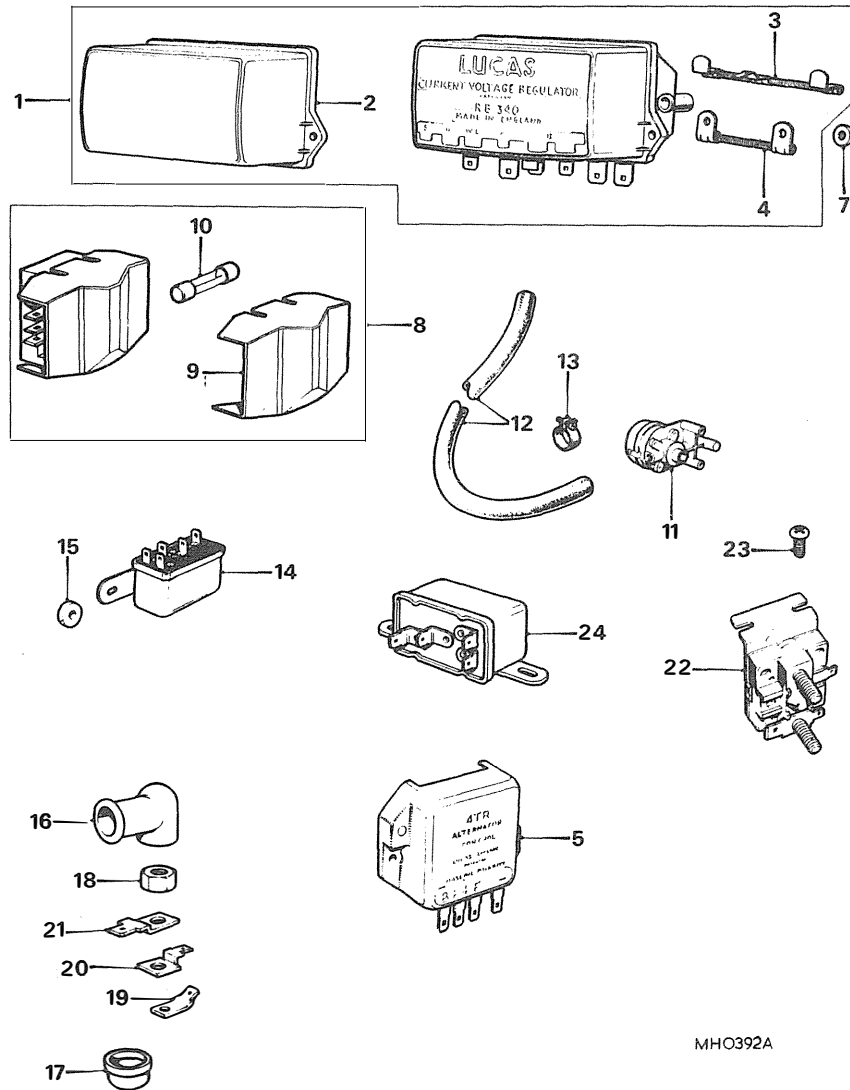
STARTER-PRE-ENGAGED-V8

1	BHA 5223	STARTER ASSEMBLY	1		
2	GSB 111	Kit-brush	1		
3	37H 8048	Kit-drive-roller clutch.....	1		
4	37H 8047	Kit-sealing.....	1		
5	37H 6870	Kit-armature	1		
	37H 7916	Kit-field coil.....	1		
6	37H 8049	Solenoid	1		
7	37H 6864	Kit-bush	1		
8	37H 6872	Kit-sundry parts.....	NLA		
	90611504	Bolt-starter to block	2		
	WL 600061	Washer-spring	2		
9	BHH 1260	Shield-heat-starter	1		

Type 3M 100 PE



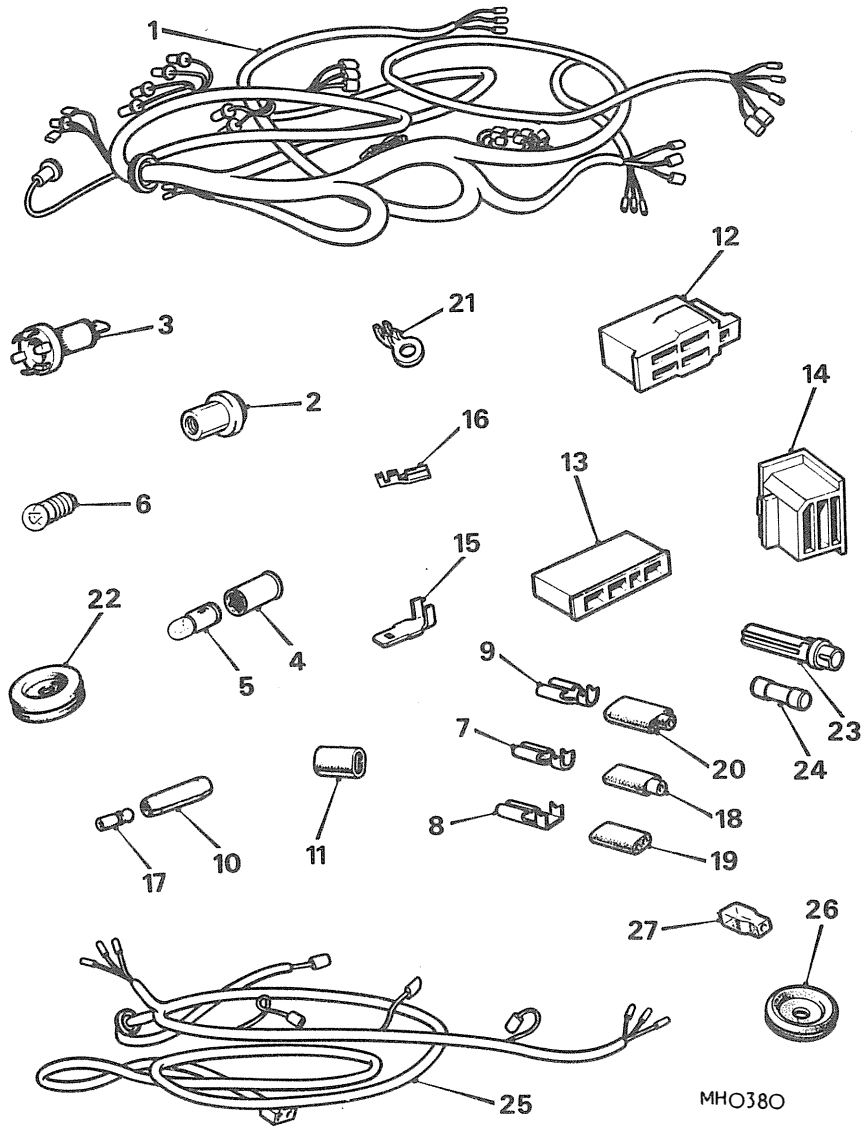
MHO468



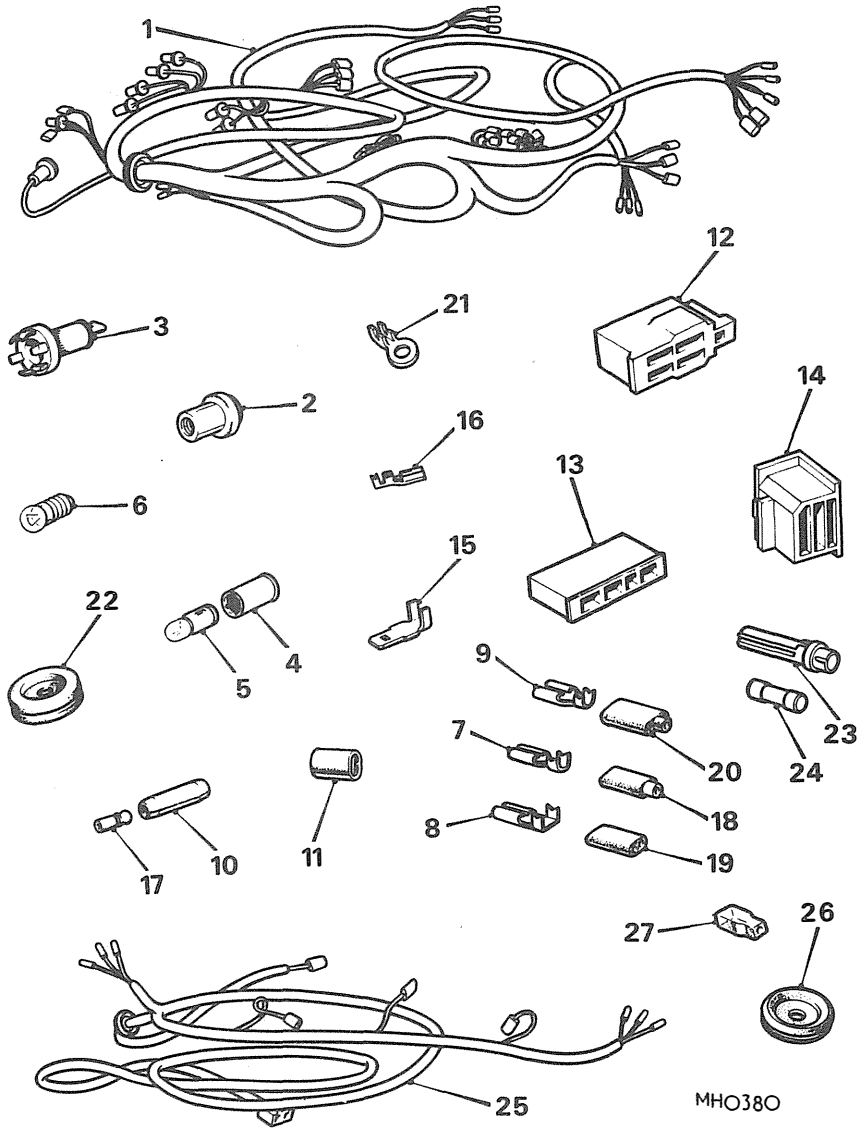
MHO392A

Ill. No.	Part No.	DESCRIPTION	Qty.	Change Point	REMARKS	
CONTROL BOX,FUSEBOX,OVERDRIVE RELAY AND STARTER SOLENOID						
1	37H 6902	BOX ASSEMBLY-CONTROL.....	NLA	Use GEU 605		
	GEU 605	BOX ASSEMBLY-CONTROL.....	1			
2	57H 5398	Cover.....	1			(C)G-HN3,G-HD3-101 TO 138400
3	37H 4211	Resistance-55 ohms.....	1			
4	37H 6927	Resistance-60 ohms.....	NLA			
5	BHA 4789	Box-control.....	1			(C)G-HN4,G-HD4-138401 TO 158230
7	13H 2910	Screw.....	2			
8	37H 3374	Nut.....	3			
9	47H 5212	FUSEBOX ASSEMBLY.....	1			Use prior to 37H 4727
10	GFS 35	Cover.....	1			(C)G-HN5-187211 ON
8	37H 4727	Fuse-35amp.....	4	(C)G-HD5-187841 ON		
10	GFS 35	Fusebox.....	1	(C)G-D2D1-101 ON		
		Fuse-35amp.....	1			
	PMZ 310	Screw-blanking.....	1	When overdrive is fitted		
	LWZ 203	Washer-spring.....	1			
11	BHA 4282	Switch-overdrive vacuum.....	1			
	PMZ 320	Screw.....	2			
	LWZ 203	Washer-spring.....	2			
12	AHH 6747	Hose-vacuum.....	1			
13	88G 308	Clip-hose.....	2			
14	BMK 685	Relay-overdrive.....	1			(C)G-HN3,G-HD3-101 TO 138400
	PMZ 310	Screw.....	2			
	LWZ 203	Washer-spring.....	2			
	PWZ 103	Washer-plain.....	2			
15	AHH 6751	Spacer.....	1	To service switch ASSEMBLY BCA 4501,NOW USE SWITCH BMK 1727		
16	8G 548	Bootee-solenoid switch.....	2			
	AJD 8012 Z	Nut.....	2			
	LWZ 203	Washer-spring.....	2			
17	27H 5576	Cap(rubber).....	1			
18	13H 4485	Nut-contact screw.....	NLA			
	WL 600051	Washer-spring.....	4			
19	47H 5160	Connector-Lucar-starter push.....	NLA			
20	47H 5158	Connector-Lucar-fusebox.....	1			
21	21K 9068	Connector-Lucar-control box.....	1			
	LWZ 203	Washer-spring.....	2			
	PMZ 306	Screw.....	2			
22	BMK 1727	Switch-starter solenoid.....	1	(C)G-HN5-187211 TO 395331		
18	13H 4485	Nut.....	NLA			
	PWZ 103	Washer-plain.....	2			
23	PMZ 308	Screw.....	2			
24	563417	Relay-starter.....	1			
	PTZ 804	Screw-relay.....	2			
	PWZ 103	Washer-plain.....	2			
		Relay-starter.....	1			(C)G-HD5-187841 TO 394780
		Screw-relay.....	1			(C)G-D2D1-101 TO 2741
		Screw-relay.....	1			(C)G-HN5-395332 ON
		Washer-plain.....	1	(C)G-HD5-394781 ON		
		Washer-plain.....	1	(C)G-D2D1-2742 ON		
14	BMK 685	Relay.....	1	(C)G-HN5-360301 ON		
		Relay.....	1	(C)G-HD5-361001 ON		
		Relay.....	1	(C)G-D2D1-2101 ON		
	13H 9440	Resistor-ballast-electronic ignition \$ (unleaded fuel).....	1	Not USA types.		
	13H 9475	Relay-battery cut off.....	1			
		Relay-battery cut off.....	1	(C)G-HN5-386601 ON	USA and Canada	

\$ This item is subject to safety regulations.

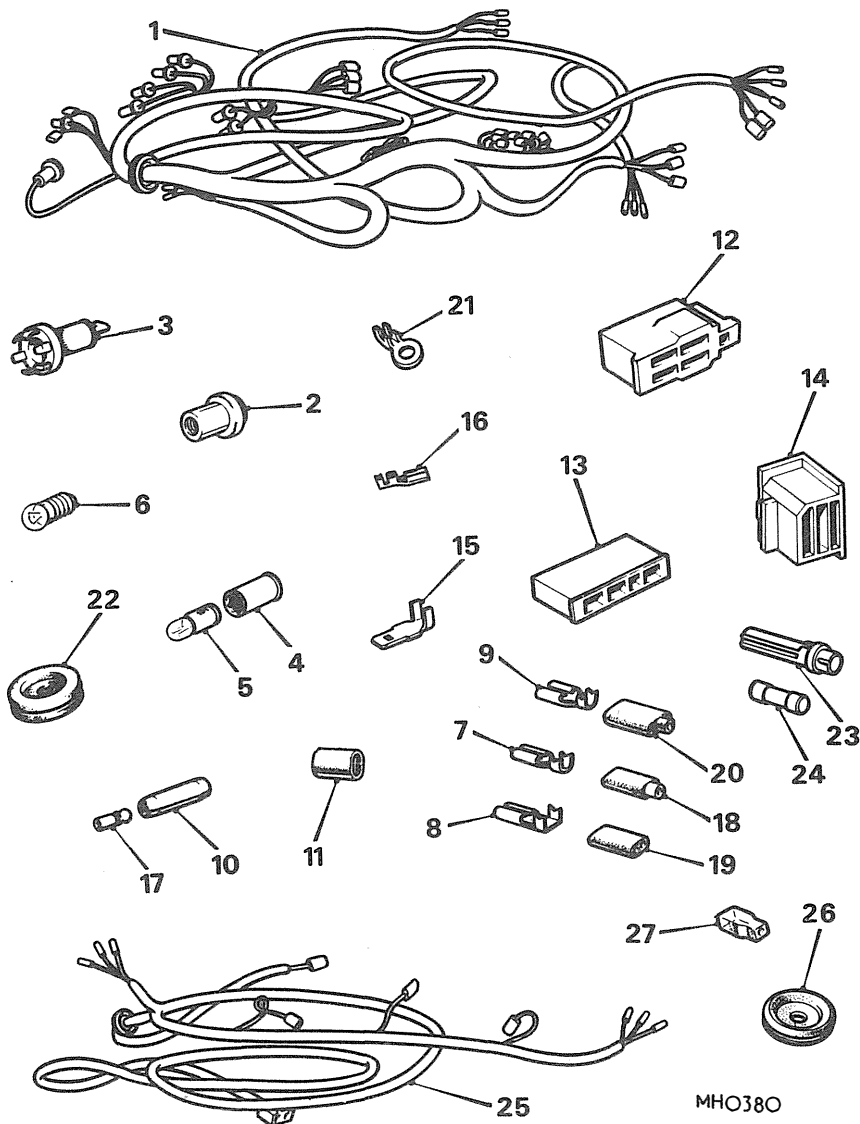


Ill. No.	Part No.	DESCRIPTION	Qty.	Change Point	REMARKS
MAIN HARNESS, CONNECTIONS AND BULB HOLDERS					
CABLE ASSEMBLY					
1	BHA 4344	Main harness.....	1	(C)G-HN3-101 TO 48765 approx.	
1	AHH 7379	Main harness.....	NLA	(C)G-HN3-48766 approx. TO 82655	
1	AHH 8778	Main harness-not N.America.....	1	(C)G-HN4,G-HD4- 138401 TO 153877 Canada, 138401 TO 158230 except N.America	
1	AHH 8777	Main harness-N.America	1	(C)G-HN4,G-HD4- 138401 USA, 153878 TO 158230 Canada.	
1	AHH 9157	Main harness-not N.America.....	1	(C)G-HN4,G-HD4- 158210 TO 187210	}
1	AHH 9156	Main harness-N.America	1	(Tourer) 187840(GT)	
1	BHH 137	Main harness-not N.America.....	1	(C)G-HN5, 187211 TO 219000	}
1	BHH 136	Main harness-N.America and Sweden	NLA	(C)G-HD5, 187841 TO 219000	
1	BHH 382	Main harness-not N.America, Germany or Sweden.....	1	(C)G-HN5-219001 TO 258000	}
1	BHH 381	Main harness-N.America Germany and Sweden.....	1	(C)G-HD5-219001 TO 258000	



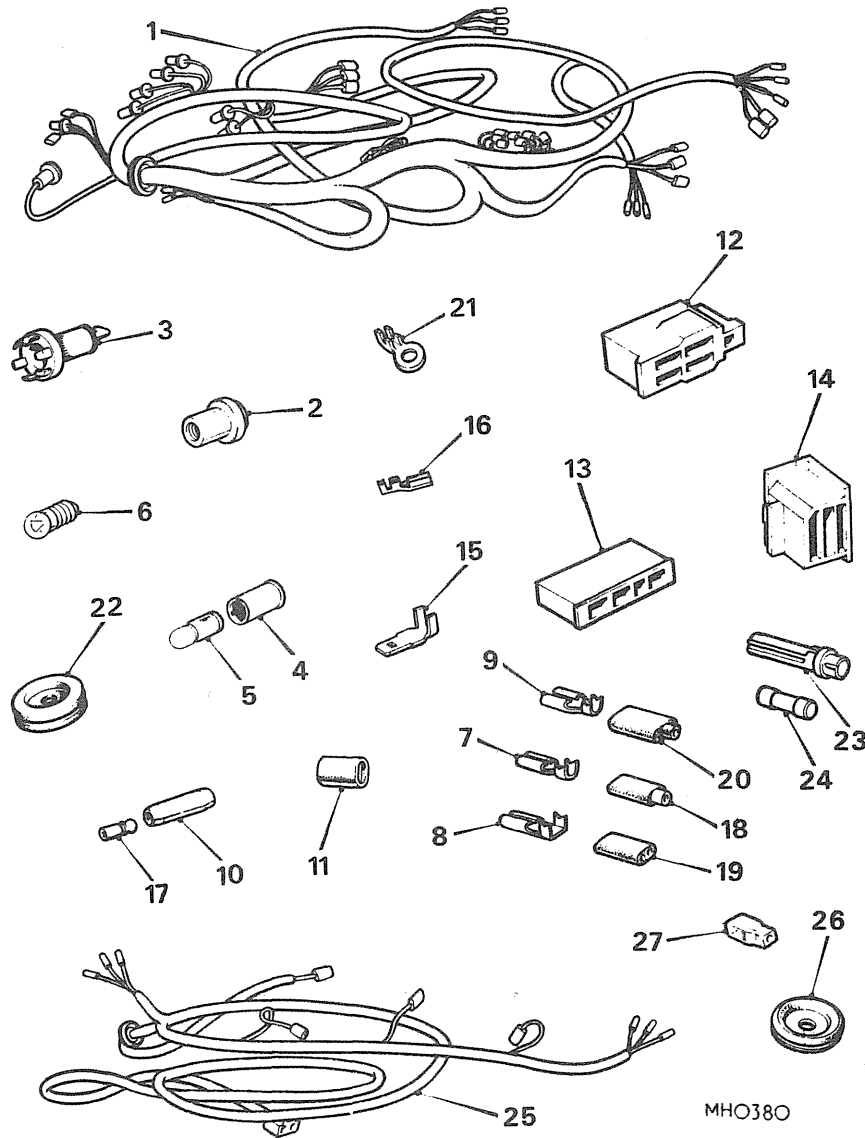
Ill. No.	Part No.	DESCRIPTION	Qty.	Change Point	REMARKS
MAIN HARNESS, CONNECTIONS AND BULB HOLDERS-continued					
CABLE ASSEMBLY					
1	BHH 644	Main harness.....	1	(C)G-HN5-258001 TO 294250	Except N.America, Germany and Sweden
1	BHH 1128	Main harness.....	1	(C)G-HD5-258001 TO 296000	
1	BHH 1495	Main harness.....	1	(C)G-HN5-294251 TO 328100	
1	BHH 1223	Main harness-V8.....	1	(C)G-HD5-296001 TO 328800	
1	BHH 643	Main harness-Canada, Germany, Sweden and USA.....	1	(C)G-HN5-328101 TO 360300	
				(C)G-HD5-328801 TO 361000	
				(C)G-D2D1-101 ON	
1	BHH 740	Main harness-USA.....	1	(C)G-HN5-258001 TO 294250-not USA	
1	BHH 723	Main harness-USA.....	1	(C)G-HD5-258001 TO 296000-not USA	
1	BHH 1127	Main harness-Sweden, Germany and Norway.....	1	(C)G-HN5-258001 TO 267579-USA	
1	BHH 1127	Main harness-USA and Canada.....	1	(C)G-HD5-258001 TO 268280-USA	
1	BHH 1353	Main harness-USA and Canada \$.....	1	(C)G-HN5-267580 TO 280480	
1	BHH 1749	Main-harness-RHD.....	1	(C)G-HD5-268281 TO 280480	
				(C)G-HN5-280481 TO 294250	
				(C)G-HD5-280481 TO 296000	
				(C)G-HN5-294251 TO 360300	
				(C)G-HD5-296001 TO 361000	
				(C)G-HN5-294251 TO 328100	
				(C)G-HD5-296001 TO 328800	
				(C)G-HN5-328101 TO 360300	
				(C)G-HD5-328801 TO 361000	
				(C)G-HN5-360301 ON	
				(C)G-HD5-361001 ON	

\$ This item is subject to safety regulations.



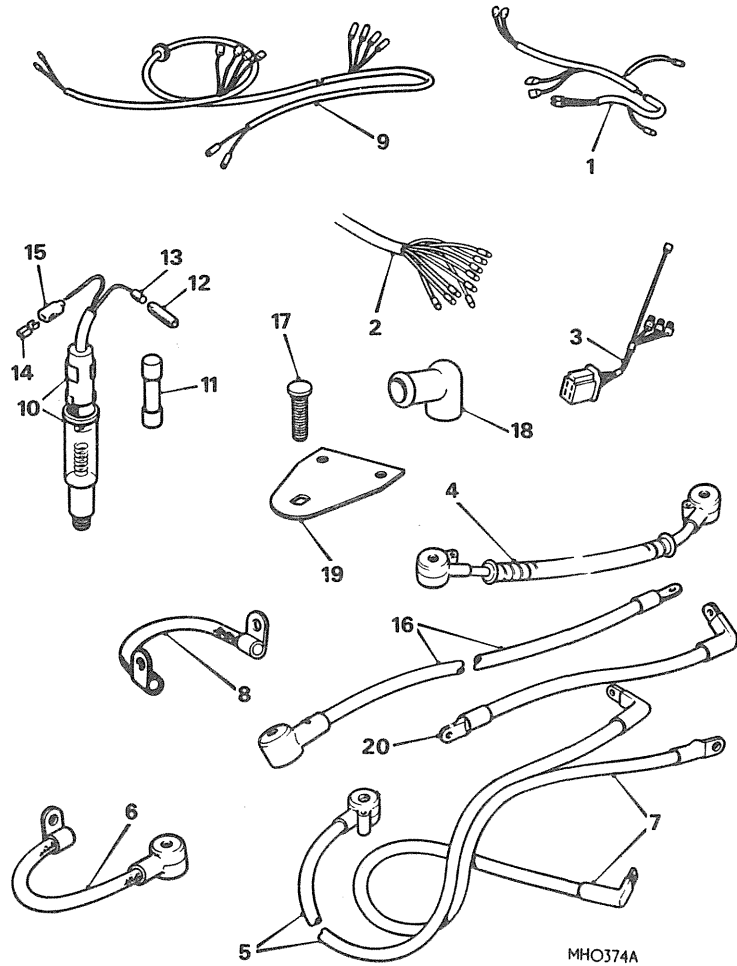
Ill. No.	Part No.	DESCRIPTION	Qty.	Change Point	REMARKS
MAIN HARNESS-CONNECTIONS AND BULB HOLDERS-continued					
CABLE ASSEMBLY					
1	BHH 1759	Main harness-LHD	1	(C)G-HN5-360301 TO 386600] Except USA types
1	BHH 1939	Main harness-LHD	1	(C)G-HD5-361001 TO 386600	
1	BHH 1750	Main harness-USA and Canada \$	1	(C)G-HN5,GHD5-386601 ON	
1	BHH 1745	Main harness-USA types \$	1	(C)G-HN5-360301 TO 368081] Except California.
1	BHH 1804	Main harness-USA types \$	1	(C)G-HD5-361001 TO 367803	
1	BHH 1803	Main harness-USA types \$	1	(C)G-HN5-368082 TO 372612	
1	BHH 1921	Main harness-USA only	1	(C)G-HN5-372613 TO 386600] California only.
1	BHH 1979	Main harness-Canada only	1	(C)G-HN5-372613 TO 386600	
2	13H 1926	Holder-bulb	A/R	(C)-HN5-386601 ON] Unleaded fuel Leaded fuel
3	13H 1923	Holder-bulb	A/R		
4	13H 1925	Holder-bulb	A/R		
5	GLB 281	Bulb(bayonet type)	A/R		
6	GLB 987	Bulb(screw type)	A/R		
CONNECTOR					
7	47H 5496	Socket-single(17.5amp)	A/R		
8	RTC 220	Socket-double(17.5amp)	A/R		
9	47H 5419	Socket-single(35amp)	A/R		
10	104618	Snap-single	A/R		
11	RTC 603	Snap-double	A/R		
12	BMK 1409	Moulded-5-way	A/R		
13	BMK 1398	Female	A/R		
14	13H 2055	Female(17.5amp)	A/R		
15	BHA 4552	Blade	A/R		
16	13H 2050	Lucar	A/R		
17	3632	Nipple-connector	A/R		
18	511269	Insulator-single(17.5amp)	A/R		
19	5L 287	Insulator-double(17.5amp)	A/R		
20	515399	Insulator-single(35amp)	A/R		
21	17H 5287	Eyelet-4.76mm(.1875")	NLA		
22	2H 2065	Grommet	1		
23	7H 6978	Holder-fuse'in line'	A/R		
24	GFS 35	Fuse	A/R		

\$ This item is subject to safety regulations.

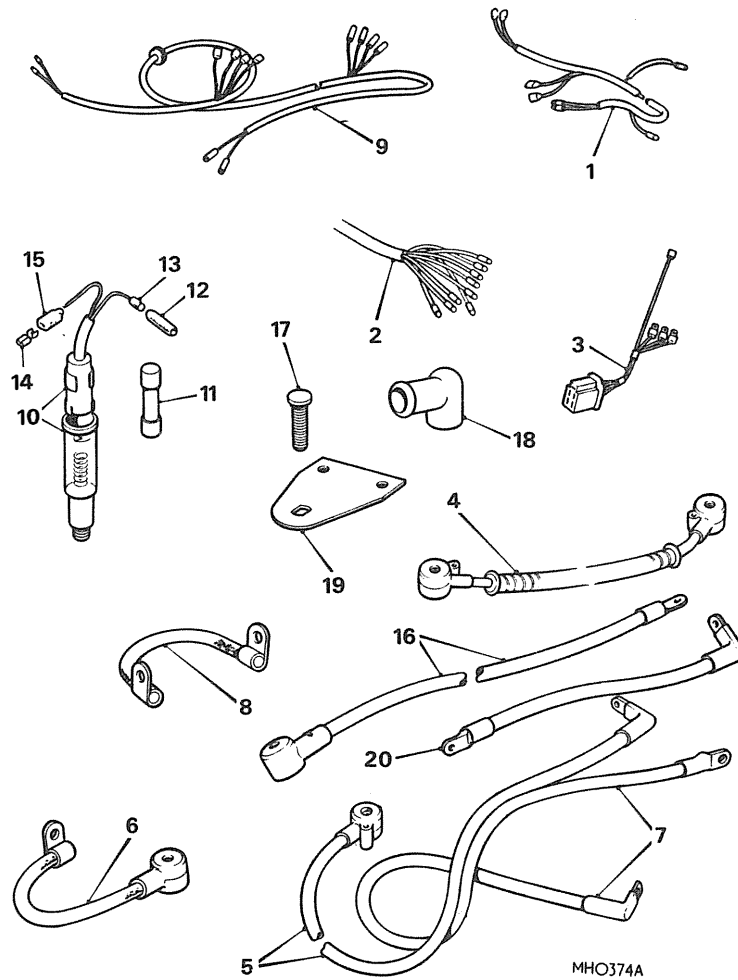


Ill. No.	Part No.	DESCRIPTION	Qty.	Change Point	REMARKS
BODY AND BOOT HARNESS					
CABLE ASSEMBLY-BODY AND BOOT HARNESS					
25	AHH 8779	Tourer.....	1	(C)G-HN4,G-HD4-138401 TO 187210 (Tourer)187840(GT)] Except N.America
25	AHH 8780	GT.....	1		
25	BHH 140	Tourer.....	NLA	(C)G-HN5-187211 TO 219000] N.America
25	BHH 141	GT.....	1		
25	BHH 138	Tourer.....	1	(C)G-HD5-187841 TO 219000] N.America
25	BHH 139	GT.....	NLA		
25	BHH 386	Tourer.....	1	(C)G-HN5-219001 TO 360300] Except N.America.
25	BHH 1739	Tourer.....	1		
25	BHH 385	GT and V8.....	1	(C)G-HN5-360301 ON (C)G-HD5-219001 TO 361000] Except N.America.
25	BHH 1742	GT and V8.....	1		
25	BHH 384	Tourer.....	1	(C)G-HD5-361001 ON (C)G-D2D1-2101 ON] N.America
25	BHH 383	GT.....	1		
25	BHH 724	Tourer.....	1	(C)G-HN5-219001 TO 267579] N.America
25	BHH 725	GT.....	1		
25	BHH 1343	Tourer.....	1	(C)G-HD5-219001 TO 268280] N.America
25	BHH 1739	Tourer.....	1		
25	BHH 1342	GT.....	1	(C)G-HN5-267580 TO 328100] N.America
25	BHH 1741	GT.....	NLA		
25	BHH 1741	GT.....	NLA	(C)G-HD5-268281 TO 328800] N.America
25	BHH 1739	Tourer.....	1		
25	BHH 1342	GT.....	1	(C)G-HN5-328101 TO 360300] N.America
25	BHH 1741	GT.....	NLA		
25	BHH 1741	GT.....	NLA	(C)G-HN5-360301 ON (C)G-HD5-328801 TO 361000] N.America
25	BHH 1741	GT.....	NLA		
26	AHH 9493	Grommet.....	1	(C)G-HD5-361001 TO(+)] N.America
7	47H 5496	Connector-Lucar-single-17.5amp.....	A/R		
18	511269	Sleeve-insulating.....	A/R	(C)G-HN4-138401 TO 187210] N.America
13	BMK 1398	Connector-Lucar-6amp.....	A/R		
10	104618	Connector-snap-single.....	A/R	(C)G-HN5-187211 ON (C)G-HD4-138401 TO 187840] N.America
11	RTC 603	Connector-snap-double.....	A/R		
17	3632	Nipple.....	A/R	(C)G-HD5-187841 ON (C)G-D2D1-101 ON] N.America
13	37H 2256	Connector-Lucar-6amp.....	NLA		
27	37H 3684	Sleeve-connector.....	A/R	(C)G-HN5-328101 TO 372612] N.America
BHH 1344	Harness-seat belt.....		1		
				(C)G-HD5-328801 TO 367803	

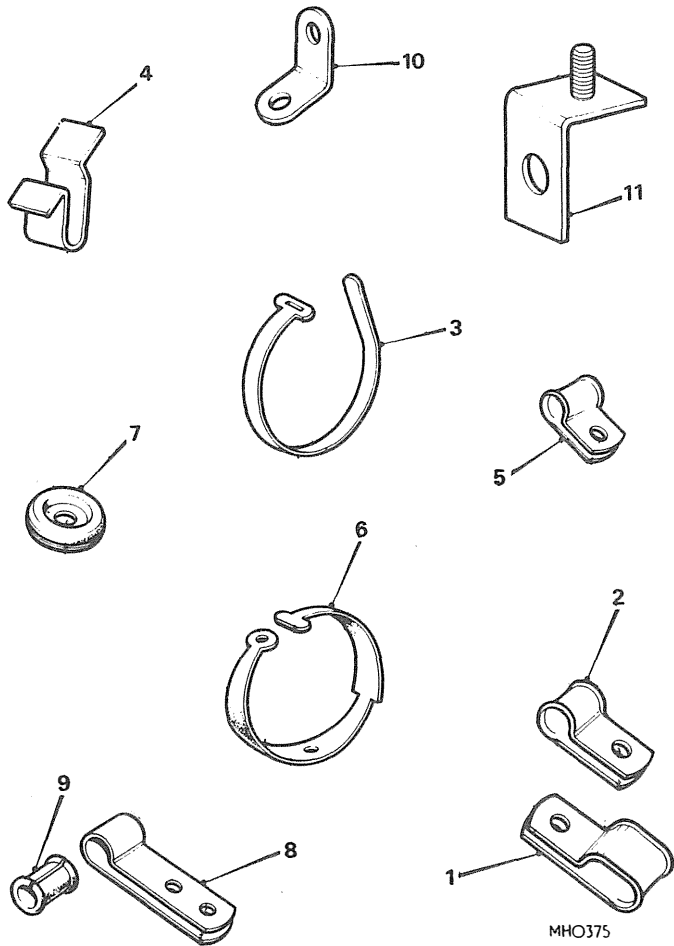
(+) Change point not available.



III. No.	Part No.	DESCRIPTION	Qty.	Change Point	REMARKS
WIRING CABLES.					
1	AHC 258	Cable-overdrive and reverse switch harness engine.....	1	(C)G-HN4-138401 TO 187210 (C)G-HN5-187211 ON (C)G-HD4-138401 TO 187840 (C)G-HD5-187841 ON	Not V8.
2	BHA 4356	Cable-steering-column switch harness	NLA		When steering lock is fitted.
3	AHH 7936	Cable-wiper motor harness-GT.....	NLA	(C)G-HD3-82656 TO 138400	
4	BHA 4348	Cable-battery link	1		
5	AHH 5449	Cable-battery negative to solenoid	NLA	(C)G-HN3,G-HD3-101 TO 138400	
5	AHH 8792	Cable-battery positive to solenoid	1	(C)G-HN4,G-HD4-138401 ON	Not V8.
6	AHH 5448	Cable-battery positive to earth.....	1	(C)G-HN3,G-HD3-101 TO 138400	
6	AHA 8697	Cable-battery negative to earth.....	1	(C)G-HN4-138401 TO 187210 (C)G-HN5-187211 ON (C)G-HD4-138401 TO 187840 (C)G-HD5-187841 ON (C)G-D2D1-101 ON	
16	BHH 1256	Cable-battery positive to terminal stud.....	NLA		V8.
17	BHA 5241	Stud-terminal.....	NLA		
18	8G 548	Cap-insulating.....	2		
19	BHH 1263	Plate-stud	1		
	PWZ 204	Washer-plain.....	2		
	LNZ 204	Nut	2		
20	BHH 1257	Cable-stud to solenoid.....	1		



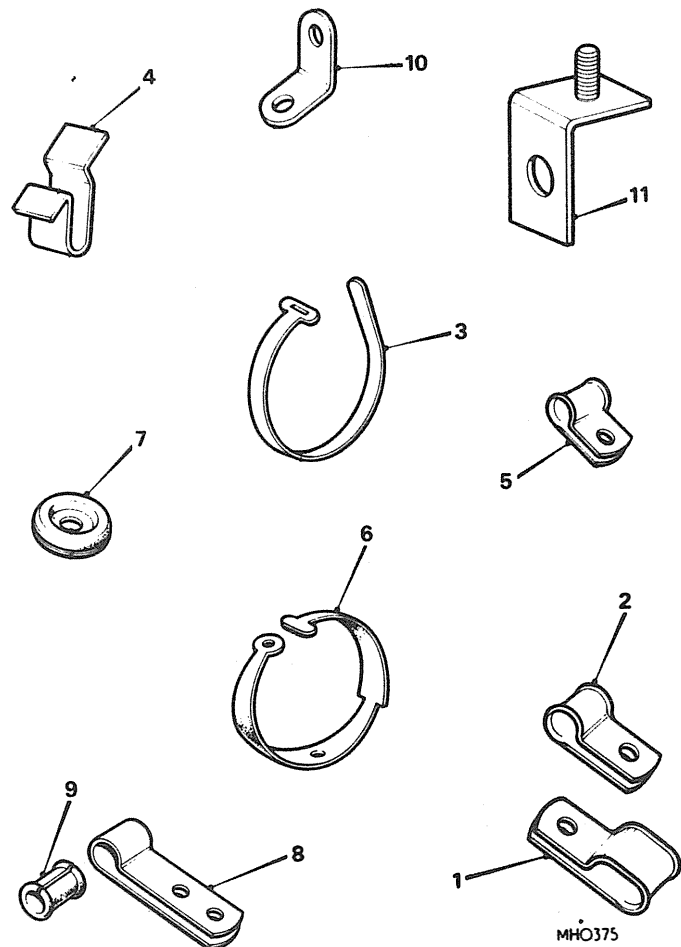
Ill. No.	Part No.	DESCRIPTION	Qty.	Change Point	REMARKS	
WIRING CABLES-continued.						
7	AHA 6280	Cable-solenoid to starter	1		} (C)G-HN5,G-HD5-258001 ON Switzerland (C)G-HN5-328101 -G-HD5-328801 ON Benelux countries	
8	AHH 5452	Cable-engine to earth.....	1			
9	BHH 662	Harness-brake pressure and stop light	1			
	PCR 307	Clip-harness to heat shield.....	1			
	2K 6640	Clip-harness to clutch pipe	1			
	3632	Plug-snap connector on main harness	2			
	RTC 603	Connection.....	A/R			
	104618	Connection.....	A/R			
10	7H 6978	Holder-fuse-'in line'-side and tail lamps	2			} (C)G-HN4,G-HD4-138401 USA 153878 Canada to 187210 (Tourer)187840(GT)
11	27H 5903	Fuse-10amp.....	NLA			
11	GFS 410	Fuse-10amp.....	A/R			
12	104618	Connector-snap.....	2			
13	3632	Plug.....	2		} (C)G-HD3-71933 TO 138400 (C)G-HD4-138401 TO 187840 (C)G-HD5-187841 ON	
10	7H 6978	Holder-fuse-'in line'-heated back light	1			
11	GFS 15	Fuse-15amp.....	1			
11	GFS 25	Fuse-25amp.....	1			
14	47H 5496	Connector-socket single	1			
15	511269	Sleeve	1		Optional extra-GT not V8	



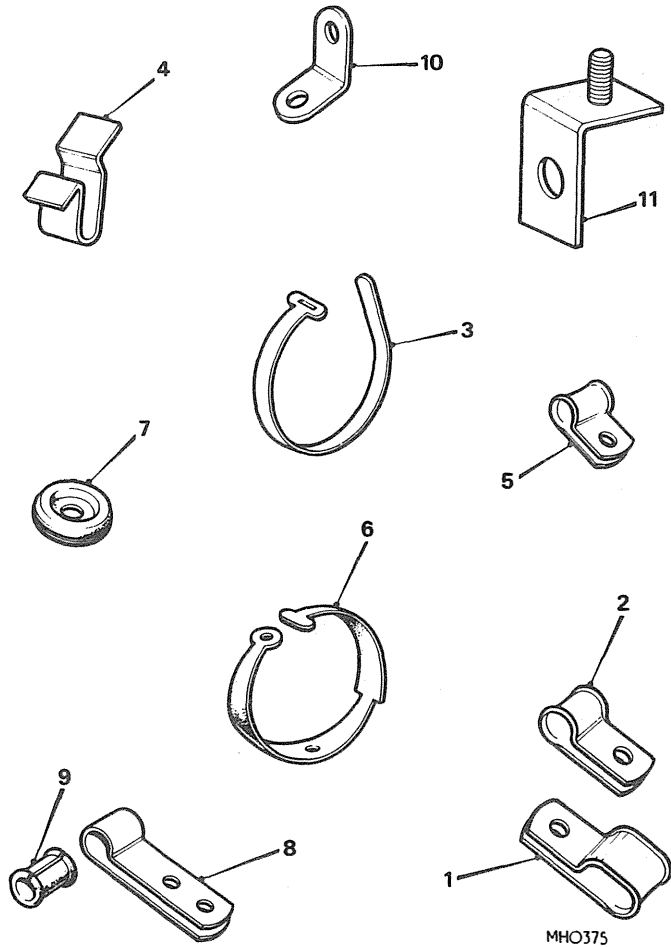
Ill. No.	Part No.	DESCRIPTION	Qty.	Change Point	REMARKS
----------	----------	-------------	------	--------------	---------

WIRING CABLE CLIPS

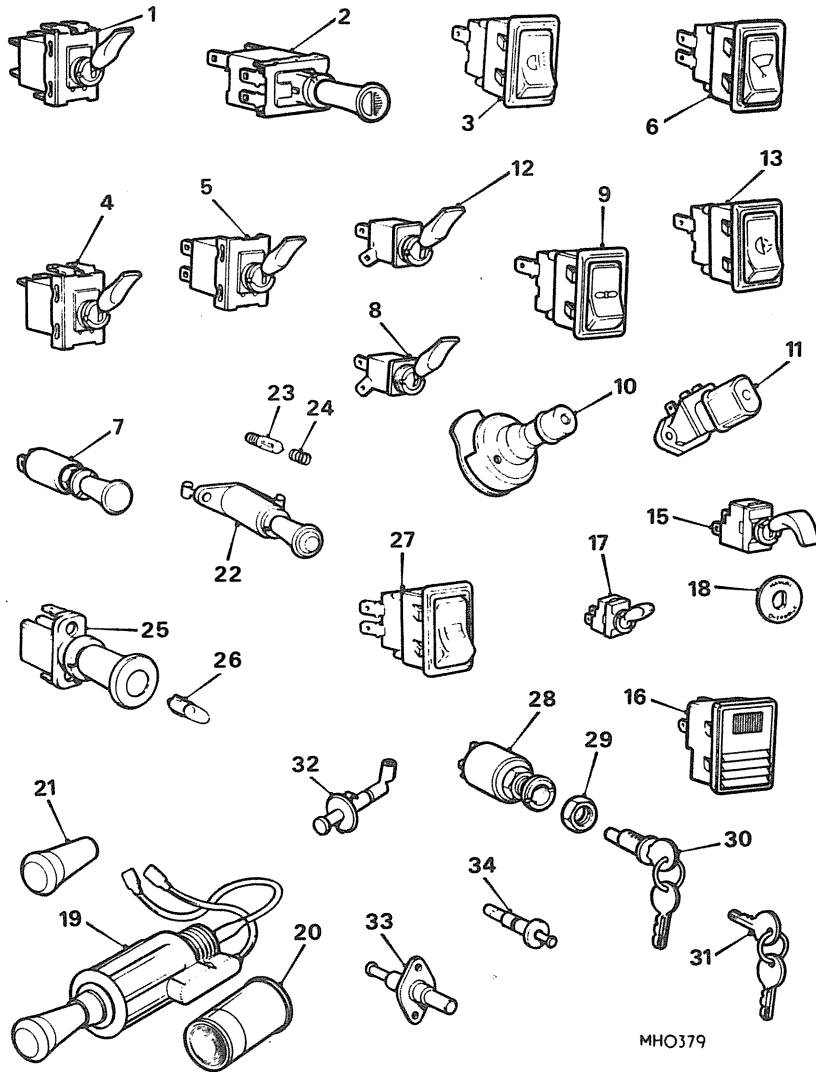
2	AHH 8155	Clip-main harness to bulkhead	NLA		Not V8 Use 2K 6640
3	AHH 7108	Clip-direction indicator switch lead	1		
3	AHH 6728	Clip-main harness to clutch and brake pipe	NLA		
3	AHH 6728	Clip-dipper switch lead-RHD.....	NLA		
4	BMK 385	Clip-tank unit lead to tank.....	3		
3	AHH 6728	Clip-heated back-light cable- GT	NLA		
3	2K 6640	Clip-heated back-light cable- GT	8		
5	AHC 174	Clip-battery cable to retainer on panel	1		
5	BMK 385	Clip-edge	A/R		
	BHA 4233	Clip-edge	A/R		
		CLIP			
5	PCR 407	.25"(6.35mm)cable dia x .22"(5.56mm)fixing hole dia.....	A/R		
5	PCR 409	.25"(6.35mm)cable dia x .28"(7.14mm) fixing hole dia.....	A/R		
5	PCR 507	.31"(7.93mm)cable dia x .22"(5.56mm)fixing hole dia.....	A/R		
5	PCR 511	.31"(7.93mm)cable dia x .69"(8.73mm)fixing hole dia.....	A/R		
5	PCR 607	.38"(9.52mm)cable dia x .22"(5.56mm)fixing hole dia.....	A/R		
5	PCR 709	.44"(11.11mm)cable dia x .28"(7.14mm)fixing hole* dia.....	NLA		
5	PCR 807	.5"(12.7mm)cable dia x .22"(5.56mm)fixing hole dia.....	A/R		
5	PCR 809	.5"(12.7mm)cable dia x .56"(7.14mm)fixing hole dia.....	A/R		
5	PCR 1207	.75"(19mm)cable dia x .22"(5.56mm)fixing hole dia.....	A/R		



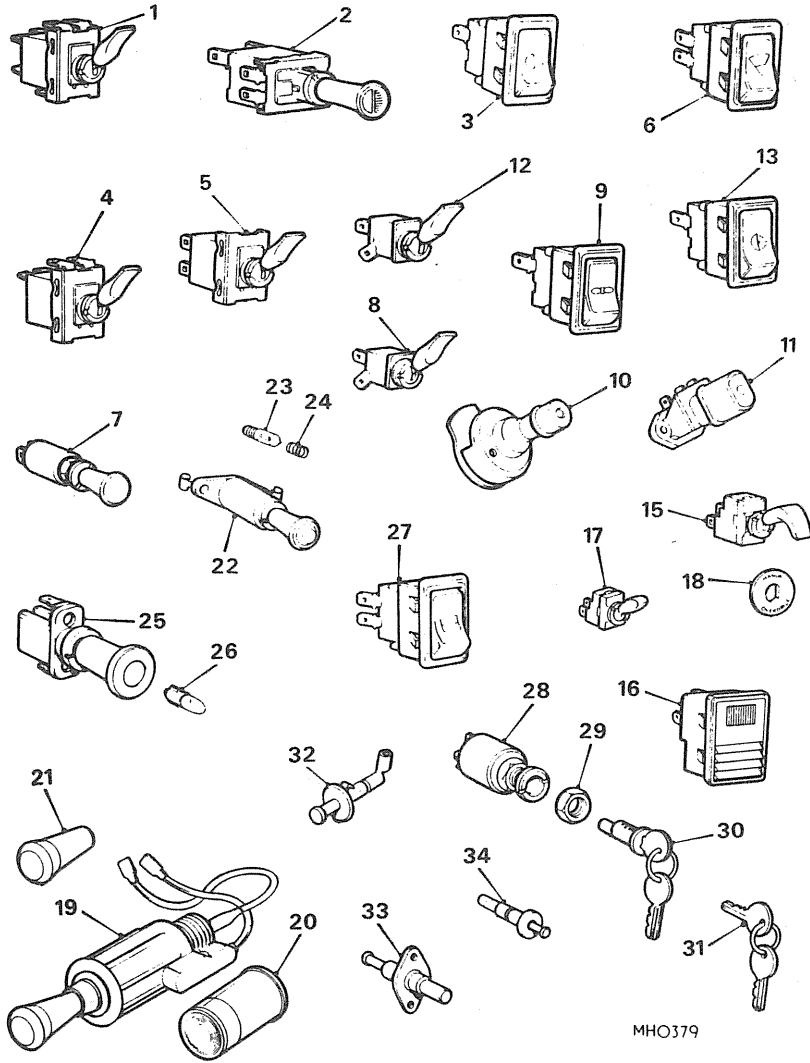
Ill. No.	Part No.	DESCRIPTION	Qty.	Change Point	REMARKS
WIRING CABLE FIXINGS-NOT V8					
	PMZ 308	Screw	1		
	PMZ 306	Screw	1		
	PWZ 103	Washer-plain	1		
	LWZ 203	Washer-spring	2		
	PMZ 306	Screw	4		(C)G-HN3,G-HD3-101 TO 138400
	PMZ 307	Screw	4		(C)G-HN4-138401 TO 187210
					(C)G-HN5-187211 ON
					(C)G-HD4-138401 TO 187840
					(C)G-HD5-187841 ON
	PWZ 103	Washer-plain	4		
	LWZ 203	Washer-spring	4		
	FNZ 103	Nut	4		
	FNZ 103	Nut-LHD	1		
	LWZ 203	Washer-spring-LHD	1		
	FNZ 103	Nut	2		
	LWZ 203	Washer-spring	2		
	HZS 404	Screw	1		
	LWZ 204	Washer-spring	1		
	HZS 504	Screw	1		
	WL 600051	Washer-spring	1		
	FNZ 105	Nut	1		
6	13H 6107	Strap-cable(rubber)	3		
7	14A 7212	Grommet-number plate lamp leads	2		N.America
7	RFR 503	Grommet	A/R		
	PTZ 803	Screw-GT	2		
8	AHH 7178	Clip	NLA		
9	ACH 8529	Ferrule	1		Except N.America
	SH 604061	Screw	1		
	PWZ 104	Washer-plain	1		
	LNZ 204	Nut-lock	1		
10	AHC 579	Bracket-clip to RH of gearbox	1		(C)G-HN4-138401 TO 187210
	LWZ 203	Washer-spring	1		(C)G-HN5-187211 ON
	PWZ 103	Washer-plain	1		(C)G-HD4-138401 TO 187840
11	22H 1303	Bracket-clip to starter motor	1		(C)G-HD5-187841 ON
	PWZ 105	Washer-plain	1		
	LWZ 203	Washer-spring	1		
	PWZ 103	Washer-plain	1		
	PMZ 308	Screw	1		(C)G-HN4-138401, USA, 153878 Canada TO 187210
	LWZ 203	Washer-spring	1		(C)G-HD4-138401 USA, 153878 Canada TO 187840
					(C)G-HN5-187211 ON
					(C)G-HD5-187841 ON



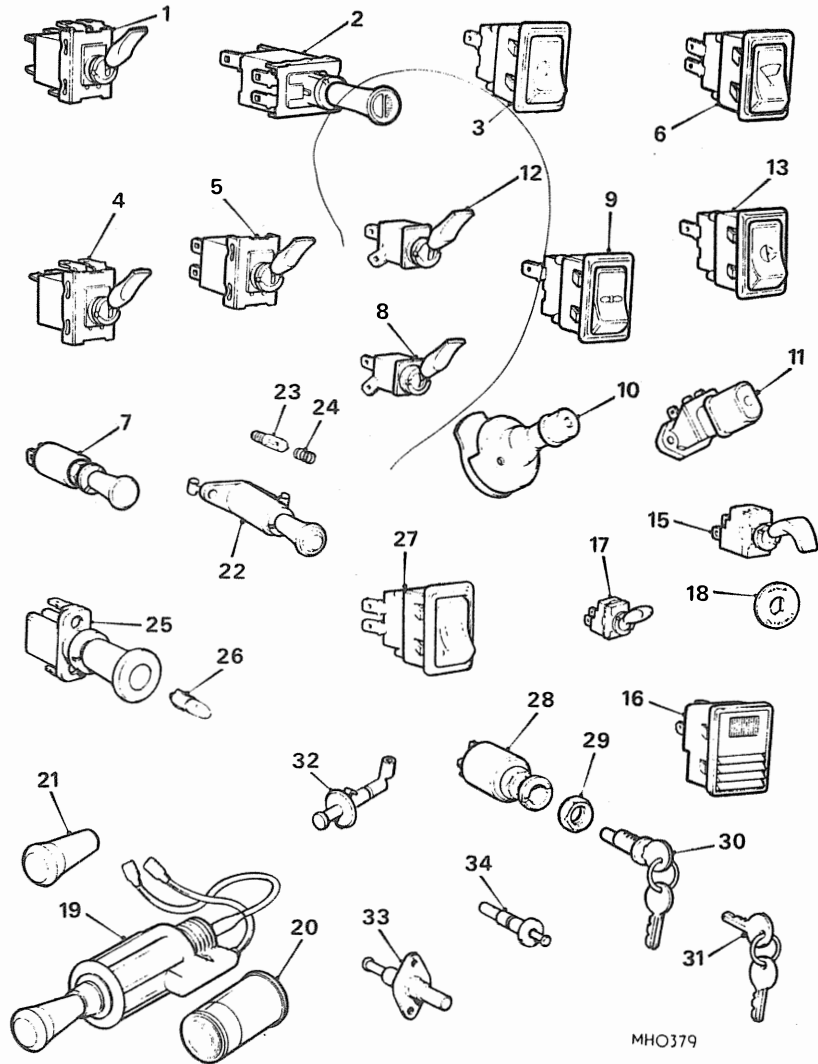
III. No.	Part No.	DESCRIPTION	Qty.	Change Point	REMARKS
WIRING CABLE FIXINGS-V8					
6	13H 6107	Strap-switch leads	1		
	HZS 404	Screw-battery link cable clip to heelboard	1		
	LWZ 204	Washer-spring	1		
	HZS 504	Screw-battery negative cable to battery box bracket	1		
	WL 600051	Washer-spring	1		
	FNZ 105	Nut	1		
	PPZ 308	Screw-harness clips to RH valance	2		
	PMZ 312	Screw-harness clips to RH valance	2		
	LWZ 203	Washer-spring	5		
	ANZ 103	Nut	1		
	LWZ 204	Washer-spring	1		
FNZ 104	Nut-harness clip to floor stud	1			
LWZ 203	Washer-spring	2			
ANZ 103	Nut-harness clip to tail lamp stud	2			
10	22B 512	Bracket-gearbox harness clip	1		
	AHC 579	Bracket-gearbox harness clip	1		
	HZS 404	Screw	1		
	LNZ 104	Nut	1		
	LNZ 203	Nut	1		



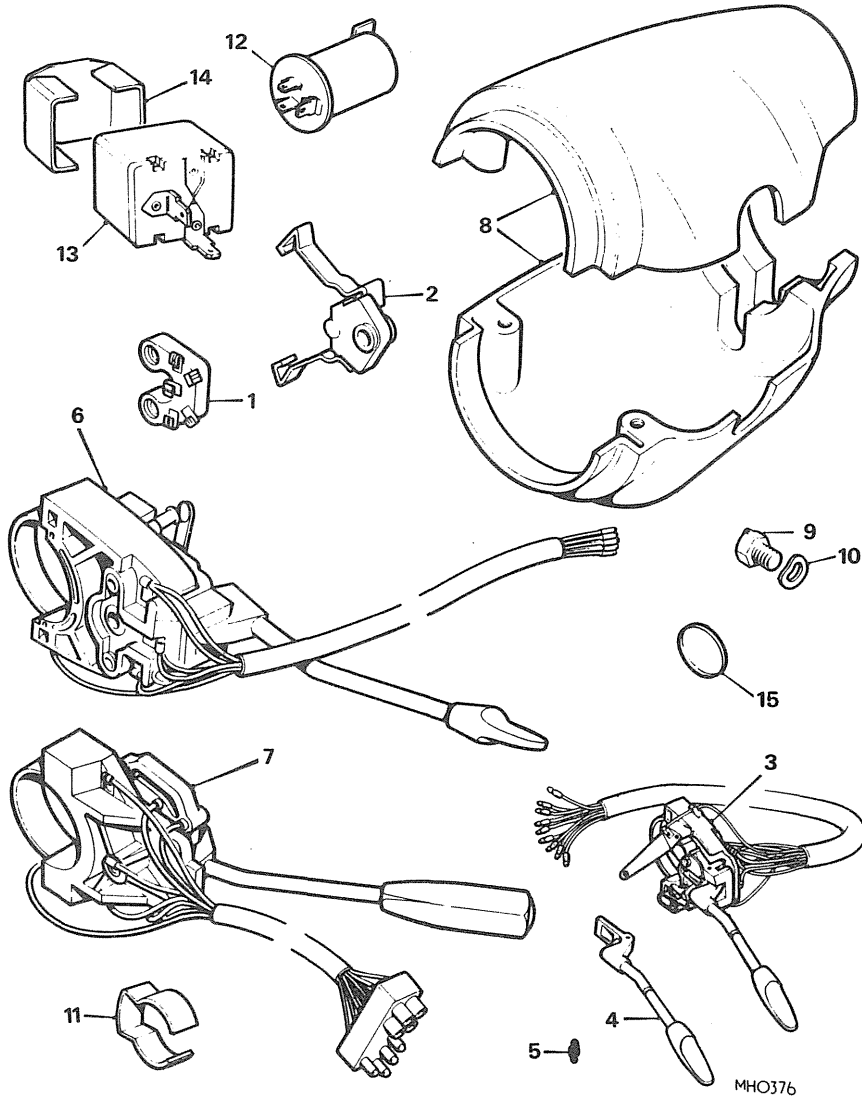
Ill. No.	Part No.	DESCRIPTION	Qty.	Change Point	REMARKS
SWITCHES-TOGGLE/ROCKER TYPE SYSTEM-NOT V8					
1	BCA 4294	Switch-lighting.....	1	(C)G-HN3,G-HD3-101 TO 91336 RHD, 90001 LHD	
2	BHA 4578	Switch-lighting.....	1	(C)G-HN3,G-HD3-91337 RHD,90002 LHD TO 138400 (C)G-HN4-138401 TO 187210 (C)G-HN5-187211 TO 258000 (C)G-HD4-138401 TO 187840 (C)G-HD5-187841 TO 258000	
3	BHA 5111	Switch-lighting.....	1	(C)G-HN5,G-HD5-258001 ON	Rocker type-RHD
3	BHA 5111	Switch-lighting.....	1	Use prior to BHA 5191] LHD
3	BHA 5191	Switch-lighting.....	1	(C)G-HN5-360301 ON (C)G-HD5-361001 ON	
4	149011	Switch-windscreen wiper.....	1	(C)G-HN3,G-HD3-101 TO 138400 (C)G-HN4-138401 TO 187210 (C)G-HN5-187211 TO 258000 (C)G-HD4-138401 TO 187840 (C)G-HD5-187841 TO 258000	
5	BHA 4786	Switch-windscreen wiper.....	1	(C)G-HN5,G-HD5-258001 TO 360300 (Tourer)and 361000(GT)	Rocker type
6	BHA 5110	Switch-windscreen wiper.....	1	(C)G-HN3-101 TO 138400 (C)G-HN4-138401 TO 187210 (C)G-HN5-187211 TO 258000 (C)G-HD3-101 TO 139471 (C)G-HD4-139472 TO 187840 (C)G-HD5-187841 TO 258000	
7	BHA 4280	Switch-map light	1	(C)G-HN3-101 TO 138400] LHD.
8	BCA 4312	Switch-heater.....	1	(C)G-HN4-138401 TO 187210 (C)G-HN5-187211 TO 258000 (C)G-HD3-101 TO 139471 (C)G-HD4-139472 TO 187840 (C)G-HD5-187841 TO 258000	
9	BHA 5113	Switch-heater.....	1	(C)G-HN5,G-HD5-258001 ON	Rocker type-RHD
9	BHA 5113	Switch-heater.....	1	Use prior to BHA 5192] LHD.
9	BHA 5192 BHA 5047	Switch-heater..... Switch-Rheostat	1 1	(C)G-HN5-360301 ON (C)G-HD5-361001 ON	



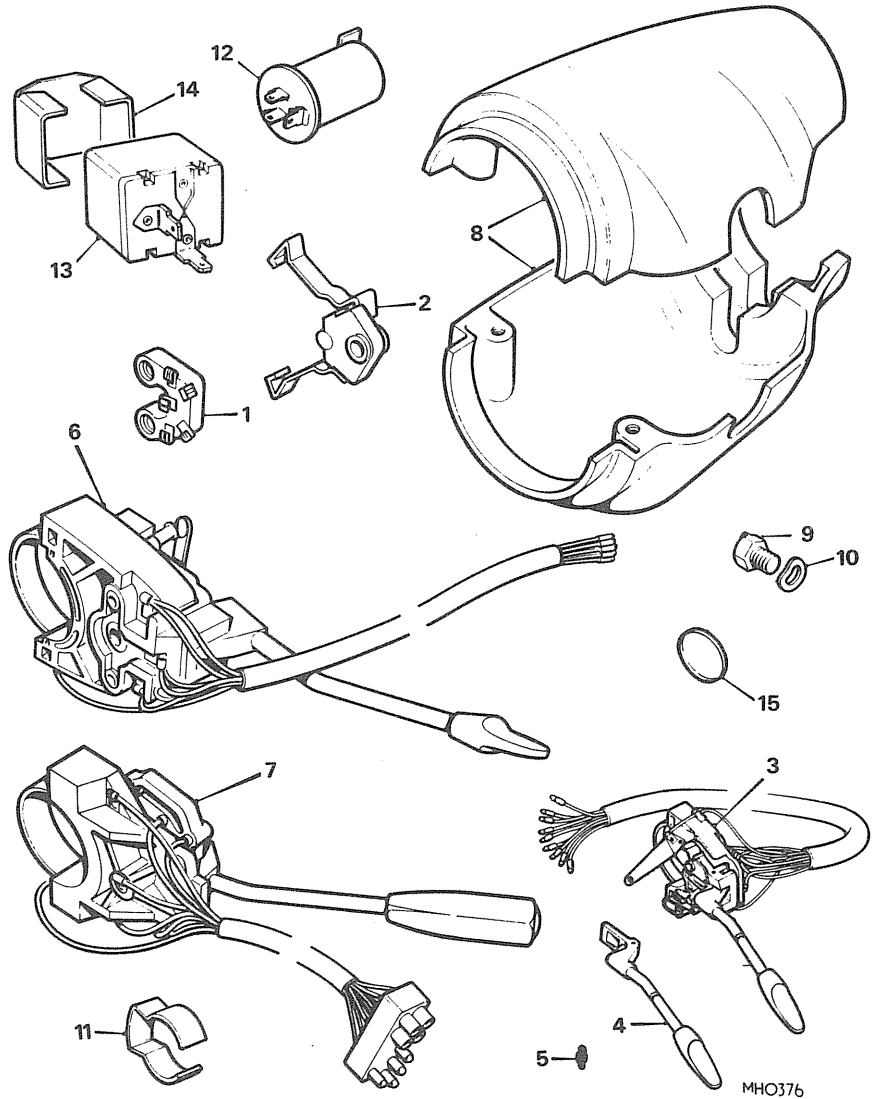
III. No.	Part No.	DESCRIPTION	Qty.	Change Point	REMARKS
SWITCHES-TOGGLE/ROCKER TYPE SYSTEM-NOT V8-continued					
10	502087	Switch-headlamp dipper	1	(C)G-HN3,G-HD3-101 TO 90363	
11	37H 2099	Switch-headlamp dipper	1	(C)G-HN3,G-HD3-90364 TO 138400 (C)G-HN4-138401 TO 187210 (C)G-HD4-138401 TO 187840	
	BHA 5267	Switch-hazard warning	1	(C)G-HD5-328801 ON	RHD LHD
	BHA 5267	Switch-hazard warning	1	Use prior to BHA 5193	
	BHA 5193	Switch-hazard warning	1	(C)G-HN5-360301 ON	Optional extra
	BHH 1085	Clip-switch fixing	1	(C)G-HD5-361001 ON	
12	RTC 430	Switch-fog and long-range driving lamp	2	Use prior to BHA 5115	
13	BHA 5115	Switch-fog and long-range driving lamp	2	(C)G-HN5,G-HD5-258001 ON	
12	RTC 430	Switch-overdrive	1	(C)G-HN3-101 TO 61015	
15	BHA 4513	Switch-overdrive	1	(C)G-HN3,G-HD3-61016 TO 138400	
18	AHH 6277	Escutcheon-overdrive switch	1	(C)G-HN4-138401 TO 187210 (C)G-HN5-187211 TO 360300 (C)G-HD4-138401 TO 187840 (C)G-HD5-187841 TO 361000	
16	13H 6957	Switch-brake test	1	Finished at (C)G-HN5-360300 (C)G-HD5-361000	Switzerland and Benelux
17	BHA 4482	Switch-gear illumination lamp -Automatic	1	(C)G-HN4-138401 TO 187210 (C)G-HN5-187211 TO 258000 (C)G-HD4-138401 TO 187840 (C)G-HD5-187841 TO 258000	
18	AHH 6277	Escutcheon-overdrive switch	1		



Ill. No.	Part No.	DESCRIPTION	Qty.	Change Point	REMARKS
SWITCHES-TOGGLE/ROCKER TYPE SYSTEM-NOT V8-continued					
19	AHH 7010	LIGHTER ASSEMBLY-CIGAR.....	NLA	Use prior to BHA 5137	Optional extra
20	27H 9735	Unit-heating.....	1		
19	BHA 5137	LIGHTER ASSEMBLY-CIGAR.....	1	(C)G-HN5-294251 ON (C)G-HD5-296001 ON	
20	27H 9735	Unit-heating.....	1		
21	37H 2503	Knob.....	1	Use prior to BHA 5060	Optional extra -GT
22	97H 2792	SWITCH ASSEMBLY-HEATED BACK-LIGHT.....	1		
23	GLB 281	Bulb.....	1	(C)G-HD5-219001 TO 258000	
24	37H 1451	Spring.....	1		
25	BHA 5060	SWITCH ASSEMBLY-HEATED BACK-LIGHT.....	1	(C)G-HD5-258001 TO 325749	RHD
26	GLB 281	Bulb.....	1		
27	BHA 5114	Switch-heated back-light.....	1	(C)G-HD5-325750 ON	LHD
27	BHA 5296	Switch-heated back-light.....	1		
27	BHA 5296	Switch-heated back-light.....	1	Use prior to BHA 5237 (C)G-HN5-360301 ON (C)G-HD5-361001 ON	LHD
27	BHA 5237	Switch-heated back-light.....	1		
28	13H 337	SWITCH ASSEMBLY-STARTER AND IGNITION.....	1	(C)G-HN4-138401 TO 187210 (C)G-HN5-187211 ON (C)G-HD4-138401 TO 187840 (C)G-HD5-187841 ON	Use when steering lock is not fitted
29	47H 5481	Nut-locking.....	NLA		
28	13H 926	SWITCH ASSEMBLY-STARTER AND IGNITION.....	1	(C)G-HN4-138401 TO 187210 (C)G-HN5-187211 ON (C)G-HD4-138401 TO 187840 (C)G-HD5-187841 ON	Tourer
29	47H 5481	Nut-locking.....	NLA		
30	24G 1345	Lock-ignition.....	1		GT
32	13H 391	SWITCH-COURTESY LIGHT-TRUNK.....	1		
33	BHA 4593	SWITCH-COURTESY LIGHT-INTERIOR.....	2		
	PTP 603	Screw.....	4		
34	13H 2018	SWITCH-COURTESY LIGHT-TAILGATE.....	1		

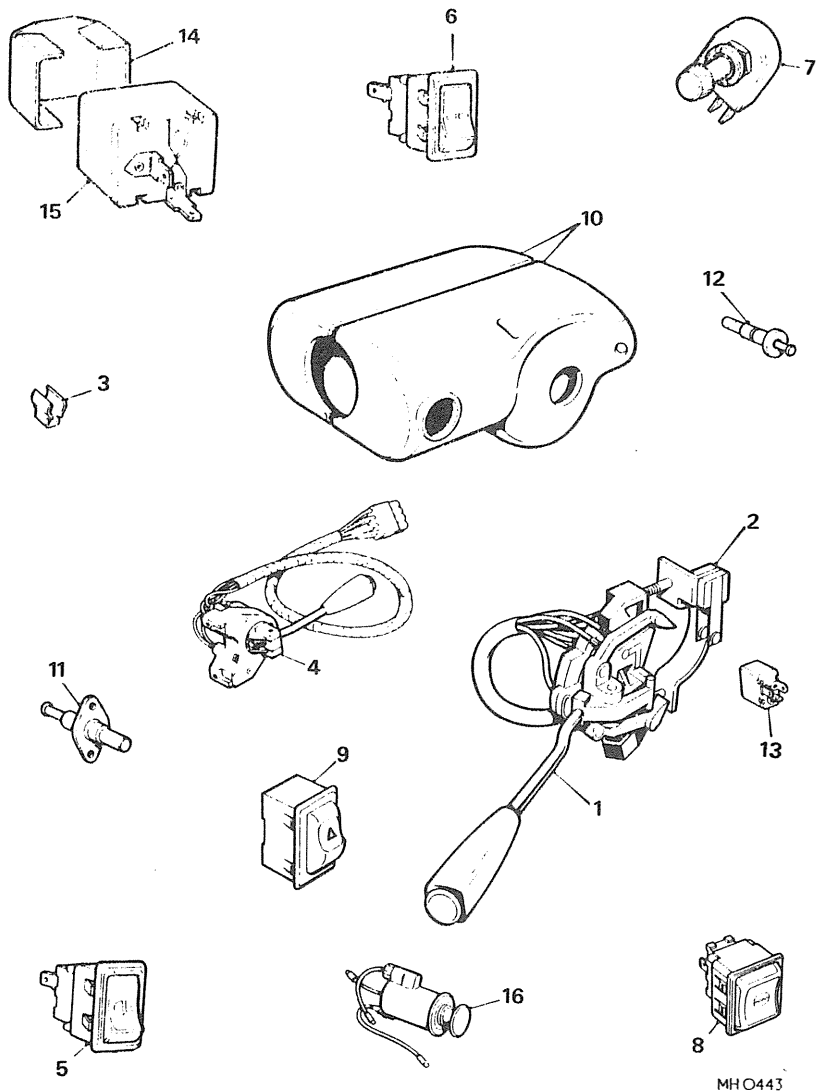


Ill. No.	Part No.	DESCRIPTION	Qty.	Change Point	REMARKS
SWITCHES-TOGGLE/ROCKER TYPE SYSTEM-NOT V8-continued					
	AHH 6318	SWITCH ASSEMBLY-DIRECTION INDICATOR.....NLA	1	(C)G-HN3-110 TO 74045	See TIB 1B 16
1	67H 5021	Contact.....	1		
2	18G 8786	Kit-spring(with bush).....	1		
3	BHA 4897	SWITCH ASSEMBLY-DIRECTION INDICATOR.....	1	(C)G-HN4,G-HD4-161087 TO 187210 (Tourer)187840(GT)	Japan
3	BHA 4522	SWITCH ASSEMBLY-DIRECTION INDICATOR AND HEADLAMP FLASHER.....	1	(C)G-HN3-74046 TO 96262 (C)G-HD3-71933 TO 96262	
3	BHA 4630	SWITCH ASSEMBLY-DIRECTION INDICATOR AND HEADLAMP FLASHER.....	1	(C)G-HN3,G-HD3-96263 TO 138400 (C)G-HN4,G-HD4-138401 TO 161086	
3	BHA 4898	SWITCH ASSEMBLY-DIRECTION INDICATOR AND HEADLAMP FLASHER.....	1	(C)G-HN4,G-HD4-161087 TO 187210 (Tourer)187840(GT)	
4	27H 6787	Lever.....	1		
5	27H 5386	Spring-pawl.....	1		
6	BHA 4948	Switch-direction indicator, horn,headlamp flasher and dipper.....	1	(C)G-HN5-187211 TO 21900 not N.America (C)G-HD5-187841 TO 219000 not N.America	
7	37H 8050	Switch-direction indicator and headlamp flasher.....	1	(C)G-HN5-219001 TO 360300	RHD.
	37H 8051	Clip-direction indicator switch-with horn contact.....	1	(C)G-HD5-219001 TO 361000	
7	37H 8101	Switch-direction indicator headlamp flash and dipper.....	1		LHD.
	37H 8102	Clip-direction indicator switch-with horn contact.....	1		
	BHA 5251	Switch-windscreen wiper and overdrive.....	1	(C)G-HN5-360301 ON (C)G-HD5-361001 ON	
	37H 8523	Switch-direction indicator headlamp flasher and dipper \$.....	1		
	37H 8524	Switch-windscreen wiper, washer and overdrive \$.....	1		



Ill. No.	Part No.	DESCRIPTION	Qty.	Change Point	REMARKS
SWITCHES-TOGGLE/ROCKER TYPE SYSTEM-NOT V8-continued					
8	18G 8387	Cowling-indicator switch-RHD	1] Use prior to 18G 8713 and 18G 8714	
	18G 8388	Cowling-indicator switch-LHD.....	1		
8	18G 8713	Cowling-indicator switch-RHD	1] (C)G-HN5-187211 TO 360300 (C)G-HD5-187848 TO 361000	
	18G 8714	Cowling-indicator switch-LHD.....	1		
	18G 9012	Cowling-indicator switch-RHD	1] (C)G-HN5-360301 ON (C)G-HD5-361001 ON	
	18G 8762	Cowling-indicator switch-LHD.....	1		
9	AHA 8752	Striker-indicator switch	1] (C)G-HN3-74046 TO 138400 (C)G-HD3-71933 TO 138400 (C)G-HN4.G-HD4- 138401 TO 187210 (Tourer)187840(GT)	
11	BHH 254	Striker-indicator switch	1		
11	BHH 1301	Striker-indicator switch	1] (C)G-HN5-187211 TO 320146 (C)G-HD5-187840 TO 320146 (C)G-HN5-320147 TO 360300 (C)G-HD5-320147 TO 361000	
11	BHH 402	Striker-indicator switch	1		
12	GFU 103	Unit-flasher	1] (C)G-HN5-360301 ON (C)G-HD5-361001 ON (C)G-HN3.G-HD3-101 TO 138400(except West Germany) 57027(West Germany)	
12	13H 2639	Unit-flasher	1		
13	GFU 107	Unit-flasher-not West Germany	1] (C)G-HN3.G-HD3- 57028 TO 138400 (West Germany) (C)G-HN4-138401 TO 187210 (C)G-HN5-187211 ON (C G-HD4-138401 TO 187840 (C)G-HD5-187841 ON	
13	88G 591	Unit-flasher-West Germany.....	1		
	PTZ 804	Screw-flasher unit.....	1		
	PWZ 203	Washer-plain	1		
14	BHA 4780	Clip-flasher unit	1		
	PTZ 1004	Screw-clip	1		
15	AHH 6334	Window-flasher warning light.....	NLA		
13	ATJ 8880	Unit-hazard warning \$	1] (C)G-HN5-328101 ON (C)G-HD5-328801 ON	
14	BHA 4780	Clip-unit	1		

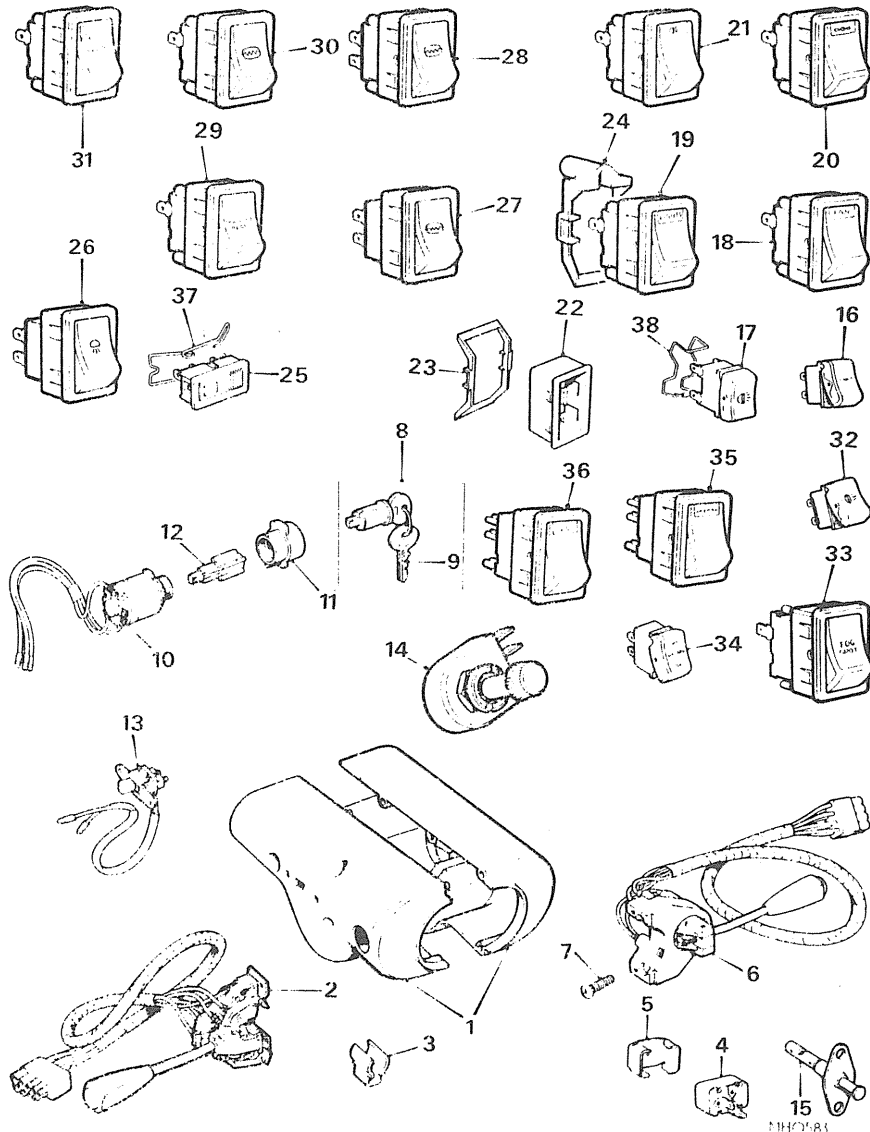
\$ This item is subject to safety regulations.



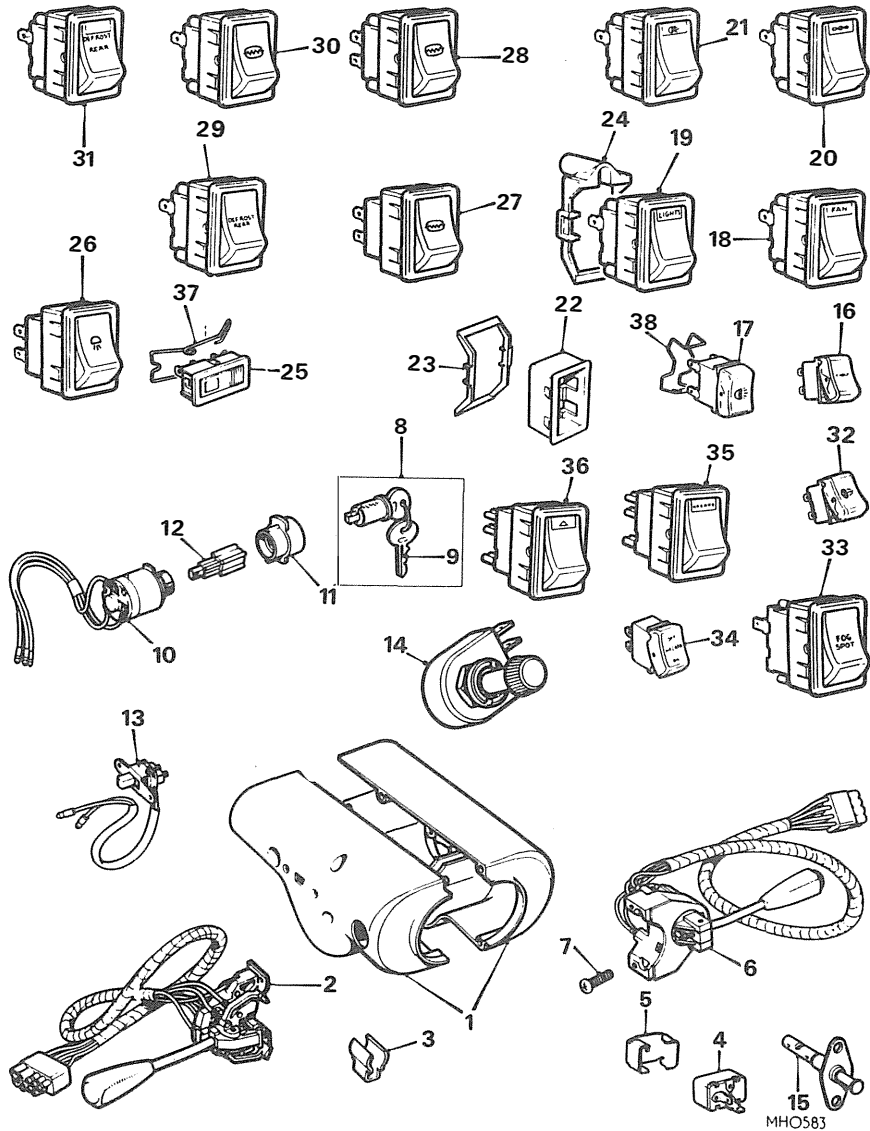
III. No.	Part No.	DESCRIPTION	Qty.	Change Point	REMARKS
SWITCHES-V8					
1	37H 8101	Switch-direction indicator.....	1		
2	37H 8102	Clip-horn contact(with screws).....	1		
3	BHH 402	Striker-switch.....	1		
4	BHA 5251	Switch-windscreen wiper and overdrive(two speed).....	1		
5	BHA 5111	Switch-lighting.....	1		
6	BHA 5113	Switch-heater.....	1		
7	BHA 5047	Switch-rheostat.....	1		
8	13H 6958	Switch-heated backlight.....	1		(C)G-D2D1-101 TO 489
8	BHA 5296	Switch-heated backlight \$.....	1		(C)G-D2D1-490 ON
9	BHA 5267	Switch-hazard warning.....	1		
10	18G 9012	Cowling-indicator switch.....	1PR		
	PMZ 316	Screw-cowl.....	2		
11	BHA 4593	Switch-courtesy light.....	2		
	PTP 603	Screw.....	4		
	PMZ 408	Screw.....	1		
	LWZ 204	Washer-spring.....	1		
12	13H 2018	Switch-courtesy light-tailgate.....	1		
13	ATJ 8880	Unit-hazard warning.....	1		
14	BHA 4780	Clip-unit.....	1		
15	GFU 107	Unit-flasher.....	1		
14	BHA 4780	Clip-flasher unit.....	1		
16	BHA 5137	Lighter-cigar.....	1		

MGB

MGB TOURER AND GT



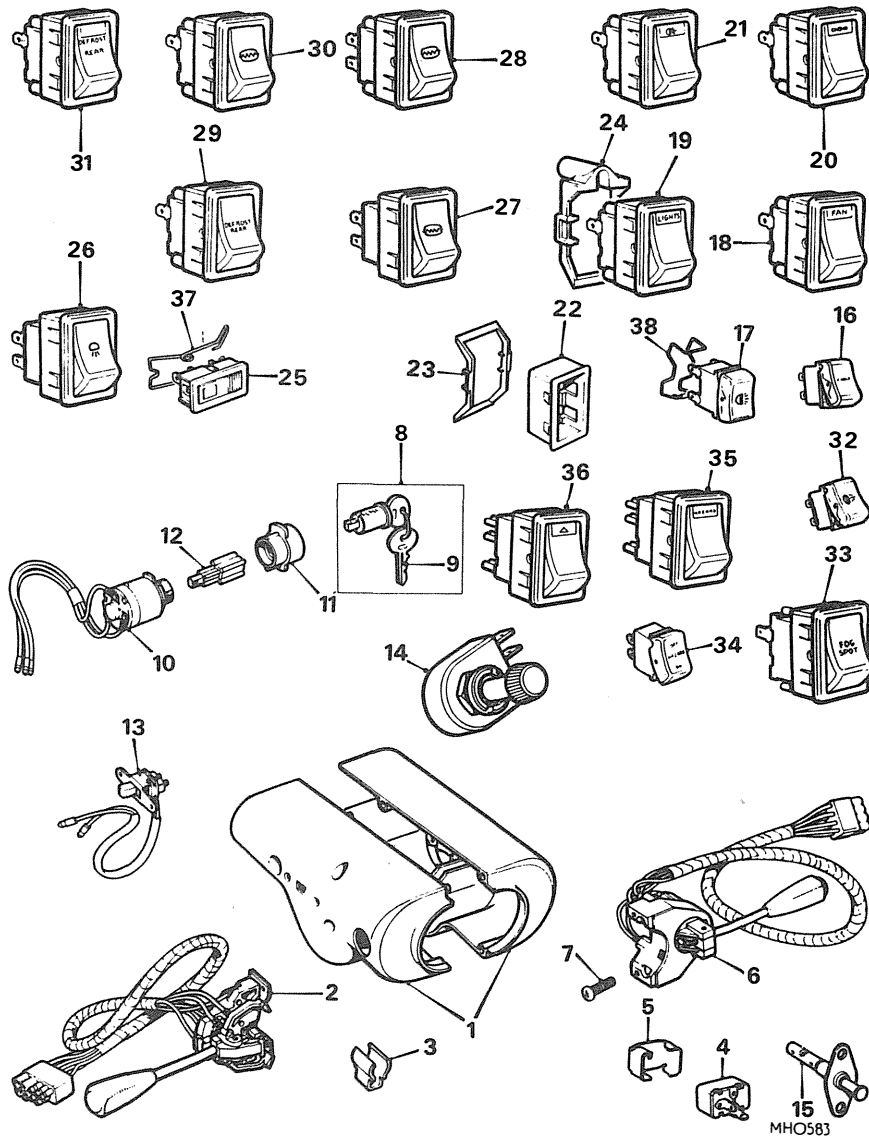
Ill. No.	Part No.	DESCRIPTION	Qty.	Change Point	REMARKS
SWITCHES-ROCKER TYPE.NOT V8.					
1	18G 8762	Cowl-switch \$	1		USA,Canada, Sweden and Germany. Use with alternative steering lock kit 18G 8905
1	18G 8840	Cowl-switch \$	1		
2	PMZ 316 ZPT 1003 BHA 4696	Screw-cowl	2		USA and CANADA.
2		Screw-cowl	2		
2		Switch-direction indicator, horn and headlamp flasher.....	1	Use prior to 37H 6022	USA.
2	37H 6022	Switch-direction indicator and headlamp flasher and dipper	1		
2		Switch-direction indicator and headlamp flasher and dipper	1	(C)G-HN5-219001 TO 267109 (C)G-HD5-219001 TO 267332	Canada,Sweden Germany.
2	37H 7424	Switch-direction indicator and headlamp flasher and dipper	1		
2		Switch-direction indicator and headlamp flasher and dipper	1	(C)G-HN5-267110 TO 328100 (C)G-HD5-267333 TO 328800	USA,Canada, Sweden and Germany.
2	37H 8521	Switch-direction indicator and headlamp flasher and dipper \$	1		
2		Switch-direction indicator and headlamp flasher and dipper	1	(C)G-HN5-328101 ON (C)G-HD5-328801 ON	USA,Canada, Sweden and Germany.
2	37H 6022	Switch-direction indicator and headlamp flasher and dipper	1		
2		Switch-direction indicator and headlamp flasher and dipper	1	(C)G-HN5-219001 TO 328100 (C)G-HD5-219001 TO 328800	USA,Canada, Sweden and Germany.
2	37H 8523	Switch-direction indicator and headlamp flasher and dipper	1		
		Clip-direction indicator switch(with horn contact).....	1	(C)G-HN5-328101 ON (C)G-HD5-328801 ON	USA,Canada, Sweden and Germany.
	37H 8566	Clip-direction indicator switch(with horn contact).....	1		
3	BHH 402	Striker-switch	1		USA,Canada, Sweden and Germany.
4	GFU 107	Unit-flasher \$	1		
5	BHA 4780 PTZ 1004	Clip-flasher unit \$	1		USA,Canada, Sweden and Germany.
		Screw.....	1		



III. No.	Part No.	DESCRIPTION	Qty.	Change Point	REMARKS
SWITCHES-ROCKER TYPE,NOT V8-continued.					
6	37H 2678	Switch-windscreen wiper, washer and overdrive \$	1	Use prior to 37H 4725	USA.
6	37H 7425	Switch-windscreen wiper, washer and overdrive \$	1	(C)G-HN5-267110 TO 328100 (C)G-HD5-267333 TO 328800	
6	37H 8522	Switch-windscreen wiper, washer and overdrive \$	1	(C)G-HN5-32101 ON (C)G-HD5-328801 ON	
6	37H 2678	Switch-windscreen wiper, washer and overdrive \$	1	Use prior to 37H 8524	
6	37H 8524	Switch-windscreen wiper, washer and overdrive \$	1	(C)G-HN5-328101 ON (C)G-HD5-328801 ON	Canada,Sweden and Germany.
7	AHH 8895	Screw-wiper switch	NLA		USA,Canada, Sweden and Germany.
8	24G 1345	LOCK ASSEMBLY-IGNITION	1	(C)G-HN4-138401 TO 187210	
10	BHA 4732	Switch-ignition	1	(C)G-HD4-138401 TO 187410	
11	BHA 4802	Housing-lock	1		
12	BHA 4803	Spindle-extension	1		
13	BHA 4698	Switch-panel light \$	1		USA,Canada, Sweden and Germany.
14	BHA 5047	Rheostat-panel light	1	(C)G-HN5-219001 TO 294250 (C)G-HD5-219001 TO 296000	
14	BHA 5198	Rheostat-panel light	NLA	(C)G-HN5-294251 ON (C)G-HD5-296001 ON	Use Switch 37H 7994 With Knob 37H 7995
	37H 7994	Rheostat-panel light	1		
	37H 7995	Knob-rheostat	1		
15	BHA 4593	Switch-courtesy light(GT)	1		

\$ This item is subject to safety regulations.

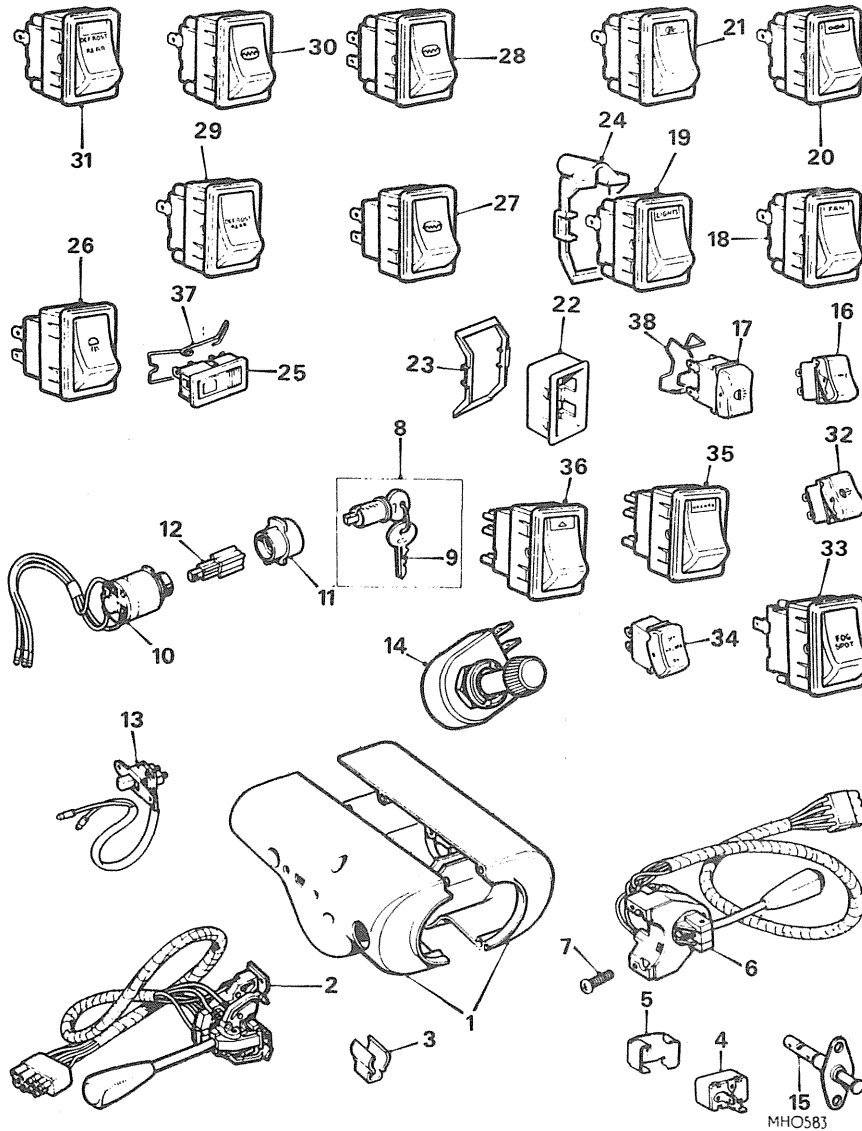
MGB



MGB TOURER AND GT

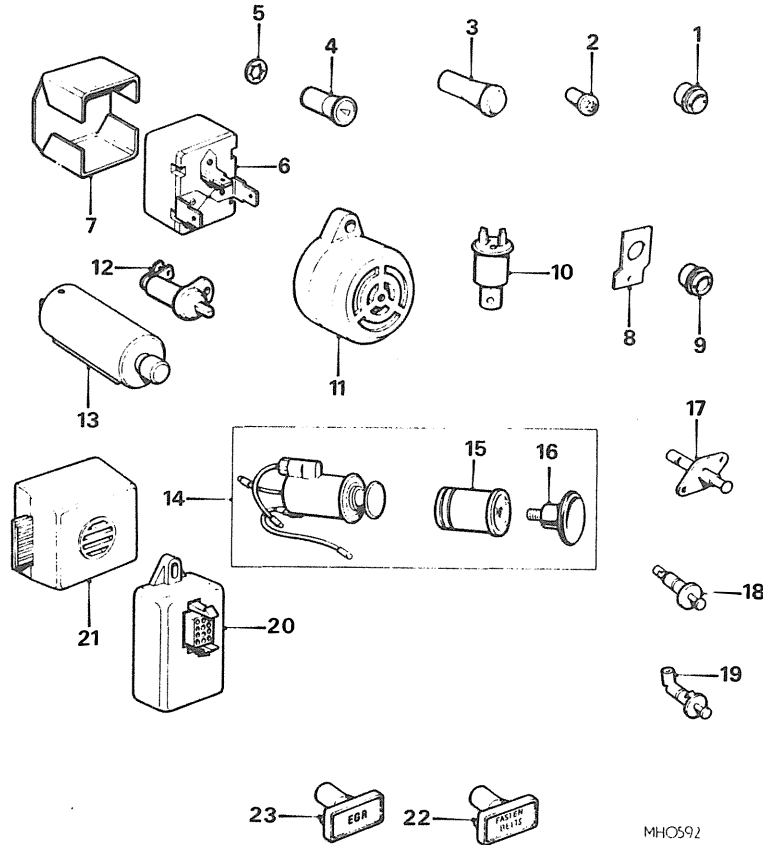
Ill. No.	Part No.	DESCRIPTION	Qty.	Change Point	REMARKS
SWITCHES-ROCKER TYPE.NOT V8-continued.					
16	BHA 4831	Switch-heater \$	1	Use prior to BHA 5149 and 5150 (C)G-HN5-267110 TO 294250 (C)G-HD5-267333 TO 296000	USA.
17	13H 6322	Switch-lighting \$	1		
16	BHA 5150	Switch-heater \$	1		
17	BHA 5149	Switch-lighting \$	1		
18	BHA 5184	Switch-heater(illuminated).....	1	(C)G-HN5-294251 ON (C)G-HD5-296001 ON	Canada.
19	BHA 5183	Switch-lighting(illuminated)	1		
16	BHA 4831	Switch-heater \$	1		
16	13H 6952	Switch-heater \$	1	Use prior to 13H 6952 (C)G-HN5-267110 TO 294250 (C)G-HD5-267333 TO 296000	Canada.
20	BHA 5192	Switch-heater(illuminated).....	1	(C)G-HN5-294251 ON (C)G-HD5-296001 ON	
17	13H 6322	Switch-lighting.....	1	Use prior to BHA 5191 (C)G-HN5-294251.ON (C)G-HD5-296001 ON	
21	BHA 5191	Switch-lighting(illuminated)	1	(C)G-HN5-294251.ON (C)G-HD5-296001 ON	Sweden and Germany.
16	BHA 4831	Switch-heater.....	1	Use prior to BHA 5191 and 5192 (C)G-HN5-294251 ON (C)G-HD5-296001 ON	
17	13H 6322	Switch-lighting.....	1		
20	BHA 5192	Switch-heater(illuminated).....	1	Use prior to BHA 4993 and 37H 4995 (C)G-HN5-187211 TO 267109 (C)G-HD5-187841 TO 267332	
21	BHA 5191	Switch-lighting(illuminated).....	1		
22	BHA 4832	Bezel-switch(heater and lighting)	2	Use prior to BHA 4993 and 37H 4995 (C)G-HN5-187211 TO 267109 (C)G-HD5-187841 TO 267332	
22	BHA 4993	Bezel-switch(heater)	1		
22	37H 4995	Bezel-switch(lighting).....	1	(C)G-HN5-267110 TO 294250 (C)G-HD5-267333 TO 296000	USA,Canada, Sweden and Germany.
23	BHA 5153	Clip-switch(heater and lighting)	2		
22	BHA 4832	Bezel-switch(hazard warning, maplight,heated backlight).....	3	Use prior to BHH 1085 (C)G-HN5-294251 ON (C)G-HD5-296001 ON	USA,Canada, Sweden and Germany.
24	BHH 1085	Clip-illuminated switch	6	Use prior to BHA 4933 (C)G-HN4-158371 TO 187210 (C)G-HD4-158233 TO 187840	
25	BHA 4742	Switch-brake check light.....	1		
25	BHA 4933	Switch-brake check light.....	NLA		

\$ This item is subject to safety regulations.



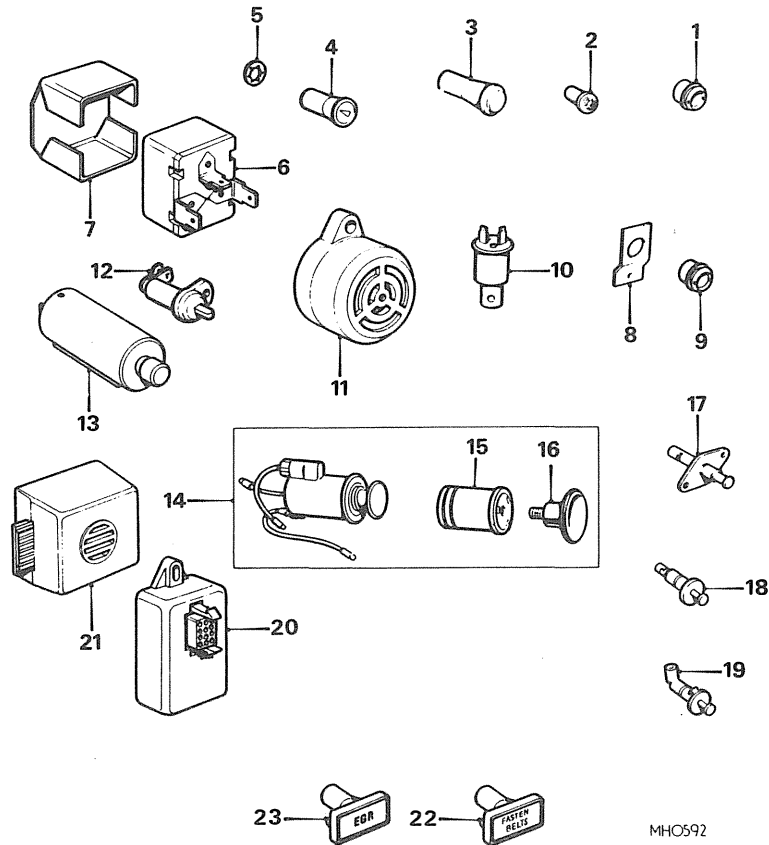
Ill. No.	Part No.	DESCRIPTION	Qty	Change Point	REMARKS
SWITCHES-ROCKER TYPE NOT V8-continued.					
25	BHA 4990	Switch-brake check light	1	(C)G-HN5-187211 TO 386600	USA,Canada, Sweden and Germany.
26	37H 2779	Switch-maplight	1	(C)G-HD5-187841 TO 386600	
26	BHA 4988	Switch-maplight	1	Use prior to BHA 4988	
27	37H 2779	Switch-heated backlight.....	1	(C)G-HN5-187211 TO 219000	
27	BHA 5003	Switch-heated backlight.....	1	(C)G-HD5-187841 TO 219000	Sweden and Germany.
28	BHA 5237	Switch-heated backlight (illuminated)	1	(C)G-HD5-296001 ON	
27	BHA 5003	Switch-heated backlight	1	(C)G-HD5-187841 TO 267332	USA and Canada.
29	BHA 5152	Switch-heated backlight.....	NLA	(C)G-HD5-267333 TO 296000	
30	BHA 5155	Switch-heated backlight	1	(C)G-HD5-296001 ON	USA.
31	BHA 5233	Switch-heated backlight (illuminated)	1		
28	BHA 5237	Switch-heated backlight (illuminated)	1	(C)G-HN5-187211 ON (C)G-HD5-187841 ON (C)G-HN5-187211 TO 267109 (C)G-HD5-187841 TO 267332	USA.
32	37H 4820	Switch-fog and spotlight	1		
32	37H 4820	Switch-fog and spotlight	1	(C)G-HN5-267110 ON (C)G-HD5-267333 ON (C)G-HN5-187211 TO 267580 (C)G-HD5-187841 TO 268580 (C)G-HN5-267581 TO 294250 (C)G-HD5-268581 TO 296000	USA,Canada, Sweden and Germany.
33	BHA 5151	Switch-fog and spotlight.....	2		
34	37H 2679	Switch-hazard warning.....	1	(C)G-HN5-294251 ON (C)G-HD5-296001 ON	USA.
34	37H 7422	Switch-hazard warning	1		
35	BHA 5185	Switch-hazard warning (illuminated)	1	(C)G-HN5-294251 ON (C)G-HD5-296001 ON	Canada,Sweden and Germany.
36	BHA 5193	Switch-hazard warning (illuminated).....	1		
37	AHH 8920	Spring-clip-brake switch	1		
38	AHH 8921	Spring-clip-switch	NLA		
	RMZ 204	Screw-panel light switch	2		
	PTZ 603	Screw-courtesy light switch	2		

§ This item is subject to safety regulations.

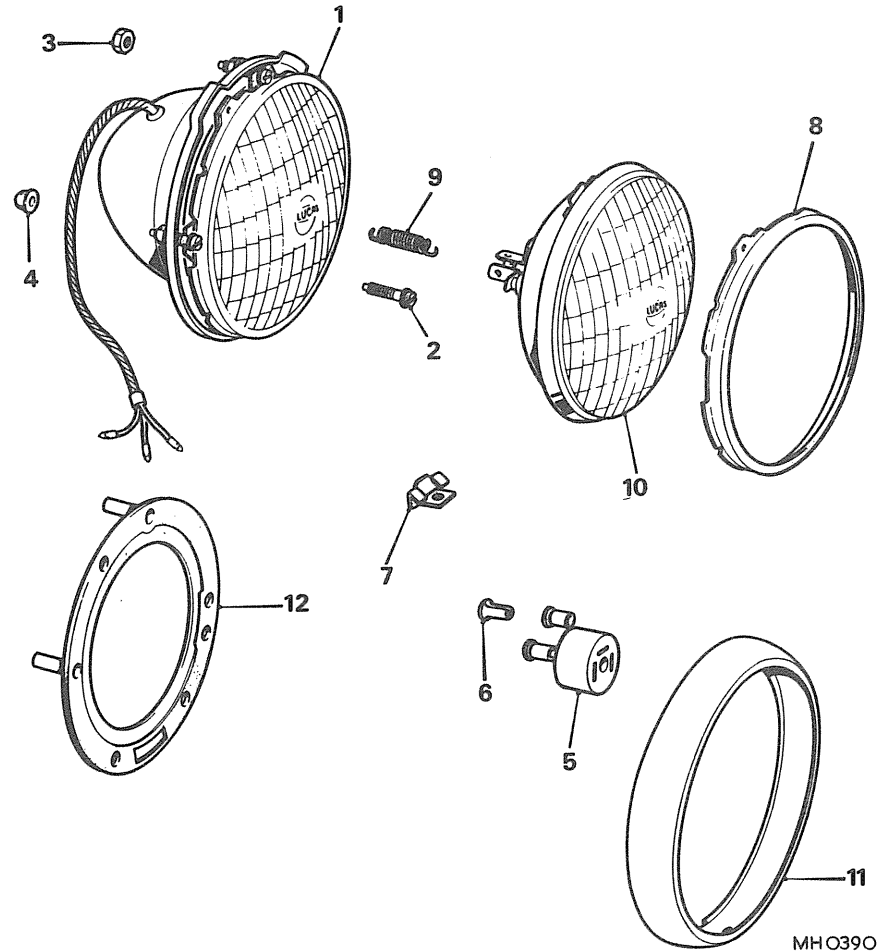


MHO592

III. No.	Part No.		DESCRIPTION	Qty.	Change Point	REMARKS
SWITCHES-ROCKER TYPE.NOT V8-continued.						
BODY-WARNING LIGHT						
1	BHA 4770		Heated backlight(Green).....	1	Use prior to BHA 5122 and 5123	USA,Canada, Sweden and Germany.
2	27H 8052		High beam(Blue) \$.....	1		
2	BCA 4780		Ignition(Red).....	1		
3	BHA 5122		High beam(Blue).....	1		
3	BHA 5123		Ignition(Red).....	1	(C)G-HN5,G-HD5- 258001 ON	
4	BHA 5124		Direction indicator (Green).....	2		
5	BHA 5125		Washer-retaining.....	2	Use prior to ATJ 8880	
6	13H 4666		Unit-hazard warning \$.....	1		
6	ATJ 8880		Unit-hazard warning \$.....	1	(C)G-HN5-238408 ON (C)G-HD5-239805 ON	
7	BHA 4780		Bracket-hazard unit.....	1	Finished at G-HN5-258000.	USA,Canada, Sweden and Germany.
8	AHH 8889		Bracket-hazard lamp.....	1		
	PTZ 603		Screw.....	1		
	PWZ 102		Washer-plain.....	1		
9	BHA 4804		Lamp-hazard warning.....	1	(C)G-HN5-187211 TO 328100 (C)G-HD5-187841 TO 328800	
10	BHA 4974		Buzzer-ignition key warning.....	1		
	PMZ 306		Screw-buzzer and harness to gearbox cover.....	1		
	LWZ 203		Washer-spring.....	1		
	FNZ 103		Nut.....	1	(C)G-HN5-328101 TO 372612 (C)G-HD5-328801 TO 367803	
11	13H 8600		Buzzer-ignition key warning \$.....	1		
12	BHA 4984		Switch-ignition key warning \$.....	1	(C)G-HN5-187211 ON (C)G-HD5-187841 TO 367803	
	PTZ 604		Screw-switch.....	1		
13	C 41220		Switch-inertia-fuel cut out.....	1	(C)G-HN5-360301 ON (C)G-HD5-361001 TO 367803	USA and Canada.
	AB 610041		Screw-fixing.....	2		

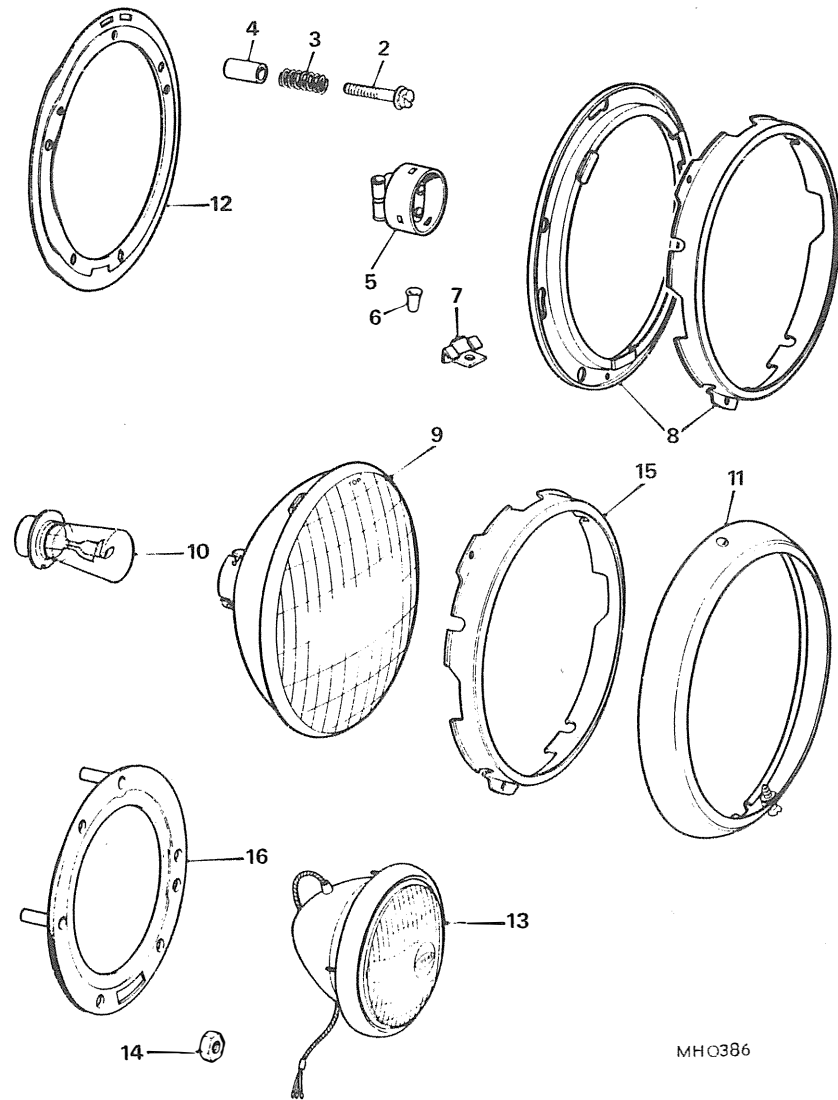


Ill. No.	Part No.	DESCRIPTION	Qty.	Change Point	REMARKS
SWITCHES-ROCKER TYPE-NOT V8-continued.					
14	BHA 4765	LIGHTER ASSEMBLY-CIGAR.....	1	Use prior to BHA 5137	(C)G-HN5,G-HD5- 258001 ON (C)G-HN5-219001 ON (C)G-HD5-219001 ON (C)G-HD5-219001 ON (C)G-HN5-219001 ON (C)G-HN5-328101 TO 372612 (C)G-HD5-328801 TO 367803 (C)G-HN5-372613 ON (C)G-HN5-386601 ON
15	27H 9735	Unit-heating	1		
	37H 2505	Clamp	NLA		
16	37H 2503	Knob	1		
14	BHA 5137	LIGHTER ASSEMBLY-CIGAR.....	1		
15	27H 9735	Unit-heating	1		
16	37H 2503	Knob	1		
17	BHA 4593	SWITCH-COURTESY LIGHT Interior.....	1		USA,Canada, Sweden and Germany.
18	13H 2018	Tailgate.....	1		
19	13H 391	Trunk	1		
20	13H 9801	Unit-control sequential seat belt system \$	1		
	PMZ 316	Screw-unit and warning buzzer to gearbox cover	1		
	WA 702101	Washer-plain	1		
	WL 700101	Washer-spring	1		
	ANZ 103	Nut	1		
21	AAU 1110	Unit-buzzer-time delay	1		
	PMZ 308	Screw-unit to gearbox cover.....	1		
	WL 700101	Washer-spring	1		
	ANZ 103	Nut	1		
		LIGHT-WARNING			
22	13H 7986	Fasten seat belts.....	1		Unleaded fuel Leaded fuel
	13H 9498	EGR/Catalyst	1		
23	13H 9408	EGR	1		Canada only when EGR warning light not fitted.
	AAU 2092	Brake-LHD only.....	1		
	BHA 5148	Blank-EGR warning light	1		



Ill. No.	Part No.	DESCRIPTION	Qty.	Change Point	REMARKS	
HEADLAMPS-ALL VERSIONS-RHD AND NORTH AMERICA						
1	27H 8263	HEADLAMP ASSEMBLY	2		Use BHM 7058	
2	67H 5025	Screw-trimmer	NLA			
3	27H 6482	Nut-trimmer screw	4			
4	27H 7824	Retainer-trimmer screw	NLA			
5	600226	ADAPTOR ASSEMBLY	2			
6	27H 6713	Sleeve-terminal	NLA	Use prior to BHA 4999		
7	37H 2930	Clip-spring-rim retaining	2			
8	515218	Plate-light unit retaining	2			
9	67H 5026	Screw	6			
10	GLU 101	Spring-unit seating rim	2			
11	57H 5296	Unit-light	2			
12	13H 565	Rim	2			
1	559254	Gasket(rubber)	2		Was BHA 4999. Use BHM 7058 Use BHM 7058 RHD.	
HEADLAMP ASSEMBLY						
2	67H 5025	Screw-trimmer	NLA			
4	27H 7824	Retainer-screw	NLA			
5	600226	ADAPTOR ASSEMBLY	2	(C)G-HN5-187211 TO 360300		
6	27H 6713	Sleeve-terminal	NLA	(C)G-HD5-187841 TO 361000		
7	37H 2930	Clip-spring-rim retaining	2	(C)G-D2D1-101 TO 2100		
8	515218	Plate-light unit retaining	2			
9	PJZ 602	Screw	6			
9	67H 5026	Spring-unit seating rim	2			
10	GLU 106	Unit-light	2			
11	57H 5296	Rim	2			
12	13H 565	Gasket(rubber)	2			
HEADLAMP ASSEMBLY						
BHA 5378		Screw-trimmer	NLA		Use BHM 7058 Use BHM 7058	
67H 5025		Retainer-trimmer screw	NLA			
BMK 2435		Clip and bracket	2			
37H 2930		Adaptor and cable	NLA	(C)G-HN5-360301 ON		
37H 7910		Plate-light unit retaining	2	(C)G-HD5-361001 ON		
515218		Screw	6	(C)G-D2D1-2101 ON		
PJZ 602		Screw	6			
67H 5026		Spring-unit seating rim	2			
GLU 123		Unit-light	2			
GLB 501		Bulb-pilot	2			
57H 5296		Rim	2			
13H 565		Gasket(rubber)	2			
HEADLAMP ASSEMBLY \$						
1	27H 8266	HEADLAMP ASSEMBLY \$	2		Use BHM 7058 N.America	
2	67H 5025	Screw-trimmer	4			
3	27H 6482	Nut-trimmer screw	4			
4	27H 7824	Retainer-trimmer screw	NLA			
5	600226	ADAPTOR ASSEMBLY	2			
6	27H 6713	Sleeve-terminal	NLA			
7	37H 2930	Clip-spring-rim retaining	2			
8	515218	Plate-light unit retaining	2			
9	PJZ 602	Screw	6			
9	67H 5026	Spring-unit seating rim	2			
10	17H 9472	Unit-light	2			
11	57H 5296	Rim	2			
12	13H 565	Gasket(rubber)	2			
	BHM 7058	Kit-trimmer screw	2			

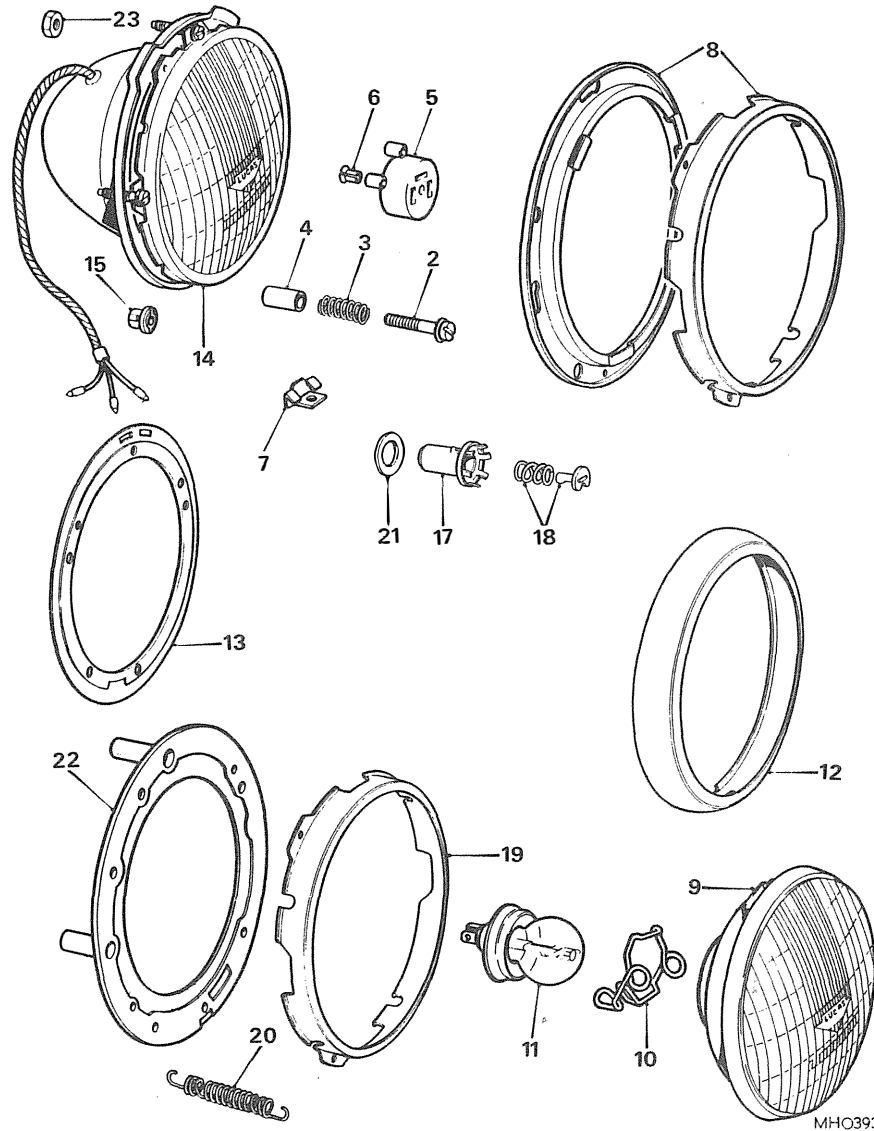
\$ This item is subject to safety regulations



MH0386

Ill. No.	Part No.	DESCRIPTION	Qty.	Change Point	REMARKS
HEADLAMPS-LHD EXCEPT EUROPE AND NORTH AMERICA					
	BHA 4181	HEADLAMP ASSEMBLY-COMLETE			
		RIGHT DIP MK 6.....	NLA		Use BHA 4508
2	17H 5394	Screw-trimmer.....	6		
3	17H 5231	Spring-trimmer screw.....	6		
4	27H 5253	Sleeve-sealing.....	6		
5	17H 5306	ADAPTOR ASSEMBLY.....	2		
6	27H 6713	Sleeve-terminal.....	NLA		
7	37H 2930	Clip-spring-rim retaining.....	2		
8	17H 5205	PLATE ASSEMBLY-LIGHT UNIT			
		RETAINING.....	2		
	PJZ 602	Screw.....	6		
9	262342	Unit-light.....	2		
10	BFS 415	Bulb.....	2		Finished at (C)G-HN5-360300 (C)G-HD5-361000
11	57H 5296	Rim.....	2		
12	7H 8338	Gasket(rubber).....	2		
13	BHA 4508	HEADLAMP COMPLETE-RIGHT			
		DIP-MK 10.....	2		
2	67H 5025	Screw-trimmer.....	NLA		Use BHM 7058
14	27H 7824	Nut-trimmer screw.....	NLA		Use BHM 7058
5	17H 5306	ADAPTOR ASSEMBLY.....	2		
6	27H 6713	Sleeve-terminal.....	NLA		
7	37H 2930	Clip-spring-rim retaining.....	2		
15	515218	Plate-light unit retaining.....	2		
	PJZ 602	Screw.....	2		
3	67H 5026	Spring-unit seating rim.....	2		
9	262342	Unit-light.....	2		
10	BFS 415	Bulb.....	2		
11	57H 5296	Rim.....	2		
16	13H 565	Gasket(rubber).....	2		
	BHM 7058	Kit-trimmer screw.....	2		

See TIB 1B45 F18 for identification of Mk 6 and Mk 10 headlamps



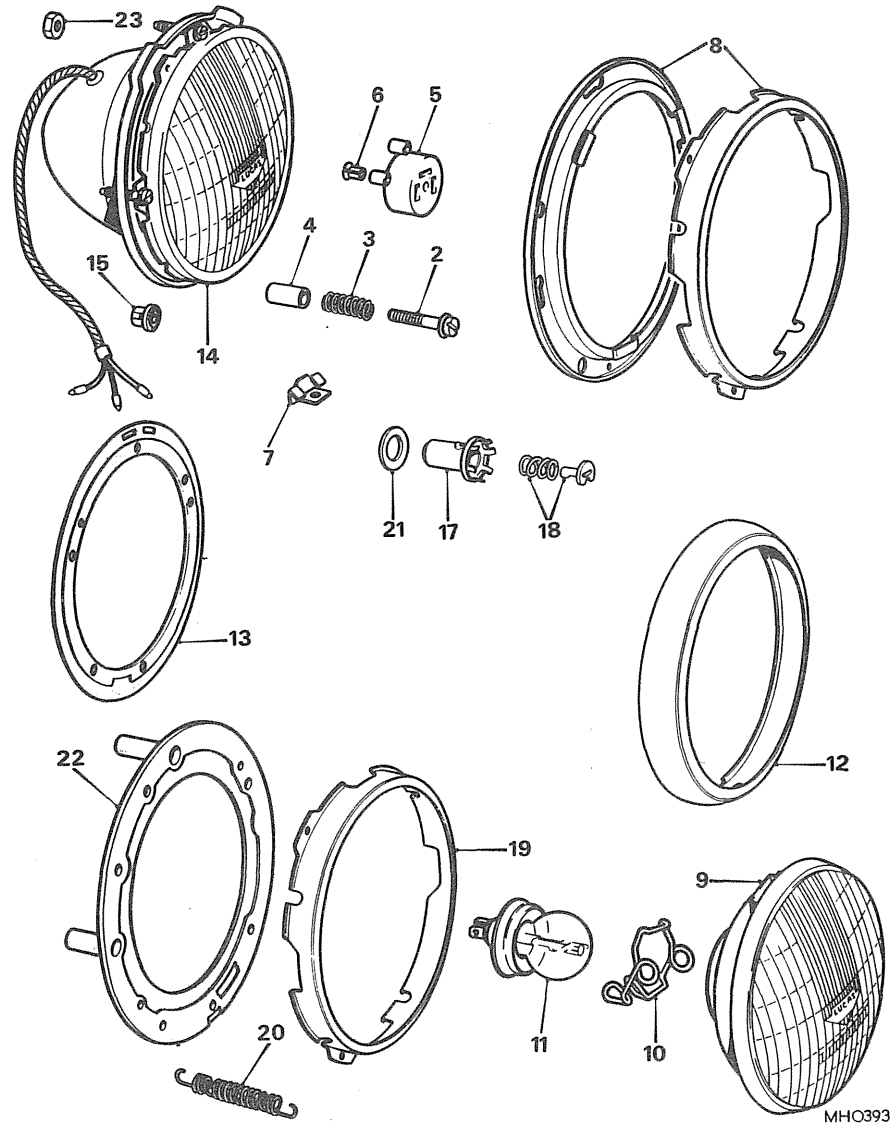
MHO393

Ill. No.	Part No.	DESCRIPTION	Qty.	Change Point	REMARKS
----------	----------	-------------	------	--------------	---------

HEADLAMPS-EUROPE EXCEPT FRANCE AND V8

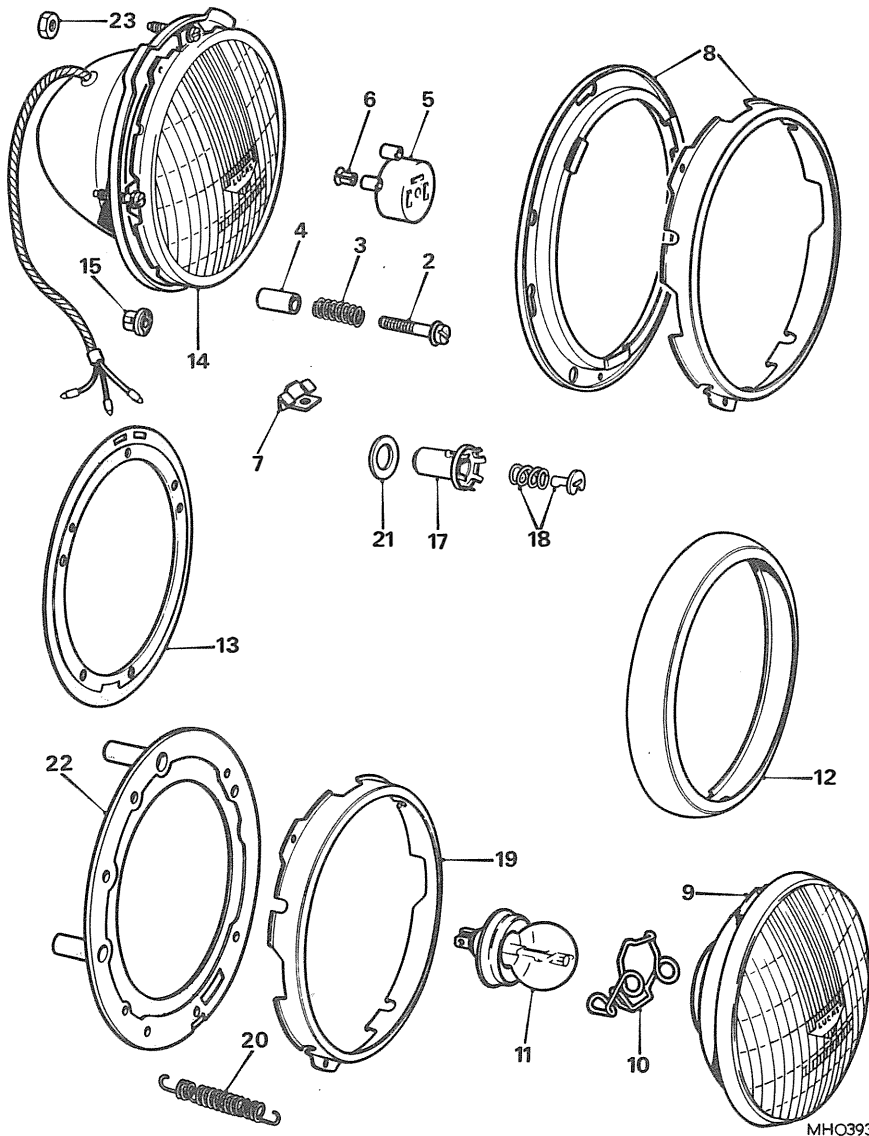
NSP		HEADLAMP ASSEMBLY-COMLETE VERTICAL DIP-MK 6.....	2		Use headlamp 27H 8264 with 1 off rim 57H 5296 and 1 off gasket 13H 565
2	17H 5394	Screw-trimmer	6		
3	17H 5231	Spring-trimmer screw.....	6		
4	27H 5253	Sleeve-sealing.....	6	(C)G-HN3,G-HD3- 101 TO 67712(less 57028 TO 59462 West Germany	
5	600226	ADAPTOR ASSEMBLY.....	2		
6	27H 6713	Sleeve-terminal.....	NLA		
7	37H 2930	Clip-spring-rim retaining	2		
8	17H 5205	PLATE ASSEMBLY-LIGHT RETAINING	2		
	PJZ 602	Screw	6		
9	27H 4146	UNIT ASSEMBLY-LIGHT.....	NLA		Use GLU 518 (Except Germany) GLU 515(Germany). (Except Germany). (Germany).
9	GLU 518	UNIT ASSEMBLY-LIGHT.....	1		
9	GLU 515	UNIT ASSEMBLY-LIGHT.....	1		
10	47H 5125	Spring-bulb retaining.....	2		
11	GLB 410	Bulb.....	2		
12	57H 5296	Rim.....	2		
13	7H 8338	Gasket.....	2		
14	27H 8210	HEADLAMP ASSEMBLY-VERTICAL DIP-MK 10.....	2		
2	67H 5025	Screw-trimmer.....	NLA		Use BHM 7058
15	27H 7824	Retainer-screw.....	NLA		Use BHM 7058
5	600226	ADAPTOR ASSEMBLY.....	2		
6	27H 6713	Sleeve-terminal.....	NLA		
17	27H 5977	Bulbholder-pilot.....	2	(C)G-HN3-57028 TO 59462 (West Germany	
18	244700	Interior.....	2		
7	37H 2930	Clip-spring-rim retaining	2		
19	515218	Plate-light unit	2		
	PJZ 602	Screw	2		
20	67H 5026	Spring-seating rim.....	2		
21	47H 5353	Ring-sealing-pilot bulbholder.....	2		
9	27H 5978	UNIT ASSEMBLY-LIGHT.....	NLA		Use GLU 515
9	GLU 515	UNIT ASSEMBLY-LIGHT.....	1		
10	47H 5125	Spring-bulb	2		
11	GLB 410	Bulb-main	2		
12	57H 5296	Rim.....	2		
22	13H 565	Gasket(rubber).....	2		
	BHM 7058	Kit-trimmer screw.....	2		

See TIB 1B45 F18for identification of Mk 6 and Mk 10 headlamps



Ill. No.	Part No.	DESCRIPTION	Qty.	Change Point	REMARKS
HEADLAMPS-EUROPE EXCEPT FRANCE AND V8-Continued.					
14	27H 8264	HEADLAMP ASSEMBLY-VERTICAL			
		DIP-MK 10	2		
2	67H 5025	Screw-trimmer	NLA		Use BHM 7058.
23	27H 6482	Nut-trimmer screw	4		
15	27H 7824	Retainer-trimmer screw	NLA		Use BHM 7058
5	600226	ADAPTOR ASSEMBLY	2		
6	27H 6713	Sleeve-terminal	NLA		
7	37H 2930	Clip-spring-rim retaining	2		
19	515218	Plate-light unit retaining	2		
	PJZ 602	Screw	6		
20	67H 5026	Spring-unit seating rim	2		
9	27H 4146	UNIT ASSEMBLY-LIGHT	NLA		
		(C)G-HN3,G-HD3-67713 TO 138400			
		(C)G-HN4,GHD4-138401 TO 187210			
		(Tourer)187840(GT)			
		(C)G-HN5-187211 TO 360300			
		(C)G-HD5-187841 TO 361001			
		Use GLU 518 (Except Germany) GLU 515(Germany). (except Germany). (Germany).			
9	GLU 518	UNIT ASSEMBLY-LIGHT	1		
9	GLU 515	UNIT ASSEMBLY-LIGHT	1		
10	47H 5125	Spring-bulb retaining	2		
11	GLB 410	Bulb	2		
12	57H 5296	Rim	2		
22	13H 565	Gasket(rubber)	2		
	BHM 7058	Kit-trimmer screw	2		

See TIB 1B45 F18 for identification of MK6 and MK10 headlamps.



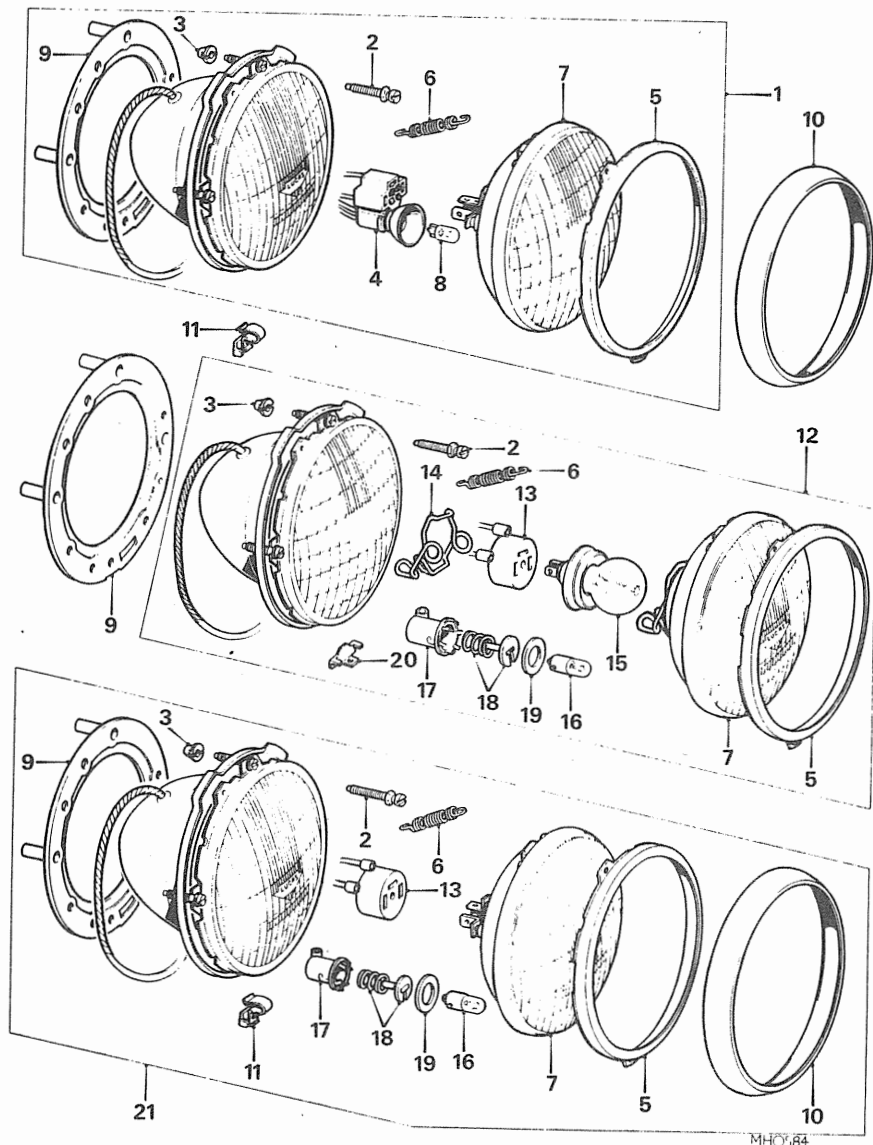
MHO393

Ill. No.	Part No.	DESCRIPTION	Qty.	Change Point	REMARKS
HEADLAMPS-FRANCE.NOT V8.					
NSP		HEADLAMP ASSEMBLY-COMLETE			
		VERTICAL DIP-MK6	2		Use headlamp 27H 8265 with 1 off rim 57H 5296 and 1 off gasket 13H 565.
2	17H 5394	Screw-trimmer	6		
3	17H 5231	Spring-trimmer screw	6		
4	27H 5253	Sleeve-sealing	6		
5	600226	ADAPTOR ASSEMBLY	2	(C)G-HN3-101 TO 63691	
6	27H 6713	Sleeve-terminal	NLA		
7	37H 2930	Clip-spring-rim retaining	2		
8	17H 5205	PLATE ASSEMBLY-LIGHT UNIT RETAINING	2		
	PJZ 602	Screw	6		
9	27H 4146	UNIT ASSEMBLY-LIGHT	NLA		Use GLU 513
9	GLU 513	UNIT ASSEMBLY-LIGHT	2		
10	47H 5125	Spring-bulb retaining	2		
11	GLB 411	Bulb	2		
12	57H 5296	Rim	2		
13	7H 8338	Gasket(rubber)	2		
14	27H 8265	HEADLAMP ASSEMBLY-VERTICAL DIP-MK10	2		
2	67H 5025	Screw-trimmer	NLA		Use BHM 7058
23	27H 6482	Nut-trimmer screw	4	(C)G-HN3,G-HD3-63692 TO 138400	Use BHM 7058
15	27H 7824	Retainer-trimmer screw	NLA	(C)G-HN4-138401 TO 187210	
5	600226	ADAPTOR ASSEMBLY	2	(C)G-HN5-187211 TO 360300	
6	27H 6713	Sleeve-terminal	NLA	(C)G-HD4-138401 TO 187840	
7	37H 2930	Clip-spring-rim retaining	2	(C)G-HD5-187841 TO 361001	Use GLU 513
19	515218	Plate-light unit retaining	2		
	PJZ 602	Screw	6		
20	67H 5026	Spring-unit seating rim	2		
9	27H 4146	UNIT ASSEMBLY-LIGHT	NLA		
9	GLU 513	UNIT ASSEMBLY-LIGHT	2		
10	47H 5125	Spring-bulb retaining	2		
11	GLB 411	Bulb	2		
	BHM 7058	Kit-screw-trimmer	2		
12	57H 5296	Rim	2		
22	13H 565	Gasket(rubber)	2		
	PMZ 310	Screw	8		
	LWZ 203	Washer-spring	8		

NOTE.
See TIB. 1B45 F18 for identification of MK6 and MK10 headlamps.

MGB

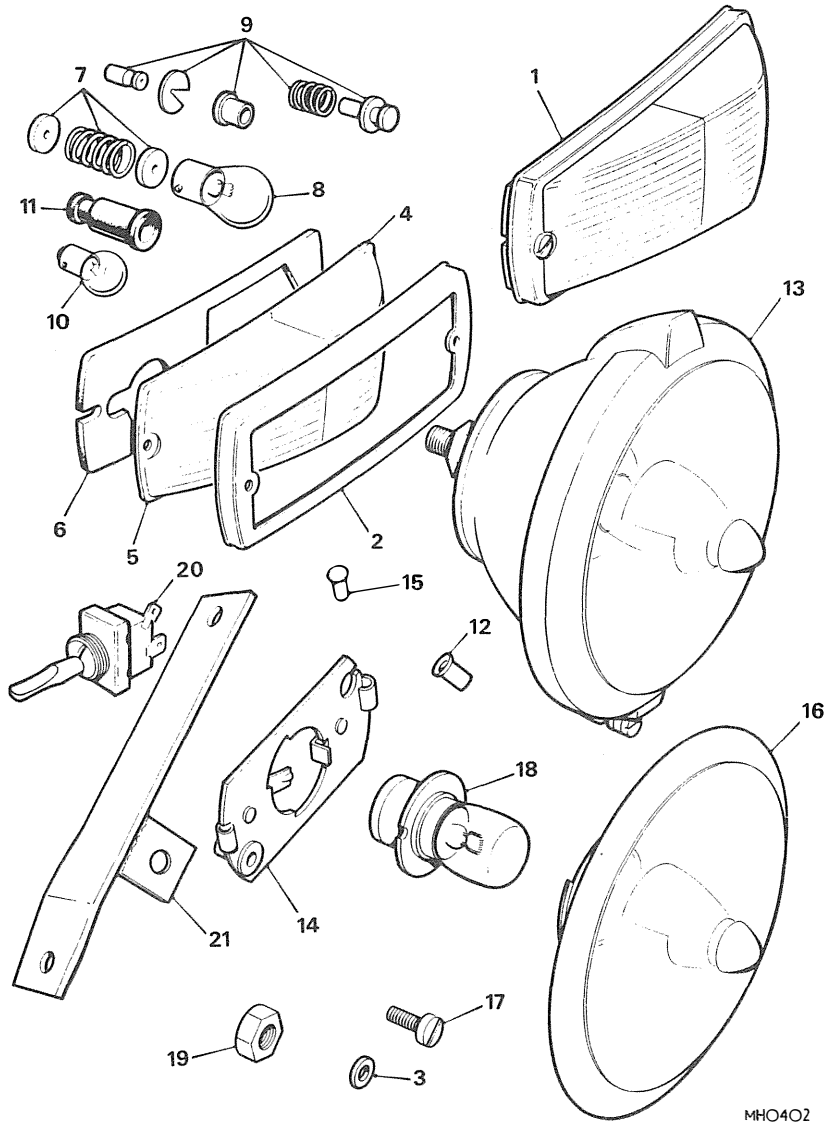
MGB-TOURER,GT AND V8-UPTO SEPTEMBER 1976



MHO/84

Ill. No.	Part No.	DESCRIPTION	Qty.	Change Point	REMARKS
HEADLAMPS-LHD EXCEPT N.AMERICA.					
1	37H 8812	HEADLAMP ASSEMBLY	2		Use BHM 7058
2	67H 5025	Screw-trimmer	4		
3	BMK 2435	Retainer	NLA		
4	37H 7910	Adaptor and cable	2		
5	515218	Plate-light unit retaining	2		
	PJZ 602	Screw	6		
6	67H 5026	Spring	2		
7	GLU 114	Unit-light	NLA		
	GLU 513	Unit-light	2		
8	GLB 501	Bulb-pilot	2		
9	13H 565	Gasket-body	2		
10	57H 5296	Rim	2		
11	37H 2930	Clip and bracket	2		
12	37H 4989	HEADLAMP ASSEMBLY	NLA		Use BHM 7058
2	67H 5025	Screw-trimmer	4		
3	BMK 2435	Retainer	NLA		
13	600226	Adaptor and cable	2		
5	515218	Plate-light unit retaining	2		
	PJZ 602	Screw	6		
6	67H 5026	Spring	2		
7	GLU 515	Unit-light	2		
14	47H 5125	Spring-bulb retaining	2		
15	GLB 411	Bulb-main(yellow)	2		
16	GLB 233	Bulb-pilot	2		
17	27H 5977	Bulbholder	2		
18	244700	Interior	2		
19	47H 5353	Ring-seating	2		
20	37H 7421	Bracket	2		
20	57H 5296	Rim	2		
9	13H 565	Gasket	2		
11	37H 2930	Clip and bracket	2		
21	BHA 5381	HEADLAMP ASSEMBLY	2		Use BHM 7058
2	67H 5025	Screw-trimmer	4		
3	BMK 2435	Retainer	NLA		
13	600226	Adaptor and cable	2		
5	515218	Plate-light unit retaining	2		
	PJZ 602	Screw	6		
6	67H 5026	Spring	2		
7	BHA 5387	Unit-light	2		
16	GLB 233	Bulb-pilot	2		
17	27H 5977	Bulbholder-pilot	2		
18	244700	Interior	2		
19	47H 5353	Ring-seating	2		
9	13H 565	Gasket-body	2		
10	57H 5296	Rim	2		
11	37H 2930	Clip and bracket	2		
	BHM 7058	Kit-trimmer screw	2		

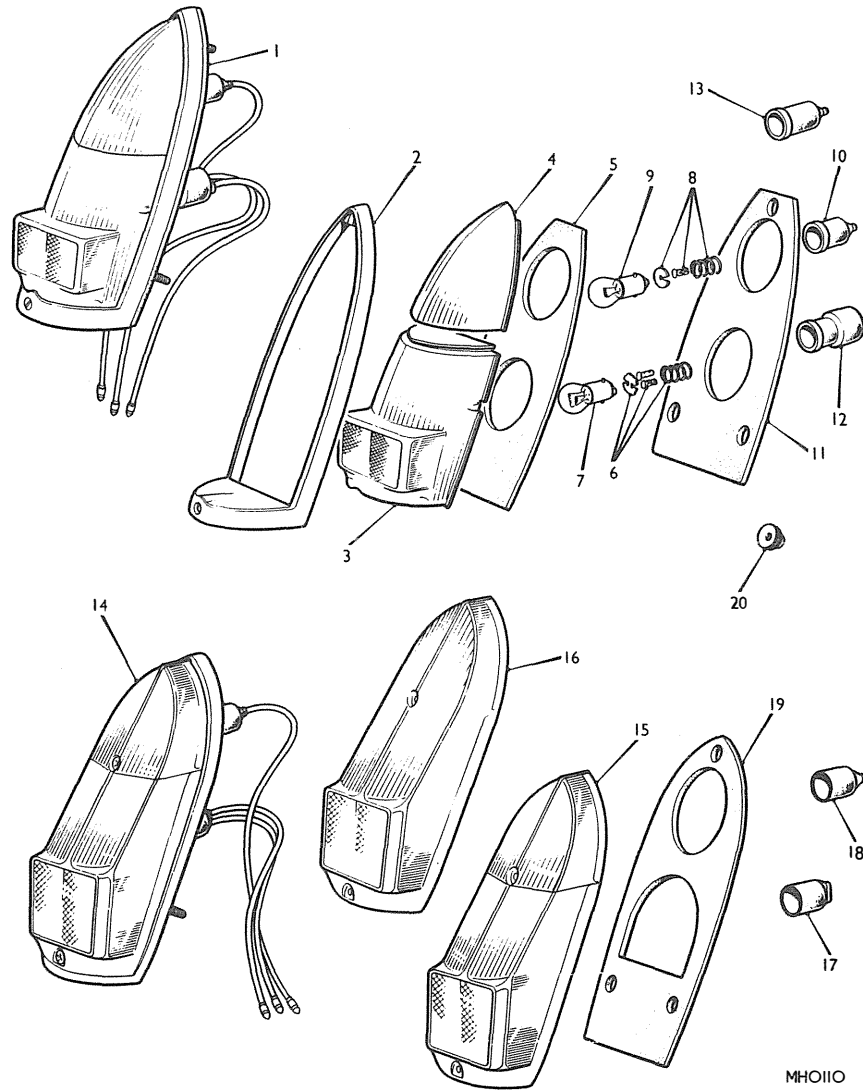
(C)G-HN5-360301 TO
410000
(C)G-HD5-361001 TO
410000



Ill. No.	Part No.	DESCRIPTION	Qty.	Change Point	REMARKS
FOG LAMP AND LONG-RANGE DRIVING LAMP.					
13	BHA 4399	LAMP ASSEMBLY-FOG \$.....	1		Optional extra.
14	57H 5336	Bulb holder	NLA		
15	27H 6713	Sleeve-terminal	NLA		
16	ACG 5179	Light-unit	1	(C)G-HN3-101 TO	
17	17H 5400	Screw-clamping	1	138400	
18	BFS 323	Bulb	1	(C)G-HN4-138401	
	57H 5322	LAMP ASSEMBLY-LONG-RANGE		TO 187210	
		DRIVING	NLA	(C)G-HD3-71933	optional extra
14	57H 5336	Bulb holder	NLA	TO 138401	
15	27H 6713	Sleeve-terminal	NLA	(C)G-HD4-138401	
16	57H 5015	Light-unit	1	TO 187840	
17	17H 5400	Screw-clamping	1		
19	7H 5356	Nut-fixing bolt	1		
18	BFS 185	Bulb	1		
20	5L 193	Switch	1		
	57H 5548	Cable	1		
21	BHH 286	Bracket-RH-Fog/spotlight	1	(C)G-HN5-187211 ON	
	BHH 287	Bracket-LH-Fog/spotlight	1	(C)G-HD5-187841 ON	
				(C)G-D2D1-101 ON	

MHO4O2

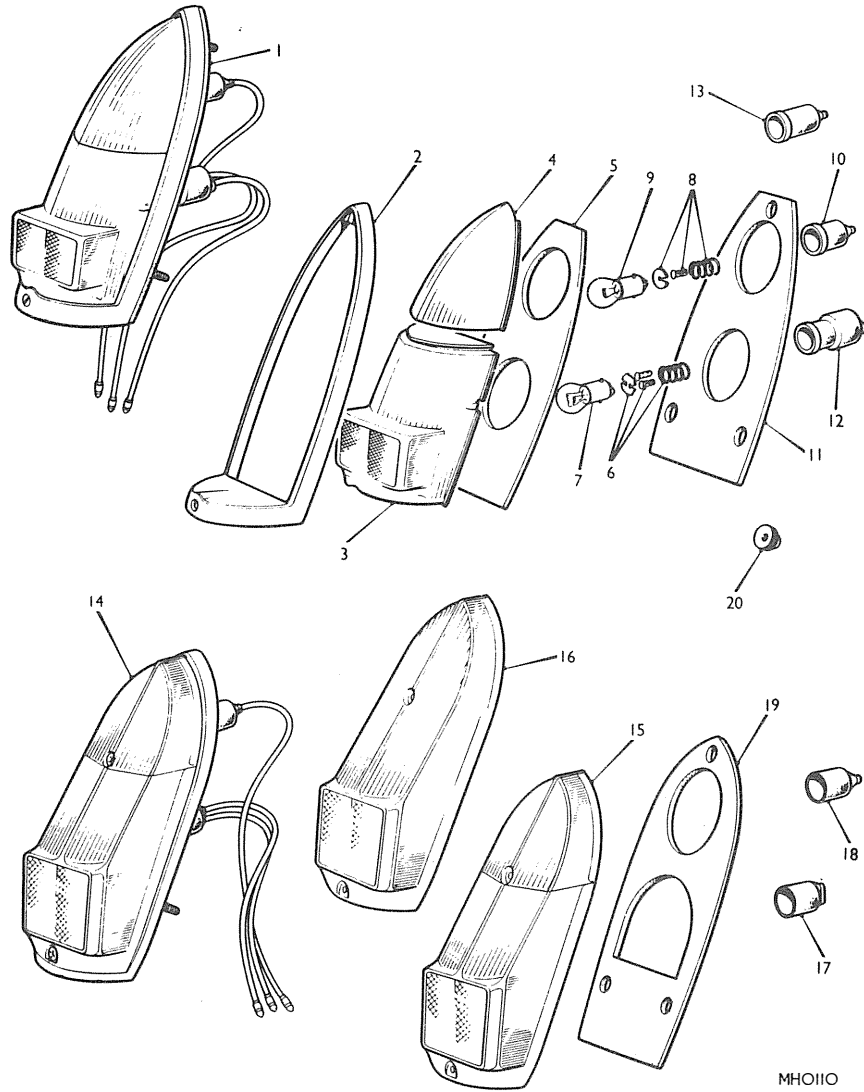
\$ This item is subject to safety regulations.



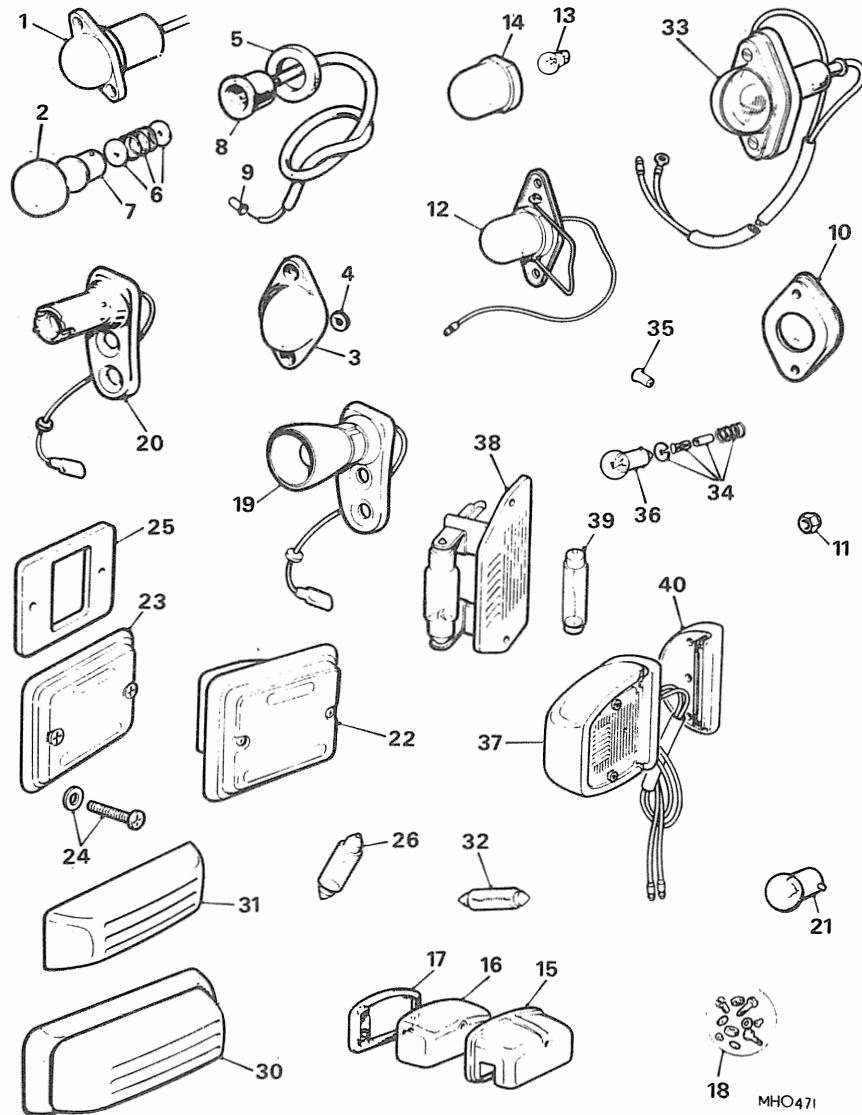
MHOIIO

Ill. No.	Part No.	DESCRIPTION	Qty.	Change Point	REMARKS
REAR LAMPS AND FLASHERS-EXCEPT NORTH AMERICA					
1	BHA 4175	LAMP ASSEMBLY-REAR-AMBER FLASHER.....	2		(C)G-HN3,G-HD3-101 TO 138400 Except West Germany Use BHA 4175 With Lens 57H 5359
1	BHA 4176	LAMP ASSEMBLY-REAR-RED FLASHER-LHD \$.....	NLA		
2	57H 5355	Rim.....	2	(C)G-HN4,G-HD4-138401 TO 187210 (Tourer)	
	RMP 308	Screw.....	2	187840(GT)except West Germany	
3	57H 5357	Lens-stop/tail.....	2	(C)G-HN3,G-HD3-57028 TO 138400	
4	57H 5354	Lens-flasher-Amber.....	2	(C)G-HN4,G-HD4-138401 TO 187210 (Tourer)	
4	57H 5359	Lens-flasher-Red-LHD \$.....	2	187840(GT)	
5	57H 5356	Gasket-lens seating.....	2		
7	GLB 380	Bulb-stop/tail.....	2		
8	37H 5452	Interior-bulb holder-flasher.....	2		
9	GLB 382	Bulb-flasher.....	2		
10	37H 5525	Grommet-cable.....	4		
11	37H 4679 BHA 4488	Gasket-lamp seating.....	2		
LAMP ASSEMBLY-REAR-AMBER FLASHER.....NLA					
2	57H 5355	Rim.....	2	(C)G-HN3,G-HD3-57028 TO 138400	West Germany
	RMP 308	Screw.....	2	(C)G-HN4,G-HD4-138401 TO 187210 (Tourer)	
3	57H 5357	Lens-stop/tail.....	2	187840(GT)	
4	57H 5354	Lens-flasher.....	2		
5	57H 5356	Gasket-lens seating.....	2		
8	37H 5452	Interior-bulb holder-flasher.....	2		
12	57H 5496	Grommet-stop/tail lamp cable.....	2		
13	57H 5465	Grommet-flasher lamp cable.....	NLA		
14	BHA 4973	LAMP ASSEMBLY-REAR AND FLASHER.....	2		
18	37H 2688	Grommet-flasher cable.....	NLA	(C)G-HN5-1187211 TO 410000	
8	37H 5452	Interior-bulb holder-flasher.....	2	(C)G-HD5-187841 TO 410000	
9	GLB 382	Bulb-flasher.....	2		
17	37H 2687	Grommet-stop/tail cable.....	NLA		
7	GLB 380	Bulb-stop/tail.....	2		
19	37H 4679	Gasket.....	2	(C)G-D2D1-101 TO 2903	
15	37H 4737	Lens.....	2		

\$ This item is subject to safety regulations



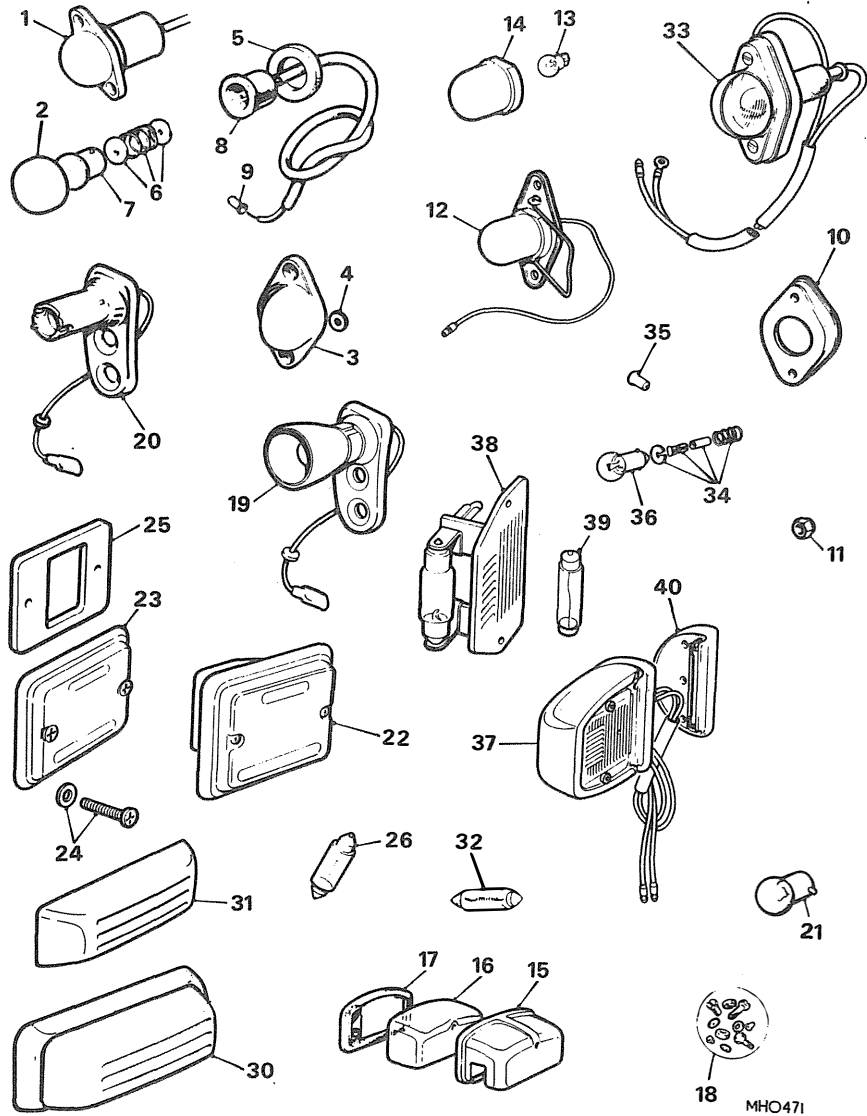
Ill. No.	Part No.	DESCRIPTION	Qty.	Change Point	REMARKS
REAR LAMPS AND FLASHERS-NORTH AMERICA					
14	BHA 4902	LAMP ASSEMBLY-REAR AND			Use BHA 5260 (C)G-HN5-187211 TO 307778 (C)G-HD5-187841 TO 307778 (C)G-HN5,G-HD5- 307779 TO 410000
		FLASHER.....	NLA		
18	37H 2688	Grommet-flasher cable.....	NLA		
8	37H 5452	Interior-bulbholder-flasher.....	2		
9	GLB 382	Bulb-flasher.....	2		
17	37H 2687	Grommet-stop/tail cable.....	NLA		
7	GLB 380	Bulb-stop/tail.....	2		
19	37H 4679	Gasket-lamp.....	2		
16	37H 7119	Lens.....	2		
20	BHA 4242	Fastener-Dotloc-lamp to body.....	6		
	BHA 5260	LAMP ASSEMBLY-REAR AND			
		FLASHER.....	2		
18	37H 2688	Grommet-flasher cable.....	NLA		
8	37H 5452	Interior-bulbholder-flasher.....	2		
9	GLB 382	Bulb-flasher.....	2		
17	37H 2687	Grommet-stop/tail cable.....	NLA		
7	GLB 380	Bulb-stop/tail.....	2		
19	37H 4679	Gasket-lamp.....	2		
	37H 7119	Lens.....	2		
20	BHA 4242	Fastener-Dotloc-lamp to body.....	6		



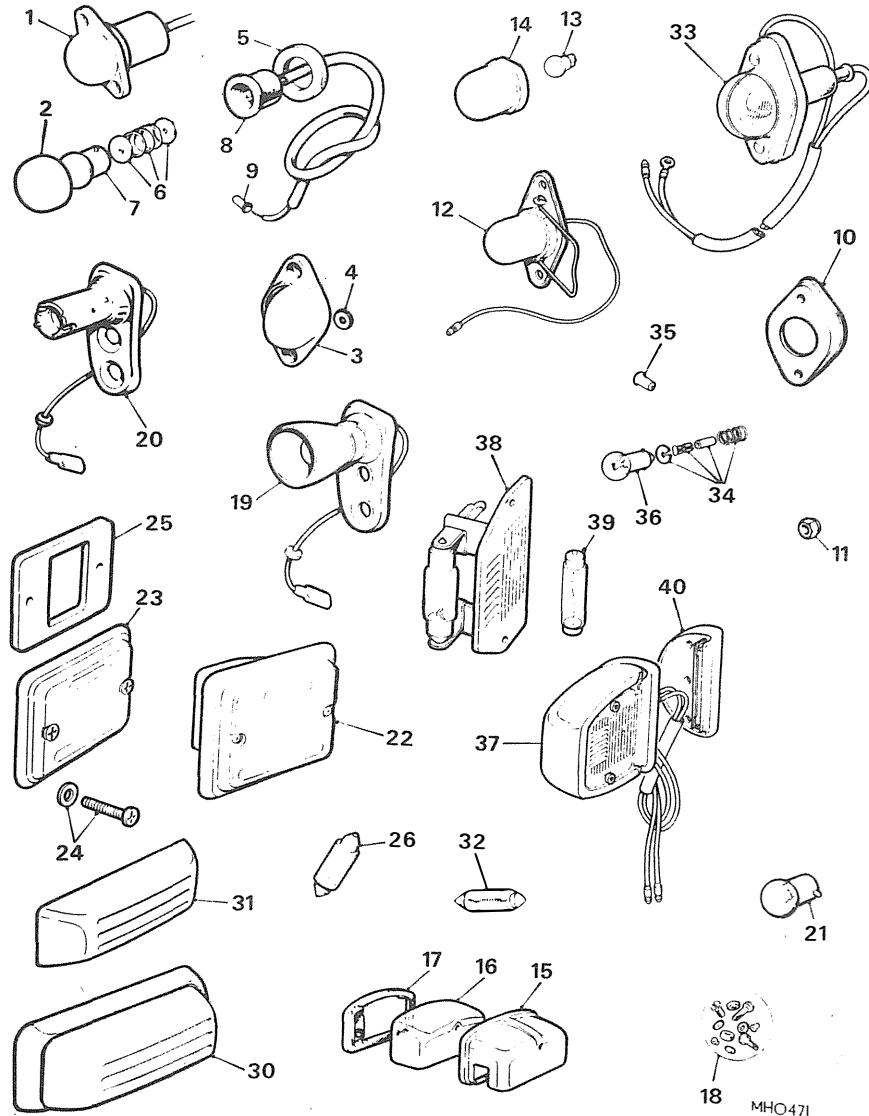
Ill. No.	Part No.	DESCRIPTION	Qty.	Change Point	REMARKS
----------	----------	-------------	------	--------------	---------

LAMP-NUMBER PLATE

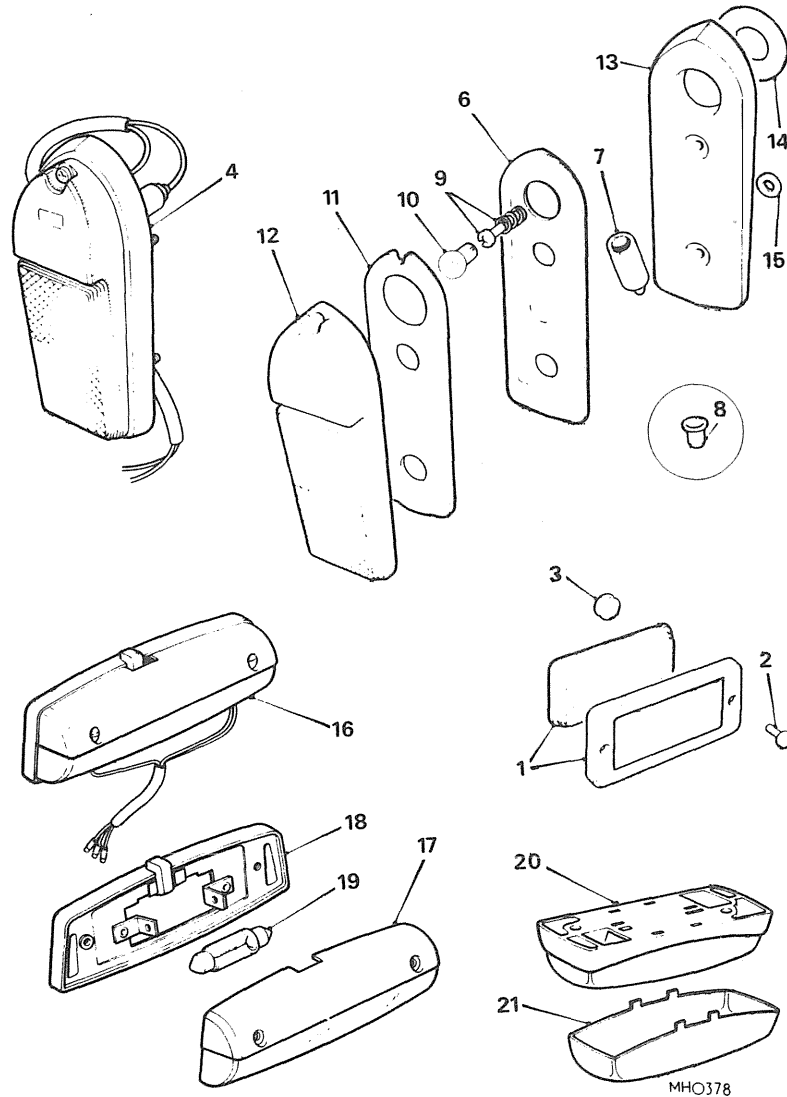
1	BHA 4283	LAMP ASSEMBLY-NUMBER-PLATE \$	2		(C)G-HN3,G-HD3-101 TO 138400 except W.Germany (C)G-HN4-138401 TO 187210 (C)G-HN5-187211 TO 339964 (C)G-HD4-138401 TO 187840 (C)G-HD5-187841 TO 339964 except W.Germany (C)G-HN3-101 TO 57027 W.Germany (C)G-HN4,G-HD4-138401 TO 187210 (Tourer)187840(GT) N.America (C)G-HN5,G-HD5-219001 TO 339964 Japan and W.Germany (C)G-HN5-219001 TO 339094, (C)G-HD5-219001 TO 339470(N.America) (C)G-D2D1-101 TO 1247	
2	606078	Glass	2			
3	37H 5426	COVER ASSEMBLY	2			
4	21G 9057	Washer-screw retaining	4			
5	17H 5302	Gasket-lens seating	2			
6	37H 5452	Interior-bulb holder	2			
7	GLB 207	Bulb	2			
8	17H 5216	Grommet-cable	2			
9	27H 6713	Sleeve-terminal	2	NLA		
10	AHH 6398	Plinth-number-plate lamp-RH	1			
	AHH 6399	Plinth-number-plate lamp-LH	1			
	RMP 320	Screw	2			
	RMP 316	Screw	2			
11	53K 1420	Nut	4			
12	BHA 4965	LAMP ASSEMBLY-NUMBER-PLATE	2		(C)G-HN5-187211 TO 219000 (C)G-HD5-187841 TO 219000 (C)G-HN3,G-HD3-57028 TO 138400 W.Germany (C)G-HN3,G-HD3-101 TO 138400 Japan (C)G-HN4-138401 TO 187210 (C)G-HN5-187211 TO 219000 (C)G-HD4-138401 TO 187840 (C)G-HD5-187841 TO 219000	
13	GLB 501	Bulb	2			
14	27H 5380	Cover-glass	2			
	PMZ 308	Screw	4			
	BHA 4494	LAMP ASSEMBLY-NUMBER-PLATE	4	NLA		
15	502264	Cover	2			
16	601724	Lens	2			
17	57H 5368	Gasket-lens seating	2	NLA		
18	7H 5123	Sundry parts	2	STS		
						West Germany AND Japan
						N.America



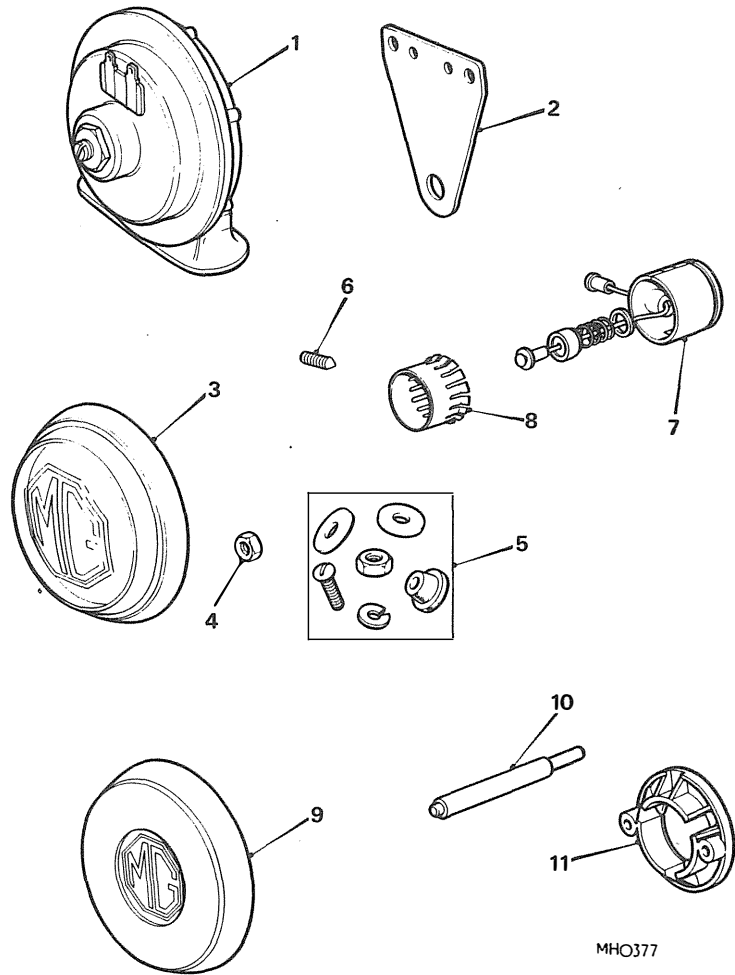
Ill. No.	Part No.	DESCRIPTION	Qty.	Change Point	REMARKS
MAP AND GEAR ILLUMINATION LIGHT					
3	37H 5426	COVER ASSEMBLY-MAP LIGHT.....	1	(C)G-HN3,G-HD3-101 TO 138400 (C)G-HN4-138401 TO 187210 (C)G-HN5-187211 TO 258000 (C)G-HD4-138401 TO 187840 (C)G-HD5-187841 TO 258000 (C)G-HN4,G-HD4-138401 USA,153878 Canada to 219000	N.America Not fitted after (C)258000 Automatic except N.America
4	21G 9057	Washer-screw retaining.....	1		
3	AHH 8886	COVER ASSEMBLY-MAP LIGHT \$	1		
4	21G 9057	Washer-screw retaining.....	1		
2	606078	Glass-map light.....	1		
5	17H 5302	Gasket-seating.....	1		
	RMP 310	Screw-map light.....	2		
	LWZ 203	Washer-spring.....	2		
	FNZ 103	Nut.....	2		
	BHA 4483	LAMP ASSEMBLY-GEAR ILLUMINATION.....	NLA		
20	37H 5452	Bulbholder.....	1	(C)G-HN4,G-HD4-138401 TO 258000	Automatic except N.America
21	GLB 989	Bulb.....	1		
	RMP 308	Screw.....	1		
	PWZ 103	Washer-plain.....	1		
	LWZ 203	Washer-spring.....	1		



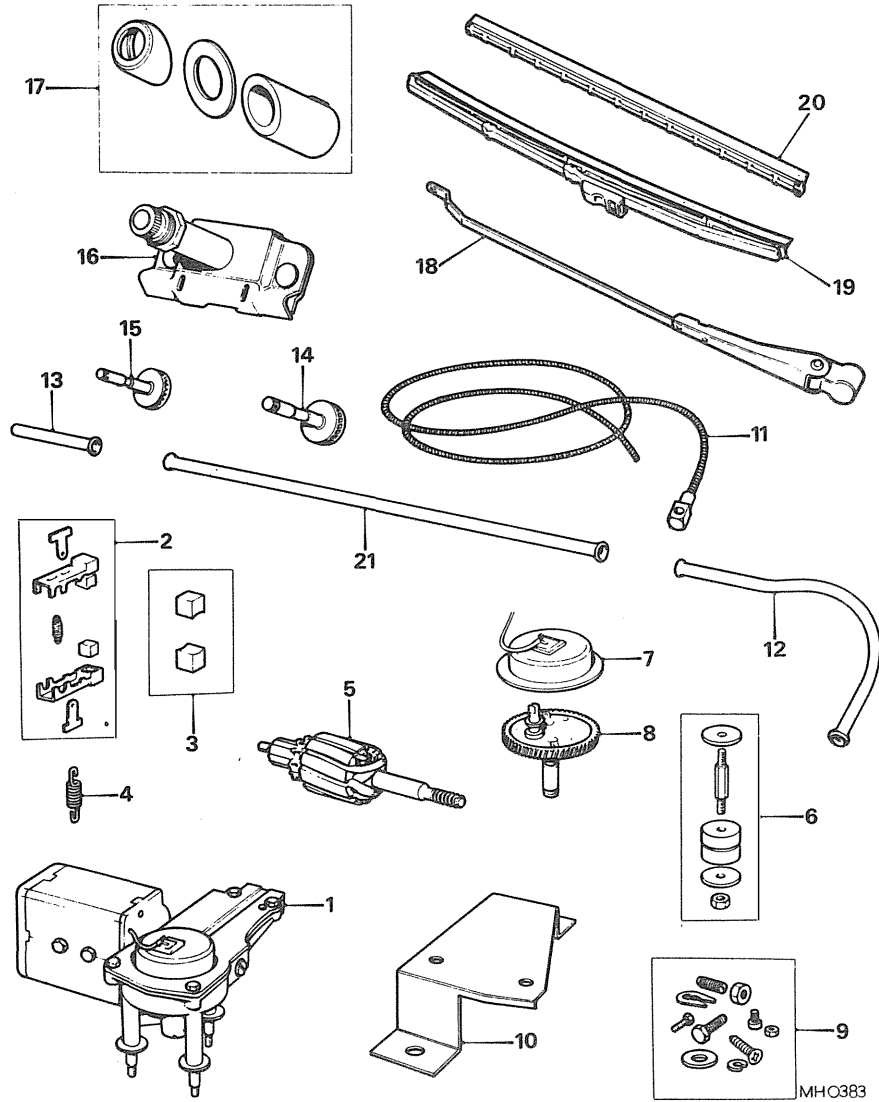
Ill. No.	Part No.	DESCRIPTION	Qty.	Change Point	REMARKS
REVERSE LAMP AND ROOF LAMP					
22	BHA 5167	LAMP ASSEMBLY-REVERSE \$	2	(C)G-HN3,G-HD3-101 TO 138400 (C)G-HN4-138401 TO 187210 (C)G-HD4-138401 TO 187840 (C)G-HN5-187211 TO 268698 N.America 187221 TO 410000 Except N.America	Use 37H 3751
23	37H 1760	LENS ASSEMBLY \$	2		
24	27H 8811	Screw-lens-fixing	NLA		
24	37H 3751	Screw-lens fixing	4		
25	37H 1759	Gasket-lens seating	4		
26	GLB 273	Bulb	2		
27	BHA 5167	LAMP ASSEMBLY-REVERSE \$	2	(C)G-HN5,G-HD5-268698 TO 307778 N.America 187841 TO 410000 Except N.America	USA and Canada
28	37H 7512	Lens \$	2		
25	37H 1759	Gasket	4		
29	GLB 270	Bulb	2	(C)G-HN5,G-HD5-307779 TO 410000 (B)MGB-100016 ON (less 100139 TO 100220) (B)GBD-16928 ON AND 100349 TO 100413	Use 37H 3751 France
29	BHA 5262	LAMP ASSEMBLY-REVERSE \$	2		
28	37H 7512	Lens \$	2		
25	37H 1759	Gasket	4		
29	GLB 270	Bulb	2		
22	BHA 4621	LAMP ASSEMBLY-REVERSE	2		
23	37H 3400	LENS ASSEMBLY	2	(B)MGB-100016 ON (less 100139 TO 100220) (B)GBD-16928 ON AND 100349 TO 100413	Use 37H 3751 France
24	27H 8811	Screw	NLA		
24	37H 3751	Screw-lens fixing	4		
25	37H 1759	Gasket-lens seating	2		
26	37H 1547	Bulb	2		
30	CHM 16	LAMP ASSEMBLY-ROOF \$	1		
31	24G 3389	Lens	1	GT and V8	
32	GLB 254	Bulb	1		
	PTZ 806	Screw	2		



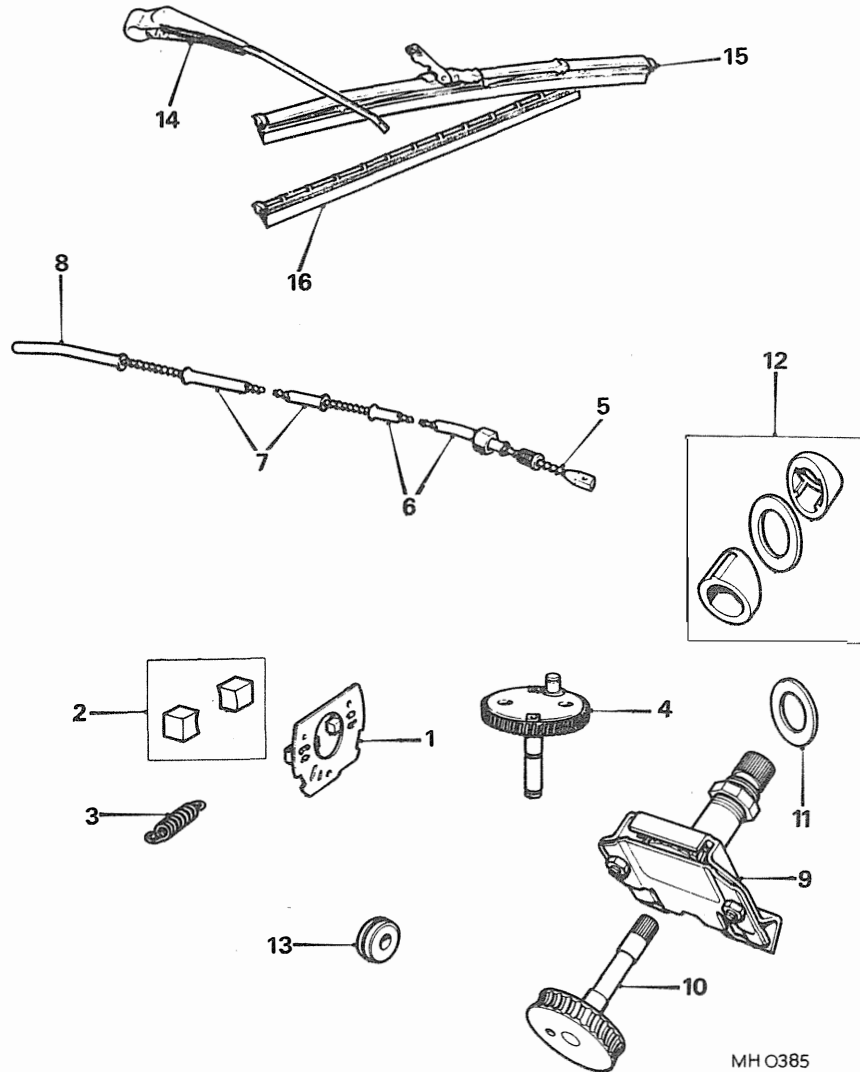
Ill. No.	Part No.	DESCRIPTION	Qty.	Change Point	REMARKS
REFLEX LAMPS, REFLECTORS AND COURTESY LAMPS					
1	13H 4689	Reflector-reflex-Amber-front wing \$	2	(C)G-HN4,G-HD4-158231 TO 187210(Tourer) 187840(GT)	
1	BCA 4568	Reflector-reflex-Red-rear wing \$	2		
2	AHH 8783	Rivet	8		
3	BHA 4843	Push-on fix	NLA		
4	BHA 4968	LAMP-REFLEX-SIDE MARKER FRONT-RH	1		
	BHA 4969	LAMP-REFLEX-SIDE MARKER FRONT-LH	1		
4	BHA 4970	LAMP-REFLEX-SIDE MARKER REAR-RH	1		
	BHA 4971	LAMP-REFLEX-SIDE MARKER REAR-LH	1		
6	37H 4752	Gasket-lamp seating	4		
7	24G 6354	Grommet-cable	4		
8	27H 6713	Sleeve-terminal	NLA	(C)G-HN5-187211 TO 410000 (C)G-HD5-187841 TO 367803	N.America
9	244700	Interior-bulb holder	4		
10	GLB 989	Bulb	4		
11	37H 4753	Gasket-lens seating	4		
12	11727	Lens-front-RH	1		
	11730	Lens-front-LH	1		
12	37H 4756	Lens-rear-RH	1		
	37H 4757	Lens-rear-LH	1		
13	AHH 9964	Plinth-side marker-front-RH	1		
	AHH 9965	Plinth-side marker-front-LH	1		
13	AHH 9966	Plinth-side marker-rear-RH	1		
	AHH 9967	Plinth-side marker-rear-LH	1		
14	AHA 9485	Seal-plinth	NLA		
15	AHA 9484	Washer-sealing	NLA		
	PWZ 203	Washer-plain	8		
	LNZ 203	Nut	8		
16	BHA 5138	LAMP ASSEMBLY-COURTESY-INTERIOR	1	(C)G-HN5-219001 TO 410000 (C)G-HD5-219001 TO 410000 (C)G-D2D1-101 TO 2903	
17	27H 3590	Lens and bezel	1		
18	27H 3589	Back plate, bulb holder and switch	1		
	GLB 254	Bulb	1		
	PMZ 208	Screw	2		
	LWZ 202	Washer	2		
	ANZ 102	Nut	2		
20	BHA 5040	LAMP ASSEMBLY-COURTESY-TRUNK	1		
21	37H 5923	Lens	1		
	GLB 254	Bulb	1		
	PWZ 102	Washer	2		
	PTZ 606	Screw	2		



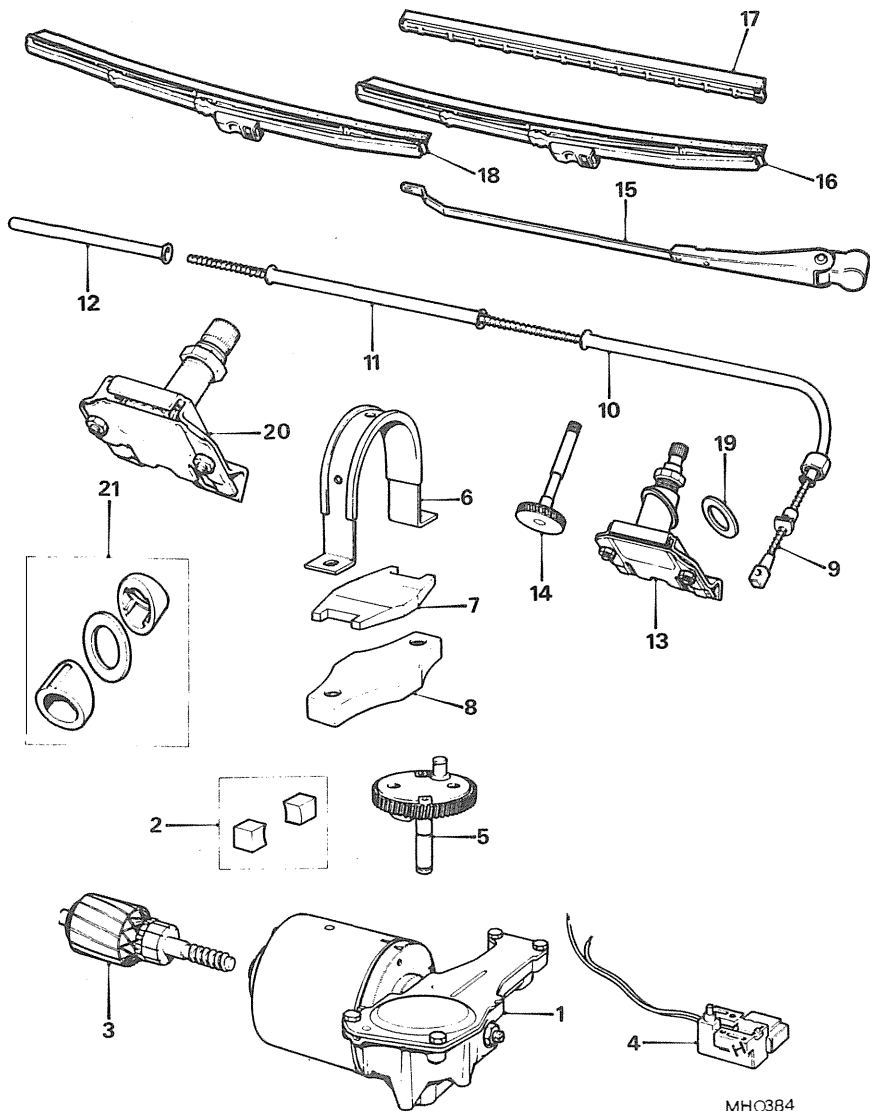
Ill. No.	Part No.	DESCRIPTION	Qty.	Change Point	REMARKS
HORN AND CONTROLS					
1	BHA 4515	HORN ASSEMBLY-high note.....	NLA	(C)G-HN3-101 TO 5812	Use 37H 7542. Use 37H 7543. Quantity increased when twin horns are fitted
2	BHA 4514	HORN ASSEMBLY-low note	NLA		
2	57H 5309	Bracket.....	1/2		
	37H 7542	HORN-HIGH NOTE(LESS BRACKET).....	1		
	37H 7543	HORN-LOW NOTE(LESS BRACKET).....	1		
1	13H 6618	HORN ASSEMBLY-high note	1	(C)G-HN3,G-HD3-5813 TO 138400 (C)G-HN4,G-HD4-138401 TO 187210 (Tourer)187840(GT)	
2	13H 6623	HORN ASSEMBLY-low note	1		
2	17H 8641	Bracket.....	1/2	(C)G-HN5-187211 TO 360300 (C)G-HD5-187841 TO 361000 (C)G-D2D1-101 TO 2100	
1	BHA 4975	HORN ASSEMBLY-high note(Lucas).....	1	(C)G-HN5-360301 TO 410000 (C)G-HD5-361001 TO 410350 (C)G-D2D1-2101 TO 2903	
2	BHA 4976	HORN ASSEMBLY-low note(Lucas).....	1		
	17H 8641	Bracket.....	2		
	BHA 5365	Horn-high note-Mixo	1	Quantity increased WHEN TWIN HORNS ARE FITTED	
	BHA 5366	Horn-low note-Mixo.....	1		
	SE 604051	Screw	2/4	(C)G-HN3,G-HD3-101 TO 138400 (C)G-HN4,G-HD4-138401 TO 187210 (Tourer)187840(GT) (Except N.America)	
	LWZ 204	Washer-spring	2/4		
	PWZ 104	Washer-plain.....	2/4		
	FNZ 104	Nut	2/4		
3	AHH 6319	HORN-PUSH ASSEMBLY	1		
4	27H 5869	Nut	3		
5	37H 5581	Sundry parts	1SET		
6	53K 2613	Screw	3		
7	7H 6903	Rotor-top and bottom(with cable)	NLA		
8	27H 5401	Slip-ring	1		
9	BHA 5043	Horn-push.....	1	(C)G-HN5,G-HD5-219001 TO 258000 (C)G-HN5,G-HD5-258001 TO 369258 (Tourer)369697(GT) (C)G-D2D1-101 TO 2903	
9	BHA 5135	Horn-push	1		
9	AAU 1161	Horn-push.....	1	(C)G-HN5-369259 TO 410000 (C)G-HD5-369698 TO 410350.	
10	BHA 5041	Brush.....	1	(C)G-HN5-219001 TO 410000 (C)G-HD5-219001 TO 410350 (C)G-D2D1-101 TO 2903	
11	BHA 5042	Slip-ring	1		



Ill. No.	Part No.	DESCRIPTION	Qty.	Change Point	REMARKS
WINDSCREEN WIPERS-G-HN3-TOURER					
	17H 2013	MOTOR ASSEMBLY-WINDSCREEN WIPER.....	NLA	(C)G-HN3-101 TO 6916	Use GEU 714.
1	57H 5599	MOTOR ASSEMBLY-WINDSCREEN WIPER.....	NLA	(C)G-HN3-6917 TO 138400	Use GEU 714.
1	GEU 714	MOTOR ASSEMBLY-WINDSCREEN WIPER.....	1		
2	17H 5396	BRUSH GEAR ASSEMBLY	1		
3	7H 5130	Brush.....	1SET		
4	27H 5309	Spring-brush	1	(C)G-HN3-101 TO 138400	
5	511003	Armature.....	1		
6	17H 5431	Fixing parts.....	3STS		
7	57H 5559	Switch-parking.....	1		
8	57H 5589	Shaft and gear	1	(C)G-HN3-101 TO 6916	
8	47H 5307	Shaft and gear	1	(C)G-HN3-6917 TO 138400	
9	17H 5441	Sundry parts	1SET		
10	HZS 126	Bracket-wiper motor	NLA		
	HZS 405	Screw	3	(C)G-HN3-101 TO 138400	
	LWZ 204	Washer-spring	3		
	PWZ 204	Washer-plain	3		
11	508162	Cross-head(with rack).....	1		
12	BHA 4391	Casing-motor to wheelbox.....	NLA	(C)G-HN3-6917 TO 138400	
12	BHA 4323	Casing-wheelbox to wheelbox	1	(C)G-HN3-101 TO 138400	
13	13H 5412	Casing-wheelbox extension	1	138400	
	BHA 4324	WHEELBOX ASSEMBLY.....	NLA	(C)G-HN3-101 TO 6916	
14	AJH 5079	Spindle and gear	2		Use 37H 6824
	BHA 4392	WHEELBOX ASSEMBLY.....	NLA		
15	17H 6675	Spindle(with gear).....	2		
	FNZ 103	Nut	2	(C)G-HN3-6917 TO 138400	
	FNZ 103	Nut-cover	4		
16	37H 6824	Wheelbox(less bushes).....	2		
17	519988	Kit-bush	2		Use with 37H 6824
	BHA 4321	Arm-wiper-LHD.....	2	(C)G-HN3-101 TO 6916	
18	37H 4952	Arm-wiper-RHD	2	(C)G-HN3-6917 TO 138400	
	BHA 4396	Arm-wiper-LHD.....	2		
19	GWB 202	BLADE ASSEMBLY-WIPER	2		
20	57H 5311	Rubber	2] Alternatives
20	37H 4444	Rubber	2		



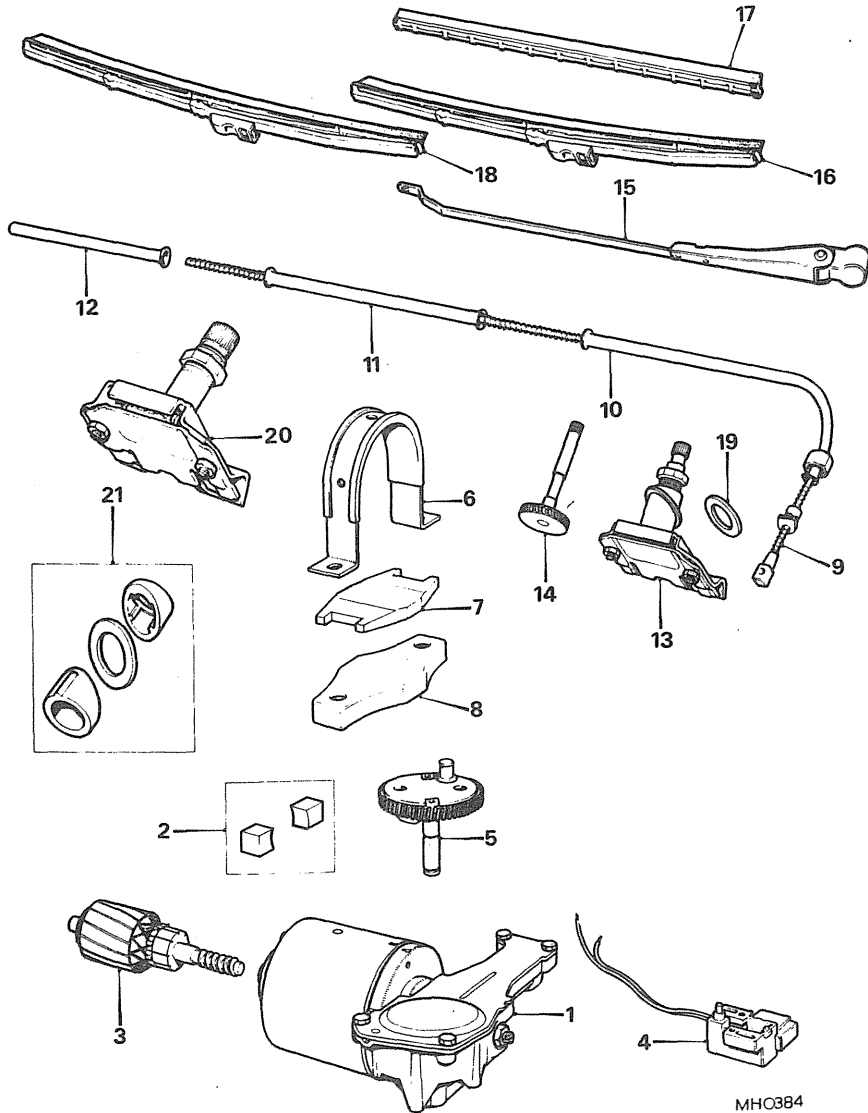
Ill. No.	Part No.	DESCRIPTION	Qty.	Change Point	REMARKS
WINDSCREEN WIPERS-G-HD3-GT					
	27H 6409	MOTOR WINDSCREEN WIPER-RHD.....	NLA		Use GEU 708.
	GEU 708	MOTOR WINDSCREEN WIPER-RHD.....	1		
	27H 6429	MOTOR WINDSCREEN WIPER-LHD.....	NLA		Use AAU 1073 with 37H 6879
1	27H 6411	BRUSH ASSEMBLY-GEAR.....	1		
2	27H 6412	Brush.....	1SET		
3	27H 6413	Spring-bush.....	1		
4	27H 6420	Shaft(with gear)-RHD.....	1		
	27H 6424	Shaft(with gear)-LHD.....	1		
5	508182	Cross-head(with rack).....	1		
6	AHH 7480	Casing-motor to wheelbox.....	NLA		
7	AHH 7471	Casing-wheelbox to wheelbox.....	NLA		
8	13H 5412	Casing-wheelbox extension.....	1		
9	BHA 4529	WHEELBOX ASSEMBLY.....	NLA		
10	27H 6425	Spindle(with gear).....	2		
11	27H 6428	Washer(rubber).....	2		
	FNZ 103	Nut-cover.....	4		
9	37H 6087	Wheelbox(less spindle and bush).....	NLA		
9	AAU 1073	Wheelbox(less spindle and bush).....	NLA		
12	37H 6879	Kit-bush.....	2		
13	13H 2189	Grommet-wiper motor.....	4		
14	BHA 4546	Arm-wiper-RHD.....	2		
	BHA 4548	Arm-wiper-LHD.....	2		
15	GWB 142	BLADE ASSEMBLY-WIPER.....	2		
16	17H 2473	Rubber.....	2		



Ill. No.	Part No.	DESCRIPTION	Qty.	Change Point	REMARKS
WINDSCREEN WIPERS-G-HN4,G-HN5-TOURER					
1	37H 2732	MOTOR ASSEMBLY-WINDSCREEN WIPER(LESS GEAR)/A/B AND D \$.....	NLA		
1	GEU 708	MOTOR ASSEMBLY-WINDSCREEN WIPER(LESS GEAR).....	1		Use GEU 708
2	517644	Brush A/B \$.....	1SET		
3	37H 2735	Armature.....	1		
4	37H 2734	Switch-parking A/B.....	1		
	RTC 198	Brush D.....	1		
	37H 6784	Switch-parking.....	1		
5	37H 3045	Gear-wiper motor-RHD.....	1		
	37H 3046	Gear-wiper motor-LHD \$.....	NLA		
6	BHA 4790	Strap-wiper motor.....	1		
7	150844	Pad-wiper motor.....	1		
8	AHH 8766	Packing-wiper motor.....	NLA		
	SH 604111	Screw.....	2		
	LWZ 204	Washer-spring.....	2		
	PWZ 204	Washer-plain.....	2		
9	37H 5208	Cross-head(with rack).....	1		Cut to required length
10	AHH 8770	Casing-motor to wheelbox.....	NLA		
	AAU 1909	Casing-motor to wheelbox.....	1		Use AAU 1909
11	BHA 4323	Casing-wheelbox to wheelbox.....	1		Cut to required Length
					(C)G-HN4-138401 TO 158230 N.America
					(C)G-HN4-138401 TO 187210
					(C)G-HN5-187211 TO 410000
					Except N.America
12	13H 5412	Casing-wheelbox extension.....	1		
13	BHH 4763	WHEELBOX ASSEMBLY \$.....	NLA		Use 37H 6314 with bush 37H 6875
14	27H 2330	Spindle and gear \$.....	2/3		
	FNZ 103	Nut.....	2/3		
	FNZ 103	Nut.....	4/6		
	37H 6314	Wheelbox-less bush.....	2/3		Use prior to 37H 7738.
	37H 7738	Wheelbox-less bush.....	2/3		(C)G-HN5-368223 TO 410000
	519988	Bush.....	2/3		

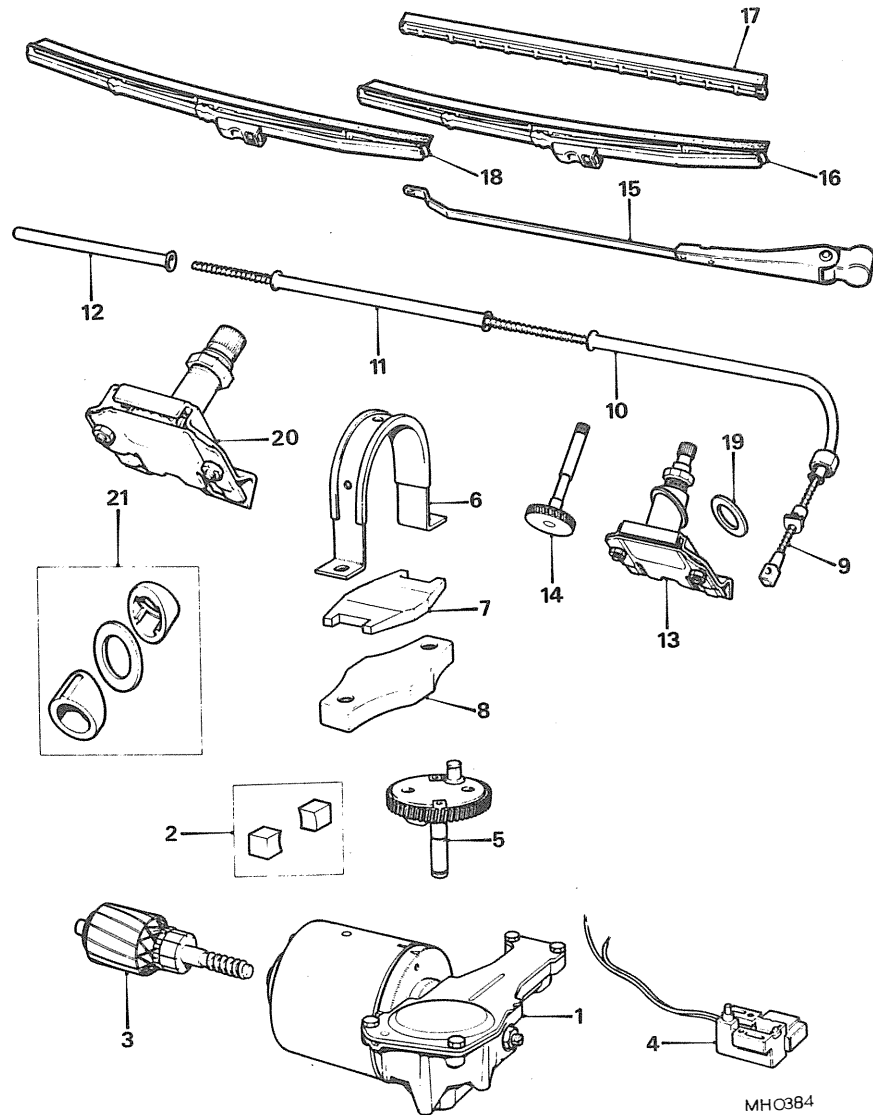
NOTE:
Reference must always be made to the suffix letter of the manufacturer's part number on the motor to ensure the correct ordering of component parts.

\$ This item is subject to safety regulations



Ill. No.	Part No.	DESCRIPTION	Qty.	Change Point	REMARKS
WINDSCREEN WIPERS-G-HN4,G-HN5-TOURER-continued.					
15	BHA 4814	Arm-wiper-RHD.....	2	(C)G-HN4-138401 TO 167576	
	BHA 4816	Arm-wiper-LHD \$	2	(C)G-HN4-138401 TO 158230(N.America)	
				(C)G-HN4-138401 TO 167576(except N.America)	
13H	5460	Arm-wiper-LHD(N.America) \$	3	(C)G-HN4-158231 TO 164063	
15	BHA 4914	Arm-wiper-RHD \$	2	(C)G-HN4-167577 TO 187210	
				(C)G-HN5-187211 TO 246076	
15	BHA 4913	Arm-wiper-RHD	2	(C)G-HN5-246077 TO 294250	
15	BHA 5201	Arm-wiper-RHD \$	2	(C)G-HN5-294251 TO 410000	
	BHA 4915	Arm-wiper-LHD(except N.America).....	2	(C)G-HN4-167577 TO 187210	
				(C)G-HN5-187211 TO 294250	
	BHA 5203	Arm-wiper-LHD(except N.America) \$	2	(C)G-HN5-294251 TO 360300	
	BHA 4913	Arm-wiper-LHD(N.America)	3	(C)G-HN4-164064 TO 187210	
				(C)G-HN5-187211 TO 294250	
	BHA 5201	Arm-wiper-LHD(N.America) \$	3	(C)G-HN5-294251 TO 410000	
	BHA 5201	Arm-wiper-LHD (except N.America) \$	3	(C)G-HN5-360301 TO 410000	
16	GWB 202	BLADE ASSEMBLY-WIPER \$	2/3	(C)G-HN4-138401 TO 167576(EXCEPT N.America)	
17	57H 5311	Rubber	2/3	164063(N.America)	
				(C)G-HN4-167577 TO 187210	
16	GWB 141	BLADE ASSEMBLY-WIPER \$	2/3	(C)G-HN5-187211 TO 294250(except N.America)	
17	37H 4444	Rubber	2/3	(C)G-HN4-164064 TO 187210	
				(C)G-HN5-187211 TO 294250(N.America)	
18	GWB 216	Blade-wiper.....	2/3	(C)G-HN5-294251 TO 410000	

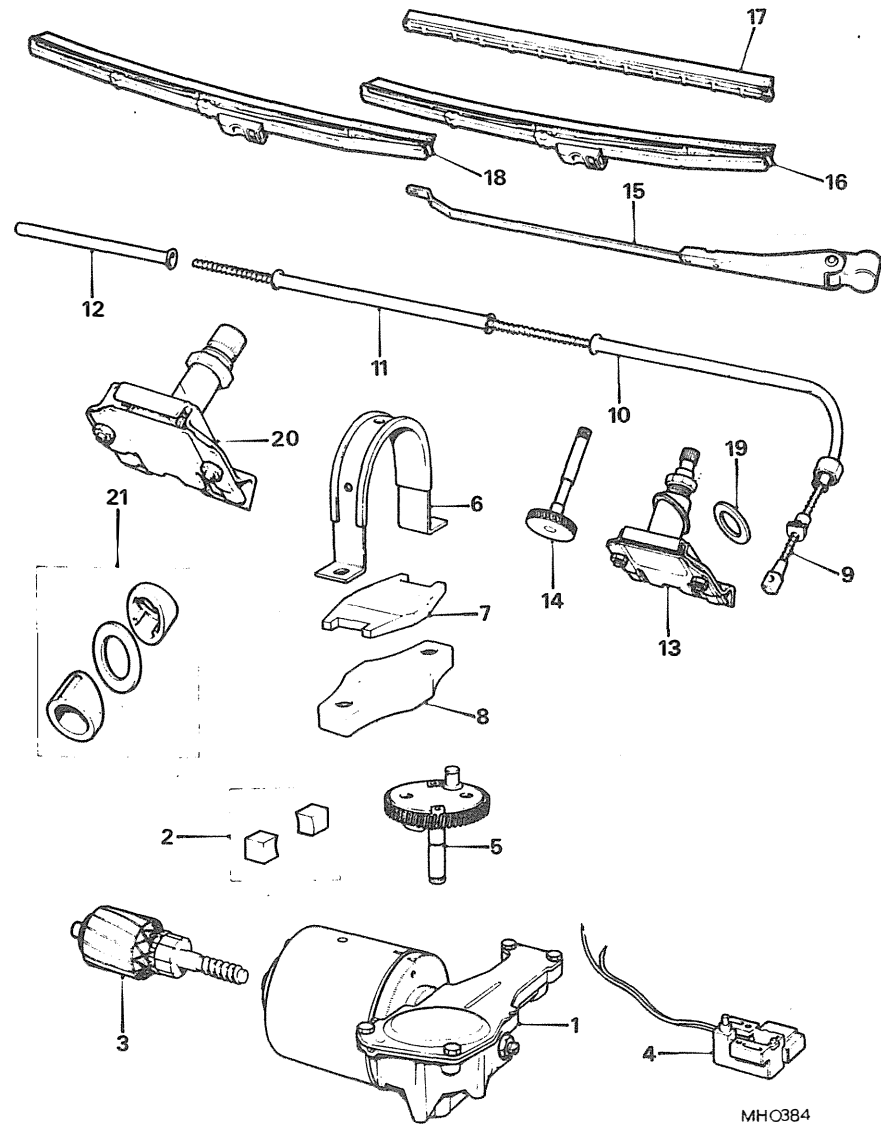
\$ This item is subject to safety regulations.



Ill. No.	Part No.	DESCRIPTION	Qty.	Change Point	REMARKS
WINDSCREEN WIPERS-G-HD4,G-HD5-GT AND V8					
1	37H 2732	MOTOR ASSEMBLY-WINDSCREEN			Use GEU 708
	GEU 708	WIPER(LESS GEAR)A/B AND D \$	NLA		
		MOTOR ASSEMBLY-WINDSCREEN			
		WIPER(LESS GEAR)	1		
2	517644	Brush A/B \$	1SET		
3	37H 2735	Armature	1		
4	37H 2734	Switch-parking A/B	1		
	RTC 198	Brush D	1		
	37H 6784	Switch-parking	1		
5	37H 3047	Gear-wiper motor-RHD	1] (C)G-HD4-138401 TO 158230 (C)G-HD4-158231 TO 187840 (C)G-HD5-187841 TO 410350 (C)G-D2D1-101 TO 2903
	37H 3048	Gear-wiper motor-LHD \$	1		
	37H 4308	Gear-wiper motor-RHD	1		
	37H 4309	Gear-wiper motor-LHD \$	1		
6	BHA 4790	Strap-wiper motor	1		
7	150844	Pad-wiper motor	1		
8	AHH 8766	Packing-wiper motor	NLA		
	SH 604111	Screw	2		
	LWZ 204	Washer-spring	2		
	PWZ 204	Washer-plain	2		
9	37H 5208	Cross-head(with rack)	1		Cut to required length.
10	AHH 8771	Casing-motor to wheelbox	NLA		Use AAU 1909
	AAU 1909	Casing-motor to wheelbox	1		Cut to length Required
11	AHH 7471	Casing-wheelbox to wheelbox	1		
12	13H 5412	Casing-wheelbox extension	1		
	BHA 4529	WHEELBOX ASSEMBLY \$	NLA		Use AAU 1073 and 37H 6879
14	27H 6425	Spindle and gear \$	2		
	FNZ 103	Nut	2		
19	27H 6428	Washer(rubber)	2		
	FNZ 103	Nut	4		
20	37H 6087	WHEELBOX(less spindle and bush)	NLA		Use prior to AAU 1073.
	AAU 1073	WHEELBOX	2		(C)G-HD5-369229 TO 410350 (C)G-D2D1-2186 TO 2903
21	37H 6879	Kit-bush	2		Use with 37H 6087 and AAU 1073.

NOTE. Reference must always be made to the suffix letter of the manufacturer's part number on the motor to ensure the correct ordering of component parts.

\$ This item is subject to safety regulations.



Ill. No.	Part No.	DESCRIPTION	Qty.	Change Point	REMARKS
WINDSCREEN WIPERS-G-HD4,G-HD5-GT AND V8-continued.					
15	BHA 4817	Arm-wiper-RHD	2] (C)G-HD4-138401 TO 158230	
	BHA 4819	Arm-wiper-LHD.....	2		
15	BHA 4881	Arm-wiper-RHD	2] (C)G-HD4-158231 TO 187840	
	BHA 4880	Arm-wiper-LHD \$	2		
15	BHA 5205	Arm-wiper-RHD \$	2] (C)G-HD5-187841 TO 296000	
	BHA 5204	Arm-wiper-LHD \$	2		
16	GWB 143	BLADE ASSEMBLY-WIPER \$	2] (C)G-HD5-296001 TO 410350	
17	17H 2473	Rubber	2		
18	GWB 144	Blade-wiper \$	2] (C)G-D2D1-101 TO 2903	
18	GWB 217	Blade-wiper \$	2		
					(C)G-HD4-158231 TO 187840 (C)G-HD5-187841 TO 296000 (C)G-HD5-296001 TO 410350 (C)G-D2D1-101 TO 2903