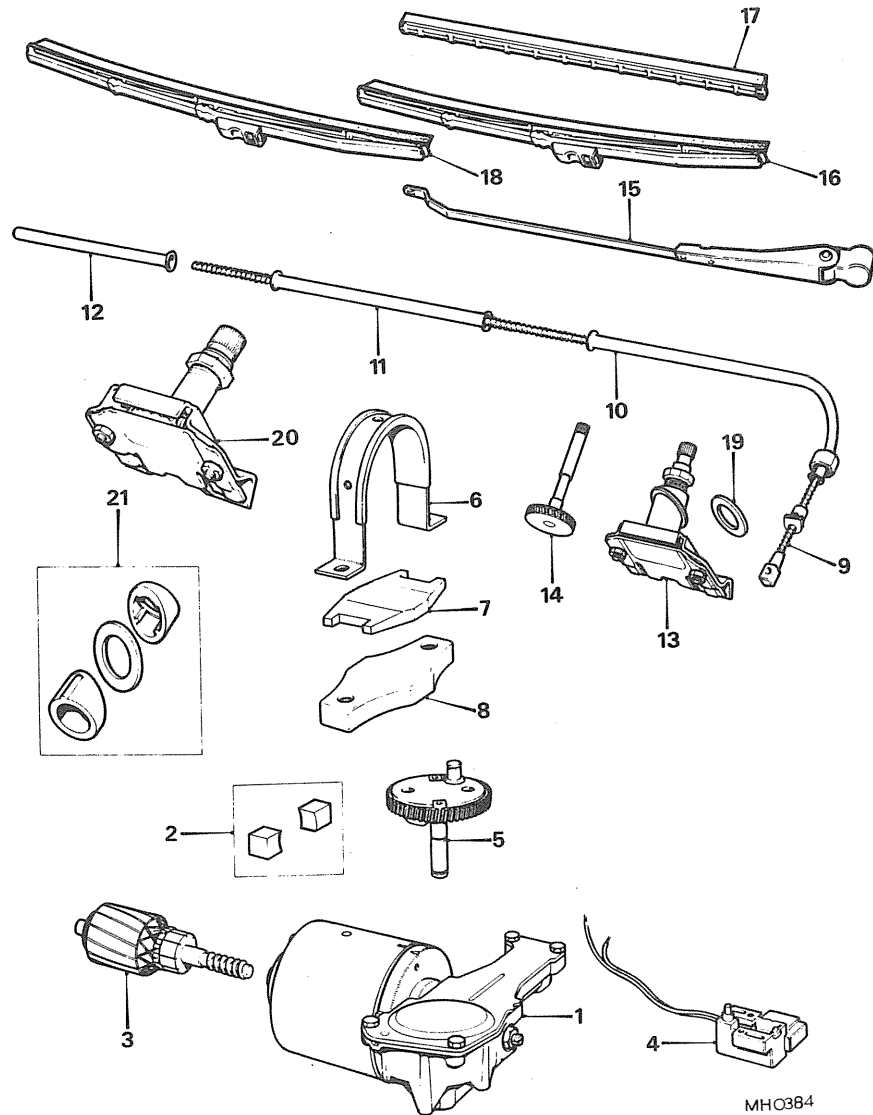


Ill. No.	Part No.	DESCRIPTION	Qty.	Change Point	REMARKS
WINDSCREEN WIPERS-G-HN4,G-HN5-TOURER-continued.					
15	BHA 4814	Arm-wiper-RHD.....	2	(C)G-HN4-138401 TO 167576	
	BHA 4816	Arm-wiper-LHD \$	2	(C)G-HN4-138401 TO 158230(N.America)	
				(C)G-HN4-138401 TO 167576(except N.America)	
13H	5460	Arm-wiper-LHD(N.America) \$	3	(C)G-HN4-158231 TO 164063	
15	BHA 4914	Arm-wiper-RHD \$	2	(C)G-HN4-167577 TO 187210	
				(C)G-HN5-187211 TO 246076	
15	BHA 4913	Arm-wiper-RHD	2	(C)G-HN5-246077 TO 294250	
15	BHA 5201	Arm-wiper-RHD \$	2	(C)G-HN5-294251 TO 410000	
	BHA 4915	Arm-wiper-LHD(except N.America).....	2	(C)G-HN4-167577 TO 187210	
				(C)G-HN5-187211 TO 294250	
	BHA 5203	Arm-wiper-LHD(except N.America) \$	2	(C)G-HN5-294251 TO 360300	
	BHA 4913	Arm-wiper-LHD(N.America)	3	(C)G-HN4-164064 TO 187210	
				(C)G-HN5-187211 TO 294250	
	BHA 5201	Arm-wiper-LHD(N.America) \$	3	(C)G-HN5-294251 TO 410000	
	BHA 5201	Arm-wiper-LHD (except N.America) \$	3	(C)G-HN5-360301 TO 410000	
16	GWB 202	BLADE ASSEMBLY-WIPER \$	2/3	(C)G-HN4-138401 TO 167576(EXCEPT N.America)	
17	57H 5311	Rubber	2/3	164063(N.America)	
				(C)G-HN4-167577 TO 187210	
16	GWB 141	BLADE ASSEMBLY-WIPER \$	2/3	(C)G-HN5-187211 TO 294250(except N.America)	
17	37H 4444	Rubber	2/3	(C)G-HN4-164064 TO 187210	
				(C)G-HN5-187211 TO 294250(N.America)	
18	GWB 216	Blade-wiper.....	2/3	(C)G-HN5-294251 TO 410000	

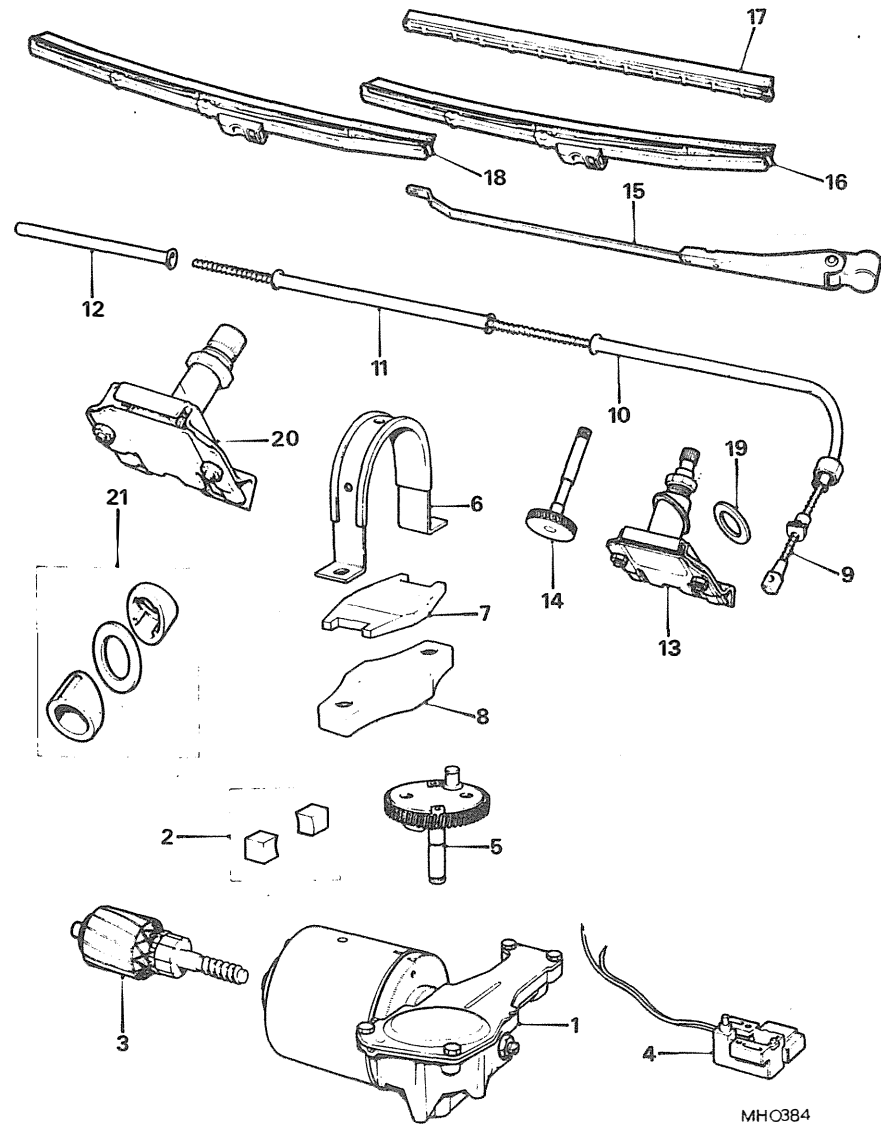
\$ This item is subject to safety regulations.



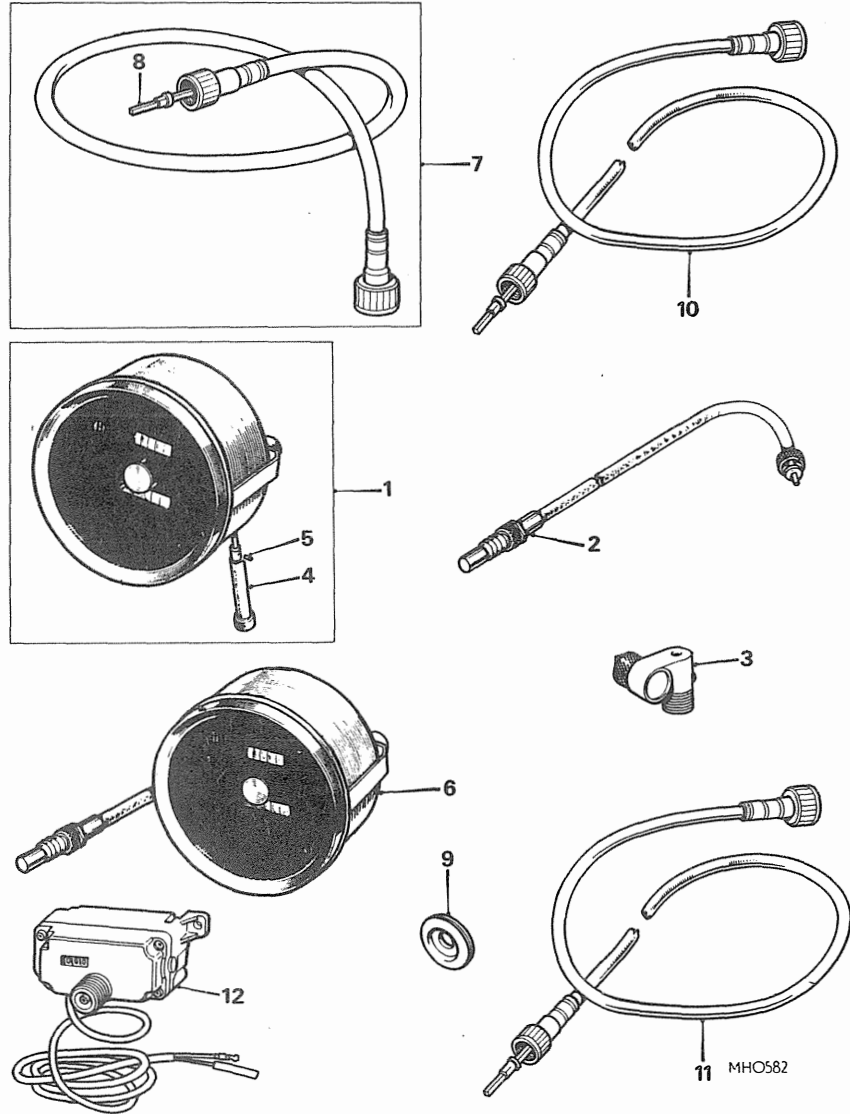
Ill. No.	Part No.	DESCRIPTION	Qty.	Change Point	REMARKS
WINDSCREEN WIPERS-G-HD4,G-HD5-GT AND V8					
1	37H 2732	MOTOR ASSEMBLY-WINDSCREEN			Use GEU 708
	GEU 708	WIPER(LESS GEAR)A/B AND D \$	NLA		
		MOTOR ASSEMBLY-WINDSCREEN			
		WIPER(LESS GEAR)	1		
2	517644	Brush A/B \$	1SET		
3	37H 2735	Armature	1		
4	37H 2734	Switch-parking A/B	1		
	RTC 198	Brush D	1		
	37H 6784	Switch-parking	1		
5	37H 3047	Gear-wiper motor-RHD	1] (C)G-HD4-138401 TO 158230 (C)G-HD4-158231 TO 187840 (C)G-HD5-187841 TO 410350 (C)G-D2D1-101 TO 2903
	37H 3048	Gear-wiper motor-LHD \$	1		
	37H 4308	Gear-wiper motor-RHD	1		
	37H 4309	Gear-wiper motor-LHD \$	1		
6	BHA 4790	Strap-wiper motor	1		
7	150844	Pad-wiper motor	1		
8	AHH 8766	Packing-wiper motor	NLA		
	SH 604111	Screw	2		
	LWZ 204	Washer-spring	2		
	PWZ 204	Washer-plain	2		
9	37H 5208	Cross-head(with rack)	1		Cut to required length.
10	AHH 8771	Casing-motor to wheelbox	NLA		Use AAU 1909
	AAU 1909	Casing-motor to wheelbox	1		Cut to length Required
11	AHH 7471	Casing-wheelbox to wheelbox	1		
12	13H 5412	Casing-wheelbox extension	1		
	BHA 4529	WHEELBOX ASSEMBLY \$	NLA		Use AAU 1073 and 37H 6879
14	27H 6425	Spindle and gear \$	2		
	FNZ 103	Nut	2		
19	27H 6428	Washer(rubber)	2		
	FNZ 103	Nut	4		
20	37H 6087	WHEELBOX(less spindle and bush)	NLA		Use prior to AAU 1073.
	AAU 1073	WHEELBOX	2		(C)G-HD5-369229 TO 410350 (C)G-D2D1-2186 TO 2903
21	37H 6879	Kit-bush	2		Use with 37H 6087 and AAU 1073.

NOTE. Reference must always be made to the suffix letter of the manufacturer's part number on the motor to ensure the correct ordering of component parts.

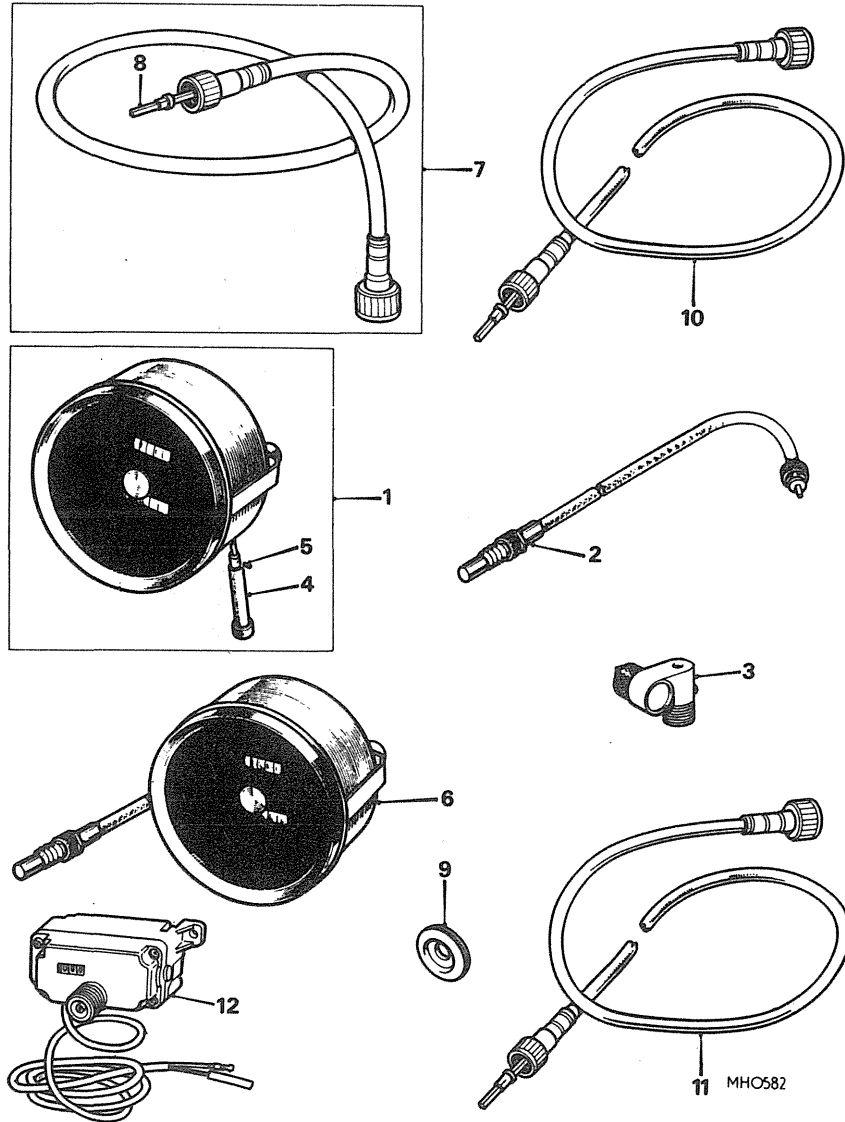
\$ This item is subject to safety regulations.



Ill. No.	Part No.	DESCRIPTION	Qty.	Change Point	REMARKS
WINDSCREEN WIPERS-G-HD4,G-HD5-GT AND V8-continued.					
15	BHA 4817	Arm-wiper-RHD	2] (C)G-HD4-138401 TO 158230	
	BHA 4819	Arm-wiper-LHD.....	2		
15	BHA 4881	Arm-wiper-RHD	2] (C)G-HD4-158231 TO 187840	
	BHA 4880	Arm-wiper-LHD \$	2		
15	BHA 5205	Arm-wiper-RHD \$	2] (C)G-HD5-187841 TO 296000	
	BHA 5204	Arm-wiper-LHD \$	2		
16	GWB 143	BLADE ASSEMBLY-WIPER \$	2] (C)G-HD5-296001 TO 410350	
17	17H 2473	Rubber	2		
18	GWB 144	Blade-wiper \$	2] (C)G-D2D1-101 TO 2903	
18	GWB 217	Blade-wiper \$	2		
					(C)G-HD4-158231 TO 187840 (C)G-HD5-187841 TO 296000 (C)G-HD5-296001 TO 410350 (C)G-D2D1-101 TO 2903

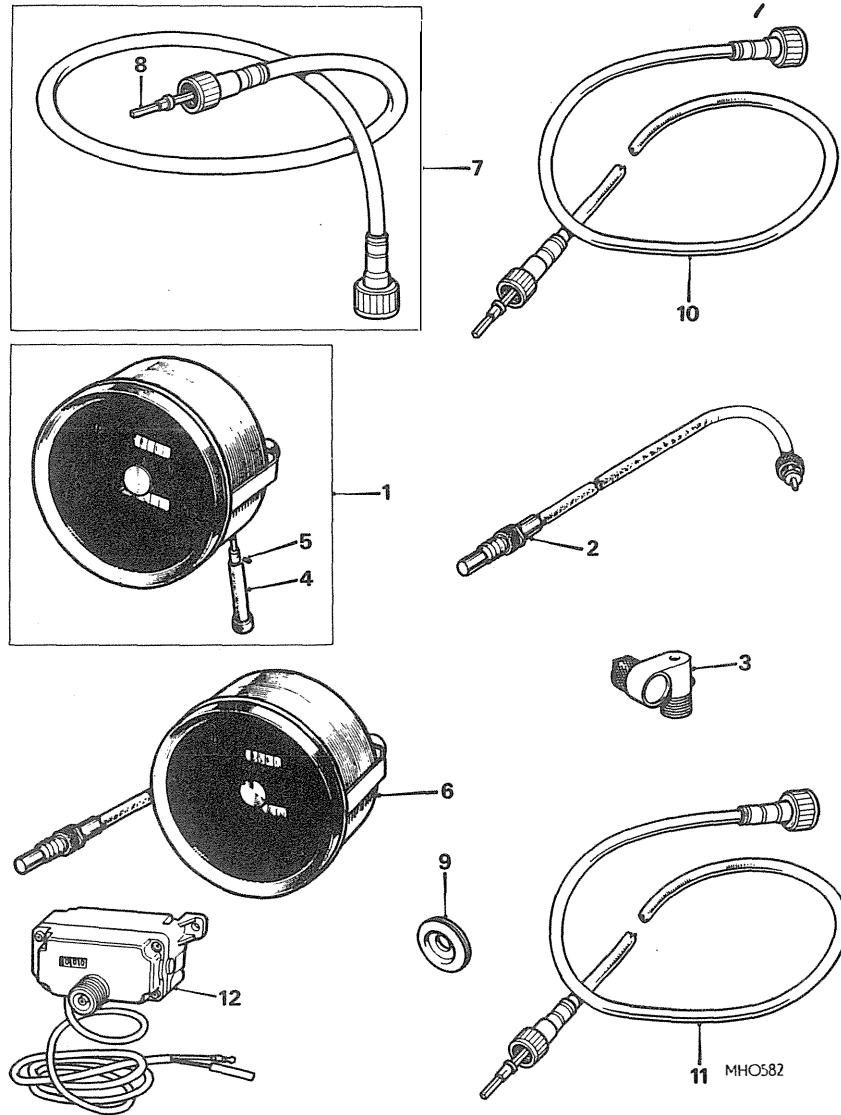


Ill. No.	Part No.	DESCRIPTION	Qty.	Change Point	REMARKS	
SPEEDOMETER.						
SPEEDOMETER ASSEMBLY						
1	BHA 4478	MPH-(SN6125/04)(SN6124/04A)(SN6144/00)-Standard drive	1		(C)G-HN3,G-HD3-101 TO 138400 (EXCEPT Germany).	
	BHA 4479	KPH-(SN6125/05)(SN6125/05A)(SN6144/01)-Standard drive	1	NLA		
1	BHA 4480	MPH-(SN6125/06)(SN6125/06A)(SN6144/02)-Overdrive	1			
	BHA 4481	KPH-(SN6125/07)(SN6125/07A)(SN6144/03)-Overdrive	1			
1	BHA 4574	MPH-(SN6144/05)	1			(C)G-HN3,G-HD3-101 TO 138400 (Germany)
	BHA 4636	KPH-(SN6144/15)	1			
	BHA 4637	KPH-(SN6144/13)	1			
	BHA 4638	KPH-(SN6144/14)	1			
1	BHA 4707	MPH-(SN6144/20)-Standard drive	1			(C)G-HN4,G-HD4-138401 TO 153877 Canada.
	BHA 4709	KPH-(SN6144/21)-Standard drive	1	NLA		
1	BHA 4812	MPH-(SN6144/23)-Overdrive	1	NLA	(C)G-HN4-138401 TO 187210	
	BHA 4813	KPH-(SN6144/24)-Overdrive	1			
1	BHA 4707	MPH-(SN6144/20)-Automatic	1		(C)G-HN5-187211 TO 332925 (C)G-HD4-138401 TO 187840 (C)G-HD5-187841 TO 332394	
	BHA 4709	KPH-(SN6144/21)-Automatic	1			
1	BHA 4868	MPH-(SN6144/28)-Automatic	1			
	BHA 4869	KPH-(SN6144/29)-Automatic	1			
1	BHA 5279	MPH-(SN6144/20BS) STANDARD DRIVE	1		(C)G-HN4,G-HD4-138401 TO 158230 (C)G-HN4-158231 TO 187210 (C)G-HD4-158231 TO 187840 (C)G-HN5-187211 TO 328100 (C)G-HD5-187841 TO 328800	
	BHA 5280	KPH-(SN6144/21BS)-STANDARD DRIVE	1			
	BHA 5281	MPH-(SN6144/23BS)-OVERDRIVE	1			
	BHA 5282	KPH-(SN6144/24BS)-OVERDRIVE	1			
1	BHA 5339	MPH-(SN5230/13)	1		(C)G-HN5-360301 TO 410000 (C)G-HD5-361001 TO 410350	
	BHA 5340	KPH-(SN5230/14)	1			
	13H 9205	Cable-trip-RHD	1			

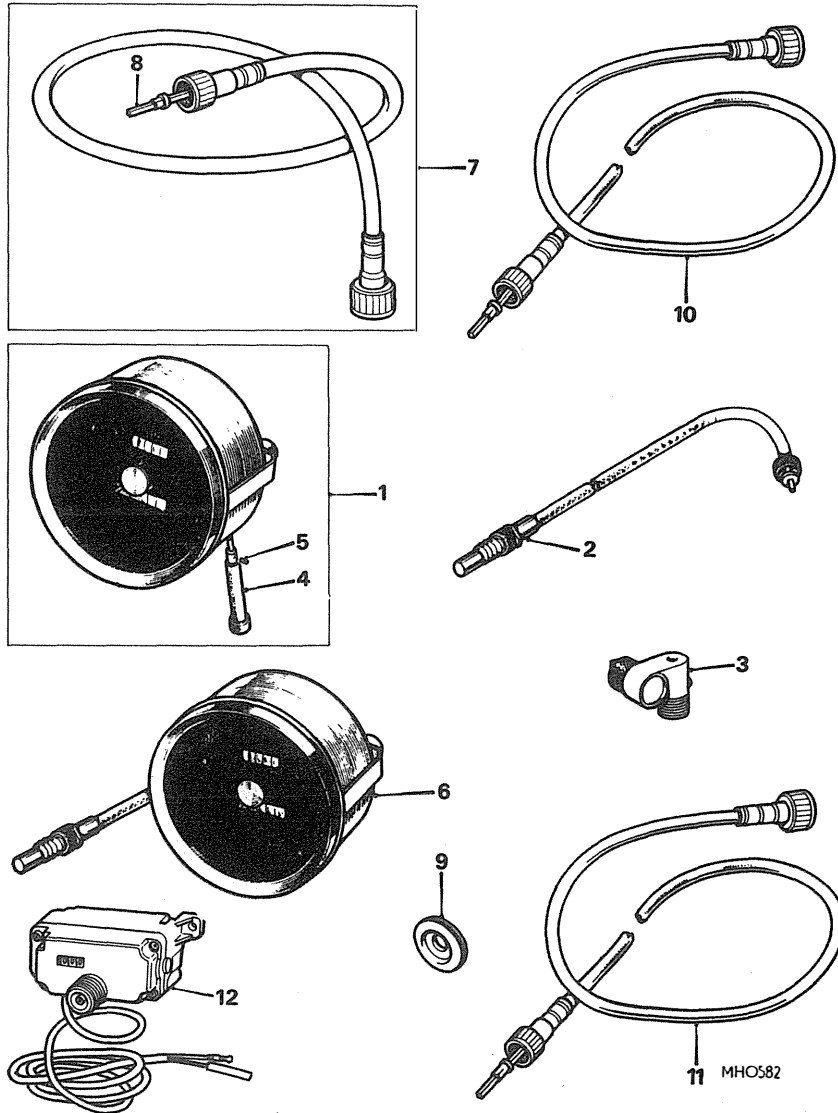


Ill. No.	Part No.	DESCRIPTION	Qty.	Change Point	REMARKS
SPEEDOMETER-continued.					
SPEEDOMETER ASSEMBLY					
	BHA 4924	KPH-(SN5227/20)- Standard drive	1	(C)G-HN5-187211 TO 258000 (C)G-HD5-187841 TO 258000 (C)G-HN5,G-HD5- 258001 TO 282419 (C)G-HN5,G-HD5- 282420 TO 410000	Sweden and Germany.
	BHA 4925	KPH-(SN5227/22)-Overdrive	1		
	BHA 4926	KPH-(SN5227/24)-Automatic	1		
	BHA 5087	KPH-(SN5231/08)-Overdrive	1		
	BHA 5164	KPH-(SN5230/95)-Overdrive	1		
6	37H 3766	MPH-(SN5226/05)(SN5226/ 03)(SN5227/07) \$- Standard drive	1	(C)G-HN4-138401 TO 187210 (C)G-HD4-138401 TO 187840 (C)G-HN5-187211 TO 258000 (C)G-HD5-187841 TO 258000	USA and Canada, USA for Germany.
6	37H 3768	MPH-(SN5226/08)(SN5227/ 12) \$-Overdrive	1		
6	37H 4180	MPH-(SN5227/16) \$- Automatic	1		
6	BHA 5084	MPH-(SN5231/00) \$- Standard drive	1	(C)G-HN5,G-HD5- 258001 TO 282419	
6	BHA 5086	MPH-(SN5231/04) \$- Overdrive	1		
6	BHA 5161	MPH-(SN5230/065)- Standard drive	1	(C)G-HN5,G-HD5- 282420 TO 410000	
6	BHA 5163	MPH-(SN5230/085)- Overdrive	1		
6	BHA 5210	MPH-(SN5230/11S)	1		
2	BHA 4772	Control-remote	1		V8(except Police).
3	BHA 4794	Drive-angle	1		
	BHA 5317	SPEEDOMETER ASSEMBLY- MPH-(Z 63973)	1		Use with speedometer assemblies BHA 4924,BHA 4925,BHA 4926, BHA 5084,BHA 5086 and BHA 5087. V8 Police(with XA5 175x14 tyres).

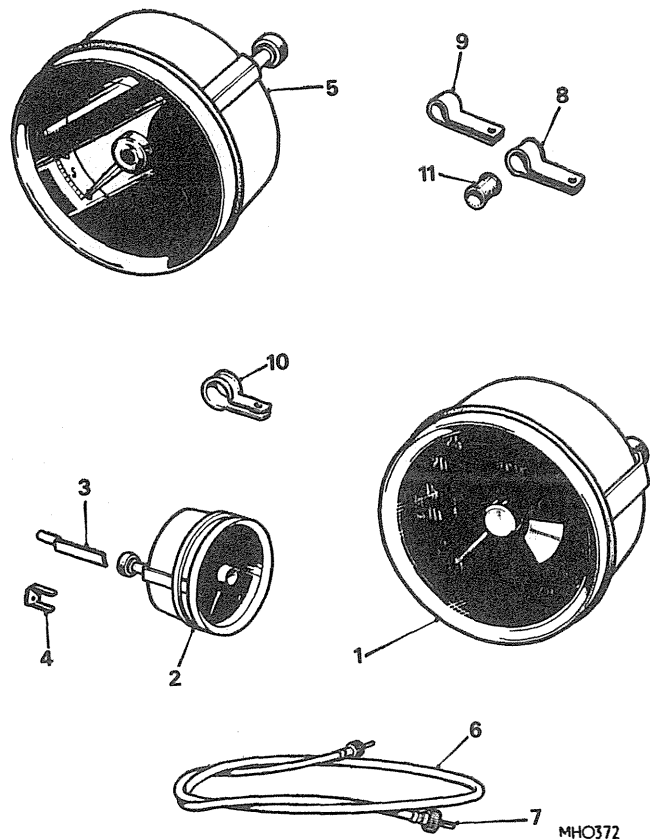
\$ This item is subject to safety regulations.



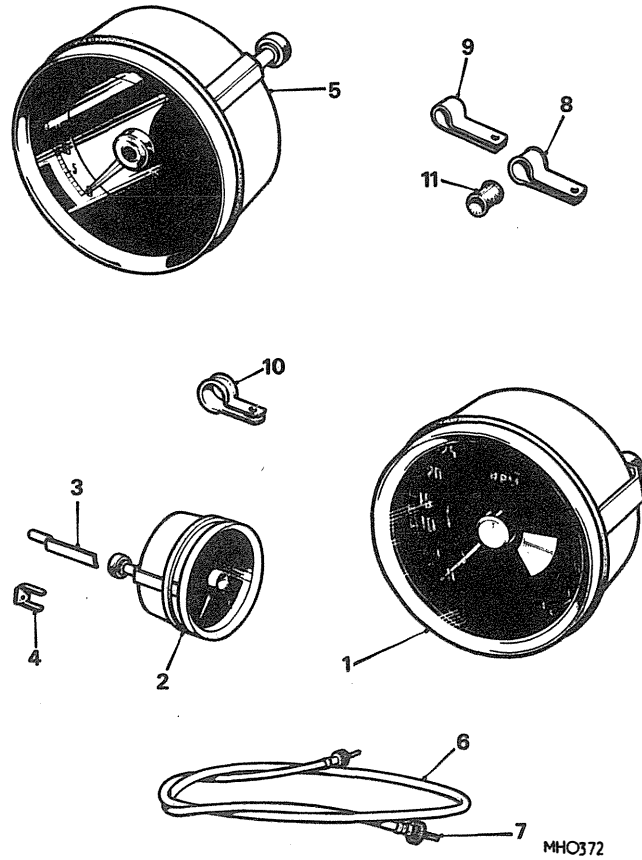
Ill. No.	Part No.	DESCRIPTION	Qty.	Change Point	REMARKS
SPEEDOMETER CABLES					
7	GSD 103	CABLE ASSEMBLY-SPEEDOMETER 1143mm(3'9")-STANDARD DRIVE.....	1	(C)G-HN3,G-HD3- 101 TO 9402 RHD, 101 TO 138400 LHD	
8	17H 961	Cable-inner	1		
7	GSD 111	CABLE ASSEMBLY-SPEEDOMETER- 1219mm(4')-STANDARD DRIVE.....	1	(C)G-HN3-9402 TO 138400 RHD	
8	17H 630	Cable-inner	NLA		
7	GSD 116	CABLE ASSEMBLY-SPEEDOMETER- 1422mm(4'8")-OVERDRIVE.....	1	(C)G-HN3-101 TO 10611	RHD
8	17H 689	Cable-inner	1		
7	GSD 117	CABLE ASSEMBLY-SPEEDOMETER- 1542mm(5'0")-OVERDRIVE.....	1	(C)G-HN3,G-HD3- 10612 RHD,101 LHD TO 138400	Use GSD 117.
8	17H 691	Cable-inner	NLA		
7	GSD 249	CABLE ASSEMBLY-SPEEDOMETER- 991mm(3'3")-STANDARD DRIVE.....	1	(C)G-HN4,G-HD4- 138401 TO 187210 (Tourer)187840(gt)	RHD and V8
8	27H 5926	Cable-inner	1		
7	GSD 116	CABLE ASSEMBLY-SPEEDOMETER- 1422mm(4'8")-OVERDRIVE.....	1	(C)G-HN5-187211 TO 328100	RHD
8	17H 689	Cable-inner	1		
7	GSD 103	CABLE ASSEMBLY-SPEEDOMETER- 1143mm(3'9")-AUTOMATIC	1	Automatic 187211 ON not Automatic (C)G-HD5-187841 TO 328800 Auto- matic 187841 ON not Automatic (C)G-D2D1-101 ON	
8	17H 961	Cable-inner	1		
7	BHA 4596	CABLE-SPEEDOMETER-1270mm (4'2")-STANDARD DRIVE.....	1	(C)G-HN4,G-HD4- 138401 TO 153877 Canada,138401 ON 187210(Tourer) 187840(GT)except N.America	LHD except USA Sweden,Germany AND V8
7	GSD 151	CABLE ASSEMBLY-SPEEDOMETER- 1829mm(6'0")-OVERDRIVE.....	1		
8	17H 810	Cable-inner	1	(C)G-HN5-187211 TO 328100 Automatic 187211 ON not Automatic (C)G-HD5-187841 TO 328800 Automatic 187841 ON not Automatic	
7	GSD 116	CABLE ASSEMBLY-SPEEDOMETER- 1422mm(4'8")-AUTOMATIC.....	1		
8	17H 689	Cable-inner	1	(C)G-HN5,G-HD5- 314902 ON	RHD with over- drive,not v8 Europe with OVERDRIVE,NOT Norway,Sweden or Germany
	PCR 809	Clip-cable to gearbox mounting	1		
	HZS 405	Screw	1		
	WA 108051	Washer-plain.....	1		
	WL 600041	Washer-spring	1		
	ACH 8529	Ferrule.....	1		



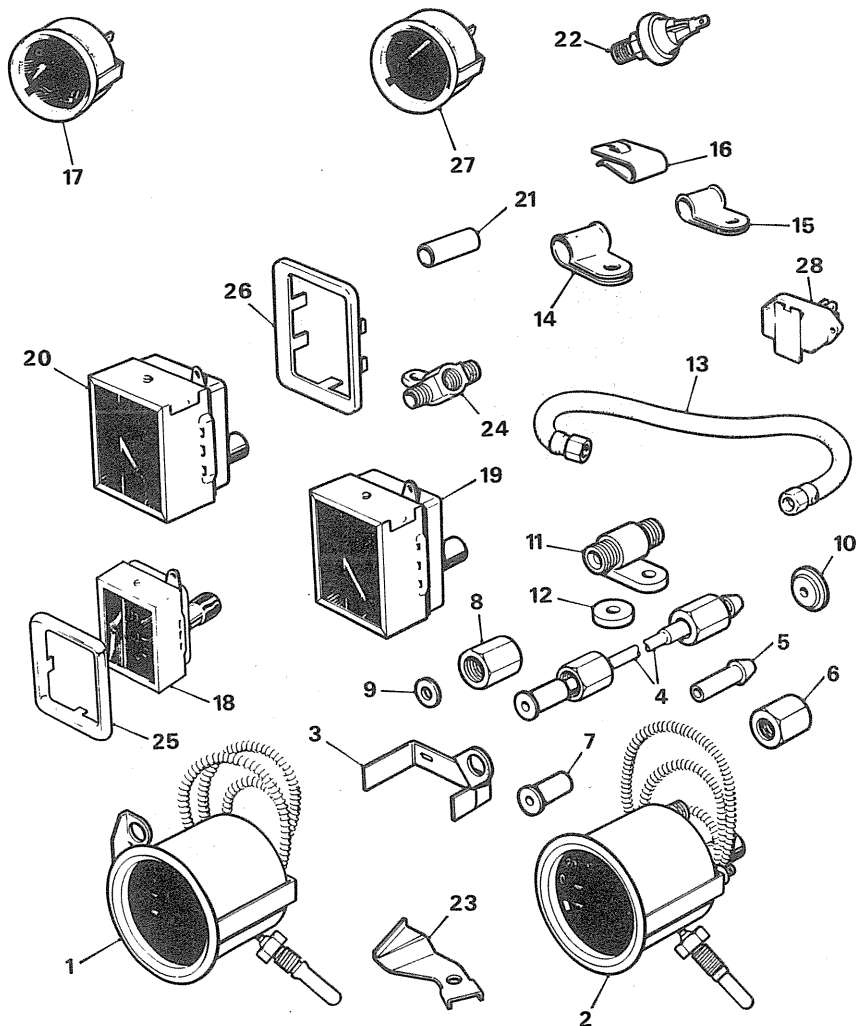
Ill. No.	Part No.	DESCRIPTION	Qty.	Change Point	REMARKS
SPEEDOMETER CABLES-continued					
7	GSD 104	CABLE ASSEMBLY-SPEEDOMETER-1372mm(4'6")-STANDARD DRIVE.....	1		(C)G-HN4-138401 USA,153878 Canada TO 187210 (C)G-HD4-138401 USA,153878 Canada TO 187840 (C)G-HN5-187211 TO 282419 (C)G-HD5-187841 TO 282419 USA,Canada,Sweden AND Germany. Not for vehicles fitted with Service Interval Indicator. Use GSD 117. When Service Interval Indicator IS FITTED. USA,Canada, Sweden,Germany and Norway. Finished for Standard vehicles at(C)G-HN5, G-HD5-282419
8	17H 843	Cable-inner.....	1		
7	GSD 145	Cable-speedometer-Standard drive.....	1		
7	GSD 151	CABLE ASSEMBLY-SPEEDOMETER-1829mm(6'0")-OVERDRIVE.....	1		
8	17H 810	Cable-inner.....	1		
7	GSD 117	CABLE ASSEMBLY-SPEEDOMETER-1524mm(5'0")-AUTOMATIC.....	1		
8	17H 691	Cable-inner.....	NLA		
10	BHA 5351	Cable-speedometer-gearbox to indicator-standard drive.....	1		
10	BHA 5360	Cable-speedometer-gearbox to indicator-overdrive.....	1		
11	BHA 5359	Cable-speedometer-indicator to speedo head.....	1		
12	13H 9407 PCR 507	Indicator-service interval.....	1		
		Clip-cable.....	1		
9	RFR 405	Grommet-cable.....	1		
9	RFN 305	Grommet-cable-Standard drive.....	1		



Ill. No.	Part No.	DESCRIPTION	Qty.	Change Point	REMARKS
TACHOMETER.					
1	BHA 4212	Tachometer.....	1	(C)G-HN3-101 TO 48765	
2	BHA 4380	TACHOMETER ASSEMBLY-ELECTRICAL(RV1/2401/00B).....	1	(C)G-HN3-48766 TO 138400	
3	27H 8215	Core	1		
4	13H 784	Loop-sleeve(nylon).....	1		
	LWZ 402	Washer-shakeproof	2		
5	BHA 4712	Tachometer(RV1/2430/00).....	1		(C)G-HN4, G-HD4-138401 TO 153877 Canada, 138401 TO 187210(Tourer) 187840(GT), Not N.America. (C)G-HN5-187211 TO 294250 (C)G-HD5-187841 TO 296000, Not N.America. (C)G-HN5-294251 TO 360300 Not USA, Canada, Sweden, Germany or V8. (C)G-HD5-296001 TO 361000 (C)G-HN5-360301 TO 410000 (C)G-HD5-361001 TO 410000 (C)G-HN4, G-HD4-138401 USA 153878 Canada TO 187210 (Tourer) 187841(GT). (C)G-HN5-187211 TO 258000 N.America, Sweden and Germany, Not V8. (C)G-HD5-187841 TO 258000 (C)G-HN5-258001 TO 294250 (C)G-HD5-258001 TO 296000 (C)G-HN5-294251 TO 410000 (C)G-HD5-296001 TO 410000 (C)G-D2D1-101 TO 2903. V8.
5	BHA 5220	Tachometer(RVC/2415/00AF).....	1		
5	BHA 5219	Tachometer(RVC/1410/00AF).....	1		
5	BHA 4684	Tachometer(RV1/1433/00).....	1		
5	BHA 5089	Tachometer(RV1/1439/00).....	1		
5	BHA 5219	Tachometer(RVC/1410/00AR)	1		
5	BHA 5212	Tachometer(RVC/1810/00).....	1		

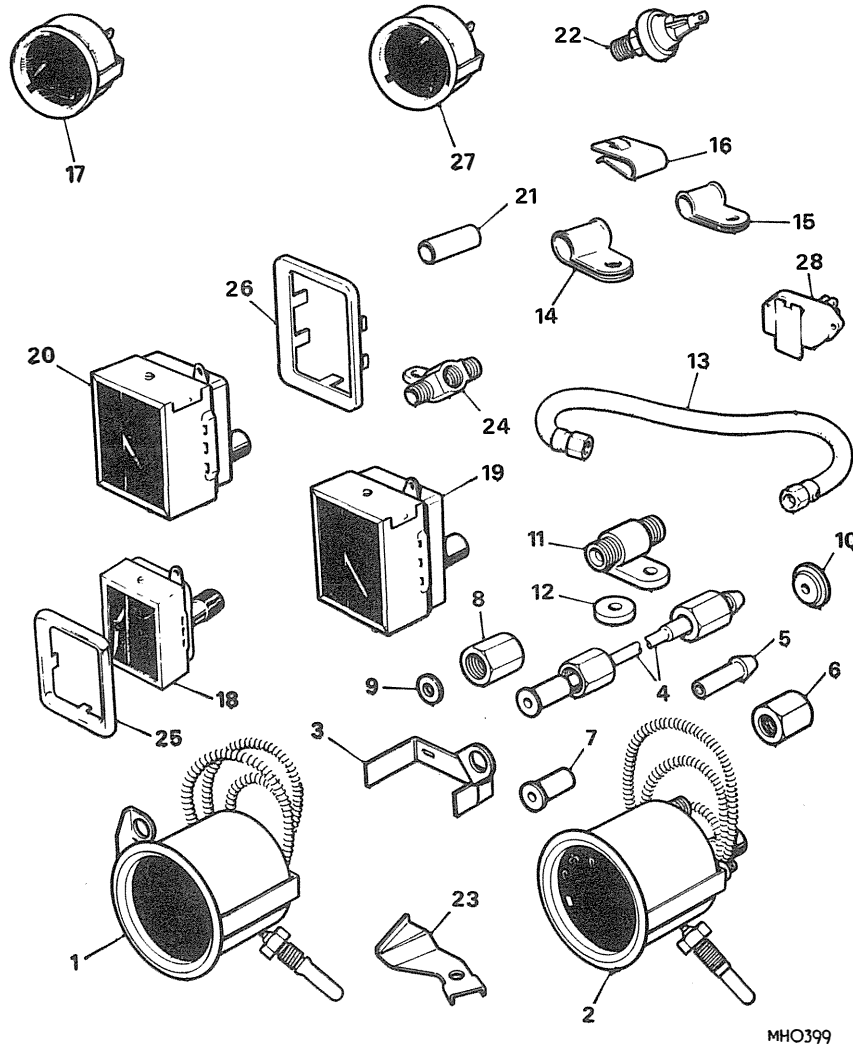


Ill. No.	Part No.	DESCRIPTION	Qty.	Change Point	REMARKS
TACHOMETER-continued					
6	BHA 4291	CABLE ASSEMBLY-TACHOMETER-1067mm(3'6")-RHD.....	NLA] (C)G-HN3-101 TO 48765	When overdrive is not fitted. When overdrive is fitted. Not V8
7	37H 1204	Cable-inner	1		
6	BHA 4314	Cable-tachometer-686mm(2'3")-LHD	NLA		
8	PCR 809	Clip-cable-speedometer-RHD	1		
9	AHH 7178	Clip-cable-speedometer-RHD	NLA		
10	PCR 507	Clip-cable-tachometer	1		
11	ACH 8529	Ferrule-clip	1		
	LWZ 204	Washer-spring	1		
	FNZ 104	Nut	1		
8	PCR 809	Clip-speedometer cable	1] (C)G-HN5,G-HD5-282420 TO 410000 (C)G-D2D1-101 TO 2903] USA,Canada, Sweden,Germany and V8.
	HZS 405	Screw	1		
	PWZ 105	Washer-plain.....	1		



MHO399

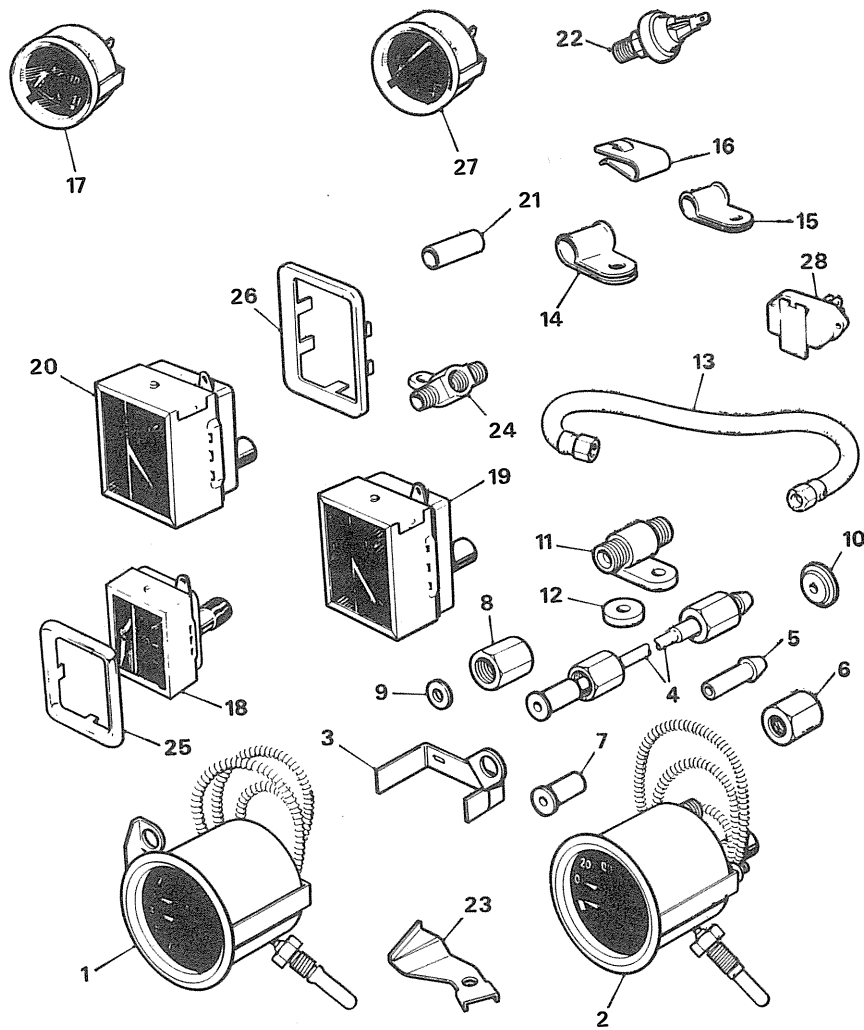
Ill. No.	Part No.	DESCRIPTION	Qty.	Change Point	REMARKS
OIL PRESSURE AND TEMPERATURE GAUGES-NOT V8					
1	BHA 4586	Gauge-oil pressure and temperature-Fahrenheit.....	1] (C)G-HN3,G-HD3-101 TO 138400	
1	BHA 4587	Gauge-oil pressure and temperature-Centigrade.....	1		
2	BHA 4900	Gauge-oil pressure and water temperature H-N-C.....	1		
3	BHA 4646	Strap-gauge fixing(with lamp holder)-RHD.....	1	(C)G-HN4-138401 TO 187210 (C)G-HN5-187211 TO 410000 (C)G-HD4-138401 TO 187840 (C)G-HD5-187841 ON (Except N.America)	Not N.America
4	AHH 6678	PIPE ASSEMBLY-GAUGE TO FLEXIBLE PIPE.....	1	(C)G-HN3,G-HD3-117263 TO 138400	For RHD vehicles fitted with cigar lighter.
5	ACA 5422	Nipple.....	1		
6	ACA 5421	Nut.....	1		
7	51K 2824	Union.....	1		
8	11B 2037	Nut.....	1		
9	2K 4936	Washer-pipe to gauge (leather).....	1		
10	AAA 643	Ferrule.....	1	(C)G-HN4,G-HD4-138401 TO 152140 (C)G-HN4-152141 TO 187210 (C)G-HN5-187211 ON (C)G-HD4-152141 TO 187840 (C)G-HD5-187841 ON	
10	AHC 805	Ferrule.....	NLA		
11	AAA 628	Connector-pipe.....	1		
	HZS 408	Screw.....	1		
	LWZ 204	Washer-spring.....	1		
12	AHH 6247	Spacer-screw.....	NLA		
13	AHH 6554	Pipe-flexible.....	1		
13	BHH 1958	Pipe-flexible.....	1	(C)G-HN5-397927 TO 410000 (C)G-HD5-396587 TO 410350.	Use prior to BHH 1958.
14	PCR 309	Clip-temperature gauge tube to bulkhead.....	1		
15	PCR 307	Clip-temperature gauge tube to bulkhead.....	1		
16	11G 2013	Clip-temperature gauge tube to engine.....	1		
	PMZ 307	Screw.....	1		
	LWZ 203	Washer-spring.....	1		



MHO399

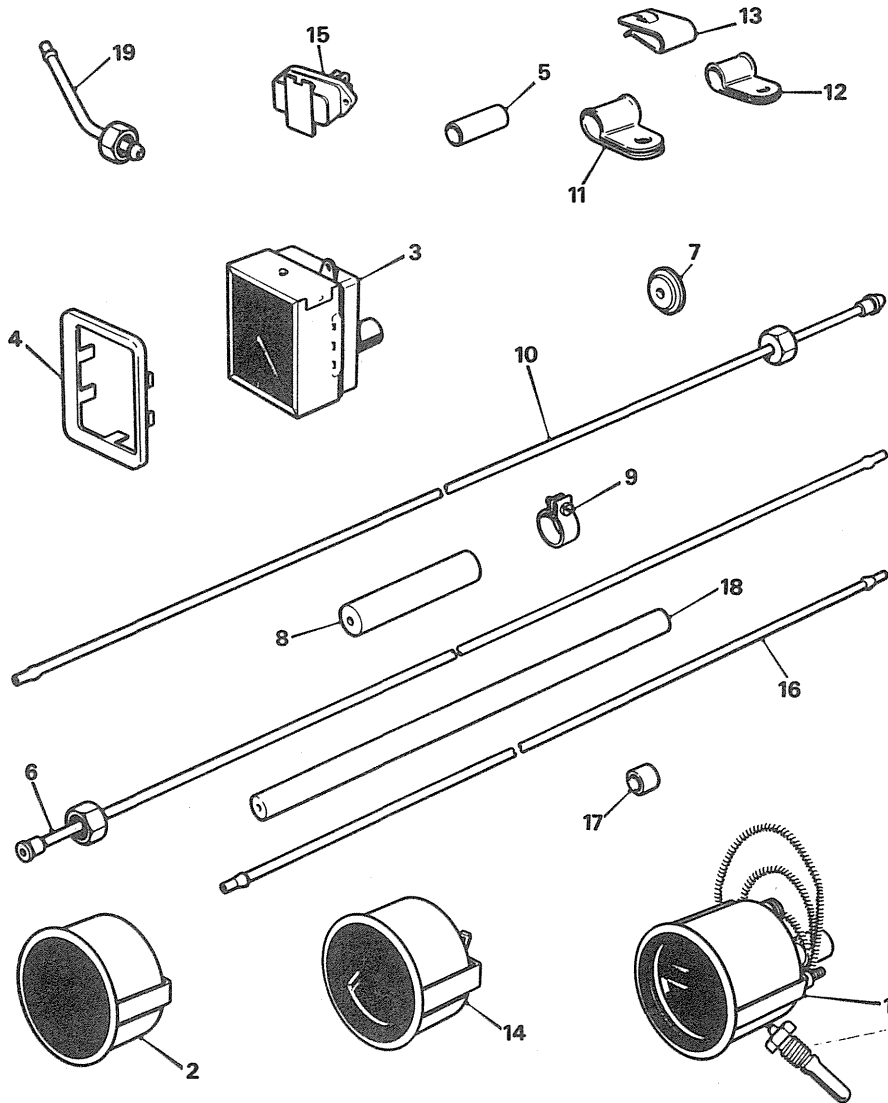
Ill. No.	Part No.	DESCRIPTION	Qty.	Change Point	REMARKS
OIL PRESSURE AND TEMPERATURE GAUGES-NOT V8-continued					
4	AHH 6678	Pipe-oil gauge.....	1	(C)G-HN5-258001 ON (C)G-HD5-258001 ON	N.America, Sweden and Germany
14	PCR 207	Clip.....	1		
10	BHH 551	Screw.....	1		
17	BHA 4686	Grommet.....	1		
		Gauge-temperature \$.....	1		
				(C)G-HN4-138401 187210 (C)G-HD4-138401 TO 187840 (C)G-HN5-187211 TO 258000 (C)G-HD5-187841 TO 258000	N.America,sweden and Germany
17	BHA 5090	Gauge-temperature \$.....	1	(C)G-HN5-258001 ON (C)G-HD5-258001 ON	N.America,Sweden and Germany
18	BHA 4687	Gauge-oil pressure(BP 1200/02).....	1	(C)G-HN4-138401 TO 187210 (C)G-HD4-138401 TO 187840 (C)G-HN5-187211 TO 258000 (C)G-HN5-187841 TO 258000	
19	BHA 5091	Gauge-oil pressure-lbs (PL 4402/00).....	1	(C)G-HN5-258001 ON (C)G-HD5-258001 ON	
20	BHA 5092	Gauge-oil pressure-kgms (PL 4402/01).....	NLA		
21	AHH 8772	Tube-distance.....	NLA	(C)G-HN4-138401 TO 187210 (C)G-HD4-138401 TO 187840 (C)G-HN5-187211 ON (C)G-HD5-187841 ON	
		Washer-plain.....	2		USA and Canada
		Washer-plain.....	4		
		Washer-spring.....	2		
		Nut.....	2		
		Pipe-flexible.....	1		
13	AHH 6554	Switch-oil pressure.....	1	(C)G-HN5-294251 ON	Use with oil gauge BHA 4687 Use with oil gauge BHA 4930 Use with oil gauges BHA 5091/2
22	BHA 5197	Bracket-connector.....	NLA	(C)G-HD5-296001 ON	
23	BHH 659	Connector-pipe.....	1		
24	BHH 649	Bezel-oil gauge.....	1		
25	BHA 4688	Bezel-oil gauge.....	1		
25	AHH 8922	Bezel-oil gauge.....	NLA		
26	BHH 537	Bezel-gauge.....	1		

\$ This item is subject to safety regulations



MHO399

Ill. No.	Part No.	DESCRIPTION	Qty.	Change Point	REMARKS
FUEL GAUGE-NOT V8					
27	BHA 4381	Gauge-fuel	1	(C)G-HN3-101 TO 48765	
27	BHA 4470	Gauge-fuel	1	(C)G-HN3-48766 TO 138400	
27	BHA 4736	Gauge-fuel	1	(C)G-HN4,G-HD4- 138401 TO 153877 Canada, (C)G-HN4,G-HD4- 138401 TO 187210 Tourer and 187840 GT not N.America (C)G-HN5-187211 ON (C)G-HD5-187841 ON not N.America, Sweden,Germany	
27	BHA 4685	Gauge-fuel	1	(C)G-HN4,G-HD4- 138401 USA, 153878 Canada to 187210 Tourer 187840 GT (C)G-HN5-187211 TO 258000 (C)G-HD5-187840 TO 258000 N.America,Germany and Sweden	N.America,sweden and Germany
27	BHA 4736	Gauge-fuel	1	(C)G-HN5-258001 ON (C)G-HD5-258001 ON	N.America,sweden and Germany Leaded fuel USA for use with unleaded fuel only.
	BHA 5342	Gauge-fuel	1		
28	27H 7819	Stabilizer-voltage.....	1	(C)G-HN3-48766 APPROX TO 138400 (C)G-HN4-138401 TO 187210 (C)G-HN5-187211 ON (C)G-HD4-138401 TO 187840 (C)G-HD5-187841 ON	
	PTZ 803	Screw	1		
28	BHA 4602	Stabilizer-voltage.....	1		
	PTZ 1004	Screw	1		



MHO441A

Ill. No.	Part No.	DESCRIPTION	Qty.	Change Point	REMARKS
OIL PRESSURE,TEMPERATURE AND FUEL GAUGE-V8					
1	BHA 5227	Gauge-oil pressure and temperature.....	NLA		Use prior to BHA 5331
1	BHA 5331	Gauge-oil pressure and temperature.....	1		(C)G-D2D1-1825 TO 2903
4	BHH 537	Bezel-oil indicator.....	1		
	PWZ 102	Washer-plain.....	2		
	PWZ 202	Washer-plain.....	4		
	LWZ 202	Washer-spring.....	2		
	CNZ 102	Nut.....	2		
6	BHH 1281	Pipe-gauge to connector.....	1		
7	AHC 805	Grommet.....	NLA		
8	AHA 6331	Connector-7.5cm(3")long.....	1		Cut to length
9	88G 308	Clip-connector.....	1		
10	BHH 1285	Pipe-connector to filter.....	1		(C)G-D2D1-101 TO 1148
16	BHH 1345	Pipe-connector to flexible hose.....	1		(C)G-D2D1-1149 TO 2903
11	PCR 207	Clip-pipe.....	1		
	PMZ 312	Screw.....	1		
	WL 700101	Washer-spring.....	1		
	FNZ 103	Nut.....	1		
17	AHC 735	Spacer.....	NLA		(C)G-D2D1-1149 TO 2903
18	BHH 1347	Hose-oil gauge pipe.....	1		
9	88G 308	Clip-hose to pipe.....	2		
19	AHA 6392	Pipe-oil gauge-engine to flexible pipe.....	1		
11	PCR 309	Clip-temperature gauge tube to bulkhead.....	1		
12	PCR 307	Clip-temperature gauge tube to bulkhead.....	1		
13	11G 2013	Clip-temperature gauge tube to engine.....	2		
	PMZ 307	Screw.....	2		
	LWZ 203	Washer.....	2		
14	BHA 4736	Gauge-fuel.....	1		
15	BHA 4602	Stabilizer-voltage.....	1		
	PTZ 1004	Screw.....	1		